

International Code Council



A117.1 – 2017 edition

**Public proposals received
On the first public review draft**

For 2022 virtual meetings

Date: January 2022

2023 A117.1 proposal list

| Proposal number | Proponent | Standard Sections | Committee Actions |
|---|--|--|-------------------|
| CHAPTER 1 - APPLICATION AND ADMINISTRATION | | | |
| 01-01 | Carpenter-Assisted Toileting and Bathing Wright – Adult changing | 102.1 | |
| 01-02 | Bentzen | 106.2.3 | |
| 01-03 | Roberts | 106.2.4 | |
| 01-04 | Paarlberg | 106.2.4, 106.2.5, 106.2.6, 106.2.7, 106.2.8, 106.2.9, 106.2.10, 106.2.12, 106.2.13 | |
| 01-05 | Paarlberg | 107.5 | |
| CHAPTER 2 - SCOPING | | | |
| CHAPTER 3 – BUILDING BLOCKS | | | |
| 03-01 | Boecker | 303.4(New) | |
| 03-02 | Paarlberg | 304.2, 305.2, 403.2, 403.4 | |
| 03-03 | Mazz | 304.3.1, 304.3.1.1, 304.3.1.1.1, 304.3.1.2, 304.3.1.2.1, 304.3.2, 304.3.2.1, 304.3.2.1.1, 304.3.2.2, 304.3.2.2.1, 305.3, 305.3.1, 305.3.2, 403.5.1, 403.5.2, 403.5.2.1, 403.5.2.2, 403.5.3, 403.5.3.1, 403.5.3.2, 403.5.4, 403.5.4.1, 403.5.4.2, Table 404.2.3.2, Table 404.2.3.3, Table 404.2.3.4, 404.2.3.5, 404.2.5, 409.4.1, 409.4.1.1, 409.4.1.2, 410.5.1, 410.5.1.1, 410.5.1.2, 503.3.2, 503.3.2.1, 503.3.2.2, 608.2.1.2, 608.2.1.2.1, 608.2.1.2.2, 802.4, 802.4.1, 802.4.2, 802.5.1, 802.7.2, 805.2.2, 805.2.2.1, 805.2.2.2, 1007.3.2, 1007.3.2.1, 1007.3.2.2, 1009.2.3.1, 1009.2.3.2 | |

| Proposal number | Proponent | Standard Sections | Committee Actions |
|-------------------------------------|------------------|--|--------------------------|
| 03-04 | Mazz | 304.3, 305.2, 404.2.3.1, 405.7.1, 406.2.1, 406.3.1, 502.5, 503.4, 802.2, 805.5.1, 1002.4.2, 1009.2.2, 1009.2.3.1, 1009.2.3.2, 1009.4.1, 1009.5.2 | |
| 03-05 | Paarlberg | 304.3.1.1, 304.3.2.1.1 | |
| 03-06 | Steinfeld | 305.5, 611.2, 804.5.3, 1104.11.3.1.1, 1104.12.2.1, 1104.12.2.3.3 | |
| 03-07 | Steinfeld | 307.2 | |
| 03-08 | Stratton | 307.3 | |
| 03-09 | Boecker | 307.4 | |
| 03-10 | Pitts | 309.1 | |
| 03-11 | Hilberry | 309.1 | |
| 03-12 | Thompson | 309.1 | |
| 03-13 | Tessmer | 309.1, 1104.9 | |
| 03-14 | Paarlberg | 309.2, 309.3 | |
| 03-15 | Mazz | 309.3 | |
| 03-16 | Stratton | 309.4 | |
| CHAPTER 4 – ACCESSIBLE ROUTE | | | |
| 04-01 | Hetzel | 402.2 | |
| 04-02 | Steinfeld | 403.5, 404.2.3 | |
| 04-03 | Paarlberg | 403.5, 403.5.3, 403.5.3.1, 403.5.3.2 | |
| 04-04 | Paarlberg | 403.5.1, 403.5.1.1(New), 403.5.1.2(New), 406.2.1, 406.3.1, 406.5.1 | |
| 04-05 | Mazz | 403.5.1, 404.2.3 | |
| 04-06 | Steinfeld | 404.2 | |
| 04-07 | Hilberry | 404.2.3.1 | |
| 04-08 | Paarlberg | 404.2.6.1 | |
| 04-09 | Paarlberg | 404.2.8 | |
| 04-10 | Hetzel | 404.3.8(New) | |
| 04-11 | Hetzel | 404.3.8(New) | |
| 04-12 | Paarlberg | 404.3.4 | |
| 04-13 | Paarlberg | 404.3.10(New) | |
| 04-14 | Paarlberg | 404.5.1 | |
| 04-15 | Paarlberg | Table 405.2 | |
| 04-16 | Pitts | 405.7.5 | |
| 04-17 | Bentzen | Figures 406.2(A), 406.2(B), 406.3(A), 406.3(B), 406.4, 406.5.2, 406.5.5 | |
| 04-18 | Paarlberg | 407, 407.1, 408.1, 409.1 | |

| Proposal number | Proponent | Standard Sections | Committee Actions |
|--|------------------|--|--------------------------|
| 04-19 | Brinkman | 107.5, 407.2, 407.2.1, 407.2.1.1, 407.2.1.2, 407.2.1.5, 407.2.1.6, 407.2.1.7, 407.2.3(New) through 407.2.3.10.1(New), 407.2.4.4(New), 407.2.4.4.1(New), 497.2.2.4, 407.2.3.1, 407.2.4, 407.4.7.1.1, 407.4.7.1.2, 407.4.7.1.2.1(New), 407.4.7.2, Figure 407.2.1.7 | |
| 04-20 | Brinkman | 407.2.1.1 | |
| 04-21 | Brinkman | 407.2.3.1 | |
| 04-22 | Boecker | 407.2.3.1 | |
| 04-23 | Brinkman | 407.4.6.4, 407.4.6.4.1, 407.4.6.4.2 | |
| 04-24 | Mazz | 407.4.7.1.1 | |
| 04-25 | Boecker | 407.4.7.1.2 | |
| 04-26 | Cid | 106.2.5(New), 407.4.10 | |
| 04-27 | Brinkman | 407.4.10.1, 407.4.10.3, 407.4.10.4(New), 407.4.10.4.1(New), 407.4.10.4.2(New) | |
| CHAPTER 5- GENERAL SITE AND BUILDING ELEMENTS | | | |
| 05-01 | Hilberry | 502.1, 502.2, 502.3, 502.4, 502.4.2 | |
| 05-02 | Boecker | 502.1 | |
| 05-03 | Hilberry | 502.2 | |
| 05-04 | Mazz | 502.7 | |
| 05-05 | Mazz | 502.9, 502.9.1, 502.9.1.1, 502.9.1.2, 502.9.2 | |
| 05-06 | Bentzen | Figures 502.9.1 and 502.9.2 | |
| 05-07 | Paarlberg | 502.1, 502.11, 502.11.1, 502.11.2, 503(New), 503.1.4 (New) | |
| 05-08 | Steinfeld | Figure 503.3(A) and 503.3(B) | |
| 05-09 | Paarlberg | 106.2.5(New), 504 (All) | |
| 05-10 | Bentzen | 504.6 | |
| 05-11 | Paarlberg | 504.6 | |
| 05-12 | Paarlberg | 504.9, 504.9.1, 504.9.2 | |
| 05-13 | Paarlberg | 405.11(New), 504.10 | |
| 05-14 | Cooper | 504.5, Figures 504.5(B) and 504.5(C) | |

| Proposal number | Proponent | Standard Sections | Committee Actions |
|---|------------------|--|--------------------------|
| 05-15 | Boecker | 505.5 | |
| 05-16 | Cooper | 505.10 | |
| 05-17 | Cooper | 505.10.1, 505.10.2, 505.10.3, Figures 505.10.3 | |
| 05-18 | Paarlberg | 505.10.1, 505.10.2, 505.10.3, Figures 505.10.3 | |
| 05-19 | Hilberry | 506.1, 1102.13 | |
| 05-20 | Mazz | 507.1 | |
| 05-21 | Bentzen | 507, 507.1 | |
| CHAPTER 6-PLUMBING ELEMENTS AND FACILITIES | | | |
| 06-01 | Paarlberg | 602.4.1 | |
| 06-02 | Paarlberg | 602.4.2 | |
| 06-03 | Steinfeld | 603.2.1 | |
| 06-04 | Mazz | 603.3 | |
| 06-05 | Mazz | 603.5 | |
| 06-06 | Boecker | 603.5 | |
| 06-07 | Paarlberg | 603.6 | |
| 06-08 | Thompson | 603.6 | |
| 06-09 | Boecker | 603.6 | |
| 06-10 | Mazz | 603.7(New) | |
| 06-11 | Boecker | 603.7(New) | |
| 06-12 | Mazz | 604.2, 604.11.2 | |
| 06-13 | Pauls | 604.2, 604.3.1, 604.5, 604.9.6, 604.10.1, 604.11.5, 604.12(New), 607.1, 607.2, 607.9(New), 607.9.1(New), 607.9.2(New), 608.1, 608.9(New), 608.9.1(New), 608.9.2(New), 608.9.3(New), 609, 609.1, 609.2.1, 609.2.2, 609.3, 609.4, 609.4.1, 609.4.2, 609.5, 609.6, 609.7, 609.8, 609.9(New) | |
| 06-14 | Steinfeld | 604.3.1, 1103.11.2.4.2, 1104.11.3.1.2.2.1, Figures 604.3, 1103.11.2.4(C), 1104.11.3.1.2(D) | |
| 06-15 | Mazz | 604.3.3 | |
| 06-16 | Boecker | 604.3.3 | |
| 06-17 | Boecker | 604.3.4(New) | |
| 06-18 | Steinfeld | 604.4, Figure 604.4 | |
| 06-19 | Thompson | 604.5.2 | |
| 06-20 | Mazz | 604.6 | |

| Proposal number | Proponent | Standard Sections | Committee Actions |
|------------------------|-------------------------------|---|--------------------------|
| 06-21 | Thompson | 604.6 | |
| 06-22 | Boecker | 604.9.1 | |
| 06-23 | Hilberry | 604.9.3, Figures 604.9.2.3, 604.9.3(B) | |
| 06-24 | Paarlberg | 604.9.3 | |
| 06-25 | Paarlberg | 604.9.3, 604.9.3.1, 604.10.3 | |
| 06-26 | Paarlberg | 604.9.5.1 | |
| 06-27 | Paarlberg | 604.9.5.1, 604.9.5.2 | |
| 06-28 | Boecker | 604.9.7 (New) | |
| 06-29 | Boecker | 604.10.5(New), 604.10.6(New) | |
| 06-30 | Boecker | 604.10.5(New), 703.6.3.5(New), Figure 703.6.3.5(New) | |
| 06-31 | Paarlberg | 605.5(New), 605.5.1(New), 605.5.2(New), 605.5.3(New) | |
| 06-32 | Boecker | 605.3, 605.4 | |
| 06-33 | Paarlberg | 606.2 | |
| 06-34 | Thompson | 606.4 | |
| 06-35 | Thompson | 606.5 | |
| 06-36 | Hirsch | 607.2, 607.3(New), 607.5, Figures 607.2(A), 607.2(B), 607.3(New), 607.5, 1103.2.5.1(A), 1103.2.5.1(B) | |
| 06-37 | Anderson – Accessible bathing | 607.2, Figure 607.2(C)(New) | |
| 06-38 | Anderson – Accessible bathing | 607.3 | |
| 06-39 | Mazz | 607.4 | |
| 06-40 | Mazz | 607.4.1.2.1, 607.4.2.3 | |
| 06-41 | Anderson – Accessible bathing | 607.4.3(New), 607.4.3.1(New), 607.4.3.2(New), 607.4.3.2.1(New), 607.4.3.2.2(New), Figures 607.4.3(A) and (B)(New) | |
| 06-42 | Reed | 607.5, 607.5.1(New), 607.5.2(New), Figure 607.5, 607.5.1(New) | |
| 06-43 | Thompson | 607.5, 608.4, 608.4.1, 608.4.2, 608.4.3 | |
| 06-44 | Paarlberg | 607.5, 608.4, 608.4.1, 608.4.2, 608.4.3 | |

| Proposal number | Proponent | Standard Sections | Committee Actions |
|------------------------|-------------------------------|---|--------------------------|
| 06-45 | Paarlberg | 607.5, 607.6, 609.3, Figures 607.6(A)(New), 607.6(B)(New) | |
| 06-46 | Anderson – Accessible bathing | 607.5, 607.6, Figure 607.5(B)(New) | |
| 06-47 | Thompson | 607.6, 608.5 | |
| 06-48 | Paarlberg | 607.6, 608.5 | |
| 06-49 | Reed | 607.6 | |
| 06-50 | Reed | 607.6 | |
| 06-51 | Paarlberg | 607.8, 608.8 | |
| 06-52 | Mazz | 607.4(New) | |
| 06-53 | Anderson – Accessible bathing | 608.2.1.1, Figure 608.2.1.1 | |
| 06-54 | Hirsch | 608.2.1.2, 608.2.1.2.1, 608.2.1.3(New), 608.4.1, Figures 608.2.1.2(A), 608.2.1.2(B), 608.2.1.2(C), 608.2.1.3(New), 608.4.1 | |
| 06-55 | Boecker | 608.2.1.2.1 | |
| 06-56 | Anderson | 608.2.2(New), 608.2.2.1(New), 608.2.2.2(New), 608.2.2.3(New), 608.3.2(New), 608.3.2.1(New), 608.3.2.2(New), 608.3.2.3(New), 608.4.2(New), 610.3, 610.3.3(New) | |
| 06-57 | Paarlberg | 608.2.2.2, 608.2.2.3, 806.3.2, 608.3.2.1, 608.3.2.4(New), 608.3.2.5(New), 608.3.2.6(New), 608.4.2, 608.4.3(New), Figure 608.2.2.1, 608.2.2.1(B)(New), 608.2.2.2, 608.3.2(A), 608.3.2(B), 608.3.2(C), 608.3.2(D)(New), 608.4.2, 608.4.3(New) | |
| 06-58 | Anderson – Accessible bathing | 608.2.2.1 | |
| 06-59 | Anderson – Accessible bathing | 608.2.2.1 | |

| Proposal number | Proponent | Standard Sections | Committee Actions |
|------------------------|--|---|--------------------------|
| 06-60 | Boecker | 608.2.3.2(New) | |
| 06-61 | Paarlberg | 608.4.1, 608.4.2, 608.4.3, 608.5, 609.3, Figures 608.4.1, 608.4.1(B), 608.4.3(C)(New), 608.4.3(D)(New) | |
| 06-62 | Anderson – Accessible bathing | 608.4.1, Figure 608.4.1 | |
| 06-63 | Reed | 608.4.2 | |
| 06-64 | Reed | 608.5 | |
| 06-65 | Reed | 608.5 | |
| 06-66 | Ross | 608.6, 608.6.1(New) | |
| 06-67 | Paarlberg | 608.7, 1103.5, 1103.11.2.5, 1103.11.2.5.3(New), 1104.11.3.1.3, 1104.11.3.1.3.3, 1104.11.3.1.3.4(New), 1104.11.3.2.3, 1104.11.3.2.3.3(New) | |
| 06-68 | Anderson – Accessible bathing | 608.9(New), 608.9.1(New), 608.9.2(New), 608.9.3(New) | |
| 06-69 | Paarlberg | 609 (New), 609.1(New), 609.2(New), 609.3(New), 609.4(New) | |
| 06-70 | Thompson | 609.3 | |
| 06-71 | Mazz | 609.4, 609.4.1, 609.4.2 | |
| 06-72 | Boecker | 609.4.1 | |
| 06-73 | Paarlberg | 609.7.1(New) | |
| 06-74 | Anderson – Accessible bathing | 610.2.1(New), 610.2.2(New), 610.2.3(New), Figures 610.2(A), 610.2(B), 610.2.3(New) | |
| 06-75 | Boecker | 610.5(New) | |
| 06-76 | Paarlberg | Figures 608.2.1.1, 608.2.1.2(A), 608.2.1.2(B), 608.2.1.2(C), 608.3.1(B), 608.3.2(B), 608.3.3(B), 1104.11.3.1.3.3(A), 1104.11.3.1.3.3(B) | |
| 06-77 | Carpenter-Assisted toileting and bathing | 611(New) | |
| 06-78 | Kump | 611.2 | |

| Proposal number | Proponent | Standard Sections | Committee Actions |
|--|-----------------------|--|--------------------------|
| 06-79 | Paarlberg | 611.3, 611.4 | |
| 06-80 | Mazz | 611.4 | |
| 06-81 | Mazz | 612.2 | |
| 06-82 | Mazz | 613(New) | |
| 06-83 | Wright-Adult changing | 106.2.2(New), 106.2.4(New), 106.2.5(New), 613(New) | |
| CHAPTER 7 COMMUNICATION ELEMENTS AND FEATURES | | | |
| 07-01 | Bentzen | 703.1.2 | |
| 07-02 | Bentzen | 703.1.3 | |
| 07-03 | Paarlberg | 703.2.4 (New), 703.3.5 (New) | |
| 07-04 | Bentzen | 703.3.11, 703.3.12(New) | |
| 07-05 | Mazz | 703.6.3.3, Figures 703.6.3.3(A)(New), 703.6.3.3 | |
| 07-06 | Bauman | 703.6.3.4(New), FIGURE 703.6.3.4(New) | |
| 07-07 | Paarlberg | 703.7.14 | |
| 07-08 | Bentzen | 703.8 | |
| 07-09 | Bauman | 704.7.1(New) | |
| CHAPTER 8-SPECIAL ROOMS AND SPACES | | | |
| 08-01 | Bauman | 802.11.6(New) | |
| 08-02 | Paarlberg | 804.2, 804.2.2, 804.2.3 | |
| 08-03 | Scully | 804.2, 1103.12.1, 1104.12.1.1 | |
| 08-04 | Mazz | 804.2.1, 804.2.2 | |
| 08-05 | Mazz | 804.3 | |
| 08-06 | Boecker | 804.5.5.1 | |
| 08-07 | Mazz | 804.6(New), 905.1, 905.4, 905.5(New), 1102.14, 1103.14 | |
| 08-08 | Bentzen | 805.2.5(New) | |
| 08-09 | Bentzen | 805.6 | |
| 08-10 | Bentzen | 805.6.1, 805.6.2 | |
| CHAPTER 9-FURNISHINGS AND EQUIPMENT | | | |
| 09-01 | Paarlberg | 903.2 | |
| 09-02 | Mazz | 904.3 | |
| 09-03 | Paarlberg | 904.4.2, 904.4.3, 904.4.5(New) | |
| 09-04 | Mazz | 904.6 | |
| 09-05 | Paarlberg | 908(New) | |
| CHAPTER 10-RECREATIONAL FACILITIES | | | |
| 10-01 | Paarlberg | 1008.4.1.3.1 | |
| 10-02 | Boecker | 1008.4.3.4 | |
| 10-03 | Paarlberg | 1009, 1009.1, 1009.1.1, 1009.1.3 | |

| Proposal number | Proponent | Standard Sections | Committee Actions |
|--|------------------|--|--------------------------|
| 10-04 | Boecker | 1009.2.1 | |
| 10-05 | Boecker | 1009.2.2 | |
| 10-06 | Paarlberg | 1009.7(New) | |
| CHAPTER 11- DWELLING UNITS AND SLEEPING UNITS | | | |
| 11-01 | Paarlberg | 1102.3.2, 1103.3.2 | |
| 11-02 | Paarlberg | 1102.5, 1103.5 | |
| 11-03 | Paarlberg | 1102.5 | |
| 11-04 | Boecker | 1102.15.1, 1102.15.2 | |
| 11-05 | Boecker | 1103.3.2 | |
| 11-06 | Paarlberg | 1103.5 | |
| 11-07 | Paarlberg | 1103.9 | |
| 11-08 | Steinfeld | 1103.9, 1104.9 | |
| 11-09 | Steinfeld | 1103.11.2.2, 1104.11.3.1.1 | |
| 11-10 | Pilorz | 1103.11.2.5.1 | |
| 11-11 | Paarlberg | 1103.11.2.5.2 | |
| 11-12 | Steinfeld | 1103.11.2.5.2 | |
| 11-13 | Mazz | 1103.12.1.1, 1103.12.1.2, 1104.12.1.1, 1104.12.1.2 | |
| 11-14 | Paarlberg | 1103.12.1.3(New), 1104.12.1.3(New) | |
| 11-15 | Steinfeld | 1103.12.3.1, 1103.12.3.2, Figure 1103.12.3 | |
| 11-16 | Steinfeld | 1103.12.4.1, 1103.12.4.2, Figure 1103.12.4 | |
| 11-17 | Boecker | 1104.4.3(New) | |
| 11-18 | Paarlberg | 1104.5.1 | |
| 11-19 | Boecker | 1104.9 | |
| 11-20 | Pitts | 1104.9 | |
| 11-21 | Boecker | 1104.10.1 | |
| 11-22 | Paarlberg | 1104.11.1.3.1.1 | |
| 11-23 | Paarlberg | 1104.11.3.1, 1104.11.3.1.3.3 | |
| 11-24 | Mazz | 1104.11.3.1.3.3 | |
| 11-25 | Pilorz | 1104.11.3.1.3.3 | |
| 11-26 | Pilorz | 1104.11.3.1.3.3 | |
| 11-27 | Hirsch | 1104.11.3.1.3, 1104.11.3.1.3.1, 1104.11.3.1.3.2, 1104.11.3.1.3.3, 1104.11.3.2.3.1; Figures 1104.11.3.1.3.1, 1104.11.3.1.3.2, 1104.11.3.1.3.3(A), 1104.11.3.1.3.3(B), 1104.11.3.2.3.1 | |

| Proposal number | Proponent | Standard Sections | Committee Actions |
|---------------------------------|------------------------------|--|-------------------|
| 11-28 | Paarlberg | 1004.11.3.1.3, 1004.11.3.1.3.3, 1004.11.3.1.3.4(New) | |
| 11-29 | Roberts | 1106.2 | |
| 11-30 | Roberts | 1106.2.5(New), 1106.2.1 (New) | |
| 11-31 | Roberts | 1106.2.5(New), 1106.3 | |
| 11-32 | Feibleman | 1106.3, 1106.6 | |
| 11-33 | Pitts | 1106.5.1 | |
| APPENDIX A-SCOPING (NEW) | | | |
| A-01 | Hilberry – Scoping committee | Appendix A1(New) and A2(New) | |
| A-02 | Hilberry | A202.9.2.4(New), Table 202.9.2.4(New) | |
| A-03 | Hilberry | A202.10.1.1(New) | |
| A-04 | Bauman | A202.16.12(New), A202.16.12.1(New), A202.16.12.2 (New) | |
| A-05 | Bauman | A202.17.3.2(New) | |
| A-06 | Bauman | A202.17.4.2 (New) | |
| A-07 | Hilberry | A202.18.2(New) | |

The purpose of the crossover list is to identify section that are in proposals outside of where you would typically look for those sections.

Crossover List

| Standard proposal number | Sections |
|---|--|
| CHAPTER 1 - APPLICATION AND ADMINISTRATION | |
| 06-83 | 106.2.2(New), 106.2.4(New), 106.2.5(New) |
| 04-26 | 106.2.5(New) |
| 05-09 | 106.2.5(New) |
| 11-30 | 106.2.5(New) |
| 11-31 | 106.2.5(New) |
| 04-19 | 107.5 |
| CHAPTER 4 – ACCESSIBLE ROUTE | |
| 03-02 | 403.2 |
| 03-02 | 403.4 |
| 03-03 | 403.5.1, 403.5.2, 403.5.2.1, 403.5.2.2, 403.5.3, 403.5.3.1, 403.5.3.2, 403.5.4, 403.5.4.1, 403.5.4.2 |

| Standard proposal number | Sections |
|--|---|
| 03-04 | 404.2.3.1 |
| 03-03 | Table 404.2.3.2, Table 404.2.3.3, Table 404.2.3.4, 404.2.3.5, 404.2.5 |
| 03-04 | 405.7.1 |
| 05-13 | 405.11 |
| 03-04 | 406.2.1, 406.3.1 |
| 03-03 | 409.4.1, 409.4.1.1, 409.4.1.2, 410.5.1, 410.5.1.1, 410.5.1.2 |
| CHAPTER 5- GENERAL SITE AND BUILDING ELEMENTS | |
| 03-04 | 502.5 |
| 03-03 | 503.3.2, 503.3.2.1, 503.3.2.2, |
| 03-04 | 503.4 |
| CHAPTER 6-PLUMBING ELEMENTS AND FACILITIES | |
| 03-03 | 608.2.1.2, 608.2.1.2.1, 608.2.1.2.2 |
| 03-06 | 611.2 |
| CHAPTER 7 COMMUNICATION ELEMENTS AND FEATURES | |
| 06-30 | 703.6.3.5(New), Figure 703.6.3.5(New) |
| CHAPTER 8-SPECIAL ROOMS AND SPACES | |
| 03-04 | 802.2 |
| 03-03 | 802.4, 802.4.1, 802.4.2, 802.5.1, 802.7.2 |
| 03-06 | 804.5.3 |
| 03-04 | 805.5.1 |
| 03-03 | 805.2.2, 805.2.2.1, 805.2.2.2 |
| CHAPTER 9-FURNISHINGS AND EQUIPMENT | |
| 08-07 | 905.1, 905.5, 905.5(New) |
| CHAPTER 10-RECREATIONAL FACILITIES | |
| 03-04 | 1002.4.2 |
| 03-03 | 1007.3.2, 1007.3.2.1, 1007.3.2.2, |
| 03-04 | 1009.2.2 |
| 03-03, 03-04 | 1009.2.3.1 |
| 03-03, 03-04 | 1009.2.3.2 |
| 03-04 | 1009.4.1 |
| 03-04 | 1009.5.2 |
| 06-69 | 1009.7(New) |
| CHAPTER 11- DWELLING UNITS AND SLEEPING UNITS | |
| 05-19 | 1102.13 |
| 08-07 | 1102.14 |

| Standard proposal number | Sections |
|---------------------------------|---|
| 06-67 | 1103.5 |
| 06-14 | Figure 1103.11.2.4(C) |
| 06-14 | 1103.11.2.4.2 |
| 06-67 | 1103.11.2.5, 1103.11.2.5.3(New) |
| 06-36 | Figures 1103.2.5.1(A), 1103.2.5.1(B) |
| 08-03 | 1103.12.1 |
| 08-07 | 1103.14 |
| 03-13 | 1104.9 |
| 03-06 | 1104.11.3.1.1 |
| 06-14 | Figure 1104.11.3.1.2(D) |
| 06-14 | 1104.11.3.1.2.2.1 |
| 06-67 | 1104.11.3.1.3, 1104.11.3.1.3.3, 1104.11.3.1.3.4(New), 1104.11.3.2.3, 1104.11.3.2.3.3(New) |
| 06-76 | Figures 1104.11.3.1.3.3(A), 1104.11.3.1.3.3(B) |
| 08-03 | 1104.12.1 |
| 03-06 | 1104.12.2.1, 1104.12.2.3.3 |
| | |

01-01 – 2021

102.1

Proponent: Amy Carpenter, representing Assisted Toileting and Bathing work group and Laurel Wright, representing the Adult Changing Facilities work group

Revise as follows:

SECTION 102 PURPOSE

102.1 General. The technical criteria in Chapters 3 through 10, Sections 1102, 1103 and 1106 of this standard make sites, facilities, buildings and elements accessible to and usable by people with such physical disabilities as the inability to walk, difficulty walking, reliance on walking aids, blindness and visual impairment, deafness and hearing impairment, incoordination, reaching and manipulation disabilities, lack of stamina, difficulty interpreting and reacting to sensory information, and extremes of physical size. The intent of these sections is to allow a person with a physical disability to independently get to, enter, and use a site, facility, building or element.

The intent of Sections 611(Assisted toileting and bathing) and 613 (Adult changing stations) is to allow for assistance by a care giver where a person may not be able to independently use toileting or bathing facilities.

Section 1104 of this standard provides criteria for Type B units. These criteria are intended to be consistent with the intent of the criteria of the U.S. Department of Housing and Urban Development (HUD) Fair Housing Accessibility Guidelines. The Type B units are intended to supplement, not replace, Accessible units or Type A units as specified in this standard.

Section 1105 of this standard provides criteria for minimal accessibility features for one and two family dwelling units and townhouses which are not covered by the U.S. Department of Housing and Urban Development (HUD) Fair Housing Accessibility Guidelines.

This standard is intended for adoption by government agencies and by organizations setting model codes to achieve uniformity in the technical design criteria in building codes and other regulations.

102.2 Applicability. Sites, facilities, buildings, and elements required to be accessible by the scoping provisions adopted by the administrative authority shall comply with the applicable provisions of Chapters 3 through 10. Dwelling units and sleeping units shall comply with the applicable provisions of Chapter 11.

REASON: The ICC A117.1 committee approved two work groups: one to develop ~~for~~ assisted toileting and bathing criteria as an alternative for Accessible units in a percentage of resident's/care recipient's bathrooms in Assisted Living, Nursing Homes and Rehabilitation facilities; the other to develop technical criterial criteria for adult changing tables, with associate clearances, along with proposed scoping. This change for the purpose of the standard is to recognize that these criteria are not intended for independent use. Care givers will need to assist

people who are not strong enough or physically capable of independent toileting and bathing. Please see the associated code changes for new Section 611 and 613 for technical criteria.

Committee Action: AS AM D

102.1-CARPENTER.doc

| | | |
|--|-----------------------------------|----------------------------------|
| Report for 01-01 2021 | | |
| <i>Committee decision: AS/AM/D</i> | <i>Committee Vote at Meeting:</i> | <i>Committee Vote on Ballot:</i> |
| REPORT OF HEARING: | | |
| Modification (if any): | | |
| Committee Reason: | | |
| PUBLIC COMMENT- FIRST DRAFT: | | |
| Proponent: | | |
| Desired Action: | | |
| Modification: | | |
| Reason: | | |
| <i>Committee decision: AS/AM/D</i> | <i>Committee Vote at Meeting:</i> | <i>Committee Vote on Ballot:</i> |
| REPORT OF HEARING – FIRST DRAFT | | |
| Modification (if any): | | |
| Committee Reason: | | |
| PUBLIC COMMENT- SECOND DRAFT: | | |
| Proponent: | | |
| Desired Action: | | |
| Modification: | | |
| Reason: | | |
| <i>Committee decision: AS/AM/D</i> | <i>Committee Vote at Meeting:</i> | <i>Committee Vote on Ballot:</i> |
| FINAL ACTION: | | |
| Modification (if any): | | |
| Committee Reason: | | |

01-02 – 2021
106.2.3

Proponent: Billie Louise (Beezy) Bentzen, PhD., Accessible Design for the Blind, representing Association for the Education and Rehabilitation of the Blind and Visually Impaired (AER)

Revise as follows:

SECTION 106
REFERENCED DOCUMENTS

106.2.3 Manual on Uniform Traffic Control Devices. MUTCD-~~2011~~ 2021 with Revisions 1 and 2 incorporated ~~May 2012~~ (The Federal Highway Administration, Office of Transportation Operations, Room 3408, 400 7th Street, S.W., Washington, DC 20590)

REASON: A new edition of the MUTCD is expected to be published in 2021. The A117 should be revised to refer to the current edition.

Committee Action: AS AM D

106.2.3-BENTZEN.doc

| | | |
|--|-----------------------------------|----------------------------------|
| Report for 01-02 2021 | | |
| <i>Committee decision: AS/AM/D</i> | <i>Committee Vote at Meeting:</i> | <i>Committee Vote on Ballot:</i> |
| REPORT OF HEARING: | | |
| Modification (if any): | | |
| Committee Reason: | | |
| PUBLIC COMMENT- FIRST DRAFT: | | |
| Proponent: | | |
| Desired Action: | | |
| Modification: | | |
| Reason: | | |
| <i>Committee decision: AS/AM/D</i> | <i>Committee Vote at Meeting:</i> | <i>Committee Vote on Ballot:</i> |
| REPORT OF HEARING – FIRST DRAFT | | |
| Modification (if any): | | |
| Committee Reason: | | |
| PUBLIC COMMENT- SECOND DRAFT: | | |
| Proponent: | | |
| Desired Action: | | |
| Modification: | | |
| Reason: | | |
| <i>Committee decision: AS/AM/D</i> | <i>Committee Vote at Meeting:</i> | <i>Committee Vote on Ballot:</i> |
| FINAL ACTION: | | |
| Modification (if any): | | |
| Committee Reason: | | |

01-03 – 2021
106.2.4

Proponent: Richard Roberts, Honeywell, representing National Electrical Manufacturers Association (NEMA)

Revise as follows:

SECTION 106
REFERENCED DOCUMENTS

106.2.4 National Fire Alarm and Signaling Code. NFPA 72-~~2016~~ 2019(National Fire Protection Association, 1 Batterymarch Park, Quincy, MA 02269-9101).

Reason: This proposal replaces an outdated edition of NFPA 72 with the current/published edition of the Code.

Committee Action: AS AM D

106.2.4 ROBERTS.doc

| | | |
|--|-----------------------------------|----------------------------------|
| Report for 01-03 2021 | | |
| <i>Committee decision: AS/AM/D</i> | <i>Committee Vote at Meeting:</i> | <i>Committee Vote on Ballot:</i> |
| REPORT OF HEARING: | | |
| Modification (if any): | | |
| Committee Reason: | | |
| PUBLIC COMMENT- FIRST DRAFT: | | |
| Proponent: | | |
| Desired Action: | | |
| Modification: | | |
| Reason: | | |
| <i>Committee decision: AS/AM/D</i> | <i>Committee Vote at Meeting:</i> | <i>Committee Vote on Ballot:</i> |
| REPORT OF HEARING – FIRST DRAFT | | |
| Modification (if any): | | |
| Committee Reason: | | |
| PUBLIC COMMENT- SECOND DRAFT: | | |
| Proponent: | | |
| Desired Action: | | |
| Modification: | | |
| Reason: | | |
| <i>Committee decision: AS/AM/D</i> | <i>Committee Vote at Meeting:</i> | <i>Committee Vote on Ballot:</i> |
| FINAL ACTION: | | |
| Modification (if any): | | |
| Committee Reason: | | |

01-04 – 2021

106.2.4, 106.2.5, 106.2.6, 106.2.7, 106.2.8, 106.2.9, 106.2.10, 106.2.12, 106.2.13

Proponent: Kimberly Paarlberg, representing ICC

Revise as follows:

**SECTION 106
REFERENCED DOCUMENTS**

106.1 General. The documents listed in Section 106.2 shall be considered part of this standard to the prescribed extent of each such reference. Where criteria in this standard differ from those of these referenced documents, the criteria of this standard shall apply.

106.2 Documents.

106.2.1 Americans with Disabilities Act (ADA) Accessibility Guidelines for Transportation Vehicles. 36 CFR 1192 published in 56 Federal Register 45558, September 6, 1991 (United States Access Board, 1331 F Street, NW, Suite 1000, Washington, DC 20004-1111).

106.2.2 Hearing aids – Magnetic field strength in audio-frequency induction loops for hearing aids operating with an induction pickup coil. IEC 60118.4-2014 (International Electrotechnical Commission, 3 rue de Varenbe, PO Box 131, 1211 Geneva 20, Switzerland.)

106.2.3 Manual on Uniform Traffic Control Devices. MUTCD-2009 with Revisions 1 and 2 incorporated, May 2012 (The Federal Highway Administration, Office of Transportation Operations, Room 3408, 400 7th Street, S.W., Washington, DC 20590).

106.2.4 National Fire Alarm and Signaling Code. NFPA ~~72-2016~~ 2019 (National Fire Protection Association, 1 Batterymarch Park, Quincy, MA 02269-9101).

106.2.5 Performance Criteria for Accessible Communications Entry Systems. DASMA ~~303-2006~~ 2017. (Door and Access Systems Manufacturers Association, 1300 Sumner Avenue, Cleveland, OH 44115-2851).

106.2.6 Power Assist and Low Energy Power Operated Doors. BHMA A156.19-~~2013~~ 2019 (Builders Hardware Manufacturers' Association, 355 Lexington Avenue, 15th Floor, New York, NY 10017).

106.2.7 Power Operated Pedestrian Doors. ANSI/BHMA A156.10-~~2014~~ 2017 (Builders Hardware Manufacturers' Association, 355 Lexington Avenue, 15th Floor, New York, NY 10017).

106.2.8 Safety Code for Elevators and Escalators. ASME A17.1-~~2013~~ 2019/CSA B44-16 19 (American Society of Mechanical Engineers International, Three Park Avenue, New York, NY 10016-5990).

106.2.9 Safety Standard for Platform Lifts and Stairway Chairlifts. ASME A18.1-~~2014~~ 2020 (American Society of Mechanical Engineers International, Three Park Avenue, New York, NY 10016-5990).

106.2.10 Standard Consumer Safety Performance Specification for Playground Equipment for Public Use. ASTM F 1487-~~04~~ 21 (ASTM International, 100 Barr Harbor Drive, PO Box C700, West Conshohocken, PA, 19428-2959).

106.2.11 Standard Laboratory Test Method for Determination of Forces and Motions Required to Activate Operable Parts of Operable Windows and Doors in Accessible Spaces. AAMA 513-14 (AAMA, 1827 Walden Office Square, Suite 550, Schaumburg, IL 60173-4268).

106.2.12 Standard Specification for Impact Attenuation of Surfacing Materials Within the Use Zone of Playground Equipment. ASTM F 1292-~~13~~ 18e1(ASTM International, 100 Barr Harbor Drive, PO Box C700, West Conshohocken, PA, 19428-2959).

106.2.13 Standard Test Method for Determination of Decay Rates for Use in Sound Insulation Test Methods. ASTM E 2235-~~04~~ (~~2012~~ 2020) (ASTM International, 100 Barr Harbor Drive, PO Box C700, West Conshohocken, PA 19428-2959).

REASON: This is an automatic update for standards that are referenced in the 2021 IBC. The Administrative proposal for automatic updates in 2022 should also be checked for any additional updates.

Committee Action: AS AM D

106 Paarlberg.doc

| | | |
|--|-----------------------------------|----------------------------------|
| Report for 01-04- 2021 | | |
| <i>Committee decision: AS/AM/D</i> | <i>Committee Vote at Meeting:</i> | <i>Committee Vote on Ballot:</i> |
| REPORT OF HEARING: | | |
| Modification (if any): | | |
| Committee Reason: | | |
| PUBLIC COMMENT- FIRST DRAFT: | | |
| Proponent: | | |
| Desired Action: | | |
| Modification: | | |
| Reason: | | |
| <i>Committee decision: AS/AM/D</i> | <i>Committee Vote at Meeting:</i> | <i>Committee Vote on Ballot:</i> |
| REPORT OF HEARING – FIRST DRAFT | | |
| Modification (if any): | | |
| Committee Reason: | | |
| PUBLIC COMMENT- SECOND DRAFT: | | |
| Proponent: | | |
| Desired Action: | | |
| Modification: | | |
| Reason: | | |
| <i>Committee decision: AS/AM/D</i> | <i>Committee Vote at Meeting:</i> | <i>Committee Vote on Ballot:</i> |
| FINAL ACTION: | | |
| Modification (if any): | | |

Report for 01-04-2021

Committee Reason:

01-05 – 2021
107.5

Proponent: Kimberly Paarlberg, representing ICC

Revise as follows:

SECTION 107
DEFINITIONS

107.5 Defined terms.

transfer device: Equipment designed to facilitate the transfer of a person from a wheelchair or other mobility aide to and from an amusement ride seat.

wheelchair charging area: A clear floor area where people with disabilities can recharge their ~~wheelchair~~ batteries for wheelchairs or other mobility aide.

wheelchair space: A space for a single wheelchair or other mobility aide and its occupant.

wheelchair space locations: A space for a minimum of a single wheelchair or other mobility aide and the associated companion seating. Wheelchair space locations can contain multiple wheelchair spaces and associated companion seating.

REASON: The standard has been expanded to include other mobility devices. That should be addressed in the definitions.

Committee Action: AS AM D

107.5 Paarlberg.doc

| | | |
|--|-----------------------------------|----------------------------------|
| Report for 01-05– 2021 | | |
| <i>Committee decision: AS/AM/D</i> | <i>Committee Vote at Meeting:</i> | <i>Committee Vote on Ballot:</i> |
| REPORT OF HEARING: | | |
| Modification (if any): | | |
| Committee Reason: | | |
| PUBLIC COMMENT- FIRST DRAFT: | | |
| Proponent: | | |
| Desired Action: | | |
| Modification: | | |
| Reason: | | |
| <i>Committee decision: AS/AM/D</i> | <i>Committee Vote at Meeting:</i> | <i>Committee Vote on Ballot:</i> |
| REPORT OF HEARING – FIRST DRAFT | | |
| Modification (if any): | | |
| Committee Reason: | | |
| PUBLIC COMMENT- SECOND DRAFT: | | |
| Proponent: | | |
| Desired Action: | | |
| Modification: | | |
| Reason: | | |
| <i>Committee decision: AS/AM/D</i> | <i>Committee Vote at Meeting:</i> | <i>Committee Vote on Ballot:</i> |
| FINAL ACTION: | | |
| Modification (if any): | | |
| Committee Reason: | | |

03-01 – 2021

303.4(New)

Proponent: Gene Boecker, Code Consultants, Inc.

Add new text as follows:

SECTION 303 CHANGES IN LEVEL

303.4 Separation. The horizontal distance between vertical changes in level shall be 7 inches (178 mm) minimum.

Exception: The horizontal distance shall be permitted to be 1-1/2 inches (38 mm) minimum where the vertical change in level is 1/4 inch (6.4 mm) maximum.

REASON: Last cycle this issue was tabled so we could see what the Rough Surfaces Study* would tell us about changes in level and whether that report had good data on what an appropriate separation should be. Unfortunately, that study did not address this issue in a manner which was consistent with our concerns. However, some valuable information can be gleaned from the paper. That study suggested a “roughness index threshold of 1.2 in/ft for segments less than 10 feet. For longer distances, the study suggests a roughness index of 0.6 in/ft. However, the study’s primary purpose was to establish criteria for vibration mitigation and primarily focused on cracks or gaps in the surface. The study also allowed gaps (0.80, 1.25, 1.55 inches and 2.00 inches) which were greater than what the A117.1 standard allows (0.5 inch). Only one of the surfaces tested would comply with the A117.1 and that was the one with 0.0 crack width.

Their lowest possible roughness index for roughness was 0.18 inch/ft. However, 75% of the subjects evaluated a roughness of 0.89 in/ft as acceptable. The proposal here addresses the vertical change in sequence. The change of a maximum 1/2 inch every 7 inches is less than a 1:12 slope. In which case the vertical change would be limited to 1/4 inch. By comparison, a change of 1/2 inch in 7 inches is a roughness of 0.86 in/ft.

The exception recognizes that there are surfaces such as tile, brick, or wood with dimensions less than 7 inches horizontal. Moreover, detectable warnings need to be included as an exception. The maximum height for the detectable warnings is 0.2 inches so it would need to be not more than 1/4 inch by design. The spacing of 1-1/2 inches is roughly the lower end of the 1.6-inch spacing pattern for detectable warnings.

If the standard allows a door threshold to be limited by the changes in level criteria (Section 404.2.4), there needs to be some reasonable separation to the next change in level (e.g., sidewalk slab). While a greater horizontal distance is always preferable, a lower limit needs to be established so that a series of 1/2 inch steps isn’t installed with a 2 inch separation between them for a 2 inch change in level, resulting in a technically compliant but totally inaccessible condition.

* “Development of Surface Roughness Standards for Pathways Used by Wheelchairs Users;” December, 2014; Duvall, Jonathan & Cooper, Rory & Sinagra, Eric & Stuckey, Dianna & Brown, Joshua & Pearlman, Jon. (2013). Transportation Research Record: Journal of the Transportation Research Board. 2387. 149-156. 10.3141/2387-17.
<https://www.access-board.gov/research/exterior-surfaces/surface-roughness-standards/>

Committee Action: AS AM D

303.4 NEW-BOECKER.doc

| | | |
|--|-----------------------------------|----------------------------------|
| Report for 03-01– 2021 | | |
| <i>Committee decision: AS/AM/D</i> | <i>Committee Vote at Meeting:</i> | <i>Committee Vote on Ballot:</i> |
| REPORT OF HEARING: | | |
| Modification (if any): | | |
| Committee Reason: | | |
| PUBLIC COMMENT- FIRST DRAFT: | | |
| Proponent: | | |
| Desired Action: | | |
| Modification: | | |
| Reason: | | |
| <i>Committee decision: AS/AM/D</i> | <i>Committee Vote at Meeting:</i> | <i>Committee Vote on Ballot:</i> |
| REPORT OF HEARING – FIRST DRAFT | | |
| Modification (if any): | | |
| Committee Reason: | | |
| PUBLIC COMMENT- SECOND DRAFT: | | |
| Proponent: | | |
| Desired Action: | | |
| Modification: | | |
| Reason: | | |
| <i>Committee decision: AS/AM/D</i> | <i>Committee Vote at Meeting:</i> | <i>Committee Vote on Ballot:</i> |
| FINAL ACTION: | | |
| Modification (if any): | | |
| Committee Reason: | | |

03-02 – 2021

304.2, 305.2, 403.2, 403.4

Proponent: Kimberly Paarlberg, representing International Code Council

Revise as follows:

CHAPTER 3 BUILDING BLOCKS

SECTION 302 FLOOR SURFACES

302.1 General. Floor surfaces shall be stable, firm, and slip resistant, and shall comply with Section 302. Changes in level in floor surfaces shall comply with Section 303.

SECTION 303 CHANGES IN LEVEL

303.1 General. Changes in level in floor surfaces shall comply with Section 303.

303.2 Vertical. Changes in level of $\frac{1}{4}$ inch (6.4 mm) maximum in height shall be permitted to be vertical.

303.3 Beveled. Changes in level greater than $\frac{1}{4}$ inch (6.4 mm) in height and not more than $\frac{1}{2}$ inch (13 mm) maximum in height shall be beveled with a slope not steeper than 1:2.

303.4 Ramps. Changes in level greater than $\frac{1}{2}$ inch (13 mm) in height shall be by a ramp complying with Section 405 or by a curb ramp complying with Section 406.

SECTION 304 TURNING SPACE

304.2 Floor surface. Floor surfaces of a turning space shall comply with Section 302. Changes in level shall ~~not be permitted~~ comply with Section 303 within the turning space.

SECTION 305 CLEAR FLOOR SPACE

305.2 Floor surfaces. Floor surfaces of a clear floor space shall comply with Section 302. Changes in level shall ~~not be permitted~~ comply with Section 303 within the clear floor space.

Exception: Slopes not steeper than 1:48 shall be permitted.

**CHAPTER 4
ACCESSIBLE ROUTES**

**SECTION 403
WALKING SURFACES**

403.2 Floor surface. Floor surfaces shall comply with Section 302. Changes in level shall comply with Section 303.
302.

~~**403.4 Changes in level.** Changes in level shall comply with Section 303.~~

**SECTION 404
DOORS, DOORWAYS AND GATES**

404.2.3.1 Floor surface. The floor surface within the maneuvering clearances shall have a slope not steeper than 1:48 and shall comply with Section 302.

404.2.4 Thresholds. If provided, thresholds at doorways shall be $\frac{1}{2}$ inch (13 mm) maximum in height. Raised thresholds and changes in level at doorways shall comply with Sections 302 and 303.

Exception: An existing or altered threshold shall be permitted to be $\frac{3}{4}$ inch (19 mm) maximum in height provided that the threshold has a beveled edge on each side with a maximum slope of 1:2 for the height exceeding $\frac{1}{4}$ inch (6.4 mm).

404.3.5 Thresholds. Thresholds and changes in level at doorways shall comply with Section 404.2.4.

**SECTION 405
RAMPS**

405.4 Floor surfaces. Floor surfaces of ramp runs shall comply with Section 302.

405.7.1 Slope. Landings shall have a slope not steeper than 1:48 and shall comply with Section 302.

**SECTION 407
ELEVATORS**

407.4.2 Floor surfaces. Floor surfaces in elevator cars shall comply with Section 302.

**SECTION 408
LIMITED-USE/LIMITED-APPLICATION ELEVATORS**

408.4.2 Floor surfaces. Floor surfaces in elevator cars shall comply with Section 302.

**SECTION 409
PRIVATE RESIDENCE ELEVATORS**

410.3 Floor surfaces. Floor surfaces of platform lifts shall comply with Section 302.

**CHAPTER 5
GENERAL SITE AND BUILDING ELEMENTS**

**SECTION 502
PARKING SPACES**

502.5 Floor surfaces. Parking spaces and access aisles shall comply with Section 302 and have surface slopes not steeper than 1:48. Access aisles shall be at the same level as the parking spaces they serve.

**SECTION 503
PASSENGER LOADING ZONES**

503.4 Floor surfaces. Vehicle pull-up spaces and access aisles serving them shall comply with Section 302 and shall have slopes not steeper than 1:48. Access aisles shall be at the same level as the vehicle pull-up space they serve.

**SECTION 504
STAIRWAYS**

504.4 Tread surface. Stair treads shall comply with Section 302 and shall have a slope not steeper than 1:48.

**CHAPTER 8
SPECIAL ROOMS AND SPACES**

**SECTION 802
ASSEMBLY AREAS**

802.2 Floor surfaces. The floor surface of wheelchair space locations shall have a slope not steeper than 1:48 and shall comply with Section 302.

**CHAPTER 10
RECREATIONAL FACILITIES**

**SECTION 1001
GENERAL**

1001.2.2 Area of sport activity. Areas of sport activity shall be served by an accessible route and shall not be required to be accessible except as provided in this chapter. Within areas of sports activity exempted in this chapter, the floor and ground surfaces shall not be required to

comply with Section 302. Within areas of sports activity exempted in this chapter, changes in level shall not be required to comply with Section 303.

SECTION 1003 RECREATIONAL BOATING FACILITIES

1003.2.1 Boat slips. An accessible route shall serve boat slips.

Exceptions:

1. Where an existing gangway or series of gangways is replaced or altered, an increase in the length of the gangway shall not be required to comply with Section 1003.2.
2. Gangways shall not be required to comply with the maximum rise specified in Section 405.6.
3. Where the total length of a gangway or series of gangways serving as part of a required accessible route is 80 feet (24 m) minimum, gangways shall not be required to comply with Section 405.2.
4. Where facilities contain fewer than 25 boat slips and the total length of the gangway or series of gangways serving as part of a required accessible route is 30 feet (9145 mm) minimum, gangways shall not be required to comply with Section 405.2.
5. Where gangways connect to transition plates, landings specified by Section 405.7 shall not be required.
6. Where gangways and transition plates connect and are required to have handrails, handrail extensions shall not be required. Where handrail extensions are provided on gangways or transition plates, the handrail extensions shall not be required to be parallel with the floor.
7. The cross slope specified in Sections 403.3 and 405.3 for gangways, transition plates, and floating piers that are part of accessible routes shall be measured in the static position.
8. Changes in level complying with Sections 303.3 and 303.4 shall be permitted on the surfaces of gangways and piers.
9. Cleats and other boat securement devices shall not be required to comply with Section 308.

SECTION 1007 MINIATURE GOLF FACILITIES

1007.2 Accessible routes. Accessible routes serving holes on miniature golf courses shall comply with Chapter 4.

Exception: Accessible routes located on playing surfaces of miniature golf holes shall be permitted to comply with the following:

1. Playing surfaces shall not be required to comply with Section 302.2.
2. Where accessible routes intersect playing surfaces of holes, a curb that is 1 inch (25 mm) maximum in height and 32 inches (815 mm) minimum in width shall be permitted.
3. A slope of 1:4 maximum shall be permitted for a rise of 4 inches (100 mm) maximum.

4. Ramp landing slopes specified by Section 405.7.1 shall be permitted to be 1:20 maximum.
5. Ramp landing length specified by Section 405.7.3 shall be permitted to be 48 inches (1220 mm) minimum.
6. Ramp landing size at a change in direction specified by Section 405.7.4 shall be permitted to be 48 inches (1220 mm) minimum by 60 inches (1525 mm) minimum.
7. Handrails shall not be required along ramps located on the playing surface.

SECTION 1008 PLAY AREAS

1008.4.1 Accessible routes. Accessible routes serving play areas shall comply with Chapter 4 and Section 1008.4.1. Where accessible routes serve ground level play components, the vertical clearance shall be 80 inches (2030 mm) minimum in height.

Exceptions:

1. Where 20 or more elevated play components are provided, transfer systems complying with Section 1008.4.2 shall be permitted to be used as part of an accessible route for a maximum of 25 percent of the play components.
2. Where fewer than 20 elevated play components are provided, transfer systems complying with Section 1008.4.2 shall be permitted to be used as part of an accessible route.
3. Where transfer systems are provided, an elevated play component shall be permitted to connect to another elevated play component as part of an accessible route.
4. Accessible routes serving soft contained play structures shall be permitted to use transfer systems complying with Section 1008.4.2 as part of an accessible route.
5. Where the surface of the accessible route, clear floor spaces, or turning spaces serving water play components is submerged, complying with Sections 302, 403.3, 405.2, 405.3 and 1008.4.1.6 shall not be required.
6. Accessible routes serving water play components shall be permitted to use transfer systems complying with Section 1008.4.2 to connect elevated play components in water.

CHAPTER 11 DWELLING UNITS AND SLEEPING UNITS

SECTION 1104 TYPE B UNITS

1104.4.2 Changes in level. Changes in level shall comply with Section 303.

Exception: Where exterior deck, patio or balcony surface materials are impervious, the finished exterior impervious surface shall be 4 inches (100 mm) maximum below the floor level of the adjacent interior spaces of the unit.

REASON: The purpose of this proposal is to ask the ICC A117.1 committee to address the conflicts with ‘changes in level’. As currently written, this could be read to include a ½” change

in elevation or not. By saying ‘changes in level shall not be permitted’ we have heard the interpretation that this does not allow for tile grout lines or deck boards. This question also came up in the bathing work group regarding if a turning space could include the shower floor. If you can use a wheelchair to get into and out of the shower where you are parallel to the threshold, why would it be any harder for the T-shape turning space there than over a threshold at a doorway (see example below)? This needs to be addressed.

We also seem to be extremely inconsistent with the reference to Section 302 and 303 (which is referenced from 302). And we are inconsistent on saying the floor has to be level.



Committee Action: AS AM D

303 et al-PAARLBERG.doc

| | | |
|--|-----------------------------------|----------------------------------|
| Report for 03-02- 2021 | | |
| Committee decision: AS/AM/D | Committee Vote at Meeting: | Committee Vote on Ballot: |
| REPORT OF HEARING: | | |
| Modification (if any): | | |
| Committee Reason: | | |
| PUBLIC COMMENT- FIRST DRAFT: | | |
| Proponent: | | |
| Desired Action: | | |
| Modification: | | |
| Reason: | | |
| Committee decision: AS/AM/D | Committee Vote at Meeting: | Committee Vote on Ballot: |
| REPORT OF HEARING – FIRST DRAFT | | |
| Modification (if any): | | |
| Committee Reason: | | |
| PUBLIC COMMENT- SECOND DRAFT: | | |
| Proponent: | | |
| Desired Action: | | |

Report for 03-02- 2021

Modification:

Reason:

Committee decision: AS/AM/D**Committee Vote at Meeting:****Committee Vote on Ballot:****FINAL ACTION:**

Modification (if any):

Committee Reason:

03-03 – 2021

304.3.1, 304.3.1.1, 304.3.1.1.1, 304.3.1.2, 304.3.1.2.1, 304.3.2, 304.3.2.1, 304.3.2.1.1, 304.3.2.2, 304.3.2.2.1, 305.3, 305.3.1, 305.3.2, 403.5.1, 403.5.2, 403.5.2.1, 403.5.2.2, 403.5.3, 403.5.3.1, 403.5.3.2, 403.5.4, 403.5.4.1, 403.5.4.2, Table 404.2.3.2, Table 404.2.3.3, Table 404.2.3.4, 404.2.3.5, 404.2.5, 409.4.1, 409.4.1.1, 409.4.1.2, 410.5.1, 410.5.1.1, 410.5.1.2, 503.3.2, 503.3.2.1, 503.3.2.2, 608.2.1.2, 608.2.1.2.1, 608.2.1.2.2, 802.4, 802.4.1, 802.4.2, 802.5.1, 802.7.2, 805.2.2, 805.2.2.1, 805.2.2.2, 1007.3.2, 1007.3.2.1, 1007.3.2.2, 1009.2.3.1, 1009.2.3.2

Proponent: Marsha K. Mazz, representing United Spinal Association

Revise as follows:

SECTION 304 TURNING SPACE

304.1 General. A turning space shall comply with Section 304.

304.2 Floor surface. Floor surfaces of a turning space shall comply with Section 302. Changes in level shall not be permitted within the turning space.

Exception: Slopes not steeper than 1:48 shall be permitted.

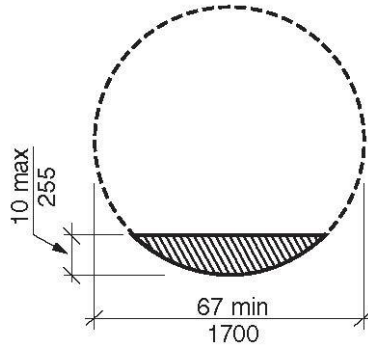
304.3 Size. Turning spaces shall comply with Section 304.3.1 or 304.3.2.

304.3.1 Circular space.

~~**304.3.1.1 New buildings and facilities.** In new buildings and facilities, the~~ The turning space shall be a circular space with a 67-inch (1700 mm) minimum diameter.

304.3.1.1 ~~304.3.1.1.1~~ Overlap. Turning spaces shall be permitted to include knee and toe clearance complying with Section 306. Where the turning space includes knee and toe clearances under an obstruction, the overlap shall comply with all of the following:

1. The depth of the overlap shall not be more than 10 inches (255 mm), and
2. The depth shall not exceed the depth of the knee and toe clearances provided, and
3. The overlap shall be permitted only within the turning circle area shown shaded in Figure ~~304.3.1.1~~ ~~304.3.1.1.1~~.

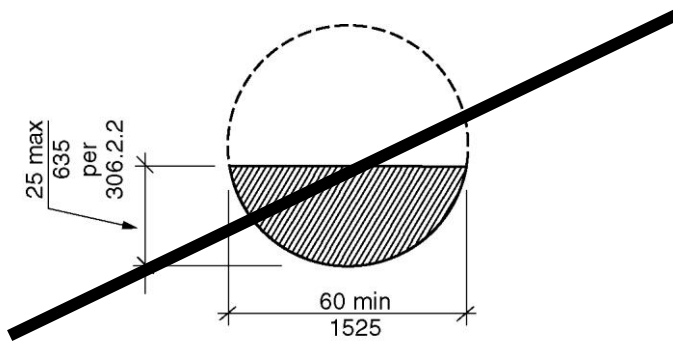


Overlap of knee and toe clearance

FIGURE 304.3.1.1 304.3.1.1.1
CIRCULAR TURNING SPACE – NEW BUILDINGS
SIZE AND OVERLAP

304.3.1.2 Existing buildings and facilities. In existing buildings and facilities, the turning space shall be a circular space with a 60-inch (1525 mm) minimum diameter.

304.3.1.2.1 Overlap. Turning spaces shall be permitted to include knee and toe clearance complying with Section 306.



Overlap of knee and toe clearance

FIGURE 304.3.1.1.2
CIRCULAR TURNING SPACE – EXISTING BUILDINGS
SIZE AND OVERLAP

304.3.2 T-Shaped space.

304.3.2.1 New buildings and facilities. In new buildings and facilities, the The turning space shall be a T-shaped space complying with one of the following:

1. A T-shaped space, clear of obstruction, that fits within an area 68 inches (1725 mm) wide and 60 inches (1525 mm) deep, with two arms and one base that are all 36 inches (915 mm) minimum in width. Each arm shall extend 16 inches (405 mm) minimum from each side of the base located opposite the other, and the base shall extend 24 inches (610 mm) minimum from the arms. At the intersection of each arm and the base, the interior corners shall be chamfered for 8 inches (205 mm) minimum along both the arm and along the base.

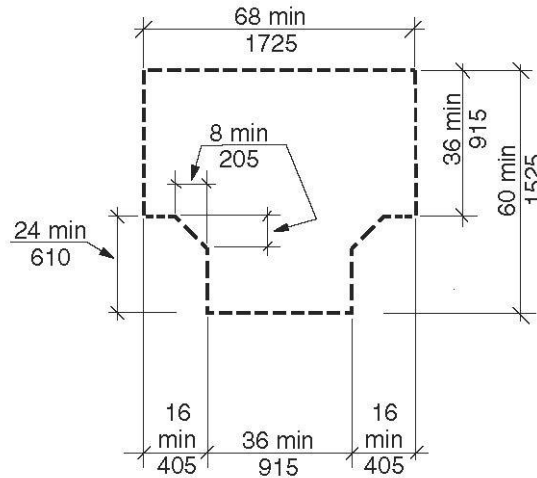


FIGURE 304.3.2 304.3.2.1(A)
T-SHAPED TURNING SPACE
NEW BUILDINGS – OPTION 1

2. A T-shaped space, clear of obstruction, that fits within an area 64 inches (1625 mm) wide and 60 inches (1525 mm) deep, with two arms 38 inches (965 mm) minimum in width and a base 42 inches (1065 mm) minimum in width. Each arm shall extend 11 inches (280 mm) minimum from each side of the base, located opposite the other, and the base shall extend 22 inches (560 mm) minimum from each arm.

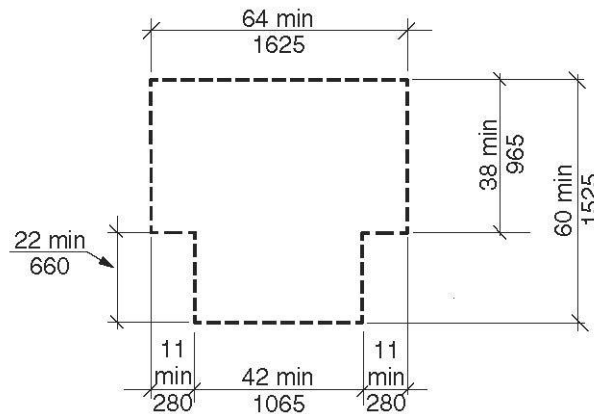
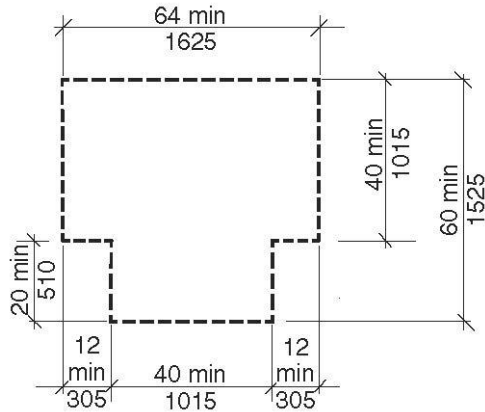


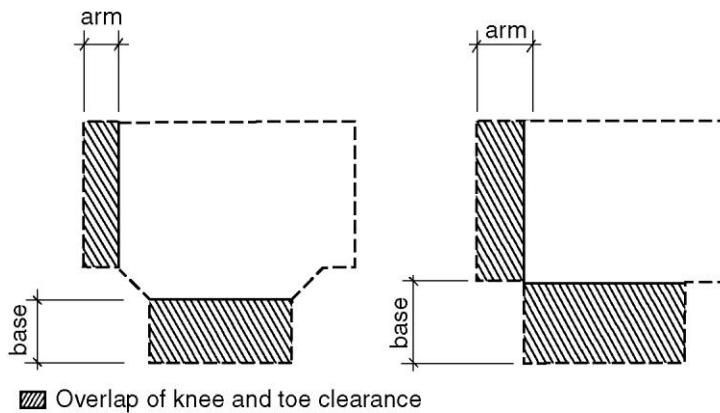
FIGURE 304.3.2 304.3.2.1 (B)
T-SHAPED TURNING SPACE
NEW BUILDINGS – OPTION 2

3. A T-shaped space, clear of obstruction, 64 inches (1625 mm) wide and 60 inches (1525 mm) deep, with two arms and one base 40 inches (1015 mm) minimum in width. Each arm shall extend 12 inches (305 mm) minimum from each side of the base and the base shall extend 20 inches (510 mm) minimum from each arm.



**FIGURE 304.3.2 304.3.2.1 (C)
T-SHAPED TURNING SPACE
NEW BUILDINGS – OPTION 3**

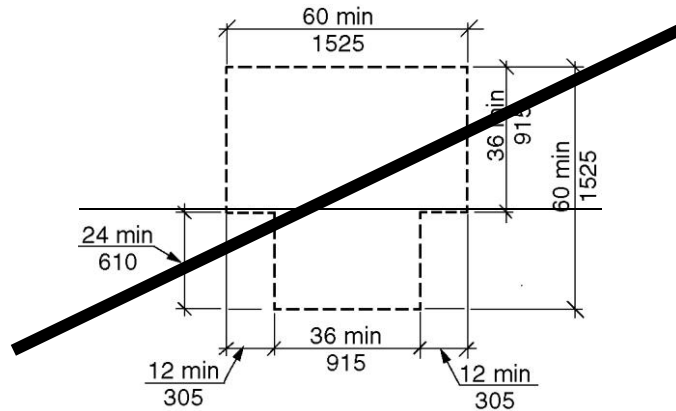
304.3.2.1 304.3.2.1.1 Overlap. Turning spaces shall be permitted to include knee and toe clearance complying with Section 306 of either the base or one arm. For Option 1, the base or arm is the portion beyond the chamfer.



▨ Overlap of knee and toe clearance

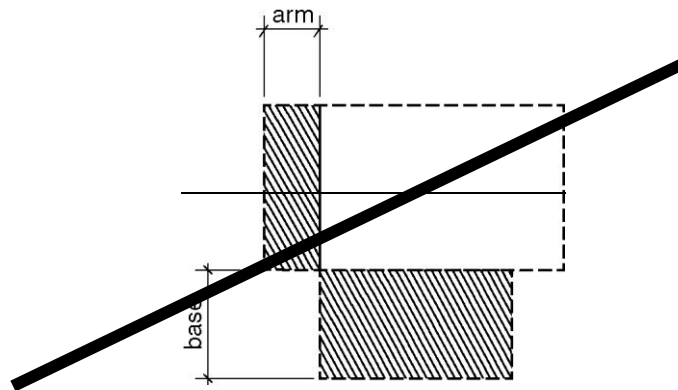
**FIGURE 304.3.2.1 304.3.2.1.1
T-SHAPED TURNING SPACE
NEW BUILDINGS- OVERLAP**

304.3.2.2 Existing buildings and facilities. In existing buildings and facilities, the turning space shall be a T-shaped space within a 60 inch (1525 mm) minimum square, with arms and base 36 inches (915 mm) minimum in width. Each arm of the T shall be clear of obstructions 12 inches (305 mm) minimum in each direction, and the base shall be clear of obstructions 24 inches (610 mm) minimum.



**FIGURE 304.3.2.2
T-SHAPED TURNING SPACE
EXISTING BUILDINGS**

304.3.2.2.1 Overlap. Turning spaces shall be permitted to include knee and toe clearance complying with Section 306 only at the end of either the base or one arm.



**FIGURE 304.3.2.2.1
T-SHAPED TURNING SPACE
EXISTING BUILDINGS—OVERLAP**

**SECTION 305
CLEAR FLOOR SPACE**

305.3 Size.

305.3.1 New buildings and facilities. In new buildings and facilities, the The clear floor space shall be 52 inches (1320 mm) minimum in length and 30 inches (760 mm) minimum in width.

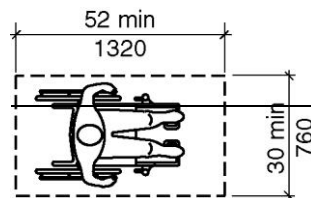


Figure 305.3 305.3.1
Size of Clear Floor Space – New Buildings

~~**305.3.2 Existing buildings and facilities.** In existing buildings and facilities, the clear floor space shall be 48 inches (1220 mm) minimum in length and 30 inches (760 mm) minimum in width.~~

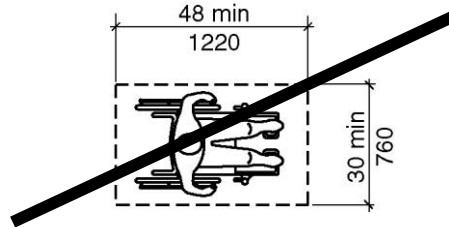


Figure 305.3.2
Size of Clear Floor Space – Existing Buildings

SECTION 403
WALKING SURFACES

403.5.1 General. The clear width of an interior accessible route shall be 36 inches (915 mm) minimum. The clear width of an exterior accessible route shall be 48 inches (1220 mm) minimum.

Exceptions:

1. ~~In new buildings and facilities, the~~ The clear width shall be permitted to be reduced to 32 inches (815 mm) minimum for a length of 24 inches (610 mm) maximum provided the reduced-width segments are separated by segments that are 52 inches (1320 mm) minimum in length and 36 inches (915 mm) minimum in width.
2. ~~In existing buildings and facilities, the clear width shall be permitted to be reduced to 32 inches (815 mm) minimum for a length of 24 inches (610 mm) maximum provided the reduced width segments are separated by segments that are 48 inches (1220 mm) minimum in length and 36 inches (915 mm) minimum in width.~~
- 2.3. The clear width of an exterior accessible route located within seating areas shall be permitted to be 36 inches (915 mm) minimum.
- 3.4. The clear width of an exterior ramp ~~shall~~ complying with Section 405.5 shall not be required to comply with this section.

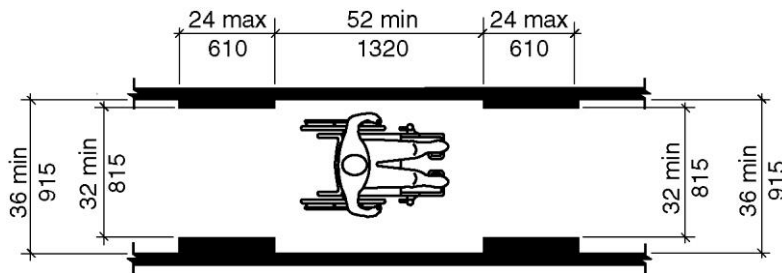


Figure 403.5.1(A) Clear Width of an Accessible Route - ~~New Buildings~~ - Interior

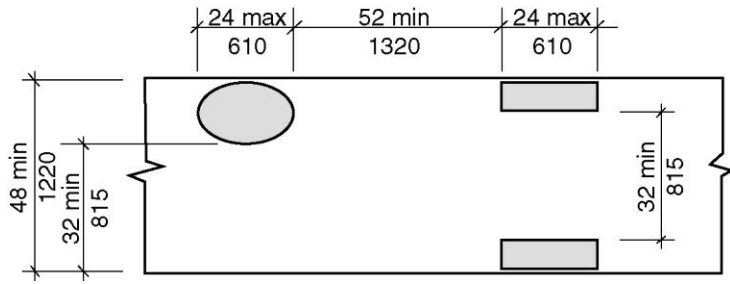


Figure 403.5.1(B) Clear Width of an Accessible Route - ~~New Buildings~~ - Exterior

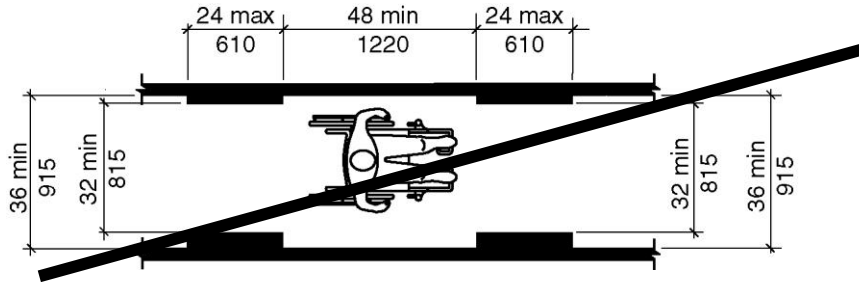


Figure 403.5.1(C) Clear Width of an Accessible Route - ~~Existing Buildings~~ - Interior

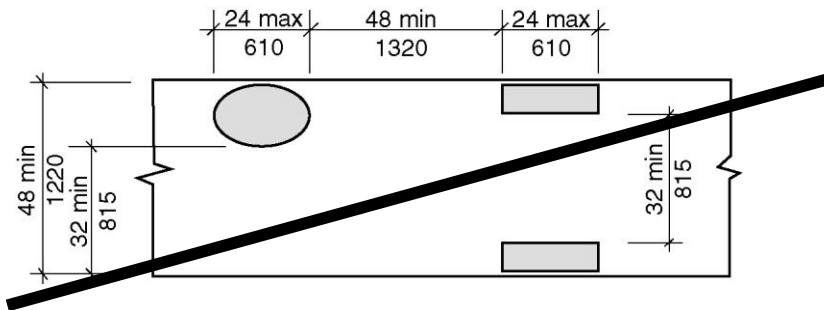


Figure 403.5.1(D) Clear Width of an Accessible Route - ~~Existing Buildings~~ - Exterior

403.5.2 Clear width at 180-degree turn.

403.5.2.1 New buildings and facilities. ~~In new building and facilities,~~ Where an accessible route makes a 180-degree turn around an object that is equal to or greater than 52 inches (1320 mm) in width, the clear widths in the turn shall comply with Section 403.5.1. Where an accessible route makes a 180-degree turn around an object that is less than 52 inches (1320 mm) inches in width, the clear widths approaching the turn, during the turn and leaving the turn, shall be one of the following sets of dimensions:

1. Approaching width is 36 inches (915 mm) minimum, during width is 60 inches (1525 mm) minimum, and leaving width is 36 inches (915 mm) minimum.
2. Approaching width is 42 (1065 mm) inches minimum, during width is 48 inches (1220 mm) minimum, and leaving width is 42 (1065 mm) inches minimum.
3. Approaching width is 43 inches (1090 mm) minimum, during width is 43 inches (1090 mm) minimum, and leaving width is 43 inches (1090 mm) minimum.

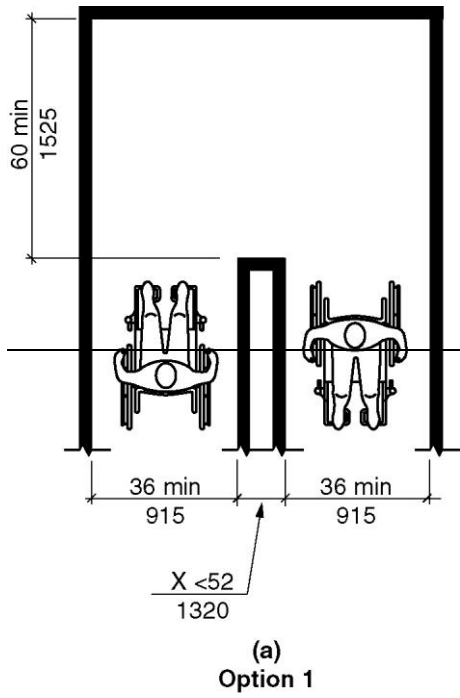


Figure 403.5.2 403.5.2.1(A) Clear Width at 180-degree Turn – ~~New Buildings~~ - Option 1

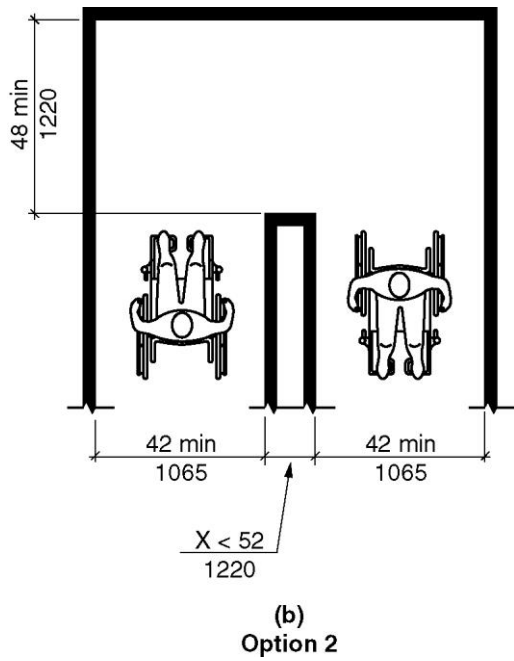
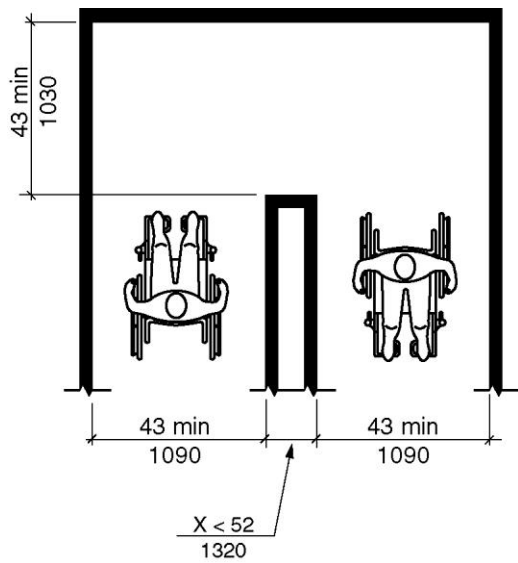


Figure 403.5.2 403.5.2.1 (B) Clear Width at 180-degree Turn – ~~New Buildings~~ - Option 2

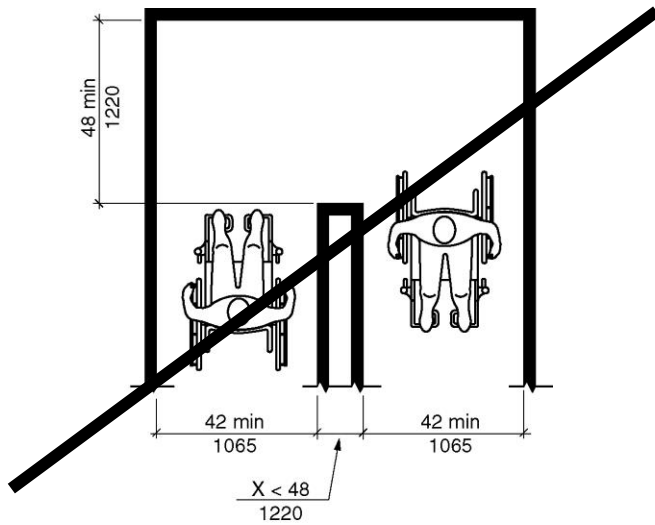


(c)
Option 3

Figure 403.5.2 403.5.2.1 (C) Clear Width at 180-degree Turn – New Buildings - Option 3

~~**403.5.2.2 Existing buildings and facilities.** In existing buildings and facilities, where an accessible route makes a 180 degree turn around an object that is less than 48 inches (1220 mm) in width, clear widths shall be 42 inches (1065 mm) minimum approaching the turn, 48 inches (1220 mm) minimum during the turn, and 42 inches (1065 mm) minimum leaving the turn.~~

~~**Exception:** This section shall not apply where the clear width during the turn is 60 inches (1525 mm) minimum.~~



(a)
180 Degree Turn

Figure 403.5.2.2(A) Clear Width at 180-degree Turn – Existing Buildings

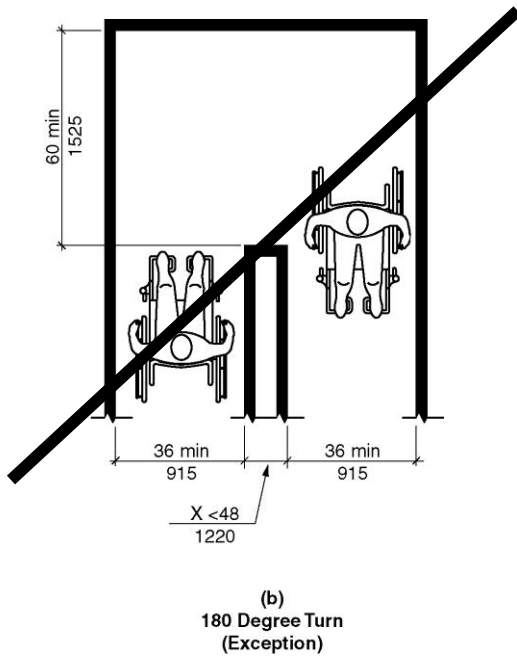


Figure 403.5.2.2(B) Clear Width at 180-degree Turn – Existing Buildings – Exception

403.5.3 Clear width at 90-degree turn.

403.5.3.1 New buildings and facilities. In new buildings and facilities, where Where an accessible route makes a 90-degree turn the clear widths approaching the turn and leaving the turn shall be one of the following sets of dimensions:

1. Both legs of the turn shall be 40 inches (1015 mm) minimum in width. The width of each leg of the turn shall be maintained for 28 inches (710 mm) minimum from the inner corner.
2. Where the interior corners of the turn are chamfered for 8 inches minimum (205 mm) along both walls, both legs of the turn shall be 36 inches (915 mm) minimum in width.
3. Where one leg of the turn is 42 inches (1065 mm) minimum in width, the other shall be permitted to be 38 inches (965 mm) minimum in width.
4. Where one leg of the turn is 44 inches (1120mm) minimum in width, the other shall be permitted to be 36 inches (915 mm) minimum in width.

Exceptions:

1. Where an accessible route makes a 90-degree turn at doors, doorways and gates complying with Section 404.2.3, the route shall not be required to comply with this section.
2. Where an accessible route makes a 90-degree turn at an elevator or platforms lifts complying with Sections 407 through 410, the accessible route shall not be required to comply with this section.

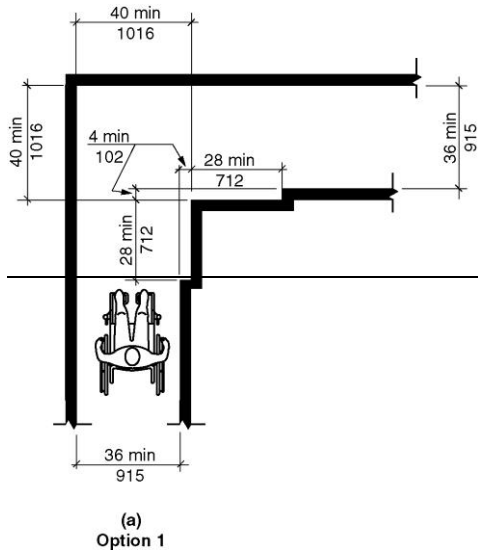


Figure 403.5.3 403.5.3.1(A) Clear Width at 90-degree Turn - New Buildings - Option 1

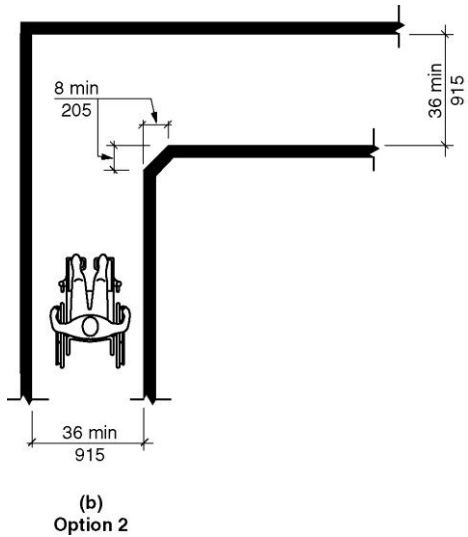
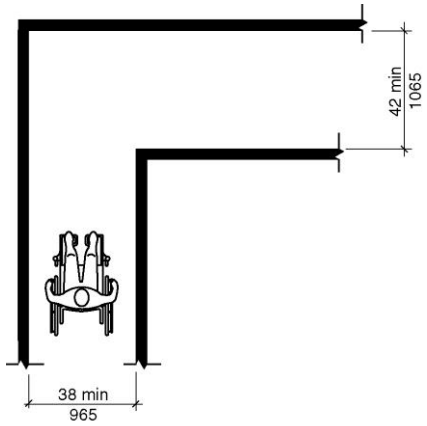
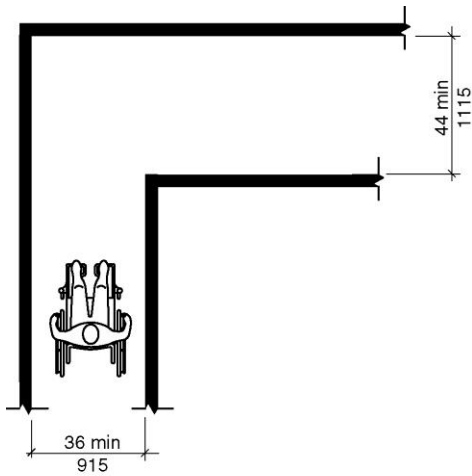


Figure 403.5.3 403.5.3.1 (B) Clear Width at 90-degree Turn - New Buildings - Option 2



(c)
Option 3

Figure 403.5.3 ~~403.5.3.1~~ (C) Clear Width at 90-degree Turn - ~~New Buildings~~ - Option 3



(d)
Option 4

Figure 403.5.3 ~~403.5.3.1~~ (D) Clear Width at 90-degree Turn - ~~New Buildings~~ - Option 4

~~403.5.3.2 Existing buildings and facilities.~~ In existing buildings and facilities, where an accessible route makes a 90 degree turn the clear widths approaching the turn and leaving the turn shall be 36 inches (915 mm) minimum.

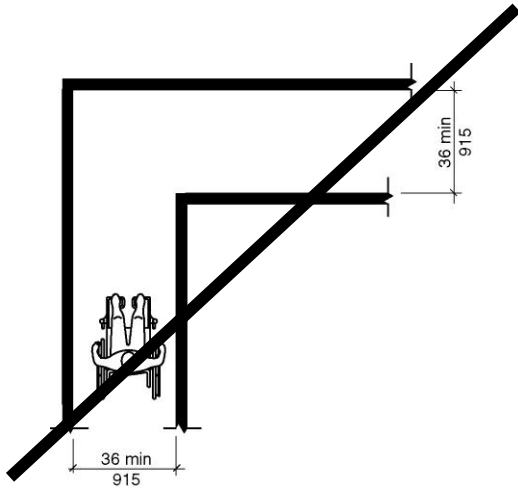


Figure 403.5.3.2 Clear Width at 90-degree Turn – Existing Buildings

403.5.4 Passing space.

403.5.4.1 New buildings and facilities. In new buildings and facilities, an An accessible route with a clear width less than 60 inches (1525 mm) shall provide passing spaces at intervals of 200 feet (61 m) maximum. Passing spaces shall be either a 60-inch (1525 mm) minimum by 60-inch (1525 mm) minimum space, or an intersection of two walking surfaces that provide a T-shaped turning space complying with Section 304.3.2.1, provided the base and arms of the T-shaped space extend 52 inches (1320 mm) minimum beyond the intersection.

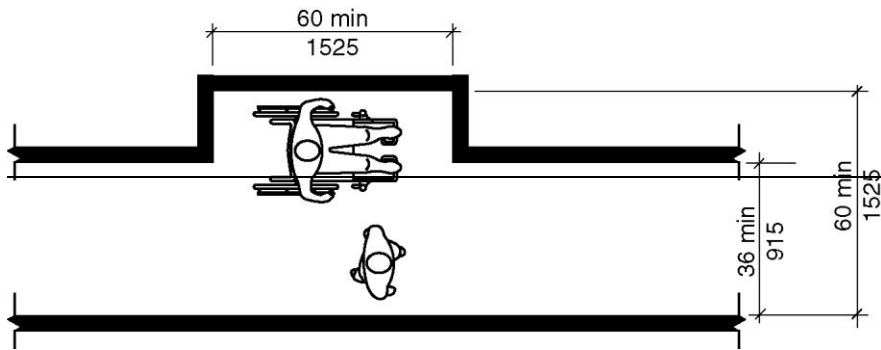


Figure 403.5.4 403.5.4.1(A) Passing Space- New Buildings - 60 X 60 Option

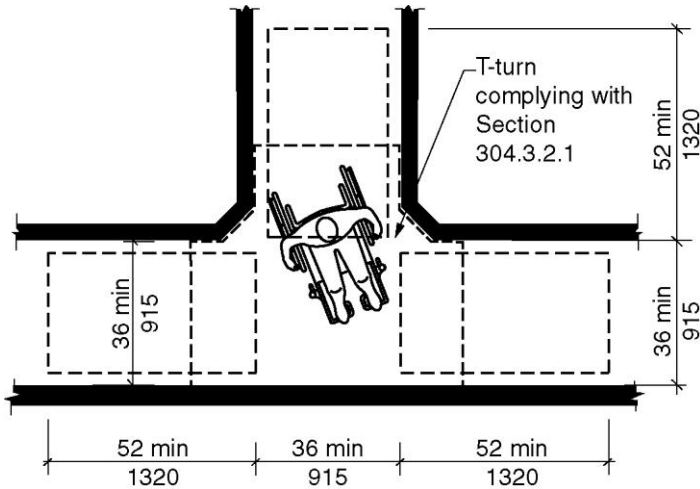


Figure 403.5.4 403.5.4.1 (B) Passing Space- New Buildings - T-turn Option

403.5.4.2 Existing buildings and facilities. In existing buildings and facilities, an accessible route with a clear width less than 60 inches (1525 mm) shall provide passing spaces at intervals of 200 feet (61 m) maximum. Passing spaces shall be either a 60-inch (1525 mm) minimum by 60-inch (1525 mm) minimum space, or an intersection of two walking surfaces that provide a T-shaped turning space complying with Section 304.3.2, provided the base and arms of the T-shaped space extend 48 inches (1220 mm) minimum beyond the intersection.

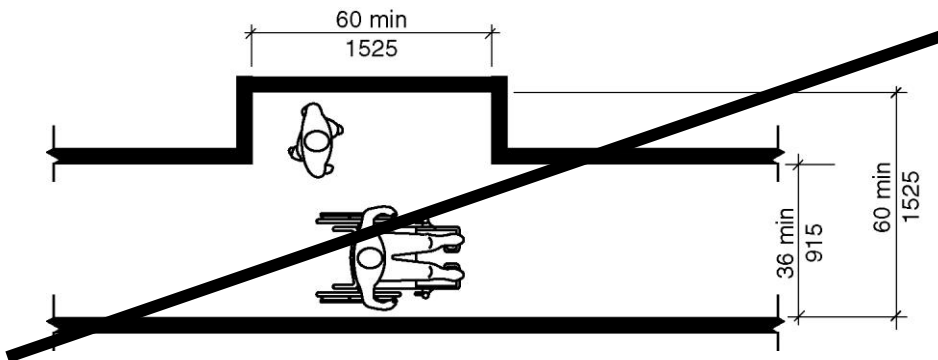


Figure 403.5.4.2(A) Passing Space- Existing Buildings - 60 X 60 Option

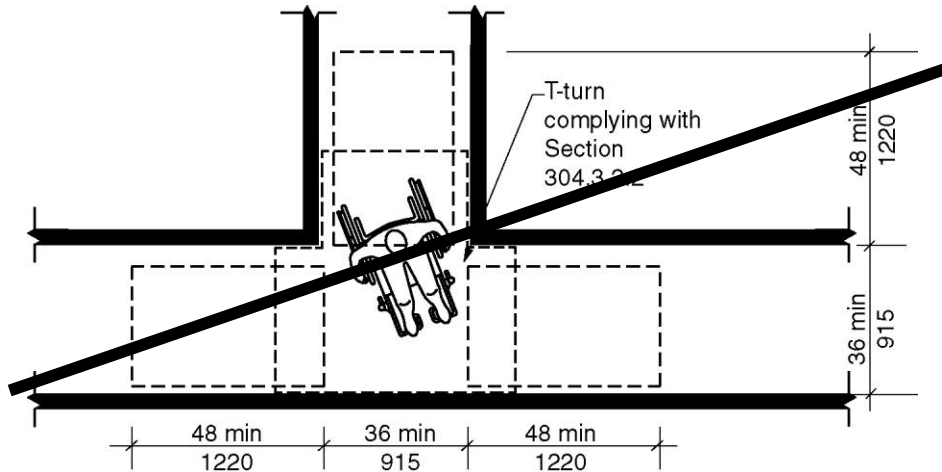


Figure 403.5.4.2(B) Passing Space—Existing Buildings—T-turn Option

SECTION 404
DOORS, DOORWAYS AND GATES

404.2.3.2 Swinging doors and gates. Swinging doors and gates shall have maneuvering clearances complying with Table 404.2.3.2.

TABLE 404.2.3.2—MANEUVERING CLEARANCES AT MANUAL SWINGING DOORS AND GATES

| TYPE OF USE | | MINIMUM MANEUVERING CLEARANCES | |
|--------------------|-------------------|----------------------------------|---|
| Approach Direction | Door or Gate Side | Perpendicular to Doorway | Parallel to Doorway (beyond latch unless noted) |
| From front | Pull | 60 inches (1525 mm) | 18 inches (455 mm) |
| From front | Push | 52 inches (1320 mm) ⁵ | 0 inches (0 mm) ³ |
| From hinge side | Pull | 60 inches (1525 mm) | 36 inches (915 mm) |
| From hinge side | Pull | 54 inches (1370 mm) | 42 inches (1065 mm) |
| From hinge side | Push | 42 inches (1065 mm) ¹ | 22 inches (560 mm) ⁴ |
| From latch side | Pull | 48 inches (1220 mm) ² | 24 inches (610 mm) |
| From latch side | Push | 42 inches (1065 mm) ² | 24 inches (610 mm) |

1. Add 6 inches (150 mm) if closer and latch provided.
2. Add 6 inches (150 mm) if closer provided.
3. Add 12 inches (305 mm) beyond latch if closer and latch are provided.
4. Beyond hinge side.
5. In existing buildings and facilities, the dimension perpendicular to the door or gate for the front direction on the push side shall be 48 inches (1220 mm) minimum.

Figure 404.2.3.2(A) Maneuvering Clearances at Manual Swinging Doors - Front Approach - Pull Side

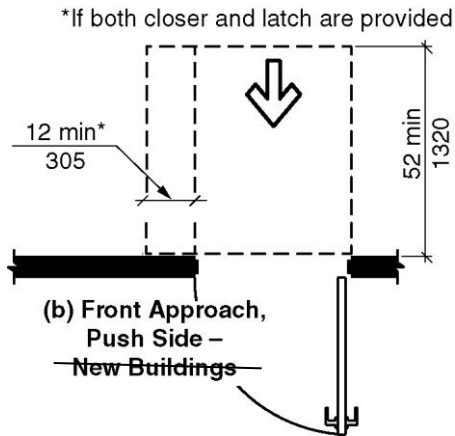
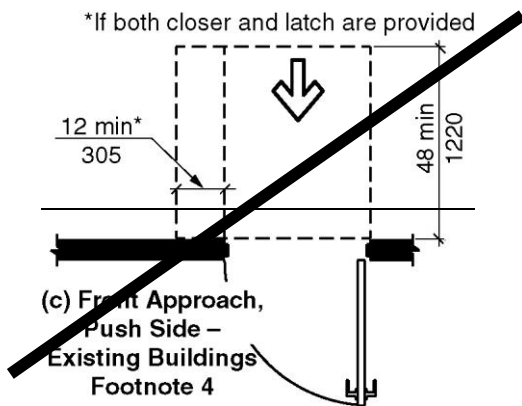


Figure 404.2.3.2(B) Maneuvering Clearances at Manual Swinging Doors - Front Approach - Push Side - New Buildings



~~**Figure 404.2.3.2(C) Maneuvering Clearances at Manual Swinging Doors – Front Approach – Pull Side – Existing Buildings – Footnote 5**~~

Note: Renumber Figure 404.2.3.2(D) through (H)

404.2.3.3 Sliding and folding doors. Sliding doors and folding doors shall have maneuvering clearances complying with Table 404.2.3.3.

TABLE 404.2.3.3—MANEUVERING CLEARANCES AT SLIDING AND FOLDING DOORS

| Approach Direction | MINIMUM MANEUVERING CLEARANCES | |
|--------------------|----------------------------------|---|
| | Perpendicular to Doorway | Parallel to Doorway (beyond stop or latch side unless noted) |
| From front | 52 inches (1320 mm) ² | 0 inches (0 mm) |
| From nonlatch side | 42 inches (1065 mm) | 22 inches (560 mm) ¹ |
| From latch side | 42 inches (1065 mm) | 24 inches (610 mm) |

- Beyond pocket or hinge side.
- ~~In existing buildings and facilities, the dimension perpendicular to the door for the front direction shall be 48 inches (1220 mm) minimum.~~

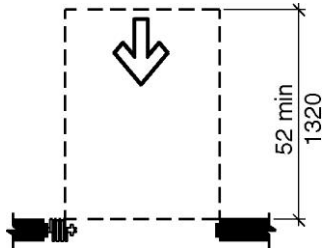
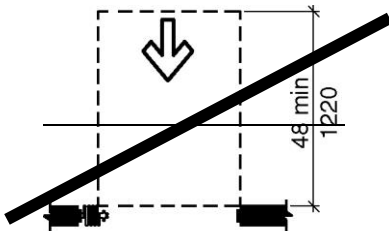


Figure 404.2.3.3(A) Maneuvering Clearance at Sliding and Folding Doors - Front Approach - New Buildings



~~**Figure 404.2.3.3(B) Maneuvering Clearance at Sliding and Folding Doors - Front Approach - Existing Buildings - Footnote 2**~~

Note: Renumber Figure 404.2.3.3(C) and (D)

404.2.3.4 Doorways without doors or gates. Doorways without doors or gates that are less than 36 inches (915 mm) in width shall have maneuvering clearances complying with Table 404.2.3.4.

TABLE 404.2.3.4—MANEUVERING CLEARANCES FOR DOORWAYS WITHOUT DOORS OR GATES

| Approach Direction | MINIMUM MANEUVERING CLEARANCES Perpendicular to Doorway |
|--------------------|---|
| From front | 52 inches (1320 mm) [†] |
| From side | 42 inches (1065 mm) |

- ~~In existing buildings and facilities the dimension perpendicular to the doorway for the front direction shall be 48 inches (1220 mm) minimum.~~

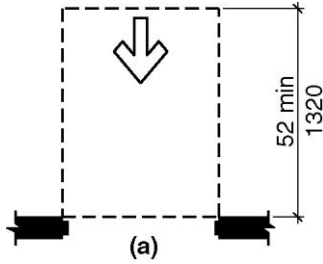


Figure 404.2.3.4(A) Maneuvering Clearances for Doorways without Doors or Gates - Front Approach - New Buildings

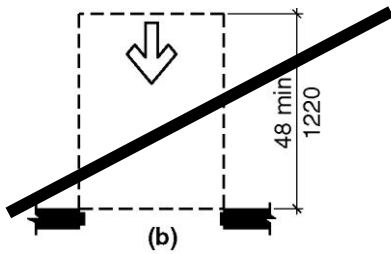


Figure 404.2.3.4(B) Maneuvering Clearances for Doorways without Doors or Gates - Front Approach - Existing Buildings - Footnote 1

Note: Renumber Figure 404.2.3.4(C)

404.2.3.5 Recessed doors and gates. Where any obstruction within 18 inches (455 mm) of the latch side of a doorway projects more than 8 inches (205 mm) beyond the face of the door or gate, measured perpendicular to the face of the door or gate, maneuvering clearances for a forward approach shall be provided.

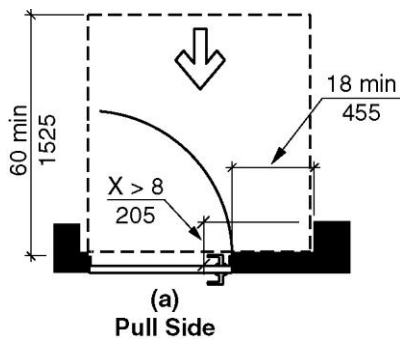
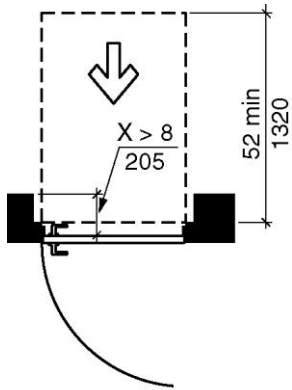


Figure 404.2.3.5(A) Recessed Doors and Gates - New Buildings - Pull Side



(b)
Push Side

Figure 404.2.3.5(B) Recessed Doors and Gates – New Buildings - Push Side

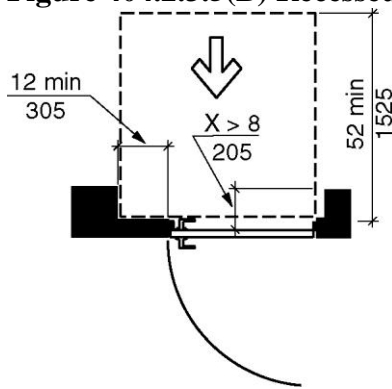
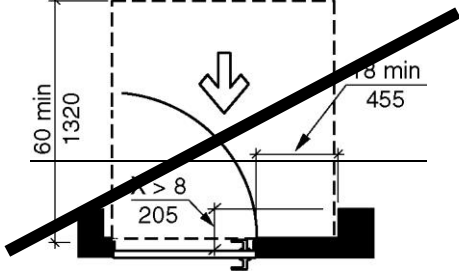
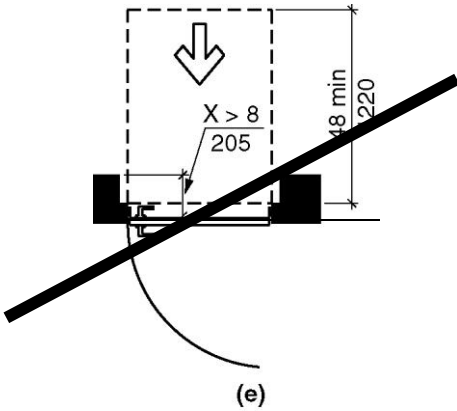


Figure 404.2.3.5(C) Recessed Doors and Gates – New Buildings - Push Side - Provided with Both Closer and Latch



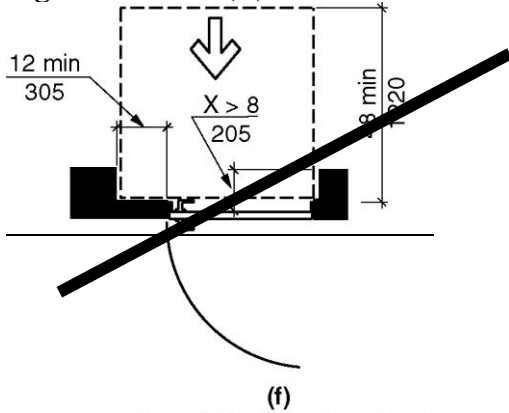
(d)
Pull Side

Figure 404.2.3.5(D) Recessed Doors and Gates – Existing Buildings – Pull Side



Push Side

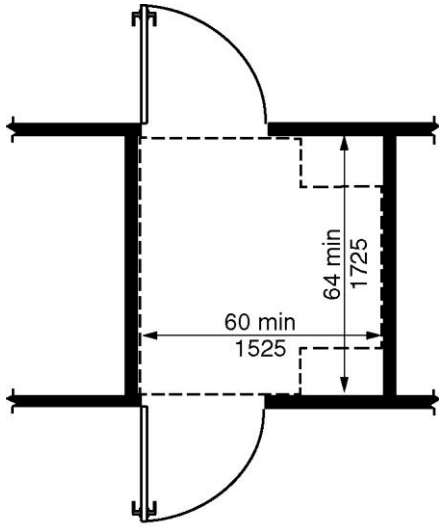
~~Figure 404.2.3.5(E) Recessed Doors and Gates — Existing Buildings — Push Side~~



Push Side, Door Provided
with Both Closer and Latch

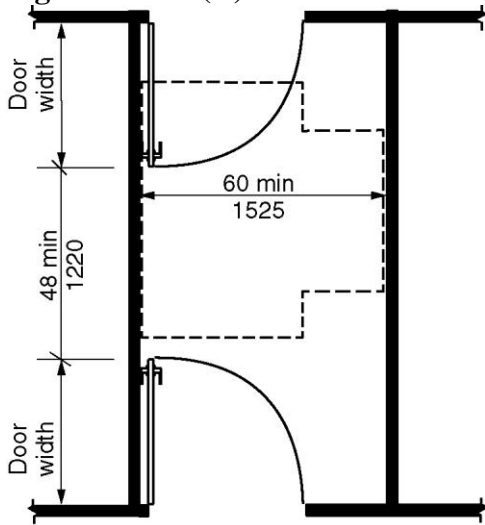
~~Figure 404.2.3.5(F) Recessed Doors and Gates — Existing Buildings — Push Side — Door Provided with Both Closer and Latch~~

404.2.5 Two doors or gates in series. Distance between two hinged or pivoted doors or gates in series shall be 48 inches (1220 mm) minimum plus the width of any door or gate swinging into the space. The space between the doors and gates shall provide a turning space.



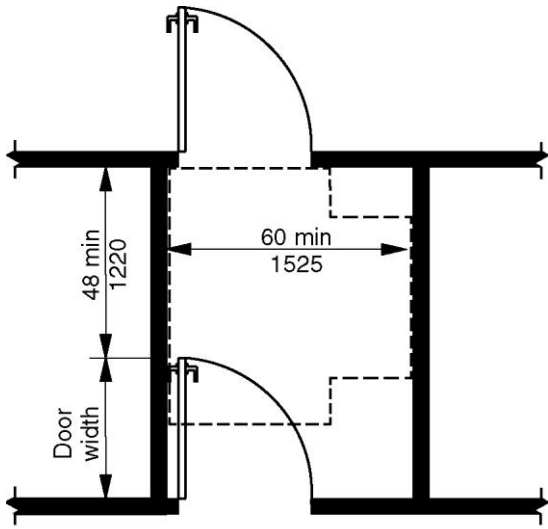
(a)

Figure 404.2.5(A) Two Doors or Gates in a Series - New Buildings



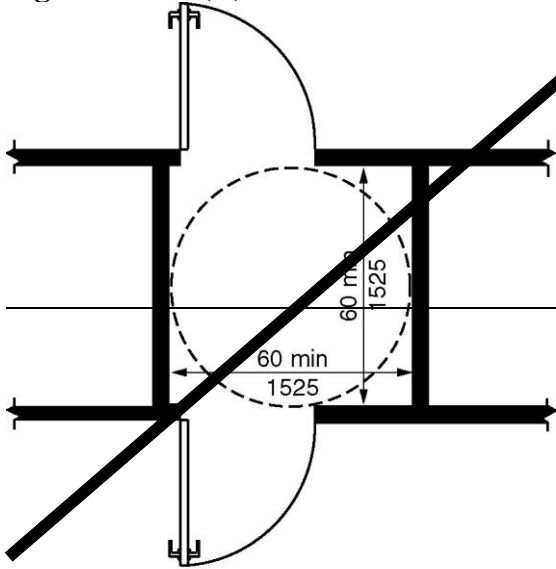
(b)

Figure 404.2.5(B) Two Doors or Gates in a Series - New Buildings



(c)

Figure 404.2.5(C) Two Doors or Gates in a Series - New Buildings



(d)

Figure 404.2.5(D) Two Doors or Gates in a Series - Existing Buildings

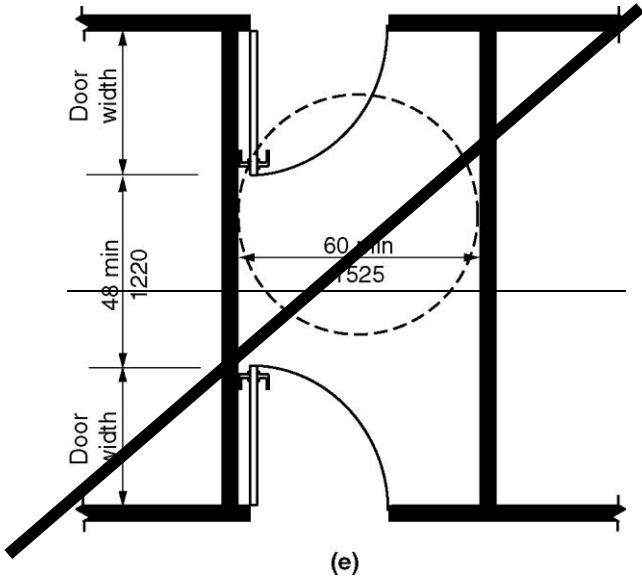


Figure 404.2.5(E) Two Doors or Gates in a Series – Existing Buildings

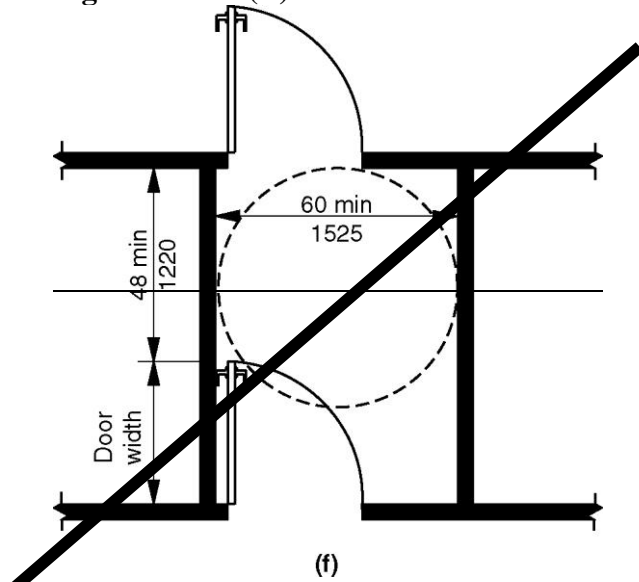


Figure 404.2.5(F) Two Doors or Gates in a Series – Existing Buildings

SECTION 409 PRIVATE RESIDENCE ELEVATORS

409.4 Elevator car requirements. Elevator cars shall comply with Section 409.4.

409.4.1 Inside dimensions.

409.4.1.1 New buildings. In new buildings, elevator Elevator cars shall provide a clear floor area 36 inches (915 mm) minimum in width and 52 inches (1320 mm) minimum in depth.

409.4.1.2 Existing buildings. In existing buildings, elevator cars shall provide a clear floor area 36 inches (915 mm) minimum in width and 48 inches (1220 mm) minimum in depth.

Exception: In existing buildings, elevator cars shall be permitted to provide a clear floor area 36 inches (915 mm) minimum in width and 48 inches (1220 mm) minimum in depth where the installation of a car complying with Section 409.4.1 would result in the removal or rearrangement of existing walls, partitions, enclosures, or stairs.

SECTION 410 PLATFORM LIFTS

410.5.1 Lifts with single door or doors on opposite ends.

~~410.5.1.1 New buildings.~~ In new buildings, platform Platform lifts with a single door or doors on opposite ends shall provide a clear floor width of 36 inches (915 mm) minimum and a clear floor depth of 52 inches (1320 mm) minimum.

Exceptions: 1. Incline platform lifts with passenger restraining arms, shall be permitted to provide a clear floor width of 36 inches (915 mm) minimum and a clear floor depth of 48 inches (1220 mm) minimum.

2. In existing buildings, platform lifts with a single door or with doors on opposite ends shall be permitted to provide a clear floor depth of 48 inches (1220 mm) minimum where compliance with the platform depth specified in Section 410.5.1 would result in the removal or rearrangement of existing walls, partitions, enclosures, or stairs.

~~410.5.1.2 Existing buildings.~~ In existing buildings, platform lifts with a single door or with doors on opposite ends shall provide a clear floor width of 36 inches (915 mm) minimum and a clear floor depth of 48 inches (1220 mm) minimum.

410.5.2 Platform lifts with doors on adjacent sides.

~~410.5.2.1 New buildings.~~ In new buildings, platform Platform lifts with doors on adjacent sides shall provide a clear floor width of 42 inches (1065 mm) minimum and a clear floor depth of 60 inches (1525 mm) minimum.

Exception. In existing buildings, platform lifts with doors on adjacent sides shall be permitted to provide a clear floor platform depth of 60 inches (1525 mm) where compliance with the platform depth specified in Section 410.5.2 would result in the removal or rearrangement of existing walls, partitions, enclosures, or stairs.

~~410.5.2.2 Existing buildings.~~ In existing buildings, platform lifts with doors on adjacent sides shall be permitted to provide a clear floor width of 36 inches (915 mm) and a clear floor depth of 60 inches (1525 mm).

SECTION 503 PASSENGER LOADING ZONES

503.3 Access aisle. Passenger loading zones shall have an adjacent access aisle complying with Section 503.3.

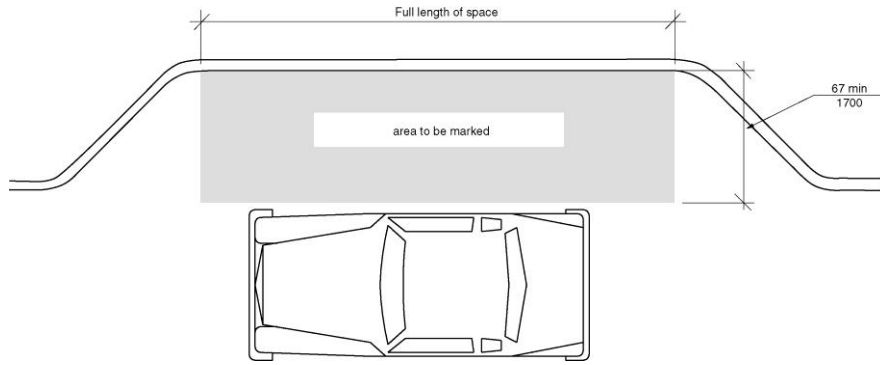


Figure 503.3(A) Passenger Loading Zone Access Aisle - New Buildings

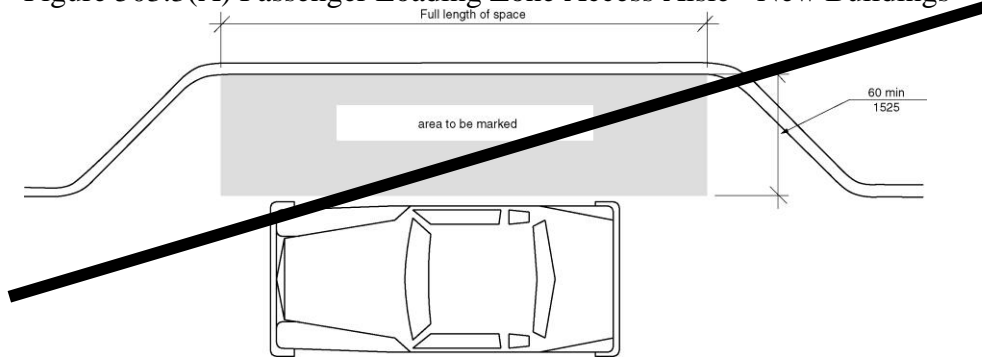


Figure 503.3(B) Passenger Loading Zone Access Aisle - Existing Buildings

503.3.1 Location. Access aisles shall adjoin an accessible route. Access aisles shall not overlap vehicular ways.

503.3.2 Width.

~~**503.3.2.1 New buildings and facilities.** In new buildings and facilities, aisles serving vehicle pull-up spaces shall be 67 inches (1700 mm) minimum in width.~~

~~**503.3.2.2 Existing buildings and facilities.** In existing buildings and facilities, access aisles serving vehicle pull-up spaces shall be 60 inches (1525 mm) minimum in width.~~

**SECTION 608
SHOWER COMPARTMENTS**

608.2.1.2 Clearance.

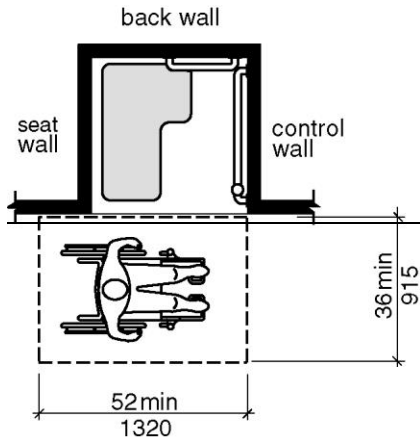


Figure 608.2.1.2(A) Transfer-type Shower Compartment Clearances - ~~New Buildings~~ - Option 1

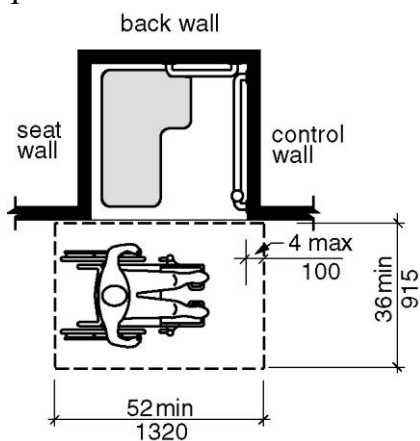
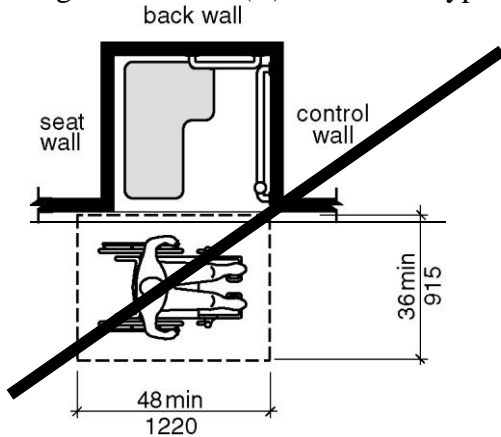


Figure 608.2.1.2(B) Transfer-type Shower Compartment Clearances - ~~New Buildings~~ - Option 2



~~Figure 608.2.1.2(C) Transfer-type Shower Compartment Clearances - Existing Buildings~~

608.2.1.2.1 New buildings and facilities. ~~In~~ In new buildings and facilities, a clearance of 52 inches (1320 mm) minimum in length and 36 inches (915 mm) minimum in depth shall be provided adjacent to the open face of the compartment. The length of the clear floor space shall be measured perpendicular from either the control wall or from 4 inches (100 mm) behind the control wall.

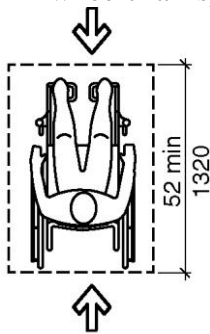
~~608.2.1.2.2 Existing buildings and facilities.~~ In existing buildings and facilities, a clearance of 48 inches (1220 mm) minimum in length measured perpendicular from the control wall, and 36 inches (915 mm) minimum in depth shall be provided adjacent to the open face of the compartment.

**SECTION 802
ASSEMBLY AREAS**

802.4 Depth.

~~802.4.1 New buildings and facilities.~~ In new buildings and facilities, where Where a wheelchair space is entered from the front or rear, the wheelchair space shall be 52 inches (1320 mm) minimum in depth. Where a wheelchair space is only entered from the side, the wheelchair space shall be 60 inches (1525 mm) minimum in depth.

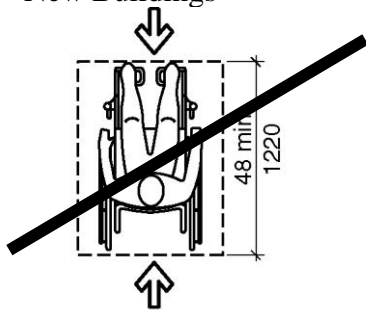
~~802.4.2 Existing buildings and facilities.~~ In existing buildings and facilities, where a wheelchair space is entered from the front or rear, the wheelchair space shall be 48 inches (1220 mm) minimum in depth. Where a wheelchair space is only entered from the side, the wheelchair space shall be 60 inches (1525 mm) minimum in depth.



(a) Front or Rear Access
New Buildings

Figure 802.4(A)
New Buildings

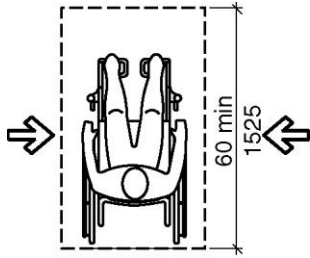
Depth of Wheelchair Space in Assembly Area - Front or Rear Access -



(b) Front or Rear Access
Existing Building

Figure 802.4(B)
Existing Buildings

~~Depth of Wheelchair Space in Assembly Area - Front or Rear Access -~~



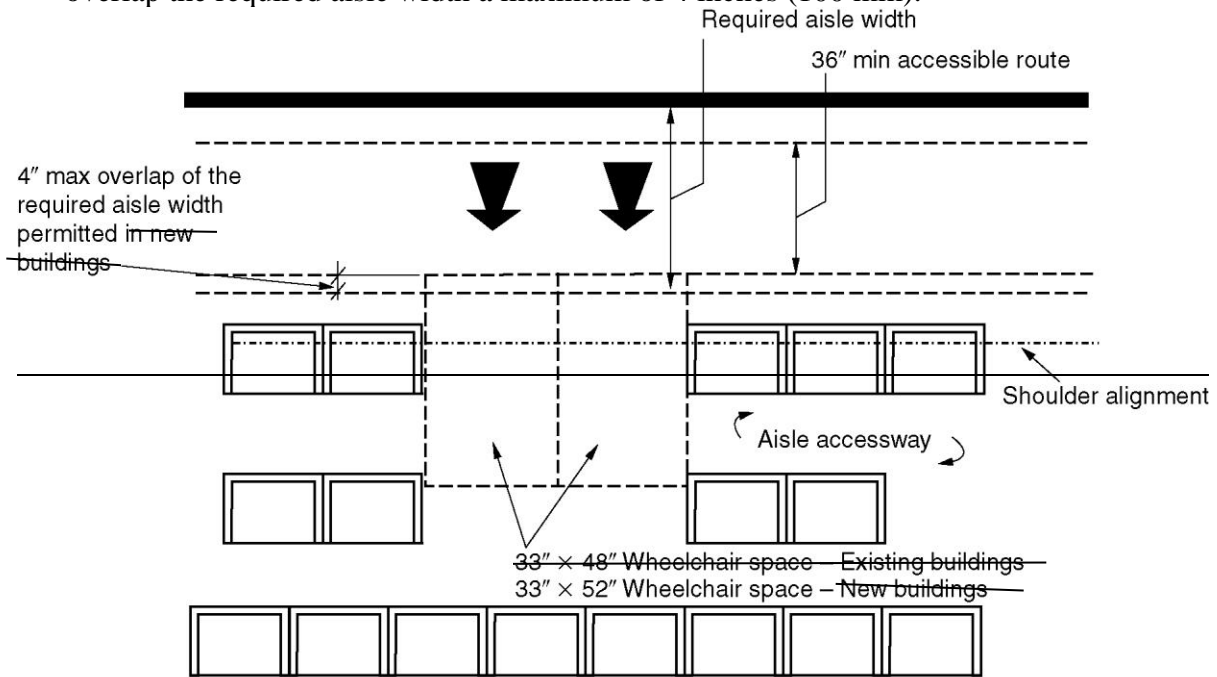
(c) Side Access
New and Existing Buildings

Figure 802.4(B) Depth of Wheelchair Space in Assembly Area - Side Access - ~~New and Existing Buildings~~

802.5 Approach. Wheelchair spaces shall adjoin an accessible route. The accessible route shall not overlap a wheelchair space.

802.5.1 Overlap. ~~A~~ The width of a wheelchair space shall not overlap the required width of an aisle.

~~Exception:~~ In new buildings, the ~~The~~ depth of a wheelchair space shall ~~be permitted to~~ overlap the required aisle width a maximum of 4 inches (100 mm).



(a) REAR APPROACH

Figure 802.5.1(A) Wheelchair Space Location Overlap - Rear Approach - ~~New and Existing Buildings~~

Figure 802.5.1(B) Wheelchair Space Location Overlap - Side Approach

802.7 Companion seat. A companion seat, complying with Section 802.7, shall be provided beside each wheelchair space.

802.7.1 Companion seat type. The companion seat shall be equivalent in size, quality, comfort and amenities to the seats in the immediate area to the wheelchair space location. Companion seats shall be permitted to be moveable.

802.7.2 Companion seat alignment. In row seating, the companion seat shall be located to provide shoulder alignment with the wheelchair space occupant. The shoulder of the wheelchair space occupant is considered to be 36 inches (915 mm) or more from the front and 12 inches (305 mm) or more from the rear of the wheelchair space. The floor surface for the companion seat shall be at the same elevation as the wheelchair space floor surface.

Exception: Companion seat alignment shall not be required in tiered seating that includes dining surfaces or work surfaces.

Figure 802.7.2(A) Companion Seat Alignment - Elevation

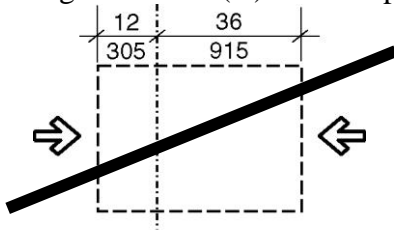


Figure 802.7.2(B) Companion Seat Alignment - Front or Rear Approach - Existing Buildings

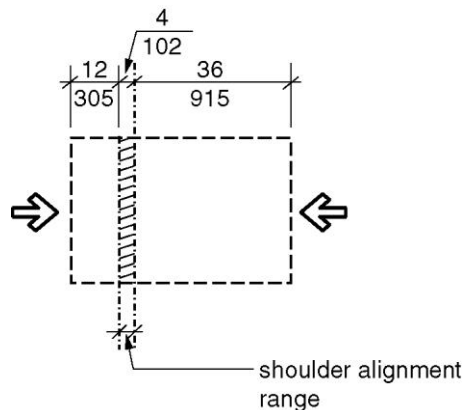


Figure 802.7.2(C) Companion Seat Alignment - Front or Rear Approach - New Buildings

Note: Renumber Figure 802.7.2(D)

SECTION 805 TRANSPORTATION FACILITIES

805.2.2 Dimensions.

805.2.2.1 New buildings and facilities. In new buildings and facilities, bus stop boarding and alighting areas shall have a 100-inch (2540 mm) minimum clear length, measured perpendicular to the curb or vehicle roadway edge, and a 60-inch (1525 mm) minimum clear width, measured parallel to the vehicle roadway.

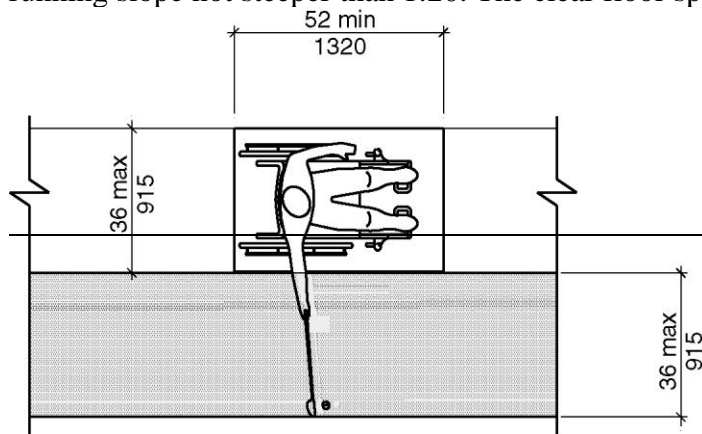
805.2.2.2 Existing buildings and facilities. In existing buildings and facilities, bus stop boarding and alighting areas shall have a 96 inch (2440 mm) minimum clear length, measured perpendicular to the curb or vehicle roadway edge, and a 60 inch (1525 mm) minimum clear width, measured parallel to the vehicle roadway.

**SECTION 1007
MINATURE GOLF FACILITIES**

1007.3.2 Golf club reach range area.

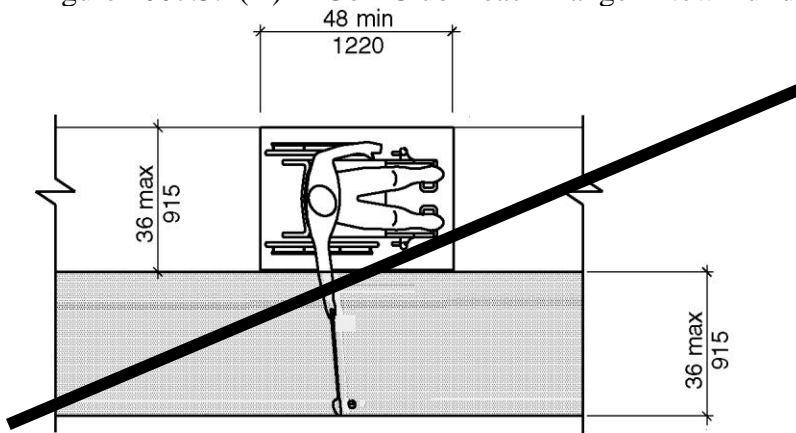
1007.3.2.1 New buildings and facilities. In new buildings and facilities, areas within holes where golf balls rest shall be within 36 inches (915 mm) maximum of a clear floor space 36 inches (915 mm) minimum in width and 52 inches (1320 mm) minimum in length having a running slope not steeper than 1:20. The clear floor space shall be served by an accessible route.

1007.3.2.2 Existing buildings and facilities. In existing building and facilities, areas within holes where golf balls rest shall be within 36 inches (915 mm) maximum of a clear floor space 36 inches (915 mm) minimum in width and 48 inches (1220 mm) minimum in length having a running slope not steeper than 1:20. The clear floor space shall be served by an accessible route.



Note: Running Slope of Clear Floor or Ground Space Not Steeper Than 1:20

Figure 1007.3.2(A) Golf Club Reach Range - New Buildings



Note: Running Slope of Clear Floor or Ground Space Not Steeper Than 1:20

Figure 1007.3.2(B) Golf Club Reach Range Existing Buildings

SECTION 1009
SWIMMING POOLS, WADING POOLS, HOT TUBS AND SPAS

1009.2.3 Clear deck space.

~~**1009.2.3.1 New buildings and facilities.** In new buildings and facilities, on On the side of the seat opposite the water, a clear deck space shall be provided parallel with the seat. The space shall be 36 inches (915 mm) minimum in width and shall extend forward 52 inches (1320 mm) minimum from a line located 12 inches (305 mm) behind the rear edge of the seat. The clear deck space shall have a slope not steeper than 1:48.~~

~~**1009.2.3.2 Existing buildings and facilities.** In existing buildings and facilities, on the side of the seat opposite the water, a clear deck space shall be provided parallel with the seat. The space shall be 36 inches (915 mm) minimum in width and shall extend forward 48 inches (1220 mm) minimum from a line located 12 inches (305 mm) behind the rear edge of the seat. The clear deck space shall have a slope not steeper than 1:48.~~

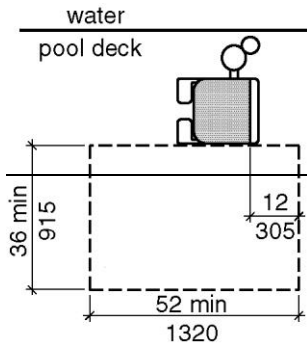


Figure 1009.2.3(A) Clear Deck Space at Pool Lifts – ~~New Buildings~~

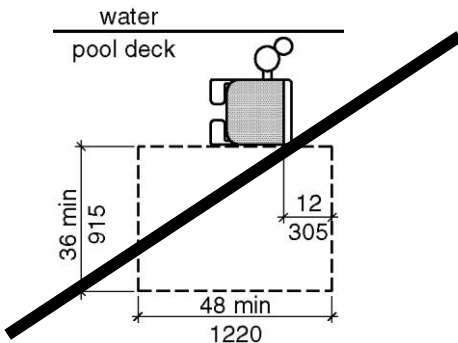


Figure 1009.2.3(B) ~~Clear Deck Space at Pool Lifts – Existing Buildings~~

REASON: The purpose of this proposal is to remove criteria for differing space requirements in “existing” buildings versus new construction for the following reasons:

1. Section 301.5 *Compliance with accessibility* of the 2018 International Existing Building Code (IEBC) references the 2009 ICC A117.1 and Section 306.2 of the 2021 Edition references the 2017. Both these editions permit application of the older space requirements

in existing facilities. If the Committee wishes to allow the use of older standards for accessibility in existing buildings and facilities, the IEBC is the appropriate location for such a requirement, not the technical standard. The IEBC presents the opportunity to allow more leeway depending on the size of the work area in relation to the aggregate area of the building.

2. it is highly unlikely that the next edition of the ICC A117.1 will be published in time to be referenced by the 2024 IBC or IEBC. Consequently, interested parties will have 10 years to adjust to the new space requirements.
3. With the duplicate material for new and existing buildings, the ICC A117.1 has become unwieldy and less easily comprehensible.
4. Since its first publication, the IEBC has provided that where compliance is “technically infeasible”, alterations must “provide access to the maximum extent technically feasible”. There is no logical reason to allow *all* alterations to provide spaces that are smaller than research shows are necessary to accommodate a meaningful range of people who use wheelchairs if they can comply with the accessibility requirements applicable to new construction or, as is permitted, if they can come close to those requirements without encountering technical infeasibility.

Except for the change to Exceptions 3 and 4 of Section 403.5.1, 409.4, 410.5, and Section 802.5.1, all of the changes proposed eliminate the criteria for existing buildings and facilities and editorially revise the criteria for new construction to be applicable to all construction.

Our proposed revisions to Exceptions 3 and 4 of Section 403.5.1 are intended to be editorial changes that are more consistent with the format for exceptions used in the Standard.

Proposed changes to Sections 409.4 Private Residence Elevators and 410.5 Platform Lifts allow the use of smaller car sizes and platforms only under certain conditions which we anticipate will be common in alterations that are not as extensive as most level 3 alteration as described in the International Existing Building Code. By limiting the application of the exception to these conditions, we believe we strike a balance between cost and benefit. Also, while many will, not all inspectors would interpret these conditions as constituting technical infeasibility.

The proposed change to Section 802.5.1 is made because it was necessary to distinguish between encroachments by the “width” and “length” of a wheelchair space into the required aisle width.

Sections containing provisions for existing elements that are unaffected by this change: 107.5, 201, 308.3, 404.2.4, 404.2.9, 405.2, 407.2.1, 407.2.2, 407.3.2, 407.3.3, 407.3.5, 407.4.1, 407.4.6, 407.4.7, 408.4.1, 608.6, 805.5.1, 805.9, 904.3, 1003.2.1, 1003.3.1, 1006.2, and 1102.5.

Committee Action: AS AM D

304.3 et al-MAZZ.doc

| | | |
|-------------------------------|----------------------------|---------------------------|
| Report for 03-03- 2021 | | |
| Committee decision: AS/AM/D | Committee Vote at Meeting: | Committee Vote on Ballot: |
| REPORT OF HEARING: | | |

| | | |
|--|-----------------------------------|----------------------------------|
| Report for 03-03– 2021 | | |
| Modification (if any): | | |
| Committee Reason: | | |
| PUBLIC COMMENT- FIRST DRAFT: | | |
| Proponent: | | |
| Desired Action: | | |
| Modification: | | |
| Reason: | | |
| <i>Committee decision: AS/AM/D</i> | <i>Committee Vote at Meeting:</i> | <i>Committee Vote on Ballot:</i> |
| REPORT OF HEARING – FIRST DRAFT | | |
| Modification (if any): | | |
| Committee Reason: | | |
| PUBLIC COMMENT- SECOND DRAFT: | | |
| Proponent: | | |
| Desired Action: | | |
| Modification: | | |
| Reason: | | |
| <i>Committee decision: AS/AM/D</i> | <i>Committee Vote at Meeting:</i> | <i>Committee Vote on Ballot:</i> |
| FINAL ACTION: | | |
| Modification (if any): | | |
| Committee Reason: | | |

03-04 – 2021

304.3, 305.2, 404.2.3.1, 405.7.1, 406.2.1, 406.3.1, 502.5, 503.4, 802.2, 805.5.1, 1002.4.2, 1009.2.2, 1009.2.3.1, 1009.2.3.2, 1009.4.1, 1009.5.2

Proponent: Marsha Mazz, representing United Spinal Association

Revise as follows:

SECTION 304 TURNING SPACE

304.3 Size and slope. Turning spaces shall comply with Section 304.3.1 or 304.3.2. Circular turning spaces shall not have slopes steeper than 1:48 measured along the diameter and along a line 90 degrees to the diameter. The base and arms of T-turns shall not have slopes steeper than 1:48 measured along the length and width.

SECTION 305 CLEAR FLOOR SPACE

305.2 Floor surfaces. Floor surfaces of a clear floor space shall comply with Section 302. Changes in level shall not be permitted within the clear floor space.

Exception: Running and cross slopes ~~Slopes~~ not steeper than 1:48 shall be permitted.

SECTION 404 DOORS, DOORWAYS AND GATES

404.2.3.1 Floor surface. The floor surface within the maneuvering clearances shall have a running and cross slopes ~~slope~~ not steeper than 1:48 and shall comply with Section 302.

SECTION 405 RAMPS

405.7.1 Slope. Landings shall have running and cross slopes ~~a slope~~ not steeper than 1:48 and shall comply with Section 302.

SECTION 406 CURB RAMPS AND BLENDED TRANSITIONS

406.2.1 Landings. A landing 48 inches (1220 mm) minimum by 48 inches (1220 mm) minimum shall be provided at the top of a curb ramp. The landing shall be permitted to overlap ~~pedestrian routes and clear spaces~~ other walking surfaces. Where the landing is constrained at the back-of-sidewalk, the landing shall be 48 inches (1220 mm) minimum by 60 inches (1525 mm) minimum. The 60-inch (1525 mm) dimension shall be provided in the direction of the curb ramp run. The ~~slope~~ running and cross slopes of landings shall not be steeper than 1:48 ~~maximum in all directions~~.

406.3.1 Landing. A landing 48 inches (1220 mm) minimum by 48 inches (1220 mm) minimum shall be provided at the bottom of a curb ramp. The landing shall be permitted to overlap ~~pedestrian routes and clear spaces~~ other walking surfaces. Where the landing is constrained on two or more sides, the landing shall be 48 inches (1220 mm) minimum by 60 inches (1525 mm) minimum. The ~~60 inches~~ 60-inch (1525 mm) dimension shall be provided in the direction of the pedestrian street crossing. The ~~slope~~ running and cross slopes of landings shall not be steeper than 1:48 ~~maximum in all directions~~.

SECTION 502 PARKING SPACES

502.5 Floor surfaces. Parking spaces and access aisles shall comply with Section 302 and shall not have surface slopes not steeper than 1:48 measured along their length and width. Access aisles shall be at the same level as the parking spaces they serve.

SECTION 503 PASSENGER LOADING ZONES

503.4 Floor surfaces. Vehicle pull-up spaces and access aisles serving them shall comply with Section 302 and shall not have surface slopes not steeper than 1:48 measured along their length and width. Access aisles shall be at the same level as the vehicle pull-up space they serve.

SECTION 802 ASSEMBLY AREAS

802.2 Floor surfaces. The floor surface of wheelchair space locations shall not have a slope running and cross slopes not steeper than 1:48 and shall comply with Section 302.

SECTION 805 TRANSPORTATION FACILITIES

805.5.1 Slope. Rail platforms shall not exceed a slope having running and cross slopes steeper than of 1:48 in all directions.

SECTION 1002 AMUSEMENT RIDES

1002.4.2 Slope. The floor surface of wheelchair spaces shall not have a slope running and cross slopes not steeper than 1:48 when in the load and unload position.

SECTION 1009 SWIMMING POOLS, WADING POOLS, HOT TUBS AND SPAS

1009.2.2 Seat location. In the raised position, the centerline of the seat shall be located over the deck and 16 inches (405 mm) minimum from the edge of the pool. The deck surface between the centerline of the seat and the pool edge shall not have a slope running and cross slopes not steeper than 1:48.

1009.2.3 Clear deck space.

1009.2.3.1 New buildings and facilities. In new buildings and facilities, on the side of the seat opposite the water, a clear deck space shall be provided parallel with the seat. The space shall be 36 inches (915 mm) minimum in width and shall extend forward 52 inches (1320 mm) minimum from a line located 12 inches (305 mm) behind the rear edge of the seat. The clear deck space shall not have ~~a slope~~ running and cross slopes not steeper than 1:48.

1009.2.3.2 Existing buildings and facilities. In existing buildings and facilities, on the side of the seat opposite the water, a clear deck space shall be provided parallel with the seat. The space shall be 36 inches (915 mm) minimum in width and shall extend forward 48 inches (1220 mm) minimum from a line located 12 inches (305 mm) behind the rear edge of the seat. The clear deck space shall not have ~~a slope~~ running and cross slopes not steeper than 1:48.

1009.4.1 Clear deck space. A clear deck space of 60 inches (1525 mm) minimum by 60 inches (1525 mm) minimum ~~with a slope not steeper than 1:48~~ shall be provided at the base of the transfer wall. The clear deck space shall not have running and cross slopes steeper than 1:48. Where one grab bar is provided, the clear deck space shall be centered on the grab bar. Where two grab bars are provided, the clear deck space shall be centered on the clearance between the grab bars.

1009.5.2 Transfer space. A transfer space of 60 inches (1525 mm) minimum by 60 inches (1525 mm) minimum ~~with a slope not steeper than 1:48~~ shall be provided at the base of the transfer platform surface. The transfer space shall not have running and cross slopes steeper than 1:48. The transfer space shall be centered along a 24-inch (610 mm) minimum side of the transfer platform. The side of the transfer platform serving the transfer space shall be unobstructed.

REASON: This proposal attempts to accomplish four things:

1. It establishes a new standard for measuring the slope in turning spaces. This requirement would apply wherever a turning space is required;
2. It clarifies how slopes are to be measured in sections that already limit the slope but, that are ambiguous as to where that slope is to be measured;
3. In Sections 406.2.1 and 406.3.1 we are proposing to revise the requirement that the slope measurement be taken “in all directions”. We are requesting this change this because a 2% slope in *all* directions results in a maximum slope closer to 3 % (2 times the square root of 2) or 2.8 which is more than that allowed in any *one* direction.
4. For the sake of clarity, we propose to conform the format where the requirements limiting slope are written differently.

For the most part, we have elected to require that measurements be taken along the “running slope” and “cross slope” because these terms are defined in the Standard:

“running slope: The slope that is parallel to the direction of travel”

“cross slope: The slope that is perpendicular to the direction of travel”.

These terms work well when the direction of travel is readily identifiable. For a few spaces, such as parking spaces and their access aisles, the direction of travel is less observable. Consequently,

for these few spaces, we would specify that the measurements be measured along the “length and width” of the spaces.

Committee Action: AS AM D

406.2.1-MAZZ.doc

| | | |
|--|-----------------------------------|----------------------------------|
| Report for 03-04- 2021 | | |
| <i>Committee decision: AS/AM/D</i> | <i>Committee Vote at Meeting:</i> | <i>Committee Vote on Ballot:</i> |
| REPORT OF HEARING: | | |
| Modification (if any): | | |
| Committee Reason: | | |
| PUBLIC COMMENT- FIRST DRAFT: | | |
| Proponent: | | |
| Desired Action: | | |
| Modification: | | |
| Reason: | | |
| <i>Committee decision: AS/AM/D</i> | <i>Committee Vote at Meeting:</i> | <i>Committee Vote on Ballot:</i> |
| REPORT OF HEARING – FIRST DRAFT | | |
| Modification (if any): | | |
| Committee Reason: | | |
| PUBLIC COMMENT- SECOND DRAFT: | | |
| Proponent: | | |
| Desired Action: | | |
| Modification: | | |
| Reason: | | |
| <i>Committee decision: AS/AM/D</i> | <i>Committee Vote at Meeting:</i> | <i>Committee Vote on Ballot:</i> |
| FINAL ACTION: | | |
| Modification (if any): | | |
| Committee Reason: | | |

03-05 – 2021

304.3.1.1, 304.3.2.1.1

Proponent: Kimberly Paarlberg, represent International Code Council

Revise as follows:

SECTION 304 TURNING SPACE

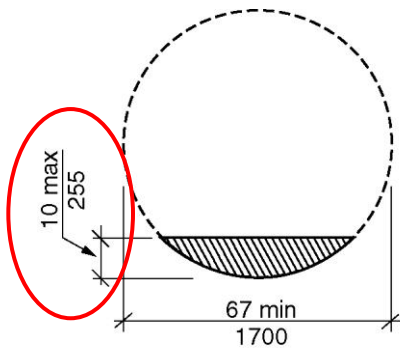
304.3 Size. Turning spaces shall comply with Section 304.3.1 or 304.3.2.

304.3.1 Circular space.

304.3.1.1 New buildings and facilities. In new buildings and facilities, the turning space shall be a circular space with a 67-inch (1700 mm) minimum diameter.

304.3.1.1.1 Overlap. Turning spaces shall be permitted to include knee and toe clearance complying with Section 306. Where the turning space includes knee and toe clearances under an obstruction, the overlap shall comply with all of the following:

1. The depth of the overlap shall not be more than ~~10~~ 22 inches (~~255~~ 560 mm), and
2. The depth shall not exceed the depth of the knee and toe clearances provided, and
3. The overlap shall be permitted only within the turning circle area shown shaded in Figure 304.3.1.



▨ Overlap of knee and toe clearance

FIGURE 304.3.1.1

CIRCULAR TURNING SPACE - NEW BUILDINGS

|

304.3.1.2 Existing buildings and facilities. In existing buildings and facilities, the turning space shall be a circular space with a 60-inch (1525 mm) minimum diameter.

304.3.1.2.1 Overlap. Turning spaces shall be permitted to include knee and toe clearance complying with Section 306.

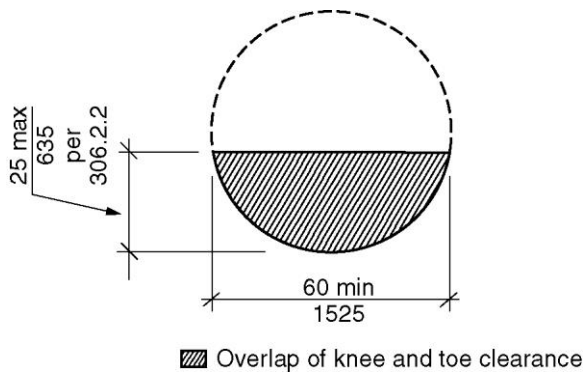


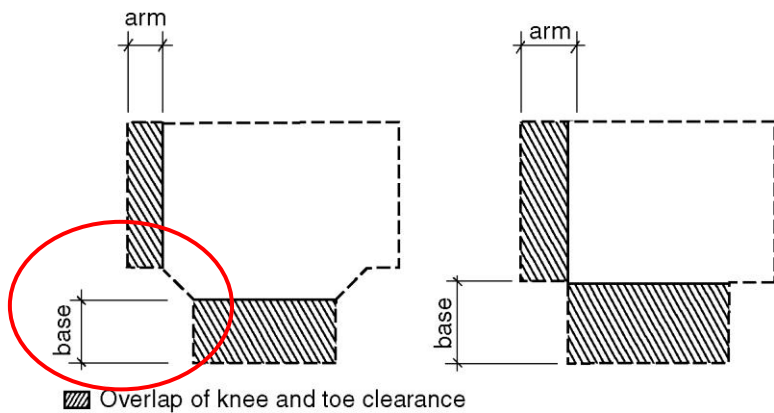
FIGURE 304.3.1.2
CIRCULAR TURNING SPACE - EXISTING BUILDINGS - SIZE

304.3.2 T-Shaped space.

304.3.2.1 New buildings and facilities. In new buildings and facilities, the turning space shall be a T-shaped space complying with one of the following:

1. A T-shaped space, clear of obstruction, that fits within an area 68 inches (1725 mm) wide and 60 inches (1525 mm) deep, with two arms and one base that are all 36 inches (915 mm) minimum in width. Each arm shall extend 16 inches (405 mm) minimum from each side of the base located opposite the other, and the base shall extend 24 inches (610 mm) minimum from the arms. At the intersection of each arm and the base, the interior corners shall be chamfered for 8 inches (205 mm) minimum along both the arm and along the base.
2. A T-shaped space, clear of obstruction, that fits within an area 64 inches (1625 mm) wide and 60 inches (1525 mm) deep, with two arms 38 inches (965 mm) minimum in width and a base 42 inches (1065 mm) minimum in width. Each arm shall extend 11 inches (280 mm) minimum from each side of the base, located opposite the other, and the base shall extend 22 inches (560 mm) minimum from each arm.
3. A T-shaped space, clear of obstruction, 64 inches (1625 mm) wide and 60 inches (1525 mm) deep, with two arms and one base 40 inches (1015 mm) minimum in width. Each arm shall extend 12 inches (305 mm) minimum from each side of the base and the base shall extend 20 inches (510 mm) minimum from each arm.

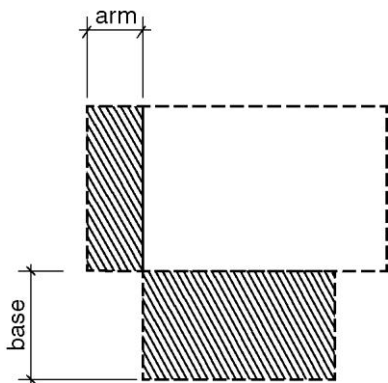
304.3.2.1.1 Overlap. Turning spaces shall be permitted to include knee and toe clearance complying with Section 306 of either the base or one arm. For Option 1, the base or arm is ~~the portion beyond~~ includes the chamfer.



**FIGURE 304.3.2.1.1
T-SHAPED TURNING SPACE**

304.3.2.2 Existing buildings and facilities. In existing buildings and facilities, the turning space shall be a T-shaped space within a 60-inch (1525 mm) minimum square, with arms and base 36 inches (915 mm) minimum in width. Each arm of the T shall be clear of obstructions 12 inches (305 mm) minimum in each direction, and the base shall be clear of obstructions 24 inches (610 mm) minimum.

304.3.2.2.1 Overlap. Turning spaces shall be permitted to include knee and toe clearance complying with Section 306 only at the end of either the base or one arm.

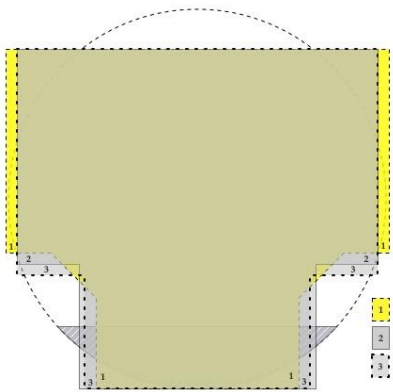


**FIGURE 304.3.2.2.1
T-SHAPED TURNING SPACE - EXISTING BUILDINGS**

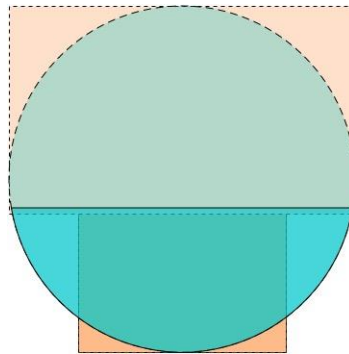
REASON: The purpose of this proposal is to coordinate the overlap allowances for turning spaces. The A117.1 decided not to change the knee and toe clearances between the 2009 and 2017 edition. The turning spaces have increased in size and substantially limited the overlap at the same time. Since the circle and T-turn are to turn 180 degrees, they should be consistent – while now there are substantial differences in all 4 options. With the larger turning space, these proposals will still be a reduction on the total percentage of the turning space permitted under the

sink, counter or drinking fountain. With the current text people just play games with the options to get the best for that design – thus making it much harder to verify compliance. Below are proportional comparisons of the existing and new construction requirements.

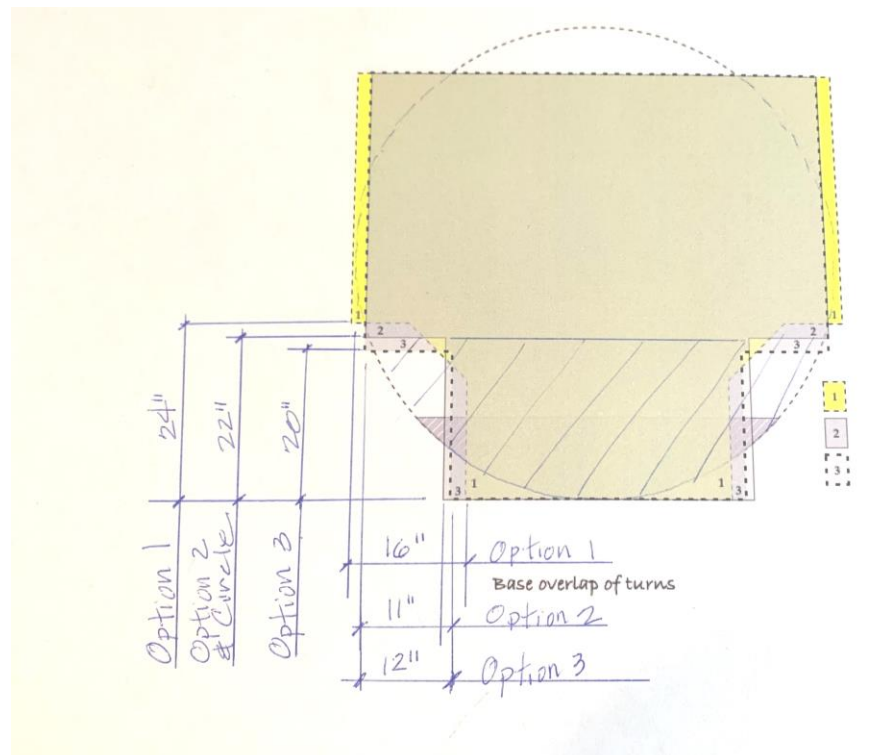
This is less than what is permitted for existing building, but would offer some level of consistency. The overlap would not increase for the Option 2 and 3 of the T-turns. The overlap for the T-turn with the chamfer would increase from 16” to 24”, but this should be balanced by the 16” of extra width required to accommodate the chamfers. The circle would increase to match Option 2 of the T-turns, which is the middle ground of the 3 T-turn options. With the increased size for the circle, the overlap would be 33% instead of what is the 25” or 42% that is permitted for existing buildings.



Overlap allowance for new



Overlap allowed for existing



Proposed overlap allowance

Committee Action: AS AM D

303.4-PAARLBERG.doc

| | | |
|--|-----------------------------------|----------------------------------|
| Report for 03-05- 2021 | | |
| Committee decision: AS/AM/D | Committee Vote at Meeting: | Committee Vote on Ballot: |
| REPORT OF HEARING: | | |
| Modification (if any): | | |
| Committee Reason: | | |
| PUBLIC COMMENT- FIRST DRAFT: | | |
| Proponent: | | |
| Desired Action: | | |
| Modification: | | |
| Reason: | | |
| Committee decision: AS/AM/D | Committee Vote at Meeting: | Committee Vote on Ballot: |
| REPORT OF HEARING – FIRST DRAFT | | |
| Modification (if any): | | |
| Committee Reason: | | |
| PUBLIC COMMENT- SECOND DRAFT: | | |
| Proponent: | | |
| Desired Action: | | |
| Modification: | | |
| Reason: | | |
| Committee decision: AS/AM/D | Committee Vote at Meeting: | Committee Vote on Ballot: |
| FINAL ACTION: | | |
| Modification (if any): | | |
| Committee Reason: | | |

03-06 – 2021

305.5, 611.2, 804.5.3, 1104.11.3.1.1, 1104.12.2.1, 1104.12.2.3.3

Proponent: Edward Steinfeld, IDEA Center, University at Buffalo, representing RESNA

Revise as follows:

SECTION 305 CLEAR FLOOR SPACE

305.5 Position. Unless otherwise specified, clear floor spaces shall be provided as follows:

1. Positioned for either a forward or parallel approach to an element.
2. Centered on the appliance, equipment or fixture.

Exception: An 8 inch (203 mm) maximum offset from the centerline is permitted for a parallel approach.

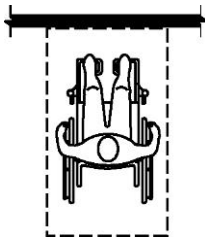


FIGURE 305.5(A)

POSITION OF CLEAR FLOOR SPACE – FORWARD

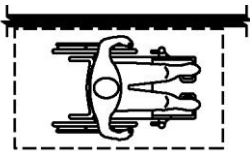
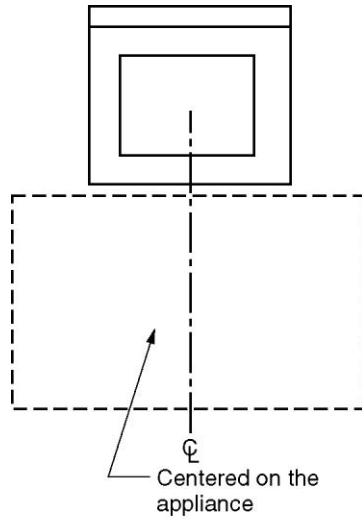


FIGURE 305.5(B)

POSITION OF CLEAR FLOOR SPACE – PARALLEL

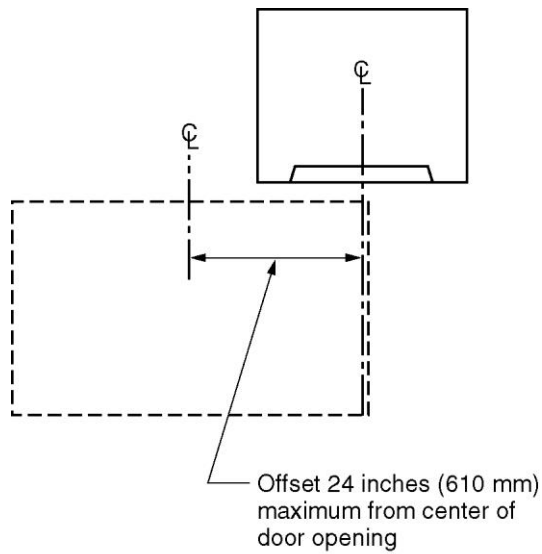
SECTION 611 WASHING MACHINES AND CLOTHES DRYERS

611.2 Clear floor space. A clear floor space positioned for parallel approach shall be provided. ~~For top loading machines, the clear floor space shall be centered on the appliance.~~ For front loading machines, the centerline of the clear floor space shall be offset 24 inches (610 mm) maximum from the centerline of the door opening.



(a) Top Loading

**FIGURE 611.2(A)
CLEAR FLOOR SPACE - TOP LOADING**



(b) Front Loading

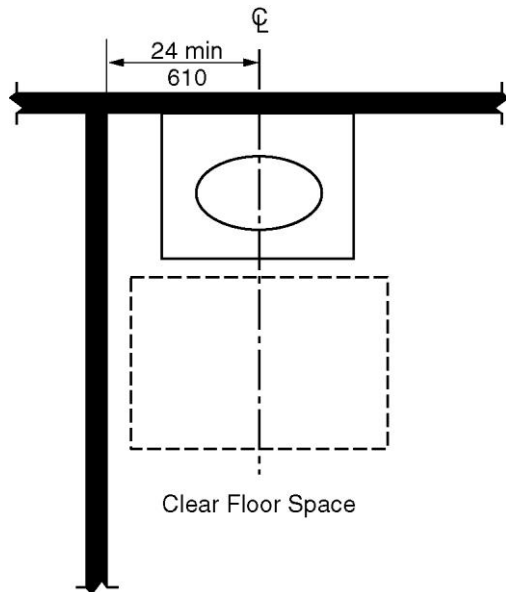
**FIGURE 611.2(B)
CLEAR FLOOR SPACE - FRONT LOADING**

SECTION 804 KITCHENS

804.5.4.3 Parallel approach. Where the clear floor space is positioned for a parallel approach, the clear floor space shall be ~~centered on the appliance~~ positioned in accordance with Section 305.5.

SECTION 1104 TYPE B UNITS

1104.11.3.1.1 Lavatory. A clear floor space positioned for a parallel approach shall be provided at a lavatory. The clear floor space shall be ~~entered on the lavatory~~ positioned in accordance with Section 305.5.



**FIGURE 1104.11.3.1.1
LAVATORY IN TYPE B UNITS - OPTION A BATHROOMS**

1104.12.2.1 Sink. A clear floor space, positioned for a parallel approach to the sink, shall be provided. The clear floor space shall be ~~entered on the sink bowl.~~ positioned in accordance with Section 305.5.

1104.12.2.3.3 Parallel approach. Where the clear floor space is positioned for a parallel approach, the clear floor space shall be ~~entered on the appliance~~ positioned in accordance with Section 305.5.

REASON: This section does not have the centering requirement found in section 11. Further, the wording elsewhere in the standard for parallel approaches is inconsistent regarding centering which is confusing and ambiguous. For example, Section 606.2, 704.2.1.1 and do not mention centering. It would be better to locate the centering requirement here as part of the building blocks and deleted elsewhere. Further, an exception is needed for the parallel approach to devices and equipment where centering is not the ideal solution. Research at the IDEA Center (and logic) demonstrates that centering clear floor area for a parallel approach actually reduces accessibility with a parallel approach because the shoulder of a wheeled mobility device user is not centered in the clear floor space. Further, appliances and fixtures do not always have their operable parts at the center of the device. Flexibility is needed to provide the best solution for each application. The attached summary of research findings provides support for the 8 in. offset.

For the front approach, the difference in reachability between centering the clear floor area and offsetting it is so minimal that the offset exception is not needed.

Committee Action: AS AM D

305.5-STEINFELD.doc

| | | |
|--|-----------------------------------|----------------------------------|
| Report for 03-06– 2021 | | |
| <i>Committee decision: AS/AM/D</i> | <i>Committee Vote at Meeting:</i> | <i>Committee Vote on Ballot:</i> |
| REPORT OF HEARING: | | |
| Modification (if any): | | |
| Committee Reason: | | |
| PUBLIC COMMENT- FIRST DRAFT: | | |
| Proponent: | | |
| Desired Action: | | |
| Modification: | | |
| Reason: | | |
| <i>Committee decision: AS/AM/D</i> | <i>Committee Vote at Meeting:</i> | <i>Committee Vote on Ballot:</i> |
| REPORT OF HEARING – FIRST DRAFT | | |
| Modification (if any): | | |
| Committee Reason: | | |
| PUBLIC COMMENT- SECOND DRAFT: | | |
| Proponent: | | |
| Desired Action: | | |
| Modification: | | |
| Reason: | | |
| <i>Committee decision: AS/AM/D</i> | <i>Committee Vote at Meeting:</i> | <i>Committee Vote on Ballot:</i> |
| FINAL ACTION: | | |
| Modification (if any): | | |
| Committee Reason: | | |

03-07 – 2021
307.2

Proponent: Edward Steinfeld, IDEA Center, University at Buffalo, representing RESNA

Revise as follows:

SECTION 307
PROTRUDING OBJECTS

307.2 Protrusion limits. Objects with leading edges more than 27 inches (685 mm) and not more than 80 inches (2030mm) above the floor shall protrude 4 inches (100 mm) maximum horizontally into a circulation path.

Exception: Leading edges of overhanging fixtures, countertops and equipment configured for front approach are not consisted a protruding object.

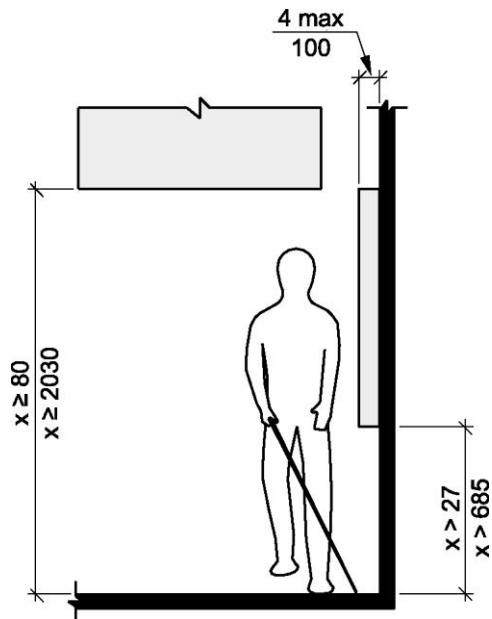


FIGURE 307.2
LIMITS OF PROTRUDING OBJECTS

REASON: There is a conflict between this requirement and other requirements for knee clearances at lavatories, water fountains, baby changing tables, and other fixtures. These are not really protruding objects that can cause an accident.

Committee Action: AS AM D

307.2-STEINFELD.doc

| | | |
|-------------------------------|----------------------------|---------------------------|
| Report for 03-07– 2021 | | |
| Committee decision: AS/AM/D | Committee Vote at Meeting: | Committee Vote on Ballot: |
| REPORT OF HEARING: | | |

| | | |
|--|-----------------------------------|----------------------------------|
| Report for 03-07- 2021 | | |
| Modification (if any): | | |
| Committee Reason: | | |
| PUBLIC COMMENT- FIRST DRAFT: | | |
| Proponent: | | |
| Desired Action: | | |
| Modification: | | |
| Reason: | | |
| <i>Committee decision: AS/AM/D</i> | <i>Committee Vote at Meeting:</i> | <i>Committee Vote on Ballot:</i> |
| REPORT OF HEARING – FIRST DRAFT | | |
| Modification (if any): | | |
| Committee Reason: | | |
| PUBLIC COMMENT- SECOND DRAFT: | | |
| Proponent: | | |
| Desired Action: | | |
| Modification: | | |
| Reason: | | |
| <i>Committee decision: AS/AM/D</i> | <i>Committee Vote at Meeting:</i> | <i>Committee Vote on Ballot:</i> |
| FINAL ACTION: | | |
| Modification (if any): | | |
| Committee Reason: | | |

03-08 – 2021

307.3

Proponent: Peter A. Stratton, Steven Winter Associates, Inc.

Revise as follows:

SECTION 307 PROTRUDING OBJECTS

307.3 Post-mounted objects. Objects on posts or pylons shall be permitted to overhang 4 inches (100 mm) maximum where more than 27 inches (685 mm) and not more than 80 inches (2030 mm) above the floor. Objects on multiple posts or pylons where the clear distance between posts or pylons is greater than 12 inches (305 mm) shall have the lowest edge of such object either 27 inches (685 mm) maximum or 80 inches (2030 mm) minimum above the floor.

Exception Exceptions:

1. Sloping portions of handrails between the top and bottom riser of stairs and above the ramp run shall not be required to comply with this section.
2. Objects on standpipes within exit stairway enclosures shall not be required to comply with this section.

REASON: Standpipe systems in enclosed fire stairs are required to be installed in buildings to allow the fire department to connect fire hoses in the event of a fire. In 100% of all cases, horizontal valves to which a fire hose is connected protrude more than 4 inches from the vertical standpipe at up to 16 inches. In other words, horizontal valves that are a part of the standpipe system can never comply with the 4-inch protrusion limit imposed by Section 307.3. For this reason, horizontal valves protruding from vertical standpipes are important for fire safety and should remain as installed and be exempt from the 4 inch protrusion limit imposed by 307.3.

Committee Action: AS AM D

307.3-STRATTON.doc

| | | |
|--|-----------------------------------|----------------------------------|
| Report for 03-08 2021 | | |
| <i>Committee decision: AS/AM/D</i> | <i>Committee Vote at Meeting:</i> | <i>Committee Vote on Ballot:</i> |
| REPORT OF HEARING: | | |
| Modification (if any): | | |
| Committee Reason: | | |
| PUBLIC COMMENT- FIRST DRAFT: | | |
| Proponent: | | |
| Desired Action: | | |
| Modification: | | |
| Reason: | | |
| <i>Committee decision: AS/AM/D</i> | <i>Committee Vote at Meeting:</i> | <i>Committee Vote on Ballot:</i> |
| REPORT OF HEARING – FIRST DRAFT | | |
| Modification (if any): | | |
| Committee Reason: | | |
| PUBLIC COMMENT- SECOND DRAFT: | | |
| Proponent: | | |
| Desired Action: | | |
| Modification: | | |
| Reason: | | |
| <i>Committee decision: AS/AM/D</i> | <i>Committee Vote at Meeting:</i> | <i>Committee Vote on Ballot:</i> |
| FINAL ACTION: | | |
| Modification (if any): | | |
| Committee Reason: | | |

03-09 – 2021

307.4, Figure 307.4

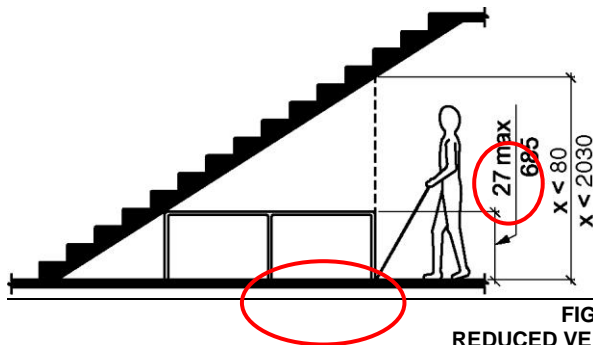
Proponent: Gene Boecker, Code Consultants, Inc.

Revise as follows:

SECTION 307 PROTRUDING OBJECTS

307.4 Vertical clearance. Vertical clearance shall be 80 inches (2030 mm) minimum. Rails or other barriers shall be provided where the vertical clearance is less than 80 inches (2030 mm). The leading edge of such rails or barrier shall be located between 10 inches (255 mm) and 27 inches (685 mm) above the floor. Where the clear distance between vertical supports for a horizontal element is greater than 12 inches (305 mm), an intermediate horizontal element shall be provided at a height between 10 inches (255 mm) and 18 inches (455 mm) above the floor.

Exception: Door closers and door stops shall be permitted to be 78 inches (1980 mm) minimum above the floor.



REASON: This includes two changes. The first is a minimum height for a horizontal element. A height of 10 inches was proposed based on several factors. It should be high enough that it cannot be mistaken for a step on a stair. It should be high enough that it can be relatively seen by seeing people and not confused with the floor surface. And, it should be of a height that acts as a barrier to dogs. Which is also the reason for the second proposal.

The second part of this is a recommendation for an intermediate horizontal rail when a higher rail is used. As currently written, a single horizontal rail at 27 inches would be acceptable. However, service dogs can step over low elements or walk under a single rail at 27 inches in height. A dimension of 18 inches is proposed as the maximum separation between horizontal elements. That way, if a cane detectable horizontal flat bar is placed at 20 inches in height, an intermediate would be required. Any height between the two would be acceptable. If the top element is at a handrail height of 36 inches only a single intermediate handrail would be required. This is similar to the guard requirements in the building code for areas that are not open to the public (e.g., loading docks, industrial/utility areas) so the design concept would not be new (IBC 1015.4, exception 4 – which uses a 21-inch sphere limitation).

Committee Action:

AS

AM

D

307.4-BOECKER.doc

| Report for 03-09- 2021 | | |
|--|-----------------------------------|----------------------------------|
| <i>Committee decision: AS/AM/D</i> | <i>Committee Vote at Meeting:</i> | <i>Committee Vote on Ballot:</i> |
| REPORT OF HEARING: | | |
| Modification (if any): | | |
| Committee Reason: | | |
| PUBLIC COMMENT- FIRST DRAFT: | | |
| Proponent: | | |
| Desired Action: | | |
| Modification: | | |
| Reason: | | |
| <i>Committee decision: AS/AM/D</i> | <i>Committee Vote at Meeting:</i> | <i>Committee Vote on Ballot:</i> |
| REPORT OF HEARING – FIRST DRAFT | | |
| Modification (if any): | | |
| Committee Reason: | | |
| PUBLIC COMMENT- SECOND DRAFT: | | |
| Proponent: | | |
| Desired Action: | | |
| Modification: | | |
| Reason: | | |
| <i>Committee decision: AS/AM/D</i> | <i>Committee Vote at Meeting:</i> | <i>Committee Vote on Ballot:</i> |
| FINAL ACTION: | | |
| Modification (if any): | | |
| Committee Reason: | | |

03-10 – 2021

309.1

Proponent: Ashley Pitts, Jensen Hughes, Inc.

Revise as follows:

SECTION 309 OPERABLE PARTS

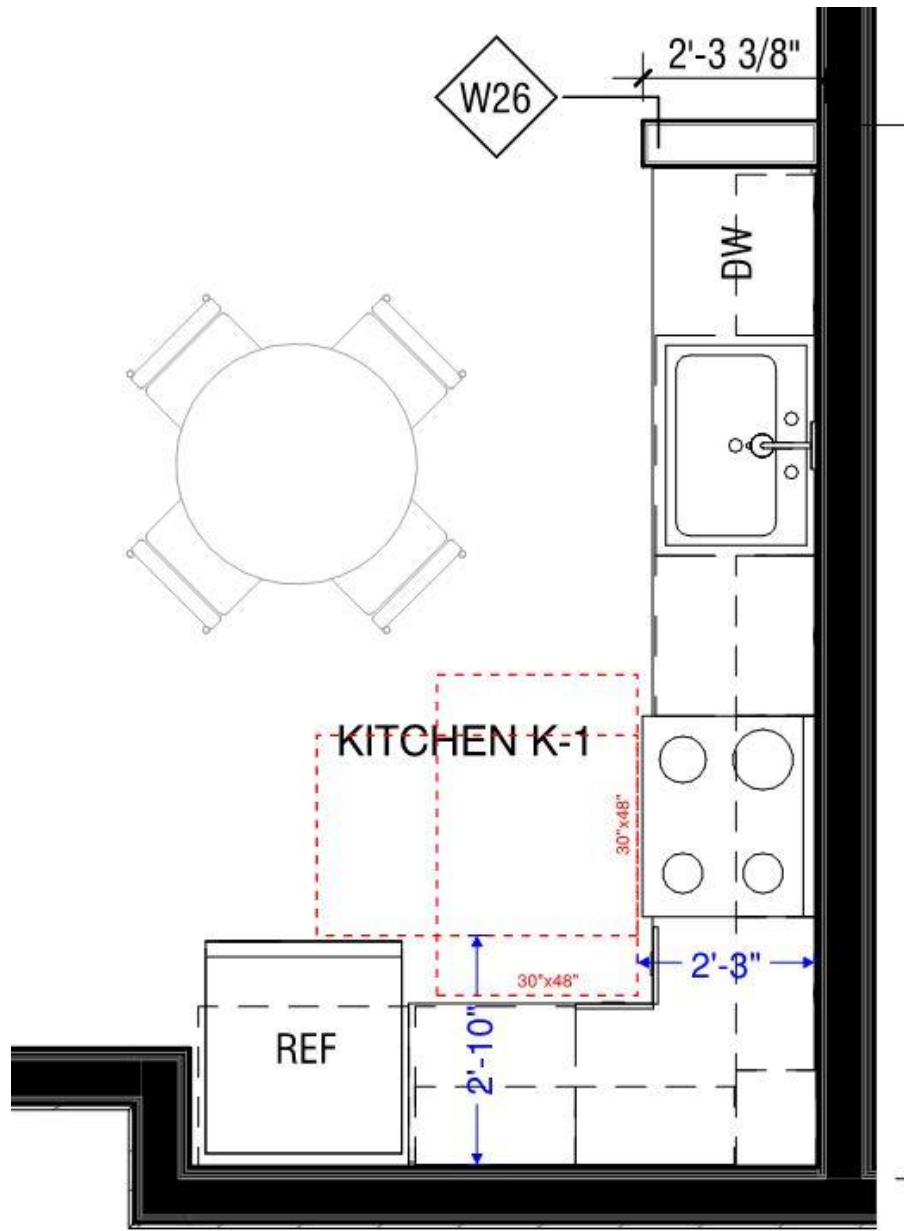
309.1 General. Operable parts shall comply with Section 309.

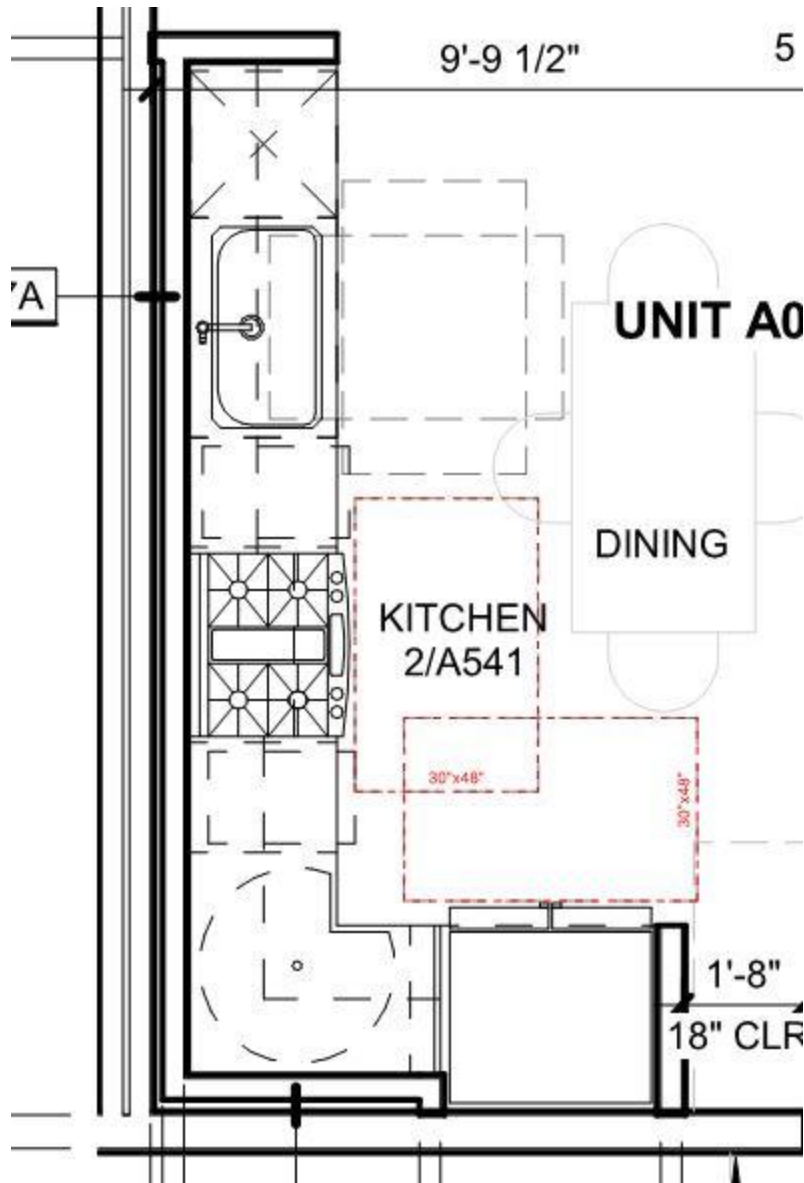
Exceptions:

1. Receptacle outlets serving a dedicated use.
2. Where two or more receptacle outlets are provided in a kitchen above a length of countertop that is uninterrupted by a sink or appliance, one receptacle outlet shall not be required to comply with this section.
3. In a kitchen, where a clear floor space for a parallel approach cannot be located at a countertop in a corner between appliances, receptacle outlets over the counter-top shall not be required to comply with this section provided that the countertop area does not exceed 9 square feet (0.835 m²) maximum.
4. In a kitchen in an Accessible or Type A dwelling unit or sleeping unit, freestanding or slide-in appliances are not considered to impact the reach depth to receptacle outlets, switches or controls over the countertop.
- ~~45.~~ Floor receptacle outlets.
- ~~56.~~ HVAC diffusers.
- ~~67.~~ Controls mounted on ceiling fans.
- ~~78.~~ Where redundant controls other than light switches are provided for a single element, one control in each space shall not be required to comply with this section.
- ~~89.~~ Reset buttons and shut-offs serving appliances, piping and plumbing fixtures.
- ~~910.~~ Electrical panelboards shall not be required to comply with Section 309.4.
- ~~1011.~~ Emergency aid devices, such as fire department hose connections, valve controls, gauges, police call boxes and annunciator panels shall not be required to comply with this section provided that they are used only for emergencies by emergency personnel acting in their official capacity.

REASON: The proposed change affects kitchens in Accessible and Type A dwelling units or sleeping units. The standard should clarify whether appliance protrusions, such as range and refrigerator protrusions, can be ignored for purposes of complying with the limitations for side reach over kitchen counters. Standard appliances such as ranges and refrigerators protrude beyond the face of the countertop several inches. In typical kitchen arrangements, there are commonly sections of countertop between these appliances, or between these appliances and other elements, where a parallel clear floor space cannot be positioned directly adjacent to the countertop due to an appliance protrusion. This issue does not only occur at “inside corners,” but also commonly occurs at linear kitchens with less than 48” between appliance protrusions.







Committee Action: AS AM D

309.1-PITTS.doc

| | | |
|--|-----------------------------------|----------------------------------|
| Report for 03-10- 2021 | | |
| <i>Committee decision: AS/AM/D</i> | <i>Committee Vote at Meeting:</i> | <i>Committee Vote on Ballot:</i> |
| REPORT OF HEARING: | | |
| Modification (if any): | | |
| Committee Reason: | | |
| PUBLIC COMMENT- FIRST DRAFT: | | |
| Proponent: | | |
| Desired Action: | | |
| Modification: | | |
| Reason: | | |
| <i>Committee decision: AS/AM/D</i> | <i>Committee Vote at Meeting:</i> | <i>Committee Vote on Ballot:</i> |
| REPORT OF HEARING – FIRST DRAFT | | |
| Modification (if any): | | |
| Committee Reason: | | |
| PUBLIC COMMENT- SECOND DRAFT: | | |
| Proponent: | | |
| Desired Action: | | |

Report for 03-10- 2021

Modification:

Reason:

Committee decision: AS/AM/D**Committee Vote at Meeting:****Committee Vote on Ballot:****FINAL ACTION:**

Modification (if any):

Committee Reason:

03-11 – 2021

309.1

Proponent: Gina Hilberry, Cohen Hilberry Architects representing United Cerebral Palsy

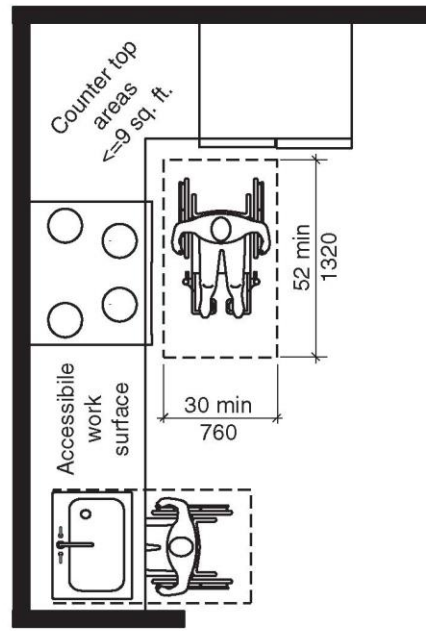
Revise as follows:

SECTION 309 OPERABLE PARTS

309.1 General. Operable parts shall comply with Section 309.

Exceptions:

1. Receptacle outlets serving a dedicated use.
2. Where two or more receptacle outlets are provided in a kitchen above a length of countertop that is uninterrupted by a sink or appliance, at least one receptacle outlet shall ~~not be required~~ to comply with this section.
3. In a kitchen, where a clear floor space for a parallel approach cannot be located at a countertop in a corner between appliances, receptacle outlets over the countertop shall not be required to comply with this section provided that the countertop area does not exceed 9 square feet (0.47 m²) maximum.
4. Floor receptacle outlets.
5. HVAC diffusers.
6. Controls mounted on ceiling fans.
7. Where redundant controls other than light switches are provided for a single element, one control in each space shall not be required to comply with this section.
8. Reset buttons and shut-offs serving appliances, piping and plumbing fixtures.
9. Electrical panelboards shall not be required to comply with Section 309.4.
10. Emergency aid devices, such as fire department hose connections, valve controls, gauges, police call boxes and annunciator panels shall not be required to comply with this section provided that they are used only for emergencies by emergency personnel acting in their official capacity.



**FIGURE 309.1
OPERABLE PARTS – EXCEPTION 4**

REASON: The solution offered addresses the necessary balance between access to power and constructability. Requiring counter depth refrigerators is not a solution due to both cost and availability in equivalent sizes. In addition, front control ranges are not commonly manufactured in countertop depth and separating the appliance into two units (countertop range and undercounter oven) is not always an affordable solution. Since the knee space provided at the work space and sink helps to provide access to some counter areas, providing additional power at these locations seems like a logical approach to this problem.

Committee Action: AS AM D

309.1-HILBERRY.doc

| | | |
|--|-----------------------------------|----------------------------------|
| Report for 03-11- 2021 | | |
| <i>Committee decision: AS/AM/D</i> | <i>Committee Vote at Meeting:</i> | <i>Committee Vote on Ballot:</i> |
| REPORT OF HEARING: | | |
| Modification (if any): | | |
| Committee Reason: | | |
| PUBLIC COMMENT- FIRST DRAFT: | | |
| Proponent: | | |
| Desired Action: | | |
| Modification: | | |
| Reason: | | |
| <i>Committee decision: AS/AM/D</i> | <i>Committee Vote at Meeting:</i> | <i>Committee Vote on Ballot:</i> |
| REPORT OF HEARING – FIRST DRAFT | | |
| Modification (if any): | | |
| Committee Reason: | | |
| PUBLIC COMMENT- SECOND DRAFT: | | |
| Proponent: | | |
| Desired Action: | | |
| Modification: | | |
| Reason: | | |
| <i>Committee decision: AS/AM/D</i> | <i>Committee Vote at Meeting:</i> | <i>Committee Vote on Ballot:</i> |
| FINAL ACTION: | | |
| Modification (if any): | | |
| Committee Reason: | | |

03-12 – 2021

309.1

Proponent: Kyle Thompson, Plumbing Manufacturers International (PMI)

Revise as follows:

SECTION 309 OPERABLE PARTS

309.1 General. Operable parts shall comply with Section 309.

Exceptions:

1. Receptacle outlets serving a dedicated use.
2. Where two or more receptacle outlets are provided in a kitchen above a length of countertop that is uninterrupted by a sink or appliance, one receptacle outlet shall not be required to comply with this section.
3. In a kitchen, where a clear floor space for a parallel approach cannot be located at a countertop in a corner between appliances, receptacle outlets over the countertop shall not be required to comply with this section provided that the countertop area does not exceed 9 square feet (0.835 m²) maximum.
4. Floor receptacle outlets.
5. HVAC diffusers.
6. Controls mounted on ceiling fans.
7. Where redundant controls other than light switches are provided for a single element, one control in each space shall not be required to comply with this section.
8. Reset buttons and shut-offs serving appliances, piping and plumbing fixtures.
9. Electrical panelboards shall not be required to comply with Section 309.4.
10. Emergency aid devices, such as fire department hose connections, valve controls, gauges, police call boxes and annunciator panels shall not be required to comply with this section provided that they are used only for emergencies by emergency personnel acting in their official capacity.
11. Operable parts for maintenance, repair or occasional monitoring of equipment are not required to comply with this section.

REASON: Operable parts such as mixing valves that control water temperature, that are only accessed by maintenance or service personnel, should be exempt from complying with Section 309.

Committee Action: AS AM D

309.1 THOMPSON.doc

| Report for 03-12- 2021 | | |
|--|-----------------------------------|----------------------------------|
| <i>Committee decision: AS/AM/D</i> | <i>Committee Vote at Meeting:</i> | <i>Committee Vote on Ballot:</i> |
| REPORT OF HEARING: | | |
| Modification (if any): | | |
| Committee Reason: | | |
| PUBLIC COMMENT- FIRST DRAFT: | | |
| Proponent: | | |
| Desired Action: | | |
| Modification: | | |
| Reason: | | |
| <i>Committee decision: AS/AM/D</i> | <i>Committee Vote at Meeting:</i> | <i>Committee Vote on Ballot:</i> |
| REPORT OF HEARING – FIRST DRAFT | | |
| Modification (if any): | | |
| Committee Reason: | | |
| PUBLIC COMMENT- SECOND DRAFT: | | |
| Proponent: | | |
| Desired Action: | | |
| Modification: | | |
| Reason: | | |
| <i>Committee decision: AS/AM/D</i> | <i>Committee Vote at Meeting:</i> | <i>Committee Vote on Ballot:</i> |
| FINAL ACTION: | | |
| Modification (if any): | | |
| Committee Reason: | | |

03-13 – 2021

309.1, 1104.9

Proponent: Jean Tessmer

Revise as follows:

SECTION 309 OPERABLE PARTS

309.1 General. Operable parts shall comply with Section 309.

Exceptions:

1. Receptacle outlets ~~serving a dedicated use.~~
- ~~2. Where two or more receptacle outlets are provided in a kitchen above a length of countertop that is uninterrupted by a sink or appliance, one receptacle outlet shall not be required to comply with this section.~~
- ~~3. In a kitchen, where a clear floor space for a parallel approach cannot be located at a countertop in a corner between appliances, receptacle outlets over the countertop shall not be required to comply with this section provided that the countertop area does not exceed 9 square feet (0.835 m²) maximum.~~
4. Floor receptacle outlets.
- ~~2.5-~~HVAC diffusers.
- ~~3.6-~~Controls mounted on ceiling fans.
- ~~4.7-~~Where redundant controls other than light switches are provided for a single element, one control in each space shall not be required to comply with this section.
- ~~5.8-~~Reset buttons and shut-offs serving appliances, piping and plumbing fixtures.
- ~~6.9-~~Electrical panelboards shall not be required to comply with Section 309.4.
- ~~7.10-~~Emergency aid devices, such as fire department hose connections, valve controls, gauges, police call boxes and annunciator panels shall not be required to comply with this section provided that they are used only for emergencies by emergency personnel acting in their official capacity.

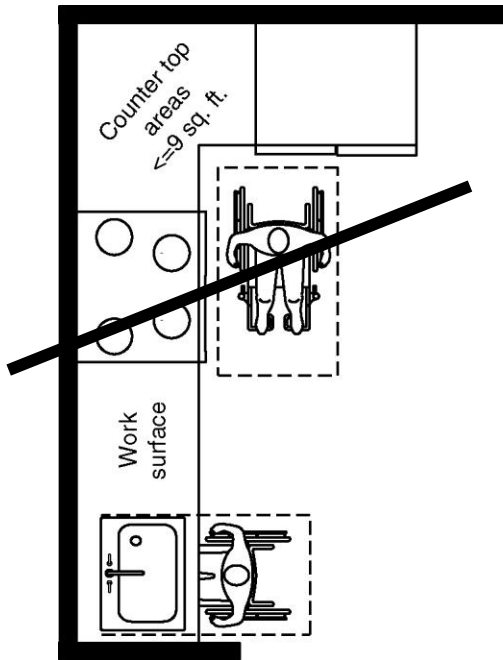


FIGURE 309.1
OPERABLE PARTS – EXCEPTION 3

SECTION 1104

TYPE B UNITS

1104.9 Operable parts. Lighting controls, electrical switches and receptacle outlets, environmental controls, electrical panelboards, and user controls for security or intercom systems shall comply with Sections 309.3 and 1104.1.1.

Exceptions:

1. Receptacle outlets serving a dedicated use.
2. In a kitchen where two or more receptacle outlets are provided above a length of countertop that is uninterrupted by a sink or appliance, only one receptacle outlet shall be required to comply with this section.
3. In a kitchen where a clear floor space for a parallel approach cannot be located at a countertop in a corner between appliances, receptacle outlets over the countertop shall not be required to comply with this section provided that the countertop area does not exceed 9 square feet (0.835 m²) maximum.
4. Floor receptacle outlets.
- 1.5. HVAC diffusers.
- 2.6. Controls mounted on ceiling fans.
- 3.7. Controls or switches mounted on appliances.
- 4.8. Plumbing fixture controls.
- 5.9. Reset buttons and shut-offs serving appliances, piping and plumbing fixtures.
- 6.10. Where redundant controls other than light switches are provided for a single element, one control in each space shall not be required to comply with this section.

7.11. Within kitchens and bathrooms, lighting controls, and electrical switches and receptacle outlets are permitted to be located over cabinets with countertops 36 inches (915 mm) maximum in height and 25-1/2 inches (650 mm) maximum in depth.

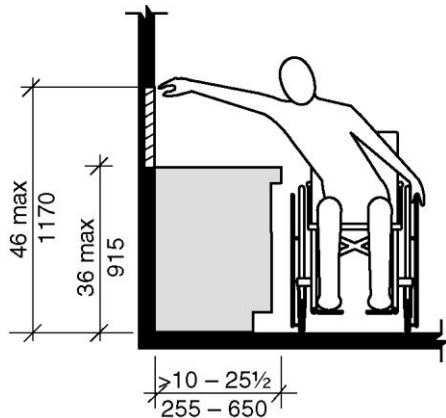


FIGURE 1104.9

REACH OVER A KITCHEN OR BATHROOM CABINET

REASON: ICC must delete all references to FHA (or ADA) compliant outlets.

The FHAG seems to designate outlets as operable parts. But the only operable part I could see was the plug required to be operated to put into the outlet.

For Safety reasons for severely disabled individuals, please delete all references to access to electrical outlets. None of them anywhere regardless of approach meets the criteria of an “operable part”. All plugs that are used to gain electricity from the outlet, requires tight grasping, pinching, twisting of the wrist to hold it exactly perpendicular, and takes 10 to 13 pounds of force (using an ergofit meter) to push in and even harder pinching, pulling, and wiggling to get the same plugs out while partially exposing the tines of the plug.

Plugs are not even near the conditional requirements for an operable part no matter where the reach range is.

A bit of history below shows when the word **receptacles** was not in the original 1986 ANSI A117.1. By the way the ANSI A117.1 went through extremely rigorous testing and documented research showing the methods of measurement, being reality tested to check if it did not create a hazard, before it was tried out on the public. Starting with UFAS, then to the 1991 FHA ADA the word receptacle was added without vetting for being non-hazardous. I could not find any research performed to validate that electrical plugs operated by a severely disable individual would be non-hazardous.

ANSI A117.1 1986 never used the word **receptacle** and the research was based on the principal that the criteria would not harm anyone. The ANSI A117.1 referred to switches or dispensers.

From the ANSI A117.1 1986

4.25 Controls and Operating Mechanisms

4.25.1 General. Controls and operating mechanisms in accessible spaces, along accessible routes, or as part of accessible elements (for example, light switches, dispenser controls) shall comply with 4.25.

4.25.4 Operation. Controls and operating mechanisms shall be operable with one hand and shall not require tight grasping, pinching, or twisting of the wrist. The force required to activate controls shall be no greater than 5 lbf (22.2 N).

From the FHAG:

Requirement 5. Light switches, electrical outlets. Thermostats and other environmental controls in accessible locations.

Section 100.205(c)(3)(ii) requires that all covered multifamily dwellings with a building entrance on an accessible route shall be designed and constructed in such a manner that all premises within covered multifamily dwelling units contain light switches, electrical outlets, thermostats, and other environmental controls in accessible locations.

Guideline

Light switches, electrical outlets, thermostats and other environmental controls would meet section 100.205(c)(3)(ii) if operable parts of the controls are located no higher than 48 inches, and no lower than 15 inches, above the floor. If the reach is over an obstruction (for example, an overhanging shelf) between 20 and 25 inches in depth, the maximum height is reduced to 44 inches for forward approach; or 46 inches for side approach, provided the obstruction (for example, a kitchen base cabinet) is no more than 24 inches in depth. Obstructions should not extend more than 25 inches from the wall beneath a control. (See Fig.2.)

Note:

Controls or outlets that do not satisfy these specifications are acceptable provided that comparable controls or outlets (i.e., that perform the same functions) are provided within the same area and are in accordance with this guideline for Requirement 5.

Committee Action: AS AM D

309.1-TESSMER.doc

| | | |
|--|-----------------------------------|----------------------------------|
| Report for 03-13- 2021 | | |
| <i>Committee decision: AS/AM/D</i> | <i>Committee Vote at Meeting:</i> | <i>Committee Vote on Ballot:</i> |
| REPORT OF HEARING: | | |
| Modification (if any): | | |
| Committee Reason: | | |
| PUBLIC COMMENT- FIRST DRAFT: | | |
| Proponent: | | |
| Desired Action: | | |
| Modification: | | |
| Reason: | | |
| <i>Committee decision: AS/AM/D</i> | <i>Committee Vote at Meeting:</i> | <i>Committee Vote on Ballot:</i> |
| REPORT OF HEARING – FIRST DRAFT | | |
| Modification (if any): | | |
| Committee Reason: | | |

Report for 03-13- 2021**PUBLIC COMMENT- SECOND DRAFT:**

Proponent:

Desired Action:

Modification:

Reason:

Committee decision: AS/AM/D***Committee Vote at Meeting:******Committee Vote on Ballot:*****FINAL ACTION:**

Modification (if any):

Committee Reason:

03-14 – 2021

309.2, 309.3

Proponent: Kimberly Paarlberg, International Code Council

Revise as follows:

SECTION 309 OPERABLE PARTS

309.1 General. Operable parts shall comply with Section 309.

Exceptions:

1. Receptacle outlets serving a dedicated use.
2. Where two or more receptacle outlets are provided in a kitchen above a length of countertop that is uninterrupted by a sink or appliance, one receptacle outlet shall not be required to comply with this section.
3. In a kitchen, where a clear floor space for a parallel approach cannot be located at a countertop in a corner between appliances, receptacle outlets over the countertop shall not be required to comply with this section provided that the countertop area does not exceed 9 square feet (0.835 m²) maximum.
4. Floor receptacle outlets.
5. HVAC diffusers.
6. Controls mounted on ceiling fans.
7. Where redundant controls other than light switches are provided for a single element, one control in each space shall not be required to comply with this section.
8. Reset buttons and shut-offs serving appliances, piping and plumbing fixtures.
9. Electrical panelboards shall not be required to comply with Section 309.4.
10. Emergency aid devices, such as fire department hose connections, valve controls, gauges, police call boxes and annunciator panels shall not be required to comply with this section provided that they are used only for emergencies by emergency personnel acting in their official capacity.

309.2 Clear floor space. A clear floor space complying with Section 305 shall be provided adjacent to the operable part.

Exception: In kitchens, clear floor spaces shall be permitted to be angled to allow for differences between counter depths and kitchen appliances.

309.3 Height. Operable parts shall be placed within one or more of the reach ranges specified in Section 308.

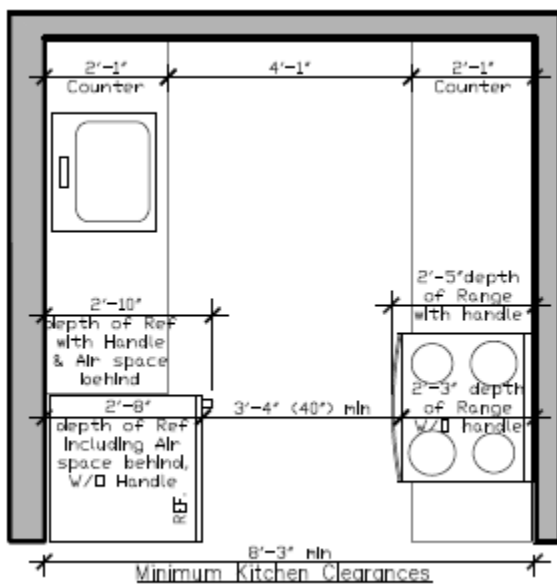
Exceptions:

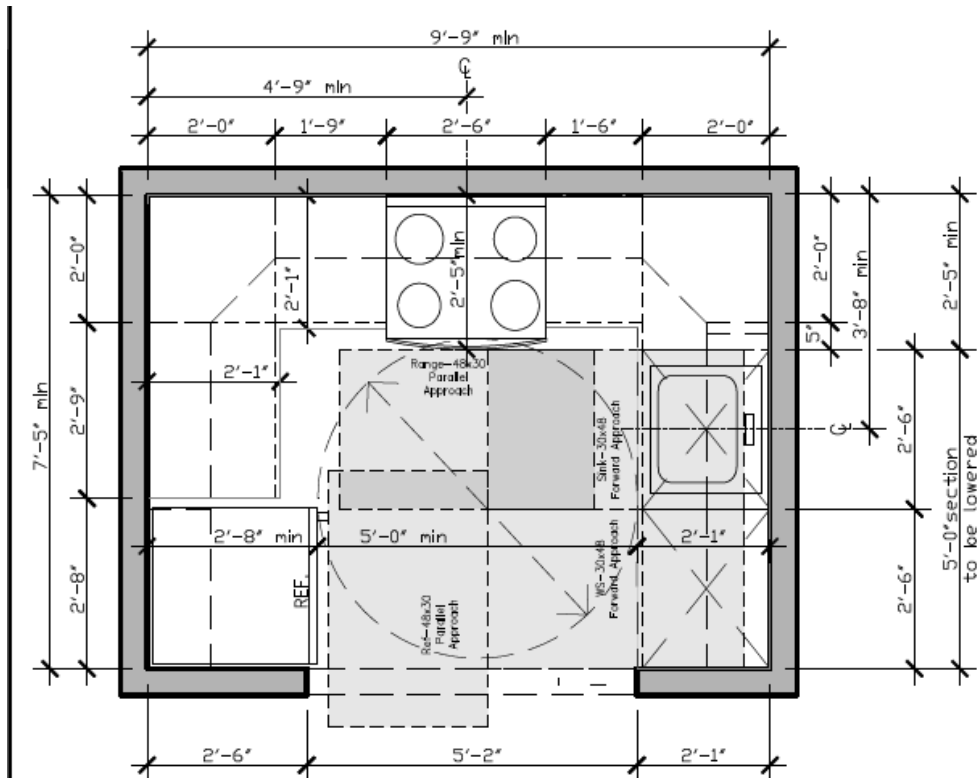
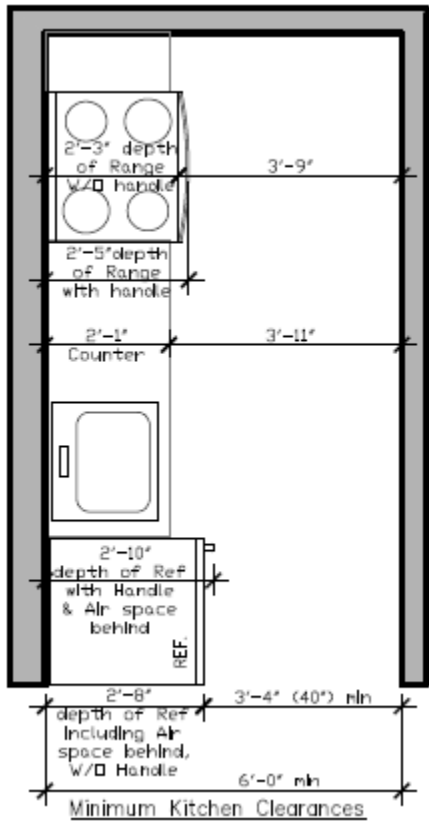
1. In kitchens outlets on side walls, the front of cabinets or within drawers shall be permitted to serve as the required accessible outlet in lieu of reaching over a counter top.
2. In kitchens and bathrooms, lighting controls, electrical switches and outlets are permitted to be located over countertops 25-1/2 inches maximum in depth where cabinets or obstructions below are 24 inches maximum in depth.

309.4 Operation. Operable parts shall be operable with one hand and shall not require tight grasping, pinching, or twisting of the wrist. The force required to activate operable parts shall be 5.0 pounds (22.2 N) maximum.

Exception: Gas pump nozzles shall not be required to provide operable parts that have an activating force of 5.0 pounds (22.2 N) maximum.

REASON: The purpose of this proposal is to clarify which options are acceptable for accessible outlets. 34" high countertops are special order cabinets, and do not allow for many standard dishwashers or trash compactors under the counter or will result in a 2" drop on either side of a standard range. To allow for more design options, this proposal is intended to clarify what other options are available. If an outlet is required to be accessible, Section 309.3 exception 1 indicates acceptable alternatives for reaching over a countertop. Section 309.3 Exception 2 recognizes the obstruction for reach is the cabinets, and allows for the standard countertop overhang. The exception 309.2 recognizes that the intent is not to require at least a 48" wide flat piece of countertop between all appliances to ensure a clear floor space be flat up against the counter. Ranges and refrigerators (including 'counter depth' refrigerators) stick out further than the standard cabinets. Other appliances, such as dishwashers, wall ovens or trash compactors have doors that are thicker than cabinet doors.





Committee Action: AS AM D

309.1-PAARLBERG.doc

| | | |
|--|-----------------------------------|----------------------------------|
| Report for 03-14- 2021 | | |
| <i>Committee decision: AS/AM/D</i> | <i>Committee Vote at Meeting:</i> | <i>Committee Vote on Ballot:</i> |
| REPORT OF HEARING: | | |
| Modification (if any): | | |
| Committee Reason: | | |
| PUBLIC COMMENT- FIRST DRAFT: | | |
| Proponent: | | |
| Desired Action: | | |
| Modification: | | |
| Reason: | | |
| <i>Committee decision: AS/AM/D</i> | <i>Committee Vote at Meeting:</i> | <i>Committee Vote on Ballot:</i> |
| REPORT OF HEARING – FIRST DRAFT | | |
| Modification (if any): | | |
| Committee Reason: | | |
| PUBLIC COMMENT- SECOND DRAFT: | | |
| Proponent: | | |
| Desired Action: | | |
| Modification: | | |
| Reason: | | |
| <i>Committee decision: AS/AM/D</i> | <i>Committee Vote at Meeting:</i> | <i>Committee Vote on Ballot:</i> |
| FINAL ACTION: | | |
| Modification (if any): | | |
| Committee Reason: | | |

03- 15 – 2021
309.3

Proponent: Marsha Mazz, United Spinal Association

Revise as follows:

SECTION 309
OPERABLE PARTS

309.3 Height. Operable parts shall be placed within one or more of the reach ranges specified in Section 308 and, unless otherwise specified, no portion of the operable part necessary for operation shall be located outside the reach range.

REASON: This proposal clarifies a long-standing disagreement within the community of experts – some measure to the centerline and others measure to the top of the control. By including the words “necessary for operation” we mean to allow a portion of the control to be beyond the reach range only if the portion that is outside the reach range allows for operation i.e., meeting the operating force requirements and works reliably to accomplish the task. Please also see our proposal to modify Section 604.6 to address a similar issue that arises when dual flush controls are located so that they are not entirely on the “open side” of the water closet.

Committee Action: AS AM D

309.3-MAZZ.doc

| | | |
|--|-----------------------------------|----------------------------------|
| Report for 03-15– 2021 | | |
| <i>Committee decision: AS/AM/D</i> | <i>Committee Vote at Meeting:</i> | <i>Committee Vote on Ballot:</i> |
| REPORT OF HEARING: | | |
| Modification (if any): | | |
| Committee Reason: | | |
| PUBLIC COMMENT- FIRST DRAFT: | | |
| Proponent: | | |
| Desired Action: | | |
| Modification: | | |
| Reason: | | |
| <i>Committee decision: AS/AM/D</i> | <i>Committee Vote at Meeting:</i> | <i>Committee Vote on Ballot:</i> |
| REPORT OF HEARING – FIRST DRAFT | | |
| Modification (if any): | | |
| Committee Reason: | | |
| PUBLIC COMMENT- SECOND DRAFT: | | |
| Proponent: | | |
| Desired Action: | | |
| Modification: | | |
| Reason: | | |
| <i>Committee decision: AS/AM/D</i> | <i>Committee Vote at Meeting:</i> | <i>Committee Vote on Ballot:</i> |
| FINAL ACTION: | | |
| Modification (if any): | | |
| Committee Reason: | | |

03-16 – 2021

309.4

Proponent: Peter A. Stratton, Steven Winter Associates, Inc.

Add new text as follows:

SECTION 309 OPERABLE PARTS

309.4 Operation. Operable parts shall be operable with one hand and shall not require tight grasping, pinching, or twisting of the wrist. The force required to activate operable parts shall be 5.0 pounds (22.2 N) maximum.

Exception Exceptions:

1. Gas pump nozzles shall not be required to provide operable parts that have an activating force of 5.0 pounds (22.2 N) maximum.
2. Access hatches for waste and linen chutes where such hatches are required to be fire-resistance rated shall not be required to provide an opening force of 5.0 pounds (22.2 N) maximum.

Reason: Access hatches for waste and linen chutes are currently not specifically addressed by the Standard. Some consider access hatches to be an operable part and therefore subject to 5 lb max opening force; others consider these access hatches to be exempt from the 5 lb max opening force because they are fire rated. Access hatches for waste and linen chutes are typically part of a fire assembly. As such, they must close to ensure fire safety; some do not close entirely when limited to 5 lbs of max. opening force and therefore fire safety can be compromised. It seems appropriate to include an exception for opening force under Section 309.1, Operable Parts.

Committee Action: AS AM D

309.1-STRATTON.doc

| | | |
|--|-----------------------------------|----------------------------------|
| Report for 03-16 2021 | | |
| <i>Committee decision: AS/AM/D</i> | <i>Committee Vote at Meeting:</i> | <i>Committee Vote on Ballot:</i> |
| REPORT OF HEARING: | | |
| Modification (if any): | | |
| Committee Reason: | | |
| PUBLIC COMMENT- FIRST DRAFT: | | |
| Proponent: | | |
| Desired Action: | | |
| Modification: | | |
| Reason: | | |
| <i>Committee decision: AS/AM/D</i> | <i>Committee Vote at Meeting:</i> | <i>Committee Vote on Ballot:</i> |
| REPORT OF HEARING – FIRST DRAFT | | |
| Modification (if any): | | |
| Committee Reason: | | |
| PUBLIC COMMENT- SECOND DRAFT: | | |
| Proponent: | | |
| Desired Action: | | |
| Modification: | | |
| Reason: | | |
| <i>Committee decision: AS/AM/D</i> | <i>Committee Vote at Meeting:</i> | <i>Committee Vote on Ballot:</i> |
| FINAL ACTION: | | |
| Modification (if any): | | |
| Committee Reason: | | |

04-01 – 2021

402.2

Proponent: Joseph R. Hetzel, P.E., Joseph R Hetzel Consulting LLC representing American Association of Automatic Door Manufacturers (AAADM)

Revise as follows:

SECTION 402 ACCESSIBLE ROUTES

402.2 Components. Accessible routes shall consist of one or more of the following components: walking surfaces with a running slope not steeper than 1:20, manual or powered doors, and doorways, manual or powered gates, ramps, curb ramps excluding the flared sides, blended transitions, elevators, and platform lifts. All components of an accessible route shall comply with the applicable portions of this standard.

REASON: The addition of "gates" to this paragraph, as agreed upon in the July 2013 Committee action for editorial consistency with the revised title to Section 404 (Doors, Doorways and Gates), is not editorially complete with respect to other approved revisions to the content of Section 404. Specifically, the revised subtitle content in Section 404 should be incorporated. Since the Section 404.2 title has been revised to read, "Manual doors, doorways and manual gates" and the Section 404.3 title has been revised to read, "Automatic and power-assisted doors and gates", "manual or powered" descriptions should be included in Section 402.2 for doors and gates.

When the Section 402.2 provisions begin by saying "Accessible routes shall consist of one or more of the following components", elements unique to accessible routes should be included. Just saying "...doors and doorways, gates,..." does not make this any different than non-accessible routes. By noting the "powered" door and gate options among the list of components, the standard user is cued on the automated products that enhance accessibility.

Qualifying the doors and gates in Section 402.2 via the new titles of Sections 404.2 and 404.3 is also simply following the precedent of already qualifying walking surfaces and curb ramps. Walking surfaces are qualified by Section 403.3 content, and curb ramps are qualified by Section 406.4 content.

Committee Action: AS AM D

402.2-HETZEL.doc

| | | |
|-------------------------------------|-----------------------------------|----------------------------------|
| Report for 04-01– 2021 | | |
| <i>Committee decision: AS/AM/D</i> | <i>Committee Vote at Meeting:</i> | <i>Committee Vote on Ballot:</i> |
| REPORT OF HEARING: | | |
| Modification (if any): | | |
| Committee Reason: | | |
| PUBLIC COMMENT- FIRST DRAFT: | | |
| Proponent: | | |
| Desired Action: | | |
| Modification: | | |
| Reason: | | |

Report for 04-01– 2021

| | | |
|--|-----------------------------------|----------------------------------|
| <i>Committee decision: AS/AM/D</i> | <i>Committee Vote at Meeting:</i> | <i>Committee Vote on Ballot:</i> |
| REPORT OF HEARING – FIRST DRAFT | | |
| Modification (if any): | | |
| Committee Reason: | | |
| PUBLIC COMMENT- SECOND DRAFT: | | |
| Proponent: | | |
| Desired Action: | | |
| Modification: | | |
| Reason: | | |
| <i>Committee decision: AS/AM/D</i> | <i>Committee Vote at Meeting:</i> | <i>Committee Vote on Ballot:</i> |
| FINAL ACTION: | | |
| Modification (if any): | | |
| Committee Reason: | | |

04-02 – 2021
403.5, 404.2.3

Proponent: Edward Steinfeld, IDEA Center, University at Buffalo, representing RESNA

Revise as follows:

SECTION 403
WALKING SURFACES

403.5 Clear width. The clear width of an accessible route shall comply with Section 403.5.1, 403.5.2, 403.5.3 or 403.5.4 as applicable. Clear widths shall be measured to walls, exclusive of baseboards and trim.

SECTION 404
DOORS, DOORWAYS AND GATES

404.2.3 Maneuvering clearances. Minimum maneuvering clearances at doors and gates shall comply with Section 404.2.3. Maneuvering clearances shall include the full clear opening width of the doorway and the required latch-side or hinge-side clearance. Clearances shall be measured to adjoining walls, exclusive of baseboards and trim.

REASON: This is a continuing problem in compliance audits. Baseboards and trim do not interfere with accessibility since wheelchair wheels, walkers and canes are never positioned within 1 in. of wall surfaces. Dimensions on architectural drawings are drawn to the walls, not to the trim. Thus, when baseboards and door trim is added, compliance becomes a matter of interpretation.

Committee Action: AS AM D

403.5-STEINFELD.doc

| | | |
|--|-----------------------------------|----------------------------------|
| Report for 04-02– 2021 | | |
| <i>Committee decision: AS/AM/D</i> | <i>Committee Vote at Meeting:</i> | <i>Committee Vote on Ballot:</i> |
| REPORT OF HEARING: | | |
| Modification (if any): | | |
| Committee Reason: | | |
| PUBLIC COMMENT- FIRST DRAFT: | | |
| Proponent: | | |
| Desired Action: | | |
| Modification: | | |
| Reason: | | |
| <i>Committee decision: AS/AM/D</i> | <i>Committee Vote at Meeting:</i> | <i>Committee Vote on Ballot:</i> |
| REPORT OF HEARING – FIRST DRAFT | | |
| Modification (if any): | | |
| Committee Reason: | | |
| PUBLIC COMMENT- SECOND DRAFT: | | |
| Proponent: | | |
| Desired Action: | | |
| Modification: | | |
| Reason: | | |
| <i>Committee decision: AS/AM/D</i> | <i>Committee Vote at Meeting:</i> | <i>Committee Vote on Ballot:</i> |
| FINAL ACTION: | | |
| Modification (if any): | | |

Report for 04-02-2021

Committee Reason:

04-03 – 2021

403.5, 403.5.3, 403.5.3.1, 403.5.3.2

Proponent: Kimberly Paarlberg, International Code Council

Revise as follows:

SECTION 403 WALKING SURFACES

403.5 Clear width. The clear width of an accessible route shall comply with Section 403.5.1, 403.5.2, or 403.5.3 or ~~403.5.4~~ as applicable.

403.5.1 General. The clear width of an interior accessible route shall be 36 inches (915 mm) minimum. The clear width of an exterior accessible route shall be 48 inches (1220 mm) minimum.

Exceptions:

1. In new buildings and facilities, the clear width shall be permitted to be reduced to 32 inches (815 mm) minimum for a length of 24 inches (610 mm) maximum provided the reduced-width segments are separated by segments that are 52 inches (1320 mm) minimum in length and 36 inches (915 mm) minimum in width.
2. In existing buildings and facilities, the clear width shall be permitted to be reduced to 32 inches (815 mm) minimum for a length of 24 inches (610 mm) maximum provided the reduced width segments are separated by segments that are 48 inches (1220 mm) minimum in length and 36 inches (915 mm) minimum in width.
3. The clear width of an exterior accessible route located within seating areas shall be 36 inches (915 mm) minimum.
4. The clear width of an exterior ramp shall comply with Section 405.5.

403.5.2 Clear width at 180-degree turn.

403.5.2.1 New buildings and facilities. In new building and facilities, where an accessible route makes a 180-degree turn around an object that is equal to or greater than 52 inches (1320 mm) in width, the clear widths in the turn shall comply with Section 403.5.3.1. Where an accessible route makes a 180-degree turn around an object that is less than 52 inches (1320 mm) in width, the clear widths approaching the turn, during the turn and leaving the turn, shall be one of the following sets of dimensions:

1. Approaching width is 36 inches (915 mm) minimum, during width is 60 inches (1525 mm) minimum, and leaving width is 36 inches (915 mm) minimum.
2. Approaching width is 42 (1065 mm) inches minimum, during width is 48 inches (1220 mm) minimum, and leaving width is 42 (1065 mm) inches minimum.
3. Approaching width is 43 inches (1090 mm) minimum, during width is 43 inches (1090 mm) minimum, and leaving width is 43 inches (1090 mm) minimum.

403.5.2.2 Existing buildings and facilities. In existing buildings and facilities, where an accessible route makes a 180 degree turn around an object that is less than 48 inches

(1220 mm) in width, clear widths shall be 42 inches (1065 mm) minimum approaching the turn, 48 inches (1220 mm) minimum during the turn, and 42 inches (1065 mm) minimum leaving the turn.

Exception: This section shall not apply where the clear width during the turn is 60 inches (1525 mm) minimum.

403.5.3 Clear width at 90-degree turn.

~~**403.5.3.1 New buildings and facilities.** In new buildings and facilities, where an accessible route makes a 90-degree turn the clear widths approaching the turn and leaving the turn shall be one of the following sets of dimensions:~~

- ~~1. Both legs of the turn shall be 40 inches (1015 mm) minimum in width. The width of each leg of the turn shall be maintained for 28 inches (710 mm) minimum from the inner corner.~~
- ~~2. Where the interior corners of the turn are chamfered for 8 inches minimum (205 mm) along both walls, both legs of the turn shall be 36 inches (915 mm) minimum in width.~~
- ~~3. Where one leg of the turn is 42 inches (1065 mm) minimum in width, the other shall be permitted to be 38 inches (965 mm) minimum in width.~~
- ~~4. Where one leg of the turn is 44 inches (1120 mm) minimum in width, the other shall be permitted to be 36 inches (915 mm) minimum in width.~~

Exceptions:

- ~~1. Where an accessible route makes a 90-degree turn at doors, doorways and gates complying with Section 404.2.3, the route shall not be required to comply with this section.~~
- ~~2. Where an accessible route makes a 90-degree turn at an elevator or platform lift complying with Sections 407 through 410, the accessible route shall not be required to comply with this section.~~

~~**403.5.3.2 Existing buildings and facilities.** In existing buildings and facilities, where an accessible route makes a 90-degree turn the clear widths approaching the turn and leaving the turn shall be 36 inches (915 mm) minimum.~~

403.5.3 403.5.4 Passing space.

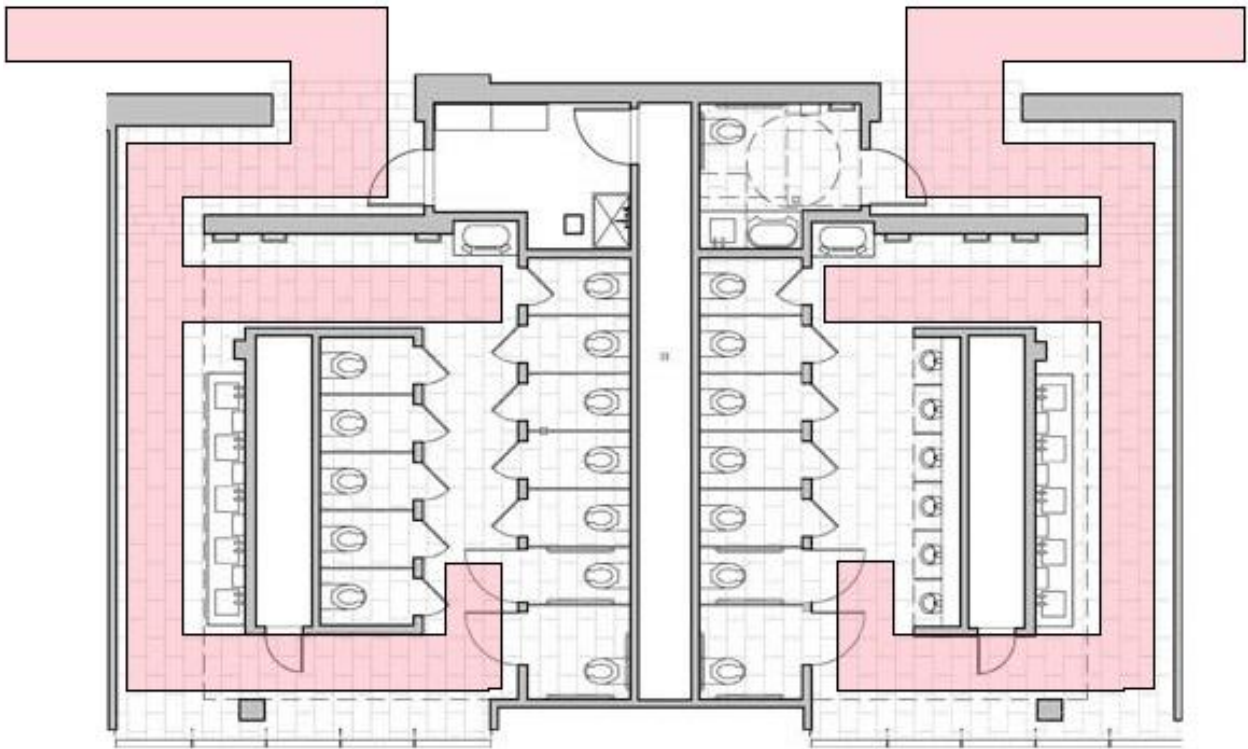
~~**403.5.3.1 403.5.4.1 New buildings and facilities.** In new buildings and facilities, an accessible route with a clear width less than 60 inches (1525 mm) shall provide passing spaces at intervals of 200 feet (61 m) maximum. Passing spaces shall be either a 60-inch (1525 mm) minimum by 60-inch (1525 mm) minimum space, or an intersection of two walking surfaces that provide a T-shaped turning space complying with Section 304.3.2.1, provided the base and arms of the T-shaped space extend 52 inches (1320 mm) minimum beyond the intersection.~~

~~**403.5.3.2 403.5.4.2 Existing buildings and facilities.** In existing buildings and facilities, an accessible route with a clear width less than 60 inches (1525 mm) shall provide passing spaces at intervals of 200 feet (61 m) maximum. Passing spaces shall be either a 60-inch (1525 mm) minimum by 60-inch (1525 mm) minimum space, or an intersection of two walking surfaces that provide a T-shaped turning space complying with Section~~

304.3.2, provided the base and arms of the T-shaped space extend 48 inches (1220 mm) minimum beyond the intersection.

REASON: The intent of this proposal is to remove the 90 degree turn requirement. I believe this is not have the effect the committee thought they were getting. The interpretation is almost impossible to explain and enforce correctly. The explanation to the committee during the deliberation was primarily related to corridors. If a corridor has doors on either side, the door maneuvering clearances (Section 404.2.3.2) would require at least 42” for that corridor. Dr. Steinfeld, at a meeting held after the committee had close to a final approval on the standard, indicated that this 90 degree turn was not an issue at doors – thus the exceptions to Section 403.5.3.1 were added at the very end of the cycle. He indicated that this was for a smooth transition for scooters along a route. If an aisle or corridor serves more than 50 people, the building code requires a minimum width of 44 inches (IBC Section 1018.5 and 1020.3). Thus the only place this requirement would have an impact is for aisles in small mercantile and small assembly spaces. Is it justified to have something that would impact only small business? The spaces are still maneuverable with mobility devices, just not at speed.

The second issue is the understanding and enforcement. This literally has the accessible route requirements stopping and starting every time it goes through a doorway. Also, places where you assume a turn, such as turning under a drinking fountain, dining surface, work surface or sink are not applicable because they are ‘adjoining’ an accessible route – not part of it! The requirements for 90 degree turns would not technical work with alcove provisions or turning into a wheelchair space in assembly seating or into a ! Attached are a couple of general layouts showing where this is applicable.



Example bathroom layout with 90 degree and U-turns.

04-04 – 2021

403.5.1, 403.5.1.1(New), 403.5.1.2(New), 406.2.1, 406.3.1, 406.5.1

Proponent: Kimberly Paarlberg, International Code Council

Revise as follows:

SECTION 403 WALKING SURFACES

403.5 Clear width. The clear width of an accessible route shall comply with Section 403.5.1, 403.5.2 or 403.5.3 or 403.5.4 as applicable.

403.5.1 General.

403.5.1.1 New buildings and facilities. In new buildings and facilities, the ~~The~~ clear width of an interior accessible route shall be 36 inches (915 mm) minimum. The clear width of an exterior accessible route shall be 48 inches (1220 mm) minimum.

Exceptions:

1. ~~In new buildings and facilities, the~~ The clear width shall be permitted to be reduced to 32 inches (815 mm) minimum for a length of 24 inches (610 mm) maximum provided the reduced-width segments are separated by segments that are 52 inches (1320 mm) minimum in length and 36 inches (915 mm) minimum in width.
2. ~~In existing buildings and facilities, the clear width shall be permitted to be reduced to 32 inches (815 mm) minimum for a length of 24 inches (610 mm) maximum provided the reduced width segments are separated by segments that are 48 inches (1220 mm) minimum in length and 36 inches (915 mm) minimum in width.~~
- 2.3. The clear width of an exterior accessible route located within seating areas shall be 36 inches (915 mm) minimum.
- 3.4. The clear width of an exterior ramp shall comply with Section 405.5.

403.5.1.2 Existing buildings and facilities. In existing buildings and facilities, the clear width of an interior and exterior accessible route shall be 36 inches (915 mm) minimum.

Exception: The clear width shall be permitted to be reduced to 32 inches (815 mm) minimum for a length of 24 inches (610 mm) maximum provided the reduced width segments are separated by segments that are 48 inches (1220 mm) minimum in length and 36 inches (915 mm) minimum in width.

SECTION 405 RAMPS

405.5 Clear width. The clear width of a ramp run shall be 36 inches (915 mm) minimum. Handrails and handrail supports that are provided on the ramp run shall not project into the required clear width of the ramp run.

Exception: Within employee work areas, the required clear width of ramps that are a part of common use circulation paths shall be permitted to be decreased by work area equipment provided that the decrease is essential to the function of the work being performed.

SECTION 406 CURB RAMPS AND BLENDED TRANSITIONS

406.1 General. Curb ramps and blended transitions on accessible routes shall comply with Section 406.

406.2 Perpendicular curb ramps. Perpendicular curb ramps shall comply with Sections 406.2 and 406.5.

406.2.1 Landings. A landing 48 inches (1220 mm) minimum by 48 inches (1220 mm) minimum shall be provided at the top of a curb ramp. The landing shall be permitted to overlap pedestrian routes and clear spaces. Where the landing is constrained at the back-of-sidewalk, the landing shall be 48 inches (1220 mm) minimum by 60 inches (1525 mm) minimum. The 60-inch (1525 mm) dimension shall be provided in the direction of the curb ramp run. The slope of landings shall be 1:48 maximum in all directions.

Exception: In existing buildings and facilities, the landing shall be 36 inches (915 mm) minimum by 36 inches (915 mm) minimum. Where the landing is constrained at the back-of-sidewalk, the landing shall be 36 inches (915 mm) minimum by 60 inches (1525 mm) minimum.

406.3 Parallel curb ramps. Parallel curb ramps shall comply with Sections 406.3 and 406.5.

406.3.1 Landing. A landing 48 inches (1220 mm) minimum by 48 inches (1220 mm) minimum shall be provided at the bottom of a curb ramp. The landing shall be permitted to overlap pedestrian routes and clear spaces. Where the landing is constrained on two or more sides, the landing shall be 48 inches (1220 mm) minimum by 60 inches (1525 mm) minimum. The 60 inches (1525 mm) dimension shall be provided in the direction of the pedestrian street crossing. The slope of landings shall be 1:48 maximum in all directions.

Exception: In existing buildings and facilities, the landing shall be 36 inches (915 mm) minimum by 36 inches (915 mm) minimum. Where the landing is constrained on two or more sides, the landing shall be 36 inches (915 mm) minimum by 60 inches (1525 mm) minimum.

406.5 Common requirements. Curb ramps and blended transitions shall comply with Section 406.5.

406.5.1 Width. The clear width of curb ramp runs (excluding any flared sides) and blended transitions shall be 48 inches (1220 mm) minimum.

Exception: In existing buildings and facilities, the clear width of curb ramp runs shall be 36 inches (915 mm) minimum.

REASON: The intent of this proposal is to allow for existing buildings to maintain the current requirement for a 36” accessible route for exterior routes and curb ramps where improvements are required for the accessible route from public arrival points and accessible parking spaces to the building entrance. Where current sidewalks and parking lots exist, asking for the extra width could be extensive and almost impossible to argue technical infeasibility. In addition, while the 48” sizes matches the current PROWAG, that is for public rights of way, and these requirements for on the site. This technical requirement is partially addressed in 2021 IEBC Section 306.7.6, but it is more consistent and within scope to provide that information in the ICC A117.1.

2021 IEBC

306.7.6 Accessible route. Exterior accessible routes, including curb ramps, shall be not less than 36 inches (914 mm) minimum in width.

The format would be consistent with the Sections 403.5.2 Clear width at 180-degree turn, 403.5.3 Clear width at 90-degree turn and 403.5.4 Passing space. Exterior ramps are already allowed to stay at 36” clear width between handrails for new construction. There is no suggested changes to blended transitions, because those were not in ICC A117.1 before.

Committee Action: AS AM D

403.5.1-PAARLBERG.doc

| | | |
|--|-----------------------------------|----------------------------------|
| Report for 04-04- 2021 | | |
| <i>Committee decision: AS/AM/D</i> | <i>Committee Vote at Meeting:</i> | <i>Committee Vote on Ballot:</i> |
| REPORT OF HEARING: | | |
| Modification (if any): | | |
| Committee Reason: | | |
| PUBLIC COMMENT- FIRST DRAFT: | | |
| Proponent: | | |
| Desired Action: | | |
| Modification: | | |
| Reason: | | |
| <i>Committee decision: AS/AM/D</i> | <i>Committee Vote at Meeting:</i> | <i>Committee Vote on Ballot:</i> |
| REPORT OF HEARING – FIRST DRAFT | | |
| Modification (if any): | | |
| Committee Reason: | | |
| PUBLIC COMMENT- SECOND DRAFT: | | |
| Proponent: | | |
| Desired Action: | | |
| Modification: | | |
| Reason: | | |
| <i>Committee decision: AS/AM/D</i> | <i>Committee Vote at Meeting:</i> | <i>Committee Vote on Ballot:</i> |
| FINAL ACTION: | | |
| Modification (if any): | | |
| Committee Reason: | | |

04-05 – 2021

403.5.1, 404.2.3

Proponent: Marsha Mazz representing United Spinal Association

Revise as follows:

SECTION 403 WALKING SURFACES

403.5.1 General. The clear width of an interior accessible route shall be 36 inches (915 mm) minimum. The clear width of an exterior accessible route shall be 48 inches (1220 mm) minimum.

Exceptions:

1. Each side of the clear width of an accessible route shall be permitted to be reduced in accordance with the following dimensions:
 - a. A reduction of 1 1/2 inches (38 mm) to a height of 1-inch (25 mm) maximum above the floor;
 - b. A reduction of 1-inch (25 mm) to a height of 7 inches (180 mm) maximum above the floor; and
 - c. A reduction of 2 inches (50 mm above 7 inches (180 mm) in height for a length of 24 inches (610 mm) maximum, provided the reduced-width segments are separated by a clear floor space complying with Section 305.3.
- ~~1. In new buildings and facilities, the clear width shall be permitted to be reduced to 32 inches (815 mm) minimum for a length of 24 inches (610 mm) maximum provided the reduced width segments are separated by segments that are 52 inches (1320 mm) minimum in length and 36 inches (915 mm) minimum in width.~~
- ~~2. In existing buildings and facilities, the clear width shall be permitted to be reduced to 32 inches (815 mm) minimum for a length of 24 inches (610 mm) maximum provided the reduced width segments are separated by segments that are 48 inches (1220 mm) minimum in length and 36 inches (915 mm) minimum in width.~~
- ~~3. 2. The clear width of an exterior accessible route located within seating areas shall be permitted to be 36 inches (915 mm) minimum.~~
- ~~4. 3. The clear width of an exterior ramp shall be permitted to comply with Section 405.5.~~

SECTION 404 DOORS, DOORWAYS AND GATES

404.2.3 Maneuvering clearances. Minimum maneuvering clearances at doors and gates shall comply with Section 404.2.3. Maneuvering clearances shall include the full clear opening width of the doorway and the required latch-side or hinge-side clearance.

Exception: Baseboards and other trim elements shall be permitted to project into the maneuvering clearance 1 1/2 inches (38 mm) maximum to a height of 1-inch maximum above the floor and 1-inch (25 mm) maximum above a height of 1-inch (25mm) to a height of 7 inches (180 mm) maximum above the floor.

REASON: This proposal is intended to resolve the question as to whether an accessible route or a maneuvering clearance at a door should be measured above baseboards and trim. Space for a stationary wheelchair is 30 inches in width. The additional 6 inches of width on an accessible route is intended to accommodate the arms of a person propelling a wheelchair as well as some sway in the trajectory because most users do not exert exactly the same amount of force on both wheels. We believe that narrowing the route at a moderate baseboard height will not impact the usability of the route and will prevent future conflicts that can result in unnecessary expense.

This proposal also simplifies existing exceptions 1 & 2 by referencing the length of a clear floor space in Section 305.3. We have another proposal to delete the differing space criteria in new and existing facilities. Regardless of whether that passes or fails, this change will not, on its own, change the requirement. Exceptions 3 and 4 in the current standard are renumbered and revised to conform to the format used in the Standards for exceptions.

Committee Action: AS AM D

403.5.1-MAZZ.doc

| | | |
|--|-----------------------------------|----------------------------------|
| Report for 04-05– 2021 | | |
| <i>Committee decision: AS/AM/D</i> | <i>Committee Vote at Meeting:</i> | <i>Committee Vote on Ballot:</i> |
| REPORT OF HEARING: | | |
| Modification (if any): | | |
| Committee Reason: | | |
| PUBLIC COMMENT- FIRST DRAFT: | | |
| Proponent: | | |
| Desired Action: | | |
| Modification: | | |
| Reason: | | |
| <i>Committee decision: AS/AM/D</i> | <i>Committee Vote at Meeting:</i> | <i>Committee Vote on Ballot:</i> |
| REPORT OF HEARING – FIRST DRAFT | | |
| Modification (if any): | | |
| Committee Reason: | | |
| PUBLIC COMMENT- SECOND DRAFT: | | |
| Proponent: | | |
| Desired Action: | | |
| Modification: | | |
| Reason: | | |
| <i>Committee decision: AS/AM/D</i> | <i>Committee Vote at Meeting:</i> | <i>Committee Vote on Ballot:</i> |
| FINAL ACTION: | | |
| Modification (if any): | | |
| Committee Reason: | | |

04-06 – 2021
404.2

Proponent: Edward Steinfeld, IDEA Center, University at Buffalo, representing RESNA

Revise as follows:

SECTION 404
DOORS, DOORWAYS AND GATES

404.1 General. Doors, doorways and gates that are part of an accessible route shall comply with Section 404.

Exception: Doors, doorways and gates designed to be operated only by security personnel shall not be required to comply with Sections 404.2.3, 404.2.6, 404.2.7, 404.2.8, 404.3.1, 404.3.2, 404.3.4, 404.3.7 and 404.3.8.

404.2 Manual doors, doorways and manual gates. Manual doors, doorways and manual gates intended for through user passage shall comply with Section 404.2.

REASON: Currently, it is not clear what “user passage” means. Some officials and accessibility consultants treat any door that a wheelchair user can move into a door for user passage, even if the closet is a shallow storage closet. Adding the word “through” will make it clear that only doors that a person is expected to pass through entirely are subject to these requirements.

Committee Action: AS AM D

404.2-STEINFELD.doc

| | | |
|--|-----------------------------------|----------------------------------|
| Report for 04-06– 2021 | | |
| <i>Committee decision: AS/AM/D</i> | <i>Committee Vote at Meeting:</i> | <i>Committee Vote on Ballot:</i> |
| REPORT OF HEARING: | | |
| Modification (if any): | | |
| Committee Reason: | | |
| PUBLIC COMMENT- FIRST DRAFT: | | |
| Proponent: | | |
| Desired Action: | | |
| Modification: | | |
| Reason: | | |
| <i>Committee decision: AS/AM/D</i> | <i>Committee Vote at Meeting:</i> | <i>Committee Vote on Ballot:</i> |
| REPORT OF HEARING – FIRST DRAFT | | |
| Modification (if any): | | |
| Committee Reason: | | |
| PUBLIC COMMENT- SECOND DRAFT: | | |
| Proponent: | | |
| Desired Action: | | |
| Modification: | | |
| Reason: | | |
| <i>Committee decision: AS/AM/D</i> | <i>Committee Vote at Meeting:</i> | <i>Committee Vote on Ballot:</i> |
| FINAL ACTION: | | |
| Modification (if any): | | |
| Committee Reason: | | |

04-07 – 2021
404.2.3.1

Proponent: Gina Hilberry, Cohen Hilberry Architects, representing United Cerebral Palsy

Revise as follows:

SECTION 404
DOORS, DOORWAYS AND GATES

404.2 Manual doors, doorways and manual gates.....

404.2.3.1 Floor surface. The floor surface within the maneuvering clearances shall have a slope not steeper than 1:48 and shall ~~comply with Section 302~~ not have any changes in level greater than 1/8 inch (3.2 mm).

REASON: Changes in level are not allowed at turning spaces. While door maneuvering clearances are similar in that the person is turning and in motion, they are currently allowed to exist with the same limitations as are applied to routes and locations where no turn is required. A change in level as allowed by 303.2 and 303.3 could result in a person having great difficulty manipulating the door and the wheelchair as needed to pass through a door opening and cross a threshold. Reducing the allowable height of the vertical changes in level and requiring that all such changes be beveled will address the reduced level of accessibility represented by this change to the standard.

Committee Action: AS AM D

404.2.3.1-HILBERRY.doc

| | | |
|--|-----------------------------------|----------------------------------|
| Report for 04-07– 2021 | | |
| <i>Committee decision: AS/AM/D</i> | <i>Committee Vote at Meeting:</i> | <i>Committee Vote on Ballot:</i> |
| REPORT OF HEARING: | | |
| Modification (if any): | | |
| Committee Reason: | | |
| PUBLIC COMMENT- FIRST DRAFT: | | |
| Proponent: | | |
| Desired Action: | | |
| Modification: | | |
| Reason: | | |
| <i>Committee decision: AS/AM/D</i> | <i>Committee Vote at Meeting:</i> | <i>Committee Vote on Ballot:</i> |
| REPORT OF HEARING – FIRST DRAFT | | |
| Modification (if any): | | |
| Committee Reason: | | |
| PUBLIC COMMENT- SECOND DRAFT: | | |
| Proponent: | | |
| Desired Action: | | |
| Modification: | | |
| Reason: | | |
| <i>Committee decision: AS/AM/D</i> | <i>Committee Vote at Meeting:</i> | <i>Committee Vote on Ballot:</i> |
| FINAL ACTION: | | |
| Modification (if any): | | |
| Committee Reason: | | |

04-08 – 2021

404.2.6.1

Proponent: Kimberly Paarlberg, International Code Council

Revise as follows:

SECTION 404 DOORS, DOORWAYS AND GATES

404.1 General. Doors, doorways and gates that are part of an accessible route shall comply with Section 404.

Exception: Doors, doorways and gates designed to be operated only by security personnel shall not be required to comply with Sections 404.2.3, 404.2.6, 404.2.7, 404.2.8, 404.3.1, 404.3.2, 404.3.4, 404.3.7 and 404.3.8.

404.2 Manual doors, doorways and manual gates.....

404.2.6 Door and gate hardware. Handles, pulls, latches, locks and other operable parts on doors and gates shall have a shape that is easy to grasp with one hand and does not require tight grasping, pinching or twisting of the wrist to operate. The operational force to retract latches or disengage devices that hold the door or gate in a closed position shall be as follows:

1. Hardware operation by a forward, pushing or pulling motion: 15 pounds (66.7 N) maximum.
2. Hardware operation by a rotational motion: 28 inch-pounds (315 N·cm) maximum.

404.2.6.1 Hardware height. Operable parts of such hardware shall be 34 inches (865 mm) minimum and 48 inches (1220 mm) maximum above the floor. Where sliding doors are in the fully open position, operating hardware shall be exposed and usable from both sides.

Exceptions:

1. Locks used only for security purposes and not used for normal operation are permitted at any height.
2. Where the International Swimming Pool and Spa Code requires restricting access to a pool, spa, or hot tub, and where door and gate latch release mechanisms are accessed from the outside of the barrier and are not of the self-locking type, such as mechanism shall be located above the finished floor or ground surface, not less than 52 inches (1219 mm) and not greater than 54 inches (1370 mm), provided that the latch release mechanism is not a self-locking type such as where the lock is operated by means of a key, electronic opener, or the entry of a combination into an integral combination lock.

404.3 Automatic and power-assisted doors and gates. ...

404.3.8 Door and gate hardware. Handles, pulls, latches, locks and other operable parts shall comply with Section 404.2.6.

REASON: This is a two-purpose proposal.

The intent of this proposal to exception 1 is to allow for doors to be locked up at night by business owners and to have options for security locking systems. Section 404.1 was revised last cycle to consolidate the exceptions for locks used for security purposes. By changing this to ‘security personnel’ I am hearing the interpretation that a bank can be locked down by the guard, but not by any of the staff, because they are not ‘security personnel’. This is an issue for a lot of different types of spaces. While I don’t want to forgive all items like we do in 404.1, I want to at least allow security locks on the doors to be outside of the reach since this is not ‘normal use’. This allowance should be allow for manual and automatic doors.

The intent of this proposal to exception 2 is to allow for gates on swimming pools to meet both accessibility and safety concerns associated with swimming pools being accessed by small children without supervision.

This is consistent with 2024 IBC Section 1010.2.3. A similar allowance is also provided for in the 2010 ADA.

Committee Action: AS AM D

404.1-PAARLBERG.doc

| | | |
|--|-----------------------------------|----------------------------------|
| Report for 04-08- 2021 | | |
| <i>Committee decision: AS/AM/D</i> | <i>Committee Vote at Meeting:</i> | <i>Committee Vote on Ballot:</i> |
| REPORT OF HEARING: | | |
| Modification (if any): | | |
| Committee Reason: | | |
| PUBLIC COMMENT- FIRST DRAFT: | | |
| Proponent: | | |
| Desired Action: | | |
| Modification: | | |
| Reason: | | |
| <i>Committee decision: AS/AM/D</i> | <i>Committee Vote at Meeting:</i> | <i>Committee Vote on Ballot:</i> |
| REPORT OF HEARING – FIRST DRAFT | | |
| Modification (if any): | | |
| Committee Reason: | | |
| PUBLIC COMMENT- SECOND DRAFT: | | |
| Proponent: | | |
| Desired Action: | | |
| Modification: | | |
| Reason: | | |
| <i>Committee decision: AS/AM/D</i> | <i>Committee Vote at Meeting:</i> | <i>Committee Vote on Ballot:</i> |
| FINAL ACTION: | | |
| Modification (if any): | | |
| Committee Reason: | | |

04-09 – 2021
404.2.8

Proponent: Kimberly Paarlberg, International Code Council

Revise as follows:

SECTION 404
DOORS, DOORWAYS AND GATES

404.2.8 Door and gate opening force. Fire doors and doors or gates required to be equipped with panic hardware, break away features or other factors requiring higher opening force for safety reasons shall have the minimum opening force allowable in scoping provisions adopted by the appropriate administrative authority. For other doors or gates, the force for pushing or pulling open doors or gates shall be as follows:

1. Interior hinged door: 5.0 pounds (22.2 N) maximum.
2. Interior Sliding or folding door: ~~5.0 pounds (22.2 N) maximum~~ the door shall require not more than a 30-pound (133 N) force to be set in motion and shall move to a full open position when subjected to not more than a 15-pound (67 N) force.

Exception: The force required to retract latch bolts or disengage other devices that hold the door or gate in a closed position shall not apply to panic hardware, delayed egress devices or fire-rated hardware.

REASON: This proposal addresses two issues – if the force on sliding and folding doors applies to exterior doors, and the force needed on sliding and folding interior doors. The current text could be read to apply to exterior and interior sliding or folding doors for opening force. Historically, the standard does not have a force for exterior doors due exterior forces such as wind or differences in pressure due to weather changes. A sliding or folding door that is moving on a track cannot meet the same force requirements as a swinging door. The proposed text is consistent with IBC Section 1010.1.3.

Committee Action: AS AM D

404.2.8-PAARLBERG.doc

| | | |
|--|-----------------------------------|----------------------------------|
| Report for 04-09– 2021 | | |
| <i>Committee decision: AS/AM/D</i> | <i>Committee Vote at Meeting:</i> | <i>Committee Vote on Ballot:</i> |
| REPORT OF HEARING: | | |
| Modification (if any): | | |
| Committee Reason: | | |
| PUBLIC COMMENT- FIRST DRAFT: | | |
| Proponent: | | |
| Desired Action: | | |
| Modification: | | |
| Reason: | | |
| <i>Committee decision: AS/AM/D</i> | <i>Committee Vote at Meeting:</i> | <i>Committee Vote on Ballot:</i> |
| REPORT OF HEARING – FIRST DRAFT | | |

| | | |
|--------------------------------------|-----------------------------------|----------------------------------|
| Report for 04-09- 2021 | | |
| Modification (if any): | | |
| Committee Reason: | | |
| PUBLIC COMMENT- SECOND DRAFT: | | |
| Proponent: | | |
| Desired Action: | | |
| Modification: | | |
| Reason: | | |
| <i>Committee decision: AS/AM/D</i> | <i>Committee Vote at Meeting:</i> | <i>Committee Vote on Ballot:</i> |
| FINAL ACTION: | | |
| Modification (if any): | | |
| Committee Reason: | | |

04-10 – 2021
404.3.8(New)

Proponent: Joseph R. Hetzel, P.E., Joseph R Hetzel Consulting LLC, representing American Association of Automatic Door Manufacturers (AAADM)

Revise as follows:

SECTION 404
DOORS, DOORWAYS AND GATES

404.3 Automatic and power-assisted doors and gates. ...

404.3.8 Automatic door and gate-opening force. The force required for pushing or pulling open power-assisted doors shall comply with ANSI/BHMA A156.19.

REASON: Automatic doors are regulated by ANSI/BHMA standards that dictate maximum allowable forces for manually pushing or pulling open doors when in a power-assist mode, thus language is needed in the A117.1 standard to clarify the origin of these provisions. Where the scoping provisions adopted by authorities having jurisdiction allow for or require an automatic door to be installed, the applicable ANSI/BHMA standard referenced in the International Building Code should apply.

Committee Action: AS AM D

404.2.8 #1-HETZEL.doc

| | | |
|--|-----------------------------------|----------------------------------|
| Report for 04-10- 2021 | | |
| <i>Committee decision: AS/AM/D</i> | <i>Committee Vote at Meeting:</i> | <i>Committee Vote on Ballot:</i> |
| REPORT OF HEARING: | | |
| Modification (if any): | | |
| Committee Reason: | | |
| PUBLIC COMMENT- FIRST DRAFT: | | |
| Proponent: | | |
| Desired Action: | | |
| Modification: | | |
| Reason: | | |
| <i>Committee decision: AS/AM/D</i> | <i>Committee Vote at Meeting:</i> | <i>Committee Vote on Ballot:</i> |
| REPORT OF HEARING – FIRST DRAFT | | |
| Modification (if any): | | |
| Committee Reason: | | |
| PUBLIC COMMENT- SECOND DRAFT: | | |
| Proponent: | | |
| Desired Action: | | |
| Modification: | | |
| Reason: | | |
| <i>Committee decision: AS/AM/D</i> | <i>Committee Vote at Meeting:</i> | <i>Committee Vote on Ballot:</i> |
| FINAL ACTION: | | |
| Modification (if any): | | |
| Committee Reason: | | |

04-11 – 2021
404.3.8(New)

Proponent: Joseph R. Hetzel, P.E., Joseph R Hetzel Consulting LLC, representing American Association of Automatic Door Manufacturers (AAADM)

Revise as follows:

SECTION 404
DOORS, DOORWAYS AND GATES

404.3 Automatic and power-assisted doors and gates. ...

404.3.8 Automatic door and gate-opening force in manual operation. The force required for pushing or pulling open full power automatic doors under manual operation shall comply with ANSI/BHMA A156.10. 3. The force required for pushing or pulling low-energy automatic operated doors under manual operation shall comply with ANSI/BHMA A156.19.

REASON: Automatic doors are regulated by ANSI/BHMA standards that dictate maximum allowable forces for pushing or pulling open full power and low-energy automatic doors when in a manual mode, thus language is needed in the A117.1 standard to clarify the origin of these provisions. Where the scoping provisions adopted by authorities having jurisdiction allow for or require an automatic door to be installed, the applicable ANSI/BHMA standard referenced in the International Building Code should apply.

Committee Action: AS AM D

404.2.8 HETZEL#2.doc

| | | |
|--|-----------------------------------|----------------------------------|
| Report for 04-11– 2021 | | |
| <i>Committee decision: AS/AM/D</i> | <i>Committee Vote at Meeting:</i> | <i>Committee Vote on Ballot:</i> |
| REPORT OF HEARING: | | |
| Modification (if any): | | |
| Committee Reason: | | |
| PUBLIC COMMENT- FIRST DRAFT: | | |
| Proponent: | | |
| Desired Action: | | |
| Modification: | | |
| Reason: | | |
| <i>Committee decision: AS/AM/D</i> | <i>Committee Vote at Meeting:</i> | <i>Committee Vote on Ballot:</i> |
| REPORT OF HEARING – FIRST DRAFT | | |
| Modification (if any): | | |
| Committee Reason: | | |
| PUBLIC COMMENT- SECOND DRAFT: | | |
| Proponent: | | |
| Desired Action: | | |
| Modification: | | |
| Reason: | | |
| <i>Committee decision: AS/AM/D</i> | <i>Committee Vote at Meeting:</i> | <i>Committee Vote on Ballot:</i> |
| FINAL ACTION: | | |
| Modification (if any): | | |
| Committee Reason: | | |

04-12 – 2021

404.3.4

Proponent: Kimberly Paarlberg, International Code Council

Revise as follows:

SECTION 404 DOORS, DOORWAYS AND GATES

404.3 Automatic and power-assisted doors and gates. ...

404.3.4 Maneuvering clearances. Maneuvering clearances at power-assisted doors and gates shall comply with Section 404.2.3. Maneuvering clearances complying with Section 404.2.3 shall be provided on the egress side of low-energy automatic and full power automatic doors and gates that serve as part of an accessible means of egress.

1. Low-energy automatic and full power automatic doors and gates that have standby power or battery back-up that will unlock and unlatch the door to allow free egress shall not be required to comply with this section.
2. Low-energy automatic and full power automatic doors and gates that remain open in the power-off condition shall not be required to comply with this section.
3. Full power automatic sliding doors and gates that include a break-away feature shall not be required to comply with this section.

REASON: The purpose for this proposal is to clarify ‘standby power’ requirements. This requirement came from the 2010 ADA, but that document does not clarify this either.

2010 ADA

404.3.2 Maneuvering Clearance. Clearances at power-assisted doors and gates shall comply with 404.2.4. Clearances at automatic doors and gates without standby power and serving an *accessible means of egress* shall comply with 404.2.4.

EXCEPTION: Where automatic doors and gates remain open in the power-off condition, compliance with 404.2.4 shall not be required.

The intent of this proposal is to clarify requirements for back up power at automatic doors.

2021 IBC includes a requirement for automatic doors (IBC 1106), so this will be required as well as voluntary installations. If an automatic door (assume motion sensor) is in a large facility, how would you know how many times this would need to cycle? People are all over the building, and persons with mobility impairment might be moving slower, so how would you know the automatic door would be available? If this is an exterior door, you would not want to door to open and stand open if the building lost power during a storm, or a thief just cut power to the building!?! Many stores need to have security monitoring equipment immediately inside the door – and those typically match door widths – not door maneuvering

widths. The real purpose of means of egress is free access to leave the building – so maybe just that the door is no longer locked from the inside, so you can just do a front approach with no closer or latch? Additional information from door manufactures would be appreciated.

Committee Action: AS AM D

404.3.1-PAARLBERG.doc

| | | |
|--|-----------------------------------|----------------------------------|
| Report for 04-12- 2021 | | |
| <i>Committee decision: AS/AM/D</i> | <i>Committee Vote at Meeting:</i> | <i>Committee Vote on Ballot:</i> |
| REPORT OF HEARING: | | |
| Modification (if any): | | |
| Committee Reason: | | |
| PUBLIC COMMENT- FIRST DRAFT: | | |
| Proponent: | | |
| Desired Action: | | |
| Modification: | | |
| Reason: | | |
| <i>Committee decision: AS/AM/D</i> | <i>Committee Vote at Meeting:</i> | <i>Committee Vote on Ballot:</i> |
| REPORT OF HEARING – FIRST DRAFT | | |
| Modification (if any): | | |
| Committee Reason: | | |
| PUBLIC COMMENT- SECOND DRAFT: | | |
| Proponent: | | |
| Desired Action: | | |
| Modification: | | |
| Reason: | | |
| <i>Committee decision: AS/AM/D</i> | <i>Committee Vote at Meeting:</i> | <i>Committee Vote on Ballot:</i> |
| FINAL ACTION: | | |
| Modification (if any): | | |
| Committee Reason: | | |

04-13 – 2021

404.3.10(New)

Proponent: Kimberly Paarlberg, International Code Council

Add new text as follows:

SECTION 404 DOORS, DOORWAYS AND GATES

404.3 Automatic and power-assisted doors and gates. ...

404.3.10 Door and gate surfaces. On power-assisted swinging doors and gates, surfaces within 10 inches (255 mm) of the finish floor or ground measured vertically, shall comply with Section 404.2.9.

(Note: No changes to Section 404.2.9. Shown only for reference.)

404.2.9 Door and gate surface. Door and gate surfaces within 10 inches (255 mm) of the floor, measured vertically, shall be smooth surfaces on the push side extending the full width of the door or gate. Door and gate hardware or any other obstruction or protrusion shall not be mounted in nor extend into the area within 10 inches (255 mm) of the floor. Parts creating horizontal or vertical joints in such surfaces shall be within $\frac{1}{16}$ inch (1.6 mm) of the same plane as the other. Cavities created by added kick plates shall be capped.

Exceptions:

1. Sliding doors shall not be required to comply with this section.
2. Tempered glass doors without stiles and having a bottom rail or shoe with the top leading edge tapered at no less than 60 degrees from the horizontal shall not be required to comply with the 10-inch (255 mm) bottom rail height requirement.
3. Doors and gates that do not extend to within 10 inches (255 mm) of the floor shall not be required to comply with this section.
4. The installation of kick plates on existing doors and gates without a smooth surface within 10 inches (255 mm) of the floor shall be permitted. The kick plates shall extend to 10 inches (255 mm) above the floor and no more than 1 inch (25 mm) from the sides and bottom of the door. Cavities created by such kickplates shall be capped.

REASON: As currently written – due to Section 404.2 scoping – Section 404.2.9 and the smooth door surface requirements are only applicable to “manual doors and gates.” This exclusion of automatic and power-assisted doors is not coordinated with ADA Section 404.2.10 which would apply similar requirements to any door, manual, automatic or power-assisted.

At a minimum, Section 404.3 needs to be modified so that power-assisted doors must meet this requirement. Unlike an automatic door, a power-assisted door does require the user to initiate a force on the door to begin its operation. Because of this need to push up against the door to start the door opening motion, a smooth solid surface is needed.

I have included two options. The first to address only the power-assisted doors since that is the most critical need, and the second to address both automatic (full power or low-energy) and power-assisted doors. The second option would coordinate with the ADA while the first option is only a partial step towards coordination but a definite improvement in access for the A117.1.

Another issue which is not addressed by this proposal but would be something for the committee to consider is how to handle automatic doors when the power goes out. This would be important for both swinging and sliding doors since they would rely on the break-away feature and become a swinging door. Since the committee did require maneuvering clearances (Exception 1 in 404.3.4) if standby or back-up power is not required, then it may also be reasonable to consider the door surface requirements if such power is not provided and the doors must then be used manually.

Committee Action: AS AM D

404.3-PAARLBERG.doc

| | | |
|--|-----------------------------------|----------------------------------|
| Report for 04-13- 2021 | | |
| Committee decision: AS/AM/D | Committee Vote at Meeting: | Committee Vote on Ballot: |
| REPORT OF HEARING: | | |
| Modification (if any): | | |
| Committee Reason: | | |
| PUBLIC COMMENT- FIRST DRAFT: | | |
| Proponent: | | |
| Desired Action: | | |
| Modification: | | |
| Reason: | | |
| Committee decision: AS/AM/D | Committee Vote at Meeting: | Committee Vote on Ballot: |
| REPORT OF HEARING – FIRST DRAFT | | |
| Modification (if any): | | |
| Committee Reason: | | |
| PUBLIC COMMENT- SECOND DRAFT: | | |
| Proponent: | | |
| Desired Action: | | |
| Modification: | | |
| Reason: | | |
| Committee decision: AS/AM/D | Committee Vote at Meeting: | Committee Vote on Ballot: |
| FINAL ACTION: | | |
| Modification (if any): | | |
| Committee Reason: | | |

04-14 – 2021
404.5.1

Proponent: Kimberly Paarlberg, International Code Council

Add new text as follows:

SECTION 405
RAMPS

405.1 General. Ramps along accessible routes shall comply with Section 405.

EXCEPTIONS:

1. In assembly areas, aisle ramps adjacent to seating and not serving elements required to be on an accessible route shall not be required to comply with Section 405.
2. Exterior sidewalks that connect elements on a site and that are a minimum of 48 inches wide and slope with grade are not required to comply with Section 405.

REASON: In hilly sites, sidewalks that move up with the grade may be sloped enough to be considered a ramp. However, to put curb protection and handrails on these sidewalks will block access to street parking and adjacent building entrances. This exception is consistent with Public Right-of-way where dealing with sloped streets.

Committee Action: AS AM D

404.3-PAARLBERG.doc

| | | |
|--|-----------------------------------|----------------------------------|
| Report for 04-14– 2021 | | |
| <i>Committee decision: AS/AM/D</i> | <i>Committee Vote at Meeting:</i> | <i>Committee Vote on Ballot:</i> |
| REPORT OF HEARING: | | |
| Modification (if any): | | |
| Committee Reason: | | |
| PUBLIC COMMENT- FIRST DRAFT: | | |
| Proponent: | | |
| Desired Action: | | |
| Modification: | | |
| Reason: | | |
| <i>Committee decision: AS/AM/D</i> | <i>Committee Vote at Meeting:</i> | <i>Committee Vote on Ballot:</i> |
| REPORT OF HEARING – FIRST DRAFT | | |
| Modification (if any): | | |
| Committee Reason: | | |
| PUBLIC COMMENT- SECOND DRAFT: | | |
| Proponent: | | |
| Desired Action: | | |
| Modification: | | |
| Reason: | | |
| <i>Committee decision: AS/AM/D</i> | <i>Committee Vote at Meeting:</i> | <i>Committee Vote on Ballot:</i> |
| FINAL ACTION: | | |
| Modification (if any): | | |
| Committee Reason: | | |

04-15 – 2021
Table 405.2

Proponent: Edward Steinfeld, IDEA Center, University at Buffalo, representing RESNA

Revise as follows:

SECTION 405
RAMPS

405.2 Slope. Ramp runs shall have a running slope greater than 1:20 and not steeper than 1:12.
Exception: In existing buildings or facilities, ramps shall be permitted to have slopes steeper than 1:12 complying with Table 405.2 where such slopes are necessary due to space limitations.

TABLE 405.2
ALLOWABLE RAMP DIMENSIONS FOR CONSTRUCTION IN EXISTING SITES, BUILDINGS AND FACILITIES

| <u>Maximum Slope of Ramp⁺</u> | <u>Maximum Rise</u> |
|--|---|
| 1:8 | 3 inches (75 mm) |
| Steeper than 1:10 but not steeper than 1:8 | 6 inches (150 mm) 3 inches (75 mm) |
| Steeper than 1:12 but not steeper than 1:10 | 6 inches (150 mm) 30 in. (760 mm) |

~~1. A slope steeper than 1:8 shall not be permitted.~~

REASON: The existing table implies that ramps lower in rise must have steeper slopes and does not include the rise allowed for 1:12 ramps which implies that they are not allowed. In fact, a lower slope is desirable in all cases. The revisions clarify the intent. Note also the footnote number can be deleted if these changes are made.

Committee Action: AS AM D

Table 405.2 STEINFELD.doc

| | | |
|--|-----------------------------------|----------------------------------|
| Report for 04-15- 2021 | | |
| <i>Committee decision: AS/AM/D</i> | <i>Committee Vote at Meeting:</i> | <i>Committee Vote on Ballot:</i> |
| REPORT OF HEARING: | | |
| Modification (if any): | | |
| Committee Reason: | | |
| PUBLIC COMMENT- FIRST DRAFT: | | |
| Proponent: | | |
| Desired Action: | | |
| Modification: | | |
| Reason: | | |
| <i>Committee decision: AS/AM/D</i> | <i>Committee Vote at Meeting:</i> | <i>Committee Vote on Ballot:</i> |
| REPORT OF HEARING – FIRST DRAFT | | |
| Modification (if any): | | |
| Committee Reason: | | |
| PUBLIC COMMENT- SECOND DRAFT: | | |
| Proponent: | | |
| Desired Action: | | |

Report for 04-15- 2021

Modification:

Reason:

Committee decision: AS/AM/D**Committee Vote at Meeting:****Committee Vote on Ballot:****FINAL ACTION:**

Modification (if any):

Committee Reason:

04-16 – 2021
405.7.5

Proponent: Ashley Pitts, Jensen Hughes, Inc.

Revise as follows:

SECTION 405
RAMPS

405.7.5 Doorways. Where a door or gate is adjacent to a ramp landing, maneuvering clearances required by Sections 404.2.3 and 404.3.4 shall be permitted to overlap the landing area. Doors, gates, and the swing of the door or gate shall not overlap the required minimum area of the ramp landing. Where a door or gate that is subject to locking is located adjacent to a ramp landing, the landing shall be sized to provide a turning space complying with Section 304.3.

REASON: The commentary to this section states: “The maneuvering clearance can overlap the ramp landing, just not the door or the door swing.” This intent is not apparent in the code language. If the intent is to prohibit a door swing from overlapping the minimum required ramp landing, then this should be stated in the code language.

Committee Action: AS AM D

405.7.5-PITTS.doc

| | | |
|--|-----------------------------------|----------------------------------|
| Report for 04-16– 2021 | | |
| <i>Committee decision: AS/AM/D</i> | <i>Committee Vote at Meeting:</i> | <i>Committee Vote on Ballot:</i> |
| REPORT OF HEARING: | | |
| Modification (if any): | | |
| Committee Reason: | | |
| PUBLIC COMMENT- FIRST DRAFT: | | |
| Proponent: | | |
| Desired Action: | | |
| Modification: | | |
| Reason: | | |
| <i>Committee decision: AS/AM/D</i> | <i>Committee Vote at Meeting:</i> | <i>Committee Vote on Ballot:</i> |
| REPORT OF HEARING – FIRST DRAFT | | |
| Modification (if any): | | |
| Committee Reason: | | |
| PUBLIC COMMENT- SECOND DRAFT: | | |
| Proponent: | | |
| Desired Action: | | |
| Modification: | | |
| Reason: | | |
| <i>Committee decision: AS/AM/D</i> | <i>Committee Vote at Meeting:</i> | <i>Committee Vote on Ballot:</i> |
| FINAL ACTION: | | |
| Modification (if any): | | |
| Committee Reason: | | |

04-17 – 2021

Figures 406.2(A), 406.2(B), 406.3(A), 406.3(B), 406.4, 406.5.2, 406.5.5

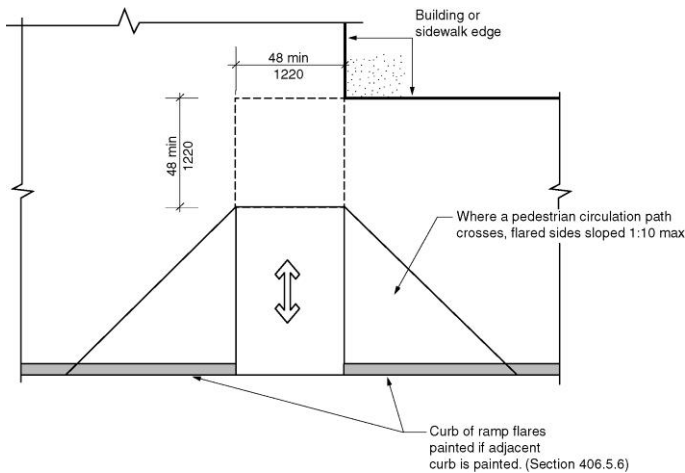
Proponent: Billie Louise (Beezy) Bentzen, PhD., Accessible Design for the Blind, representing Association for the Education and Rehabilitation of the Blind and Visually Impaired (AER)

Revise as follows:

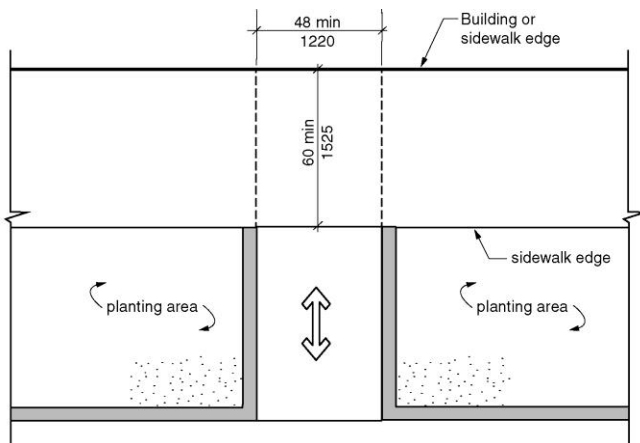
SECTION 406 CURB RAMPS AND BLENDED TRANSITIONS

Figures 406.2(A) through 406.5.5

Note: These figures should all show detectable warnings.



**FIGURE 406.2(A)
PERPENDICULAR CURB RAMP**



**FIGURE 406.2(B)
PERPENDICULAR CURB RAMP**

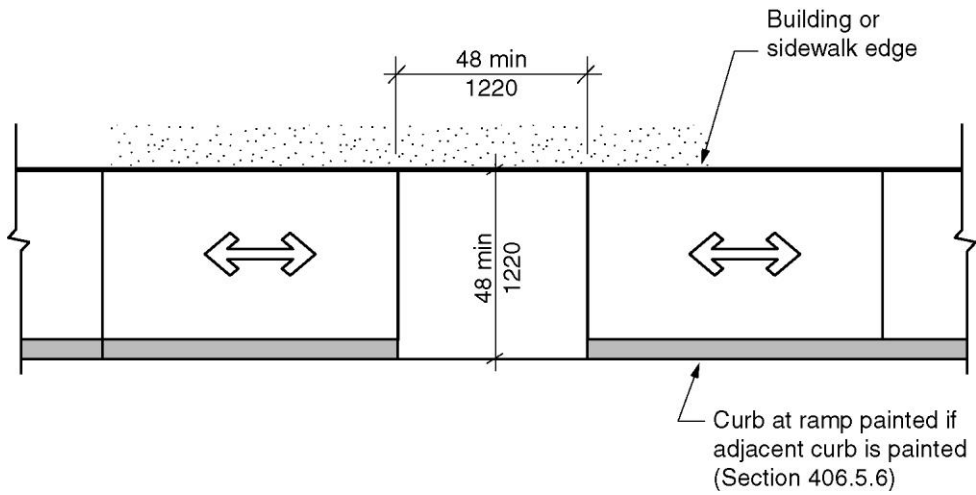


FIGURE 406.3(A)
PARALLEL CURB RAMP

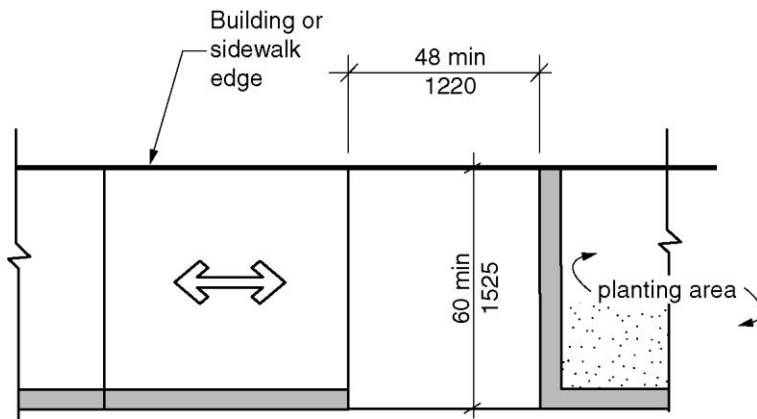
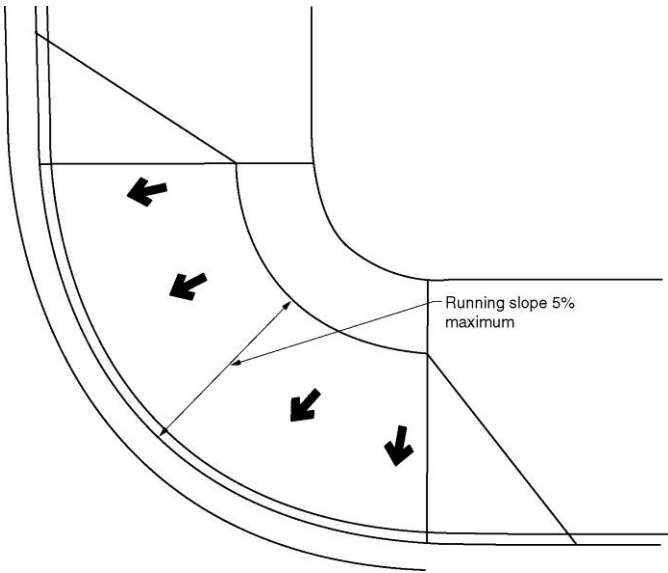
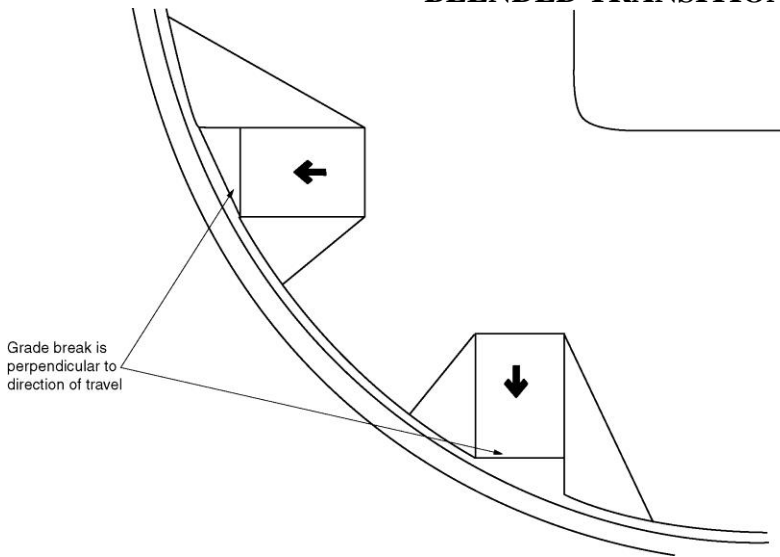


FIGURE 406.3(B)
PARALLEL CURB RAMP



**FIGURE 406.4
BLENDED TRANSITION**



**FIGURE 406.5.2
GRADE BREAK**

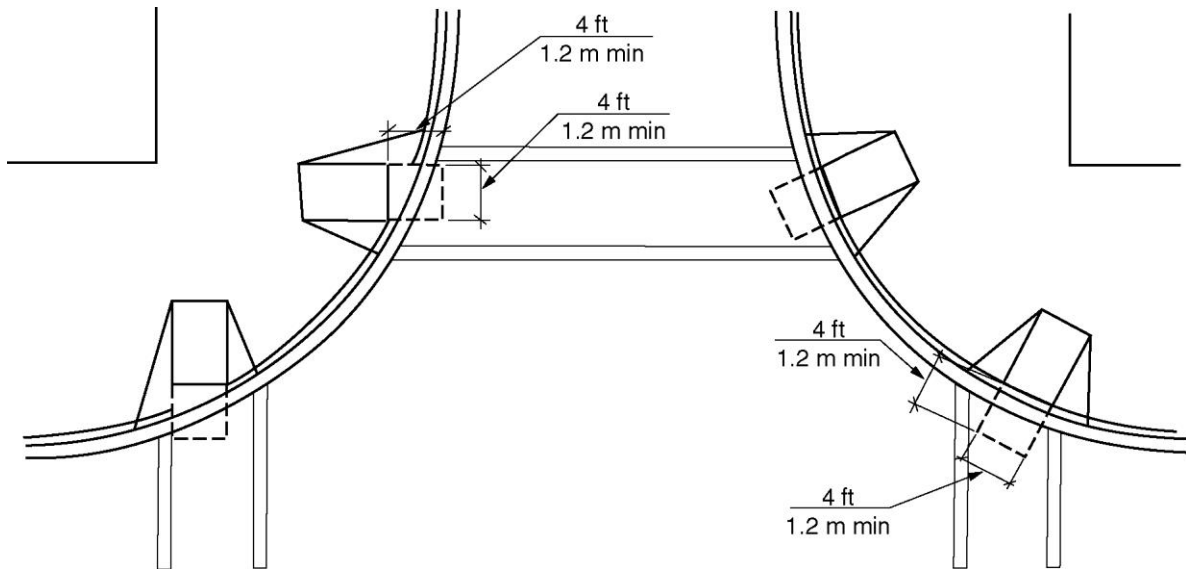


FIGURE 406.5.5
CLEAR SPACE AT BOTTOM OF CURB RAMPS AND BLENDED TRANSITIONS

REASON: Curb ramps are not complete without detectable warnings. While there is a section showing detectable warnings on curb ramps in some detail, they should not be omitted here. It implies that they are not required. Wherever curb ramps are depicted, unless they are not required to have detectable warnings, as in Figure 502.9.1, the detectable warning should be included. Figure 502.9.1.2 correctly includes the detectable warning, even though it is in Section 502 Parking Spaces.

Staff Note: Where detectable warnings are required is indicated in Section 406.6.2.

Committee Action: AS AM D
Figure 406.2(A) et al-BENTZEN.doc

| | | |
|--|-----------------------------------|----------------------------------|
| Report for 04-17- 2021 | | |
| <i>Committee decision: AS/AM/D</i> | <i>Committee Vote at Meeting:</i> | <i>Committee Vote on Ballot:</i> |
| REPORT OF HEARING: | | |
| Modification (if any): | | |
| Committee Reason: | | |
| PUBLIC COMMENT- FIRST DRAFT: | | |
| Proponent: | | |
| Desired Action: | | |
| Modification: | | |
| Reason: | | |
| <i>Committee decision: AS/AM/D</i> | <i>Committee Vote at Meeting:</i> | <i>Committee Vote on Ballot:</i> |
| REPORT OF HEARING – FIRST DRAFT | | |
| Modification (if any): | | |
| Committee Reason: | | |
| PUBLIC COMMENT- SECOND DRAFT: | | |
| Proponent: | | |
| Desired Action: | | |
| Modification: | | |
| Reason: | | |
| <i>Committee decision: AS/AM/D</i> | <i>Committee Vote at Meeting:</i> | <i>Committee Vote on Ballot:</i> |
| FINAL ACTION: | | |
| Modification (if any): | | |
| Committee Reason: | | |

04-18 – 2021
407, 407.1, 408.1, 409.1

Proponent: Kimberly Paarlberg, International Code Council

Revise as follows:

SECTION 407
PASSENGER ELEVATORS

407.1 General. Elevators shall comply with Sections 408, 409 or 410 and ASME A17.1/CSA B44 listed in Section 106.2.8. Elevators used on an accessible route shall be passenger elevators as classified by ASME A17.1/CSA B44. Passenger elevators classified as Limited-Use/Limited-Application complying with Sections 409 and Private Residence elevators complying with Section 410 shall be permitted to be used where permitted by ASME A17.1/CSA B44.

Note: Renumber Sections 407, 408, 409 and 410 and their subsections as indicated.

SECTION 407 408
ELEVATORS

407.1 408.1 General. Elevators shall comply with Section 407 and ASME A17.1/CSA B44 listed in Section 106.2.8. Elevators shall be passenger elevators as classified by ASME A17.1/CSA B44. Elevator operation shall be automatic.

SECTION 408 409
LIMITED USE/LIMITED APPLICATION ELEVATORS

408.1 409.1 General. Limited-use/limited-application elevators shall comply with Section 408 and ASME A17.1/CSA B44 listed in Section 106.2.8. Elevator operation shall be automatic.

SECTION 409 410
PRIVATE RESIDENCE ELEVATORS

409.1 410.1 General. Private residence elevators shall comply with Section 409 and ASME A17.1/CSA B44 listed in Section 106.2.8. Elevator operation shall be automatic.

Exception: Elevators complying with Section 407 or 408 shall not be required to comply with Section 409.

SECTION 410 411
PLATFORM LIFTS

410.1 411.1 General. Platform lifts shall comply with Section 410 and ASME A18.1 listed in Section 106.2.9. Platform lifts shall not be attendant operated and shall provide unassisted entry and exit from the lift.

REASON: The intent of this proposal is to clarify that LULA and Private Residence elevators are a type of passenger elevator and are permitted to be used on an accessible route – when they are used where intended and compliant with the ASME A17.1/CSA B44 standard.

Much like the confusion caused by having Accessible dwelling units and questioning whether Type A and Type B units are also accessible units; where scoping documents require an “Elevator” on an accessible route, it is often perceived as only permitting devices that comply with Section 407 of the standard. The ASME elevator standard classifies LULA and Private Residence elevators as a type of Passenger Elevator. Any of these three types should be allowed to serve as an accessible route – if used appropriately. The A117.1 standard clearly has used and accepted LULAs and Private Residence elevators, but it would just help eliminate questions and confusion as to whether they are a compliant accessible “Elevator” which is often viewed as only being a Section 407 system.

The new general Section 407.1 could be used to eliminate duplicative language found in the existing Sections 407.1, 408.1 and 409.1. For example, all three sections refer to the ASME standard and also require the elevator operation to be automatic. That duplicative language could be deleted since it is addressed by the new general section, or it can be kept to minimize the changes and to reinforce the requirement. Retaining the language within the individual sections does help to coordinate with the ADA.

Another solution if the committee would prefer to not renumber the various sections and keep the A117.1 and the ADA numerically aligned would be to simply insert an exception into the existing Section 407.1 that would use the proposed new sentence or similar language to indicate that the use of a LULA or Private Residence elevator is acceptable where permitted by the elevator standard.

Committee Action:

AS

AM

D

407.1-PAARLBERG.doc

| Report for 04-18- 20211 | | |
|--|-----------------------------------|----------------------------------|
| <i>Committee decision: AS/AM/D</i> | <i>Committee Vote at Meeting:</i> | <i>Committee Vote on Ballot:</i> |
| REPORT OF HEARING: | | |
| Modification (if any): | | |
| Committee Reason: | | |
| PUBLIC COMMENT- FIRST DRAFT: | | |
| Proponent: | | |
| Desired Action: | | |
| Modification: | | |
| Reason: | | |
| <i>Committee decision: AS/AM/D</i> | <i>Committee Vote at Meeting:</i> | <i>Committee Vote on Ballot:</i> |
| REPORT OF HEARING – FIRST DRAFT | | |
| Modification (if any): | | |
| Committee Reason: | | |
| PUBLIC COMMENT- SECOND DRAFT: | | |
| Proponent: | | |
| Desired Action: | | |
| Modification: | | |
| Reason: | | |
| <i>Committee decision: AS/AM/D</i> | <i>Committee Vote at Meeting:</i> | <i>Committee Vote on Ballot:</i> |
| FINAL ACTION: | | |
| Modification (if any): | | |
| Committee Reason: | | |

04-19 – 2021

107.5, 407.2, 407.2.1, 407.2.1.1, 407.2.1.2, 407.2.1.5, 407.2.1.6, 407.2.1.7, 407.2.3(New) through 407.2.3.10.1(New), 407.2.4.4(New), 407.2.4.4.1(New), 497.2.2.4, 407.2.3.1, 407.2.4, 407.4.7.1.1, 407.4.7.1.2, 407.4.7.1.2.1(New), 407.4.7.2, Figure 407.2.1.7

Proponent: Kevin Brinkman, National Elevator Industry, Inc. (NEII)

Revise as follows:

SECTION 107 DEFINITIONS

107.5 Defined terms.

accessibility function button. A button on an elevator hall call console in a destination-oriented elevator system that, when pressed, will activate a series of visual and verbal prompts and announcements providing instruction regarding hall call console operation and direction to an assigned elevator.

hall call console. An elevator call user interface exclusive to a destination-oriented elevator system that requires the user to select a destination floor prior to entering the elevator car.

SECTION 407 ELEVATORS

407.1 General. Elevators shall comply with Section 407 and ASME A17.1/CSA B44 listed in Section 106.2.8. Elevators shall be passenger elevators as classified by ASME A17.1/ CSA B44. Elevator operation shall be automatic.

407.2 Elevator landing requirements. ~~Elevator call controls, hall signals and hoistway signs landings~~ shall comply with Section 407.2. Where elevator call buttons, keypads, or hall call consoles are provided, they shall also comply with Section 309.4.

407.2.1 Call Controls. ~~Where elevator call buttons or key pads are provided, they shall also comply with Sections 407.2.1 and 309.4.~~ Call buttons, accessibility function button, and additional feature buttons shall be raised or flush. Objects beneath hall call buttons shall protrude 1 inch (25 mm) maximum.

Exceptions:

1. Existing elevators shall be permitted to have recessed call buttons.
2. The restriction on objects beneath call buttons shall not apply to existing call buttons.

407.2.1.1 Height. Call buttons, ~~and~~ keypads, and hall call consoles shall be located within one of the reach ranges specified in Section 308, measured to the centerline of the highest operable part.

Exception: Existing call buttons, ~~and~~ existing keypads and hall call consoles

shall be permitted to be located 54 inches (1370 mm) maximum above the floor, measured to the centerline of the highest operable part.

(Note: No change to figure)

FIGURE 407.2.1.1 HEIGHT OF ELEVATOR CALL BUTTONS

407.2.1.2 Size. ~~Call buttons~~ Buttons shall be $\frac{3}{4}$ inch (19 mm) minimum in the smallest dimension.

Exception: Existing elevator call buttons shall not be required to comply with this section.

407.2.1.3 Clear floor space. A clear floor space shall be provided at call controls

407.2.1.4 Location. The call button that designates the up direction shall be located above the call button that designates the down direction.

Exception: Destination-oriented elevators shall not be required to comply with this section.

407.2.1.5 Signals. Call buttons shall have visible signals to indicate when each call is registered and when each call is answered. Call buttons shall provide an audible signal or mechanical motion of the button to indicate when each call is registered.

Exceptions:

1. Destination-oriented elevators shall not be required to comply with Section 407.2.1.5, ~~provided a visible signal and audible tones and verbal announcements complying with this section are provided.~~
2. Existing elevators shall not be required to comply with Section 407.2.1.5.

~~407.2.1.6~~ **407.2.2 Keypads.** Where keypads are provided, keypads shall be in a standard telephone keypad arrangement complying with Figure 707.5(A) and shall comply with Section 407.4.7.2.

~~407.2.1.7 Destination-oriented elevator signals.~~ Destination-oriented elevators shall be provided with a visible signal and audible tones and verbal announcements to indicate which car is responding to a call. The audible tone and verbal announcement shall be activated by pressing a function button. The function button shall be identified by the International Symbol for Accessibility and a raised indication. The International Symbol for Accessibility, complying with Section 703.6.3.1, shall be $\frac{5}{8}$ inch (16 mm) in height and be a visual character complying with Section 703.2. The indication shall be three raised dots, spaced $\frac{1}{4}$ inch (6.4 mm) at base diameter, in the form of an equilateral triangle. The function button shall be located immediately below the keypad arrangement or floor buttons.

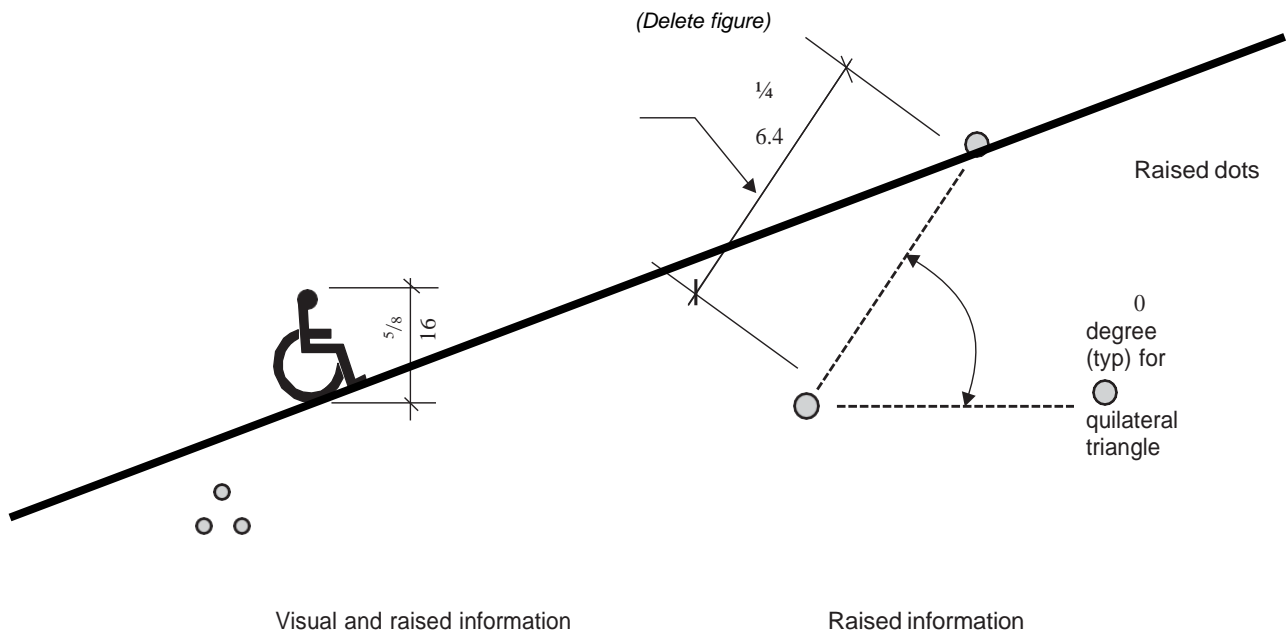


FIGURE 407.2.1.7
DESTINATION-ORIENTED ELEVATOR INDICATION

407.2.3 Hall Call Consoles. Hall call consoles shall comply with the following requirements:

407.2.3.1 Location. At least one hall call console in the elevator landing area shall be wall mounted. A minimum of one hoistway entrance shall be adjacent to a hall call console. For a multi-car group, the console shall be located between two entrances.

407.2.3.2 Additional hall call consoles. Additional hall call consoles shall be permitted and can be provided outside the elevator landing area and be wall-mounted, pedestal mounted, or mounted on a kiosk or security turnstile.

407.2.3.3 Required features. Hall call consoles shall include a touch screen or keypad complying with 407.2.2 with display screen, an accessibility function button, and audio output loudspeaker. The accessibility function button shall be identified by the International Symbol for Accessibility and a raised indication. The International Symbol for Accessibility, complying with Section 703.6.3.1, shall be a minimum of 5/8 inch (16 mm) in height and be a visual character complying with Section 703.2. The indication shall be three raised dots, spaced 1/4 inch (6.4 mm) at base diameter, in the form of an equilateral triangle. The accessibility function button shall be located immediately below the keypad arrangement or floor buttons.

407.2.3.4 Touch screen. Touch screen displays shall comply with 407.2.3.5.

407.2.3.5 Display screen. Upon activation, the display screen shall display information such as user input confirmation, elevator assignment designation, direction to the assigned elevator, and when applicable instruction or error messages.

407.2.3.5.1 Contrast. Display screens shall provide contrast with light characters and symbols on a dark background or dark characters and symbols on a light background. The background shall be solid and static.

407.2.3.5.2 Size. Elevator assignment characters shall be 5/8 inch (16 mm) high minimum.

407.2.3.5.3 Duration. Elevator assignment characters shall be displayed for a minimum of 5 seconds upon activation of the accessibility function button.

407.2.3.6 Audio output. Upon activation of the accessibility function button, the audio output shall provide verbal announcements of operating instructions and information such as, user input confirmation, announcement of the elevator assignment designation, direction to the assigned elevator, and, when applicable, error messages. Audio output shall be recorded, digitized human, or synthesized speech and shall be delivered through a loudspeaker. Auditory volume, measured 35 inches (890 mm) in front of the console, shall be maintained at a minimum of 10 dBA above ambient. The volume shall not exceed 80 dBA.

407.2.3.7 Arrangement. Hall call console arrangement of required features shall comply with 407.2.3.7.

407.2.3.7.1 Keypad call console arrangement. Where keypad call consoles are provided, the display screen shall be located directly above the keypad. The accessibility function button shall be located directly below the keypad at a height of not less than 30 inches (760 mm), measured to the centerline of the button, above the finished floor.

407.2.3.7.2 Touch screen call console arrangement. Where touch screen call consoles are provided, the touch screen shall be located directly above the accessibility function button. Any portion of the touch screen requiring user input shall be located at a maximum height of 1220 mm (48 inches), above the finished floor. The accessibility function button shall be located at a height not less than 30 inches (760 mm), measured to the centerline of the button, above the finished floor.

407.2.3.7.3 Proximity of required elements. Required features shall be provided on a hall call console assembly or as individual elements grouped in close proximity.

407.2.3.7.4 Position. For hall call consoles required by Section 407.2.3.1, the face of individual elements or group of individual elements that are operated by user

input shall be permitted to slope away from the user, at an angle of no more than 25 degrees from the vertical plane. The face of hall call console shall be permitted to be sloped away from the user, at an angle of no more than 25 degrees from the vertical plane. Additional hall call consoles are permitted to have an angle greater than 25 degrees.

407.2.3.8 Additional features. Hall call console additional features, if provided, shall comply with the following requirements:

407.2.3.8.1 Hall call console additional buttons. Hall call console buttons provided in addition to the accessibility function button shall be permitted.

407.2.3.8.1.1 Arrangement. Buttons shall be arranged and located adjacent to the keypad with a minimum spacing from the keypad to the additional buttons of 1.5 times the spacing used for the standard telephone keypad complying with 407.2.2.

407.2.3.8.1.2 Identification. Buttons shall be identified by raised characters and braille complying with Sections 703.3.1 through 703.3.9 and 703.4.1 through 703.4.4. Identification shall be placed immediately to the left of the control button to which the designation applies.

407.2.3.9 Security or access controls. Security or access control system card readers associated with elevator operation shall be in close proximity to each hall call console in a consistent manner throughout the facility.

407.2.3.10 Elevator car assignment. When the accessibility function button is pressed, the audio output shall provide verbal instruction for the user to enter a destination floor. The selected destination floor shall be confirmed by verbal announcement and on the display screen. Verbal and visible indication of an invalid input shall be provided. The display screen shall indicate the elevator assignment designation and a verbal announcement shall be made of the assigned elevator responding to the call. Visual and verbal direction to the assigned elevator shall be provided.

407.2.3.10.1 Adjacency assignment. When the accessibility function button is pressed, the system shall assign an elevator adjacent to the hall call console unless the adjacent elevator is out of service.

~~407.2.2~~**407.2.4 Hall signals.** Hall signals, including in-car signals, shall comply with Section ~~407.2.2~~ 407.2.4.

~~407.2.2.1~~ **407.2.4.1 Visible and audible signals.** A visible and audible signal shall be provided at each hoistway entrance to indicate which car is answering a call and the car's direction of travel. Where in-car signals are provided they shall be visible from the floor area adjacent to the hall call buttons.

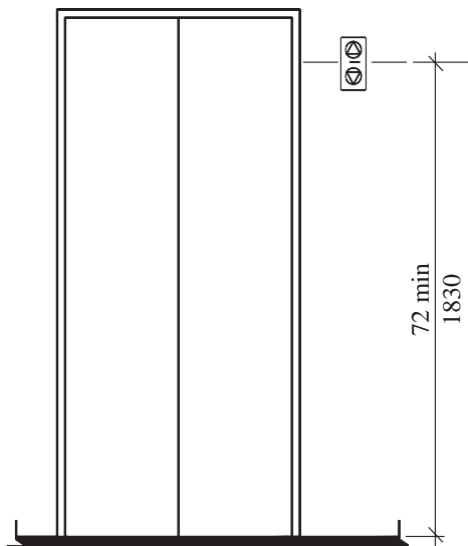
Exceptions:

1. Destination-oriented elevators shall not be required to comply with this section, provided a visible signal and audible tones and verbal announcements complying with Section 407.2.1.7 402.2.4.4 are provided.
2. In existing elevators, a signal indicating the direction of car travel shall not be required.

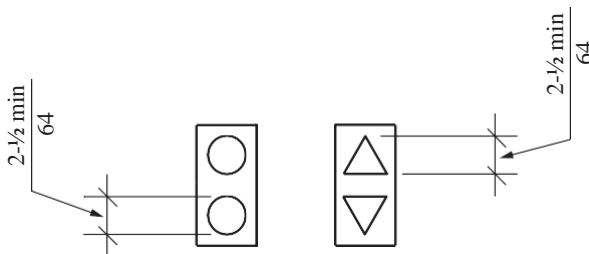
407.2.2.2 407.2.4.2 Visible signals. Visible signal fixtures shall be centered at 72 inches (1830 mm) minimum above the floor. The visible signal elements shall be 2½ inches (64 mm) minimum between the uppermost and lowest edges of the illuminated shape measured vertically. Signals shall be visible from the floor area adjacent to the hall call button.

Exceptions:

1. Destination-oriented elevators shall be permitted to have signals visible from the floor area adjacent to the hoistway entrance.
2. Existing elevators shall not be required to comply with this section.



**FIGURE 407.2.2.2 407.2.4.2 (A) ELEVATOR VISIBLE SIGNALS
HEIGHT OF SIGNALS**



**FIGURE 407.2.2.2 407.2.4.2 (B) ELEVATOR VISIBLE
SIGNALS SIZE OF SIGNALS**

407.2.2.3 407.2.4.3 Audible signals. Audible signals shall sound once for the up direction and twice for the down direction, or shall have verbal annunciators that indicate the direction of elevator car travel. Audible signals shall have a frequency of 1500 Hz maximum. Verbal annunciators shall have a frequency of 300 Hz minimum and 3,000 Hz maximum. The audible signal or verbal annunciator shall be 10 dBA minimum above ambient, but shall not exceed 80 dBA, measured at the hall call button.

Exceptions:

1. Destination-oriented elevators shall not be required to comply with this section, provided the audible tone and verbal announcement is the same as those given at the call button or call button keypad.
2. The requirement for the frequency and range of audible signals shall not apply in existing elevators.

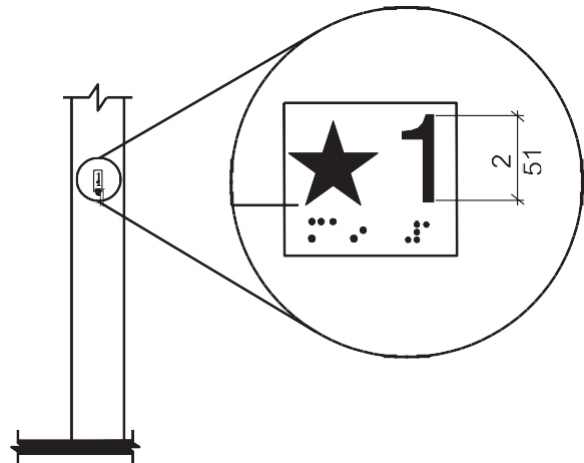
407.2.4.4 Destination-oriented elevator signals. Destination-oriented elevators shall be provided with hall call consoles complying with Section 407.2.3 and with a visible signal and audible tones and verbal announcements to indicate which car is responding to a call. The audible tone and verbal announcement shall be activated by pressing an accessibility function button.

407.2.4.4.1 Verbal Announcement. When the accessibility function button is pressed, verbal announcement such as the car designation shall be provided at the elevator car entrance upon arrival. Audio output shall be recorded digitized human or synthesized speech and shall be delivered through a loudspeaker. The verbal annunciator shall have a frequency of 300 Hz minimum and 3000 Hz maximum. Auditory volume, measured 35 inches (890 mm) in front of the elevator entrance and at 48 inches (1220 mm) above the floor, shall be maintained at a minimum of 10 dBA. The volume shall not exceed 80 dBA.

407.2.4.5 407.2.2.4 Differentiation. Each destination-oriented elevator in a bank group of elevators shall have audible and visible means for differentiation.

407.2.3 407.2.5 Hoistway signs. Signs at elevator hoistways shall comply with Section 407.2.3 407.2.5.

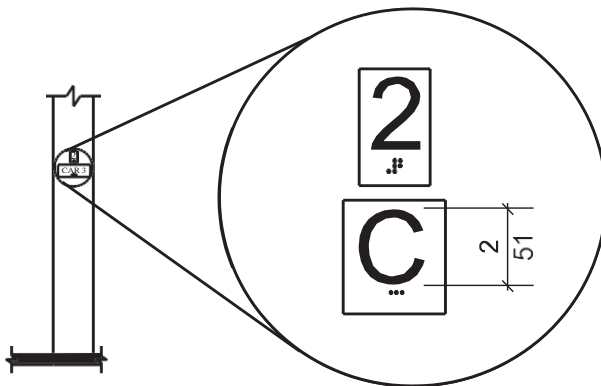
407.2.3.1 407.2.5.1 Floor designation. Floor designations shall be provided in raised characters and braille complying with Sections 703.3 and 703.4. Raised characters shall be 2 inches (51 mm) minimum in height. Floor designations shall be located on both jambs of elevator hoistway entrances. A raised star shall be provided on both jambs at the main entry level.



**FIGURE 407.2.3.1 407.2.5.1
FLOOR DESIGNATION**

407.2.3.1 407.2.5.2 Car identification. Destination-oriented elevators cars shall be designated with a single alphabetic character or an alphanumeric designations such as “A1”. shall provide cCar identification shall be provided in raised characters and braille complying with Sections 703.3.1 through 703.3.9 and 703.4.1 through 703.4.4. Raised characters shall be 2 inches (51 mm) minimum in height. Car identifications shall be located on both jambs of the hoistway immediately below the floor designation.

407.2.3.2



**FIGURE 407.2.3.2 407.2.5.2
DESTINATION-ORIENTED ELEVATOR CAR IDENTIFICATION**

407.2.4 407.2.6 Destination signs. Where signs indicate that elevators do not serve all landings, signs in raised characters and braille complying with Sections 703.3.1 through 703.3.9 and 703.4.1 through 703.4.4 shall be provided above the hall call button or keypad.

Exception: Destination oriented elevator systems shall not be required to comply with this section.

Note: No change to Sections 407.3 through 407.4.6.

407.4.7 Designations and indicators of car controls. Designations and indicators of car

controls shall comply with Section 407.4.7.

Exceptions:

1. In existing elevators, where a new car operating panel complying with Section 407.4.7 is provided, existing car operating panels shall not be required to comply with Section 407.4.7.
2. Where existing building floor designations differ from the arrangement required by Section 407.4.6.2.2, or are alphanumeric, a new operating panel shall be permitted to use such existing building floor designations.

407.4.7.1 Buttons. Car control buttons shall comply with Section 407.4.7.1.

407.4.7.1.1 Type. Control buttons shall be identified by raised characters and braille complying with Sections 703.3.1 through 703.3.9 and 703.4.1 through 703.4.4.

407.4.7.1.2 Designation. Floors shall be designated . . . -4, -3, -2, -1, 0, 1, 2, 3, 4, etcetera, with floors below the main entry floor designated with minus numbers. Numbers shall be permitted to be omitted, provided the remaining numbers are in sequence. Where a ~~telephone~~ keypad arrangement is used complying with Figure 707.5(A), the number key (“#”) shall be utilized to enter the minus symbol (“-”). A minus sign (-) on the lower right button is permitted instead of the number (#) sign. Ancillary letters shall be permitted to be used in conjunction with the numbers, provided the letters are located to the right of the numbers and not more than two letters are used for each floor designation. For access to special floors, such as floors with rear entrances, instructions shall be provided at the keypad or console.

407.4.7.1.2.1 In existing facilities where new elevators are installed or existing elevators are altered into a destination-oriented elevator system, floor designations shall conform to the following:







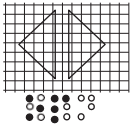
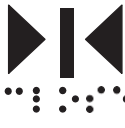


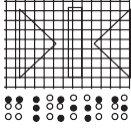



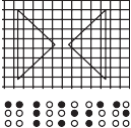



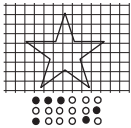



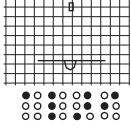



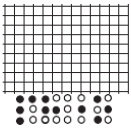



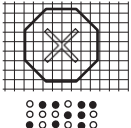
1. Levels within stories, such as mezzanines located above or below the main entry level shall be permitted to be designated with an alphanumeric character such as "M2", indicating "mezzanine" and the "story number", respectively, in which it is located, provided there is no duplication with alphanumeric designations of elevator cars in the facility. The entire word shall be used, when announced, for the floor description, e.g., “mezzanine” not “M”.
2. Non-successive floor numbering shall be permitted.

407.4.7.1.3 Location. Raised character and braille designations shall be placed immediately to the left of the control button to which the designations apply. Where a negative number is used to indicate a negative floor, the braille designation shall be a cell with the dots 3 and 6 followed by the ordinal number.

Exception: Where space on an existing car operating panel precludes raised characters and braille to the left of the control button, markings shall be placed as near to the control button as possible.

407.4.7.1.4 Symbols. The control button for the emergency stop, alarm, door open, door close, main entry floor, and phone, shall be identified with raised symbols and braille as shown in Table 407.4.7.1.4.

TABLE 407.4.7.1.4 -CONTROL BUTTON IDENTIFICATION

| Control Button Type | Raised Symbol | Braille Message | Proportions (Open circles indicate unused dots within each braille cell) |
|--|---|---|---|
| <p>3.0 mm TYP. BETWEEN ELEMENTS</p>  <p>DOOR OPEN</p> |  |  <p>op“en”</p> | <p>2.0 mm</p> |
|  <p>REAR/SIDE DOOR OPEN</p> |  |  <p>op“en”</p> |  |
|  <p>DOOR CLOSE</p> |  |  <p>close</p> |  |
|  <p>REAR/SIDE DOOR CLOSE</p> |  |  <p>close</p> |  |
|  <p>MAIN</p> |  |  <p>ma“in”</p> |  |
|  <p>ALARM</p> |  |  <p>al“ar”m</p> |  |
|  <p>PHONE</p> |  |  <p>ph“one”</p> |  |
|  <p>EMERGENCY STOP (WHEN PROVIDED) X on face of octagon is not required to be tactile</p> |  |  <p>“st”op</p> |  |

407.4.7.1.5 Visible indicators. Buttons with floor designations shall be provided with visible indicators to show that a call has been registered. The visible indication shall extinguish when the car arrives at the designated floor.

407.4.7.2 Keypads. Keypad keys shall be identified by visual characters complying with Section 703.2 centered on the corresponding keypad button. The number five key shall have a single raised dot. The dot shall have a base diameter of 0.118 inch (3 mm) minimum and 0.120 inch (3.05 mm) maximum, and a height of 0.025 inch (0.6 mm) minimum and 0.037 inch (0.9 mm) maximum. The dot shall be centrally located.

Note: No changes to remaining sections – 407.4.8 through 407.4.10.3.

REASON: Note: It is not the intent of NEII that any of the changes proposed here override other change proposals from NEII for Section 407. If this change and other changes are approved, the changes will need to be merged/coordinated for the final document.

General Rationale: The purpose of this proposal is to update ICC A117.1 to include additional requirements for destination-oriented elevator systems, including the use of “Touch Screens” and related features such as consoles and function buttons, along with verbal announcements. The following proposals are to harmonize with changes being finalized in ASME A17.1/CSA B44, Appendix E. The proposals were developed to ensure that systems currently designed for compliance with the destination-oriented elevator accessibility requirements in the California Building Code (CBC), would also comply with this code. Also included some editorial clean up to make format consistent with other sections of the standard.

Section 107 Rationale: Proposed revision to add definitions for the accessibility function button and hall call console used by destination-oriented elevator systems.

Section 407.2, 407.2.1, and 407.2.2 Rationale: The proposal restructures this section for inclusion of additional requirements for destination-oriented elevators. The proposal includes language to require that the accessibility function button and hall consoles be mounted within a specific reach range for easy access. Requirement 407.2.1.7 was relocated to 407.2.4.4 to group with other signals. Added a reference in 407.2.2 to the Figure showing the “standard telephone keypad arrangement.” Clarify that 407.2.1.2 applies to all buttons in the hall (call buttons, keypads, and hall call consoles). Current A117.1 requires all buttons including keypad buttons, accessibility button and any optional additional button(s) to be ¾ inch minimum smallest dimension.

Section 407.2.3 Rationale: The proposed revision adds requirements for hall consoles, touch screens, and display screens to harmonize with A17.1/B44 Appendix E. The proposed changes include a requirement that verbal announcements be provided when the accessibility function button is activated. The proposed changes also specify the arrangement for hall call consoles including keypad and touch screen arrangements and their locations, as well as the arrangement and identification of additional buttons and features of the hall call console. The hall call consoles must be able to interface with security systems. A provision is also provided to assign an adjacent car when the accessibility function button is used to select a floor.

Section 407.2.4 Rationale: The proposed revisions groups the hall signal requirements. It requires verbal announcements in the car when the car stops to answer the call and at the car entrance when the car arrives to answer the call. The requirements for volume characteristics are consistent with other announcements. Requirement 407.2.4.4 was relocated from 407.2.1.7 to group with other signals. The word “Accessibility” was added to clarify the purpose of the function button and “minimum” was added to clarify that the size for the symbol is a minimum. The language was revised to use the term “group” instead of “bank” to be consistent with common industry terminology.

Section 407.2.5 and 407.2.6 Rationale: The requirements are being renumbered as part of the overall reformatting. 407.2.5.2 was revised to provide identification of cars with an alphabetic identification, or alpha-numeric identification, if necessary.

Section 407.2.7.1 Rationale: The references are being revised to ensure that they align with the exceptions in 703.3 and 703.4 since elevators are exempted from 703.3.10 and 703.4.5 already and 703.3.11 does not apply to elevators (only door signs). Currently, A117.1 requires the use of the number (#) button to indicate minus (-). The California Building Code requires the use of the minus (-) symbol. This proposal is to permit either symbol to be used. Also added a requirement for instructions be provided to access special floors. In existing buildings, the convention for numbering of floors may already be established and should not need to be revised. Where special names such as “mezzanine” are used, the entire word should be announced, not just the first letter. Also provided an exception for buildings where a certain floor number is not to be used.

Section 407.2.7.2 Rationale: The proposed revision clarifies the position for the dot on the “5” key to align with changes to Appendix E. That change was made based on input from a committee member with limited vision who indicated that if the dot is not centered, it impairs quick location of the "5" key.

Committee Action: AS AM D
407.6.4 et al-BRINKMAN.doc

| | | |
|--|-----------------------------------|----------------------------------|
| Report for 04-19– 2021 | | |
| <i>Committee decision: AS/AM/D</i> | <i>Committee Vote at Meeting:</i> | <i>Committee Vote on Ballot:</i> |
| REPORT OF HEARING: | | |
| Modification (if any): | | |
| Committee Reason: | | |
| PUBLIC COMMENT- FIRST DRAFT: | | |
| Proponent: | | |
| Desired Action: | | |
| Modification: | | |
| Reason: | | |
| <i>Committee decision: AS/AM/D</i> | <i>Committee Vote at Meeting:</i> | <i>Committee Vote on Ballot:</i> |
| REPORT OF HEARING – FIRST DRAFT | | |
| Modification (if any): | | |
| Committee Reason: | | |
| PUBLIC COMMENT- SECOND DRAFT: | | |
| Proponent: | | |
| Desired Action: | | |
| Modification: | | |
| Reason: | | |
| <i>Committee decision: AS/AM/D</i> | <i>Committee Vote at Meeting:</i> | <i>Committee Vote on Ballot:</i> |
| FINAL ACTION: | | |
| Modification (if any): | | |
| Committee Reason: | | |

04-20 – 2021
407.2.1.1

Proponent: Kevin Brinkman representing National Elevator Industry, Inc. (NEII)

Revise as follows:

SECTION 407
ELEVATORS

407.2.1.1 Height. Call buttons and keypads shall be located ~~within one of the reach ranges specified in Section 308, measured to the centerline of the highest operable part vertically between 30 inches (760 mm) and 48 inches (1 220 mm) above the floor, measured to the centerline of the respective button.~~

Exception Exceptions:

1. Existing call buttons and existing keypads shall be permitted to be located 54 inches (1370 mm) maximum above the floor, measured to the centerline of the highest operable part.
2. Where additional call buttons, keypads or other means are provided, they shall be permitted to be located outside the specified reach range.

REASON: The proposed change would specify an upper and lower range rather than the more general reference to reach ranges and clarify that the all the buttons need to be within the range. This is similar the requirements in ASME A17.1/CSA B44, Appendix E. The additional exception allows alternate technologies, such as foot controls, in addition to the required controls. Figure 407.2.1.1 should either be deleted or be updated to accurately reflect the prescriptive requirement. *The minimum height was chosen to align with a more appropriate value for lower reach for a standing person and is still well above the lower reach for a person in a wheelchair (15 inches).*

Committee Action: AS AM D

407.2.1.1-BRINKMAN.doc

| | | |
|--|-----------------------------------|----------------------------------|
| Report for 04-20- 2021 | | |
| <i>Committee decision: AS/AM/D</i> | <i>Committee Vote at Meeting:</i> | <i>Committee Vote on Ballot:</i> |
| REPORT OF HEARING: | | |
| Modification (if any): | | |
| Committee Reason: | | |
| PUBLIC COMMENT- FIRST DRAFT: | | |
| Proponent: | | |
| Desired Action: | | |
| Modification: | | |
| Reason: | | |
| <i>Committee decision: AS/AM/D</i> | <i>Committee Vote at Meeting:</i> | <i>Committee Vote on Ballot:</i> |
| REPORT OF HEARING – FIRST DRAFT | | |
| Modification (if any): | | |
| Committee Reason: | | |
| PUBLIC COMMENT- SECOND DRAFT: | | |
| Proponent: | | |
| Desired Action: | | |

Report for 04-20- 2021

Modification:

Reason:

Committee decision: AS/AM/D**Committee Vote at Meeting:****Committee Vote on Ballot:****FINAL ACTION:**

Modification (if any):

Committee Reason:

04-21 – 2021
407.2.3.1

Proponent: Kevin Brinkman, representing National Elevator Industry, Inc. (NEII)

Revise as follows:

SECTION 407
ELEVATORS

407.2.3 Hoistway signs. Signs at elevator hoistways shall comply with Section 407.2.3.

407.2.3.1 Floor designation. Floor designations shall be provided in raised characters and braille complying with Sections 703.3 and 703.4. Raised characters shall be 2 inches (51 mm) minimum in height. Floor designations shall be located on both jambs of elevator hoistway entrances. A raised star, placed to the left of the floor designation, shall be provided on both jambs at the main entry level. The outside diameter of the star shall be 2 inches (51 mm) and all points shall be of equal length.

REASON: The proposed change would clarify the location for the star symbol and provide requirements for the size and shape of the symbol.

Committee Action: AS AM D

407.2.3-BRINKMAN.doc

| | | |
|--|-----------------------------------|----------------------------------|
| Report for 04-21– 2021 | | |
| <i>Committee decision: AS/AM/D</i> | <i>Committee Vote at Meeting:</i> | <i>Committee Vote on Ballot:</i> |
| REPORT OF HEARING: | | |
| Modification (if any): | | |
| Committee Reason: | | |
| PUBLIC COMMENT- FIRST DRAFT: | | |
| Proponent: | | |
| Desired Action: | | |
| Modification: | | |
| Reason: | | |
| <i>Committee decision: AS/AM/D</i> | <i>Committee Vote at Meeting:</i> | <i>Committee Vote on Ballot:</i> |
| REPORT OF HEARING – FIRST DRAFT | | |
| Modification (if any): | | |
| Committee Reason: | | |
| PUBLIC COMMENT- SECOND DRAFT: | | |
| Proponent: | | |
| Desired Action: | | |
| Modification: | | |
| Reason: | | |
| <i>Committee decision: AS/AM/D</i> | <i>Committee Vote at Meeting:</i> | <i>Committee Vote on Ballot:</i> |
| FINAL ACTION: | | |
| Modification (if any): | | |
| Committee Reason: | | |

04-22 – 2021
407.2.3.1

Proponent: Gene Boecker, Code Consultants, Inc.

Revise as follows:

SECTION 407
ELEVATORS

407.2.3 Hoistway signs. Signs at elevator hoistways shall comply with Section 407.2.3.

407.2.3.1 Floor designation. Floor designations shall be provided in raised characters and braille complying with Sections 703.3 and 703.4. Raised characters shall be 2 inches (51 mm) ~~minimum~~ in height. Floor designations shall be located on both jambs of elevator hoistway entrances. A raised star shall be provided on both jambs at the main entry level. The outside diameter of the star shall be 2 inches (51 mm) and all points shall be of equal length.

REASON: This has two changes focused on the same issue. The first is to delete the word “minimum” from the requirement. The height of the floor designation characters must be standardized. I have recently seen a proposal for floor numbers that were 5 inches in height. Most of the time, the characters are a standard 2-inch height but not always. This also make them the same size on every floor which would not be required if the work “minimum” was maintained.

The second is to make sure that the star stays a star, consistent with the image in Table 407.4.7.1.4. The current text only addresses height and results in many cases of having a star that is 2 inches high and 1 inch wide. The added sentence is borrowed from the California Building Code which amends that comparable section of the 2010 Standards in their adoption.

Committee Action: AS AM D

407.2.3.1-BOECKER.doc

| | | |
|--|-----------------------------------|----------------------------------|
| Report for 04-22– 2021 | | |
| <i>Committee decision: AS/AM/D</i> | <i>Committee Vote at Meeting:</i> | <i>Committee Vote on Ballot:</i> |
| REPORT OF HEARING: | | |
| Modification (if any): | | |
| Committee Reason: | | |
| PUBLIC COMMENT- FIRST DRAFT: | | |
| Proponent: | | |
| Desired Action: | | |
| Modification: | | |
| Reason: | | |
| <i>Committee decision: AS/AM/D</i> | <i>Committee Vote at Meeting:</i> | <i>Committee Vote on Ballot:</i> |
| REPORT OF HEARING – FIRST DRAFT | | |
| Modification (if any): | | |
| Committee Reason: | | |
| PUBLIC COMMENT- SECOND DRAFT: | | |
| Proponent: | | |
| Desired Action: | | |
| Modification: | | |
| Reason: | | |
| <i>Committee decision: AS/AM/D</i> | <i>Committee Vote at Meeting:</i> | <i>Committee Vote on Ballot:</i> |

Report for 04-22- 2021

FINAL ACTION:

Modification (if any):

Committee Reason:

04-23 – 2021

407.4.6.4, 407.4.6.4.1, 407.4.6.4.2

Proponent: Kevin Brinkman, National Elevator Industry, Inc. (NEII)

Revise as follows:

SECTION 407 ELEVATORS

407.4.6.4 Emergency controls. Emergency ~~controls~~ alarm or emergency stop, when provided, shall comply with Section 407.4.6.4.

407.4.6.4.1 Height. ~~Emergency control~~ The buttons shall have their centerlines ~~35~~ 30 inches (~~890~~ 760 mm) minimum above the floor.

407.4.6.4.2 Location. ~~Emergency control, including the emergency alarm,~~ The buttons shall be ~~grouped at the bottom of the panel~~ below the car call buttons in Section 407.4.6.2 or 407.4.7.1.

REASON: ASME A17.1/CSA B44 has deleted the requirement for emergency controls (previously emergency stop switch and emergency alarm); however, some local jurisdictions still require an emergency alarm button or emergency stop. This change clarifies that the location is to be below the car call buttons but not below some other fixture features such as a locked access panel to elevator personnel specific controls. The height was changed to align with a more appropriate value for lower reach for a standing person and is still well above the lower reach for a person in a wheelchair (15 inches). Moving the lower limit allows more room to fit the elevator floor selection buttons within the required reach range which will improve accessibility.

Committee Action: AS AM D

407.4.6.4-BRINKMAN.doc

| Report for 04-23– 2021 | | |
|--|-----------------------------------|----------------------------------|
| <i>Committee decision: AS/AM/D</i> | <i>Committee Vote at Meeting:</i> | <i>Committee Vote on Ballot:</i> |
| REPORT OF HEARING: | | |
| Modification (if any): | | |
| Committee Reason: | | |
| PUBLIC COMMENT- FIRST DRAFT: | | |
| Proponent: | | |
| Desired Action: | | |
| Modification: | | |
| Reason: | | |
| <i>Committee decision: AS/AM/D</i> | <i>Committee Vote at Meeting:</i> | <i>Committee Vote on Ballot:</i> |
| REPORT OF HEARING – FIRST DRAFT | | |
| Modification (if any): | | |
| Committee Reason: | | |
| PUBLIC COMMENT- SECOND DRAFT: | | |
| Proponent: | | |
| Desired Action: | | |
| Modification: | | |
| Reason: | | |
| <i>Committee decision: AS/AM/D</i> | <i>Committee Vote at Meeting:</i> | <i>Committee Vote on Ballot:</i> |

Report for 04-23- 2021

FINAL ACTION:

Modification (if any):

Committee Reason:

04-24 – 2021

407.4.7.1.1

Proponent: Marsha K. Mazz, representing United Spinal Association

Revise as follows:

SECTION 407 ELEVATORS

407.4.7.1 Buttons. Car control buttons shall comply with Section 407.4.7.1.

407.4.7.1.1 ~~Type~~ Control Identification. Control buttons shall be identified by raised characters and braille complying with Sections 703.3.1 through 703.3.9 and 703.4.1 through 703.4.4. Either the raised characters or identification provided on the face of the control buttons shall contrast visually with their background with either light characters on a dark background, or dark characters on a light background. Contrasting identification provided on control buttons shall not rely on internal illumination of the button.

REASON: People with usable low vision typically do not read tactilely. Often, such people complain about unreadable elevator car controls. We are proposing to omit the reference to Section 703.3.12 *Finish and Contrast* on raised characters. This subsection contains an exception that allows raised characters to not comply with the requirements for finish and contrast where separate visual characters with the same information are provided.

Although visual characters on signs would be required to comply with the provisions for finish and contrast, elevator car controls are not subject to the requirements for visual characters. Therefore, people with low vision are not afforded visual access to car control identification provided. This proposal would remedy that oversight and would allow two options for providing visual contrast. We deliberately did not propose to require compliance with Section 703.3.12 because that section contains provisions for a non-glare finish which might be difficult to achieve on a lighted car control button. The additional changes to the referenced sections align with the exceptions in 703.3 and 703.4 since elevators are exempted from 703.3.10 and 703.4.5 and 703.3.11 does not apply to elevators (only signs).

We also proposed a change to the section title because the word “type” fails to describe the subject of the requirement and the word is not used in the text.

Committee Action: AS AM D

407.4.7.1.1-MAZZ.doc

| | | |
|------------------------------------|-----------------------------------|----------------------------------|
| Report for 04-24– 2021 | | |
| <i>Committee decision: AS/AM/D</i> | <i>Committee Vote at Meeting:</i> | <i>Committee Vote on Ballot:</i> |
| REPORT OF HEARING: | | |
| Modification (if any): | | |
| Committee Reason: | | |
| PUBLIC COMMENT- FIRST DRAFT: | | |
| Proponent: | | |

| | | |
|--|-----------------------------------|----------------------------------|
| Report for 04-24- 2021 | | |
| Desired Action: | | |
| Modification: | | |
| Reason: | | |
| <i>Committee decision: AS/AM/D</i> | <i>Committee Vote at Meeting:</i> | <i>Committee Vote on Ballot:</i> |
| REPORT OF HEARING – FIRST DRAFT | | |
| Modification (if any): | | |
| Committee Reason: | | |
| PUBLIC COMMENT- SECOND DRAFT: | | |
| Proponent: | | |
| Desired Action: | | |
| Modification: | | |
| Reason: | | |
| <i>Committee decision: AS/AM/D</i> | <i>Committee Vote at Meeting:</i> | <i>Committee Vote on Ballot:</i> |
| FINAL ACTION: | | |
| Modification (if any): | | |
| Committee Reason: | | |

04-25 – 2021
407.4.7.1.2

Proponent: Gene Boecker, Code Consultants, Inc.

Revise as follows:

SECTION 407
ELEVATORS

407.4.7.1.2 Designation. Floors shall be designated . . . -4, -3, -2, -1, 0, 1, 2, 3, 4, etcetera, with floors below the main entry floor designated with minus numbers. Numbers shall be permitted to be omitted, provided the remaining numbers are in sequence. Where a telephone keypad arrangement is used, the number key (“#”) shall be utilized to enter the minus symbol (“-”). Ancillary letters shall be permitted to be used in conjunction with the numbers, provided the letters are located to the right of the numbers and not more than two letters are used for each floor designation. The font style for letters and number shall be consistent and the same as that used for hoistway markings complying with Section 407.2.3.1.

REASON: A key factor in any type of reading is anticipation and the reduction of conflicting messages. Therefore, the font style used should be consistent for use with the elevator. That way reading the tactile characters inside the car is not different from that of the hoistway markings.

Committee Action: AS AM D

407.4.7.1.2-BOECKER.doc

| | | |
|--|-----------------------------------|----------------------------------|
| Report for 04-25– 2021 | | |
| <i>Committee decision: AS/AM/D</i> | <i>Committee Vote at Meeting:</i> | <i>Committee Vote on Ballot:</i> |
| REPORT OF HEARING: | | |
| Modification (if any): | | |
| Committee Reason: | | |
| PUBLIC COMMENT- FIRST DRAFT: | | |
| Proponent: | | |
| Desired Action: | | |
| Modification: | | |
| Reason: | | |
| <i>Committee decision: AS/AM/D</i> | <i>Committee Vote at Meeting:</i> | <i>Committee Vote on Ballot:</i> |
| REPORT OF HEARING – FIRST DRAFT | | |
| Modification (if any): | | |
| Committee Reason: | | |
| PUBLIC COMMENT- SECOND DRAFT: | | |
| Proponent: | | |
| Desired Action: | | |
| Modification: | | |
| Reason: | | |
| <i>Committee decision: AS/AM/D</i> | <i>Committee Vote at Meeting:</i> | <i>Committee Vote on Ballot:</i> |
| FINAL ACTION: | | |
| Modification (if any): | | |
| Committee Reason: | | |

04-26 – 2021

106.2.5(New), 407.4.10

Proponent: Andrew CID, representing Barrier Free Solutions for the Deaf and Hard of Hearing LLC

Revise as follows:

SECTION 407 ELEVATORS

407.4.10 Emergency communications. Emergency live two-way communication systems between an elevator car and a point outside the hoistway shall comply with Section 407.4.10, International Building Code Section 3001.2 and ASME A17.1/CSA B44 listed in Section 106.2.8.

SECTION 106 REFERENCED DOCUMENTS

106.2.5 International Building Code. International Code Council (ICC) International Building Code-2024.

Staff Note: Code change G177-21 was approved as modified by public comment 1. 2024 IBC Section 3001.2 will reference ASME A17.1 for two way communication.

REASON: This proposal is being submitted as there is no standard published, as of this writing, under the a17.1 Standard on Accessible and Usable Buildings and Facilities in full and explicit support of the approved code under International Building Code Section 3001.2 regards to communication accessibility in elevators for the Deaf and Hard of Hearing community. Additionally, the current ASME a17.1 elevator revision as of 2019 provides only a slight reference in “2.27.1.1.3.d” and “2.27.1.1.4.e” regards to accessibility for the hearing impaired. (the a17.1 elevator language can and will be improved upon in the next a17.1 revision). The latest ASME a17.1 revision was a result of a task group collaboration and consensus, of which I was a contributing member of.

But for this a17.1 standard, my proposal is being submitted because the current section that needs to be amended does not provide any language to reflect the need for equal accessibility for the hearing impaired, which is the heart and intent of the current IBC code under 3001.2, which I proposed in 2018 and is effective 2021.

This proposed new standard a17.1 change seeks to provide equal accessibility for the approximately 50M Deaf and Hard of Hearing in the USA. This standard proposal also provides clarification for industry. Underlined wording is new and is added text to capture the intent of the proposal. This proposal clarifies as to what type of features and assistance is required and which shall be provided for the utilization of an available option of a visual and text-based live two-way communication system by an entrapped Deaf or Hard of Hearing passenger(s). The standard change proposal will neither increase or decrease the cost of construction as it is a

clarification of requirements and points to a new code reference for elevators. I proposed this (a117.1) in 2015 but was not successful at the time due to my own lack of research, code support, and adequate data. But now that IBC 3001.2 recognizes and references the need for equal communication access for all, coupled with the new ASME a17.1 elevator reference published as of 2019, I am now confident that the a117.1 standard committee will seriously consider approving this proposed standard for inclusion into the next revision to the benefit of almost 1/4 of the US populace. Lastly, there is no need for me to attach proof of media documentation to support the need for equal communication access for everyone with this proposal as we are all aware that there is an already obvious need for this standard in elevators. As stated, this is evidenced by the numerous news stories of people getting trapped / stuck or dying in malfunctioning elevators. The proposal speaks for itself. However, if any one requests proof of media coverage of such events, I will be happy to forward that as well.

Committee Action: AS AM D
407.4.10-ANDREW_CID.doc

| Report for 04-26- 2021 | | |
|--|-----------------------------------|----------------------------------|
| <i>Committee decision: AS/AM/D</i> | <i>Committee Vote at Meeting:</i> | <i>Committee Vote on Ballot:</i> |
| REPORT OF HEARING: | | |
| Modification (if any): | | |
| Committee Reason: | | |
| PUBLIC COMMENT- FIRST DRAFT: | | |
| Proponent: | | |
| Desired Action: | | |
| Modification: | | |
| Reason: | | |
| <i>Committee decision: AS/AM/D</i> | <i>Committee Vote at Meeting:</i> | <i>Committee Vote on Ballot:</i> |
| REPORT OF HEARING – FIRST DRAFT | | |
| Modification (if any): | | |
| Committee Reason: | | |
| PUBLIC COMMENT- SECOND DRAFT: | | |
| Proponent: | | |
| Desired Action: | | |
| Modification: | | |
| Reason: | | |
| <i>Committee decision: AS/AM/D</i> | <i>Committee Vote at Meeting:</i> | <i>Committee Vote on Ballot:</i> |
| FINAL ACTION: | | |
| Modification (if any): | | |
| Committee Reason: | | |

04-27 – 2021

407.4.10.1, 407.4.10.3, 407.4.10.4(New), 407.4.10.4.1(New), 407.4.10.4.2(New)

Proponent: Kevin Brinkman, National Elevator Industry, Inc. (NEII)

Revise as follows:

SECTION 407 ELEVATORS

407.4.10 Emergency communications. Emergency ~~two-way~~ communication systems between an elevator car and a point outside the hoistway shall comply with Section 407.4.10 and ASME A17.1/CSA B44 listed in Section 106.2.8.

407.4.10.1 Height. ~~The highest operable part of a two-way communication system shall comply with Section 308.~~ Operable parts of the communication system shall be located between 30 inches (760 mm) and 48 inches (1 220 mm) above the floor.

407.4.10.2 Identification. Raised characters and braille complying with Sections 703.3 and 703.4 and raised symbols complying with Section 407.4.7.1.4 shall be provided adjacent to the device.

407.4.10.3 Instructions. Where instructions for use are provided, essential ~~information~~ instructions shall be presented in visual form, raised characters and braille complying with Sections 703.2, 703.3 and 703.4.

407.4.10.4 Message Display Screen.

407.4.10.4.1 Visibility. The display screen shall be visible from a point located 40 inches (1015 mm) above the center of the clear floor space, 24 inches (610 mm) immediately in front of the car operating panel.

407.4.10.4.1 Characters. Characters displayed on the screen shall be in a conventional form. Characters shall not be italic, oblique, script, highly decorative or other unusual forms. The uppercase letter "I" shall be used to determine the allowable height of all characters of the font. The uppercase letter "I" of the font shall be 3/16 inch (4.8 mm) minimum in height. Characters shall contrast with their background with either light characters on a dark background, or dark characters on a light background.

REASON: The reference to Section 308 would require the operable parts to be located 48 inches maximum and 15 inches minimum above the floor. The lower limit of 15 inches was necessary for older elevators that used a traditional phone handset with a cord because a phone box needed to be located below the car operating panel. Modern phone systems use a single push button

which can be easily located in or near the car operating panel. The 30-inch dimension was chosen to allow the phone button to be located directly below the car operating panel.

ASME A17.1-2019/CSA B44:19 requires an in-car message display to be used by an elevator occupant who may not be able to communicate audibly to emergency personnel. The visibility of the display is to accommodate a wheelchair user through a standing adult, modeled after 707.7.1 for automatic teller machines and fare machines. The font style is the style required for general visual characters in section 703.2.3 and the font size is the size required for the displays used on automatic teller machines and fare machines in section 707.7.2.

The term “two-way” is removed from the requirement because it is included in the referenced requirements in ASME A17.1/CSA B44 and some communication components may not provide effective two-way communications between every passenger and every responder. Some passengers may only communicate verbally while others may only communicate visually therefore it is the collection of all communication components, audible and visual that provides the total communication functionality.

The word ‘information’ was changed to “instructions” to align with the title and contents of the requirement.

Committee Action: AS AM D

407.4.10-BRINKMAN.doc

| Report for 04-27– 2021 | | |
|--|-----------------------------------|----------------------------------|
| <i>Committee decision: AS/AM/D</i> | <i>Committee Vote at Meeting:</i> | <i>Committee Vote on Ballot:</i> |
| REPORT OF HEARING: | | |
| Modification (if any): | | |
| Committee Reason: | | |
| PUBLIC COMMENT- FIRST DRAFT: | | |
| Proponent: | | |
| Desired Action: | | |
| Modification: | | |
| Reason: | | |
| <i>Committee decision: AS/AM/D</i> | <i>Committee Vote at Meeting:</i> | <i>Committee Vote on Ballot:</i> |
| REPORT OF HEARING – FIRST DRAFT | | |
| Modification (if any): | | |
| Committee Reason: | | |
| PUBLIC COMMENT- SECOND DRAFT: | | |
| Proponent: | | |
| Desired Action: | | |
| Modification: | | |
| Reason: | | |
| <i>Committee decision: AS/AM/D</i> | <i>Committee Vote at Meeting:</i> | <i>Committee Vote on Ballot:</i> |
| FINAL ACTION: | | |
| Modification (if any): | | |
| Committee Reason: | | |

05-01 – 2021

502.1, 502.2, 502.3, 502.4, 502.4.2

Proponent: Gina Hilberry, Cohen Hilberry Architects, representing United Cerebral Palsy

Revise as follows:

SECTION 502 PARKING SPACES

502.1 General. Car, ~~and van,~~ RV and truck parking spaces in parking lots shall comply with Sections 502.2 through 502.8. Car and van parking spaces provided as part of on-street parking shall comply with Sections 502.9 and 502.10. Where an electrical vehicle charging station is provided at a parking space, it shall comply with Section 502.11.

502.2 Vehicle space size. Car parking spaces shall be 96 inches (2440 mm) minimum in width. Van parking spaces shall be 132 inches (3355 mm) minimum in width. Truck and RV parking spaces shall be 180 inches (4572 mm) minimum in width.

Exception: Where the adjacent access aisle is 96 inches (2440 mm) minimum in width, van parking spaces shall be 96 inches (2440 mm) minimum in width.

502.3 Vehicle space marking. Car, ~~and van,~~ RV and truck parking spaces shall be marked to define the width. Where parking spaces are marked with lines, the width measurements of parking spaces and adjacent access aisles shall be made from the centerline of the markings.

Exception: Where parking spaces or access aisles are not adjacent to another parking space or access aisle, measure- line defining the parking space or access aisle.

502.4 Access aisle. Car, ~~and van,~~ RV and truck parking spaces shall have an adjacent access aisle complying with Section 502.4.

502.4.1 Location. Access aisles shall adjoin an accessible route. Two parking spaces shall be permitted to share a common access aisle. Access aisles shall not overlap with the vehicular way. Parking spaces shall be permitted to have access aisles placed on either side of the car or van parking space. Van parking spaces that are angled shall have access aisles located on the passenger side of the parking space.

502.4.2 Width. Access aisles serving ~~car and van~~ parking spaces shall be 60 inches (1525 mm) minimum in width.

502.4.3 Length. Access aisles shall extend the full length of the parking spaces they serve.

502.4.4 Marking. Access aisles shall be marked so as to discourage parking in them. Where access aisles are marked with lines, the width measurements of access aisles and adjacent parking spaces shall be made from the centerline of the markings.

Exception: Where access aisles or parking spaces are not adjacent to another access aisle or parking space, measurements shall be permitted to include the full width of the line defining the access aisle or parking space.

502.5 Floor surfaces. Parking spaces and access aisles shall comply with Section 302 and have surface slopes not steeper than 1:48. Access aisles shall be at the same level as the parking spaces they serve.

502.6 Vertical clearance. A vertical clearance of 98 inches (2490 mm) minimum shall be provided at the following locations:

1. Parking spaces for vans.
2. The access aisles serving parking spaces for vans.
3. The vehicular routes serving parking spaces for vans.

A vertical clearance of 174 inches (4420 mm) minimum shall be provided at truck and RV parking.

502.7 Identification. Where parking spaces are required to be identified by signs, the signs shall include the International Symbol of Accessibility complying with Section 703.6.3.1. Signs identifying van parking spaces shall contain the designation “van accessible.” Signs shall be 60 inches (1525 mm) minimum above the floor of the parking space, measured to the bottom of the sign.

502.8 Relationship to accessible routes. Parking spaces and access aisles shall be designed so that cars and vans, when parked, do not obstruct the required clear width of adjacent accessible routes.

REASON: As scoping for truck and RV parking is added to Appendix A, minor language changes and some dimensional information is needed in Section 502. With the exception of the addition of dimensions suitable for large trucks and RVs, the language remains unchanged. The assumption is that (similar to car and van drivers), the truck or RV driver will adjust the position of the vehicle in the space as necessary to accommodate a lift on either side of the tractor/cab and that access aisles are not required on both sides.

Committee Action: AS AM D

502.1-HILBERRY.doc

| Report for 05-01– 2021 | | |
|--|-----------------------------------|----------------------------------|
| <i>Committee decision: AS/AM/D</i> | <i>Committee Vote at Meeting:</i> | <i>Committee Vote on Ballot:</i> |
| REPORT OF HEARING: | | |
| Modification (if any): | | |
| Committee Reason: | | |
| PUBLIC COMMENT- FIRST DRAFT: | | |
| Proponent: | | |
| Desired Action: | | |
| Modification: | | |
| Reason: | | |
| <i>Committee decision: AS/AM/D</i> | <i>Committee Vote at Meeting:</i> | <i>Committee Vote on Ballot:</i> |
| REPORT OF HEARING – FIRST DRAFT | | |
| Modification (if any): | | |
| Committee Reason: | | |
| PUBLIC COMMENT- SECOND DRAFT: | | |
| Proponent: | | |
| Desired Action: | | |
| Modification: | | |
| Reason: | | |
| <i>Committee decision: AS/AM/D</i> | <i>Committee Vote at Meeting:</i> | <i>Committee Vote on Ballot:</i> |
| FINAL ACTION: | | |
| Modification (if any): | | |
| Committee Reason: | | |

05-02 – 2021
502.1

Proponent: Gene Boecker, Code Consultants, Inc.

Revise as follows:

SECTION 502
PARKING SPACES

502.1 General. Car and van parking spaces in parking lots and parking garages shall comply with Sections 502.2 through 502.8. Car and van parking spaces provided as part of on-street parking shall comply with Sections 502.9 and 502.10. Where an electrical vehicle charging station is provided at a parking space, it shall comply with Section 502.11.

REASON: When, during the last cycle the language was changed to delineate between parking with the traditional angled or perpendicular spaces and the new provisions for parallel parking, the language for garages was inadvertently left out. What has happened is that a number of times it has come into question whether the parking provisions apply with garages or not. The added text clarifies the intent.

Committee Action: AS AM D

502.1-BOECKER.doc

| | | |
|--|-----------------------------------|----------------------------------|
| Report for 05-02– 2021 | | |
| <i>Committee decision: AS/AM/D</i> | <i>Committee Vote at Meeting:</i> | <i>Committee Vote on Ballot:</i> |
| REPORT OF HEARING: | | |
| Modification (if any): | | |
| Committee Reason: | | |
| PUBLIC COMMENT- FIRST DRAFT: | | |
| Proponent: | | |
| Desired Action: | | |
| Modification: | | |
| Reason: | | |
| <i>Committee decision: AS/AM/D</i> | <i>Committee Vote at Meeting:</i> | <i>Committee Vote on Ballot:</i> |
| REPORT OF HEARING – FIRST DRAFT | | |
| Modification (if any): | | |
| Committee Reason: | | |
| PUBLIC COMMENT- SECOND DRAFT: | | |
| Proponent: | | |
| Desired Action: | | |
| Modification: | | |
| Reason: | | |
| <i>Committee decision: AS/AM/D</i> | <i>Committee Vote at Meeting:</i> | <i>Committee Vote on Ballot:</i> |
| FINAL ACTION: | | |
| Modification (if any): | | |
| Committee Reason: | | |

05-03 – 2021
502.2

Proponent: Gina Hilberry, Cohen Hilberry Architects, representing United Cerebral Palsy

Revise text as follows:

SECTION 502
PARKING SPACES

502.2 Vehicle space size. Car parking spaces shall be 96 inches (2440 mm) minimum in width. Van parking spaces shall be 132 inches (3355 mm) minimum in width.

Exceptions:

1. Where the adjacent access aisle is 96 inches (2440 mm) minimum in width, van parking spaces shall be 96 inches (2440 mm) minimum in width.
2. Where the vehicle space and access aisle that serve an Accessible, Type A or Type B unit is in a garage and enclosed by walls located at the sides of the space and aisle, the width of the combined vehicle space and access aisle shall be 170 inches (4318 mm). The garage door shall be at least 120 inches (3048 mm) wide. The vehicle space and access aisle are not required to have marking or signage.

REASON: This parking type is not addressed in the standard. The walls enclosing the parking space obstruct movement around the car and can make transfers difficult if the space is held at 13 feet in width. The Supplemental FAQ for the HUD Guidelines clarified the requirement that these spaces be 14 feet 2 inches wide inside and the door must be 10 feet wide (Questions and Answers about the Fair Housing Accessibility Guidelines 24 CR Ch. I, June 28, 1994, Item 14 Parking Spaces and Garages, (d)).

Committee Action: AS AM D

502.2-HILBERRY.doc

| Report for 05-03– 2021 | | |
|--|-----------------------------------|----------------------------------|
| <i>Committee decision: AS/AM/D</i> | <i>Committee Vote at Meeting:</i> | <i>Committee Vote on Ballot:</i> |
| REPORT OF HEARING: | | |
| Modification (if any): | | |
| Committee Reason: | | |
| PUBLIC COMMENT- FIRST DRAFT: | | |
| Proponent: | | |
| Desired Action: | | |
| Modification: | | |
| Reason: | | |
| <i>Committee decision: AS/AM/D</i> | <i>Committee Vote at Meeting:</i> | <i>Committee Vote on Ballot:</i> |
| REPORT OF HEARING – FIRST DRAFT | | |
| Modification (if any): | | |
| Committee Reason: | | |
| PUBLIC COMMENT- SECOND DRAFT: | | |
| Proponent: | | |
| Desired Action: | | |
| Modification: | | |
| Reason: | | |
| <i>Committee decision: AS/AM/D</i> | <i>Committee Vote at Meeting:</i> | <i>Committee Vote on Ballot:</i> |
| FINAL ACTION: | | |

| |
|-------------------------------|
| Report for 05-03- 2021 |
| Modification (if any): |
| Committee Reason: |

05-04 – 2021
502.7

Proponent: Marsha Mazz, representing United Spinal Association

Revise as follows:

SECTION 502
PARKING SPACES

502.7 Identification. Where parking spaces are required to be identified by signs, the signs shall include the International Symbol of Accessibility complying with Section 703.6.3.1. Signs identifying van parking spaces shall contain the designation “van accessible.” Signs shall be 60 inches (1525 mm) minimum above the floor of the parking space, measured to the bottom of the lowest sign.

REASON: Where there are two signs, such as one sign indicating that the space is reserved and another indication that the space is van accessible, some people will measure to the higher of the two signs, instead of the lower.

Committee Action: AS AM D

502.7-MAZZ.doc

| | | |
|--|-----------------------------------|----------------------------------|
| Report for 05-04– 2021 | | |
| <i>Committee decision: AS/AM/D</i> | <i>Committee Vote at Meeting:</i> | <i>Committee Vote on Ballot:</i> |
| REPORT OF HEARING: | | |
| Modification (if any): | | |
| Committee Reason: | | |
| PUBLIC COMMENT- FIRST DRAFT: | | |
| Proponent: | | |
| Desired Action: | | |
| Modification: | | |
| Reason: | | |
| <i>Committee decision: AS/AM/D</i> | <i>Committee Vote at Meeting:</i> | <i>Committee Vote on Ballot:</i> |
| REPORT OF HEARING – FIRST DRAFT | | |
| Modification (if any): | | |
| Committee Reason: | | |
| PUBLIC COMMENT- SECOND DRAFT: | | |
| Proponent: | | |
| Desired Action: | | |
| Modification: | | |
| Reason: | | |
| <i>Committee decision: AS/AM/D</i> | <i>Committee Vote at Meeting:</i> | <i>Committee Vote on Ballot:</i> |
| FINAL ACTION: | | |
| Modification (if any): | | |
| Committee Reason: | | |

05-05 – 2021

502.9, 502.9.1, 502.9.1.1, 502.9.1.2, 502.9.2

Proponent: Marsha Mazz, representing United Spinal Association

Revise as follows:

SECTION 502 PARKING SPACES

502.9 Parallel parking spaces. On-street parallel parking spaces located in the public right-of-way shall comply with Section 502.9.1. On-street perpendicular or angled parking spaces shall comply with Section 502.9.2.

502.9.1 Wide sidewalks. Where the width of the adjacent sidewalk or available right-of-way exceeds 14 feet (4265 mm), an access aisle 60 inches (1525 mm) wide minimum shall be provided at street level the full length of the parking space and shall connect to ~~a pedestrian access route~~ an accessible route. The access aisle shall comply with Section 502.4 and shall not encroach on vehicular travel lanes.

502.9.1.1 Alterations. In alterations where the street or sidewalk within the public right-of-way and adjacent to the parking spaces is not altered, an access aisle shall not be required provided the parking spaces are located at the end of the block face.

502.9.1.2 Narrow sidewalks. An access aisle is not required where the width of ~~the adjacent sidewalk or~~ the available right-of-way is less than or equal to 14 feet (4265 mm). Where an access aisle is not provided, the parking spaces shall be located at the end of the block face.

502.9.2 Perpendicular or angled parking spaces. Where perpendicular or angled parking is provided, an access aisle 96 inches (2440 mm) wide minimum shall be provided at street level the full length of the parking space and shall connect to ~~a pedestrian access route~~ an accessible route. The access aisle shall comply with Section 502.4 and shall be marked so as to discourage parking in the access aisle. Two parking spaces are permitted to share a common access aisle.

REASON: This proposal addresses the fact that the criteria for on-street parking is taken from the Access Board's proposed Public Rights-of-Way Accessibility Guidelines published in March 2011 and supplemented in February, 2013. **This is not a final rule. It is subject to change by the Access Board prior to being finalized. Also, before it can become ADA Standards, it must be again proposed for adoption as enforceable ADA Standards by the Departments of Justice and Transportation.** Given the time since the proposed rule was published, there also is a chance that the rule will not be finalized in the near future – particularly if the government's administrative procedures require republication of the proposed rule by the Access Board – starting the whole process over again.

While further change by the federal government presents an obvious problem, incorporation of the proposed rule into the ICC A117.1 presents other challenges to harmonization with current ADA requirements.

First, several courts have found that only the enforceable DOJ regulations (i.e., the 2010 ADA Standards) apply to work in the public right-of-way. (See *Kirola v. City and County of San Francisco*, No. 14-17521 (9th Cir. 2017) at <https://law.justia.com/cases/federal/appellate-courts/ca9/14-17521/14-17521-2017-06-22.html>). This means that where these criteria fall below the requirements of the 2010 ADA Standards, their use puts the designer at risk of a lawsuit or other adverse action. The current A117.1 requirement falls below the enforceable ADA criteria in 3 significant ways:

1. The provision permits omission of the access aisle required by Section 502.3 of the 2010 ADA Standards under certain conditions (alterations and narrow sidewalks).
2. The provision requires connection to a “pedestrian access route” instead of an “accessible route”, violating the 2010 ADA Standards Section 502.3.
3. The provision allows use of the criteria developed by the Access Board to apply *only in the public right-of-way* to apply on a roadway within a site. Therefore, a designer can opt to locate required access parking on the roadway (provided this location is closer than the parking lot) and, in alterations or where the sidewalk is narrow, an access aisle would not be required. Additionally, the designer would be required to connect the space to a “pedestrian accessible route” instead of an accessible route.

One further complication: the ICC A117.1 does not have technical requirements or define the term “pedestrian access route” (PAR). Under the Access Board’s proposed rule, a PAR differs from an accessible route, most notably in that its slope is measured from the adjacent roadway and, not from sea level.

We believe these criteria were included in the standard prematurely and, if the changes suggested above do not meet with approval or raise other questions, we would agree to a modification of this proposal to delete this section in its entirety, particularly as we are aware that the ICC A117.1 is rarely referenced by the authorities controlling work in public rights-of-way.

Committee Action: AS AM D

502.9-MAZZ.doc

| | | |
|--|-----------------------------------|----------------------------------|
| Report for 05-05– 2021 | | |
| Committee decision: AS/AM/D | Committee Vote at Meeting: | Committee Vote on Ballot: |
| REPORT OF HEARING: | | |
| Modification (if any): | | |
| Committee Reason: | | |
| PUBLIC COMMENT- FIRST DRAFT: | | |
| Proponent: | | |
| Desired Action: | | |
| Modification: | | |
| Reason: | | |
| Committee decision: AS/AM/D | Committee Vote at Meeting: | Committee Vote on Ballot: |
| REPORT OF HEARING – FIRST DRAFT | | |
| Modification (if any): | | |
| Committee Reason: | | |
| PUBLIC COMMENT- SECOND DRAFT: | | |
| Proponent: | | |
| Desired Action: | | |
| Modification: | | |
| Reason: | | |
| Committee decision: AS/AM/D | Committee Vote at Meeting: | Committee Vote on Ballot: |
| FINAL ACTION: | | |
| Modification (if any): | | |
| Committee Reason: | | |

05-06 – 2021

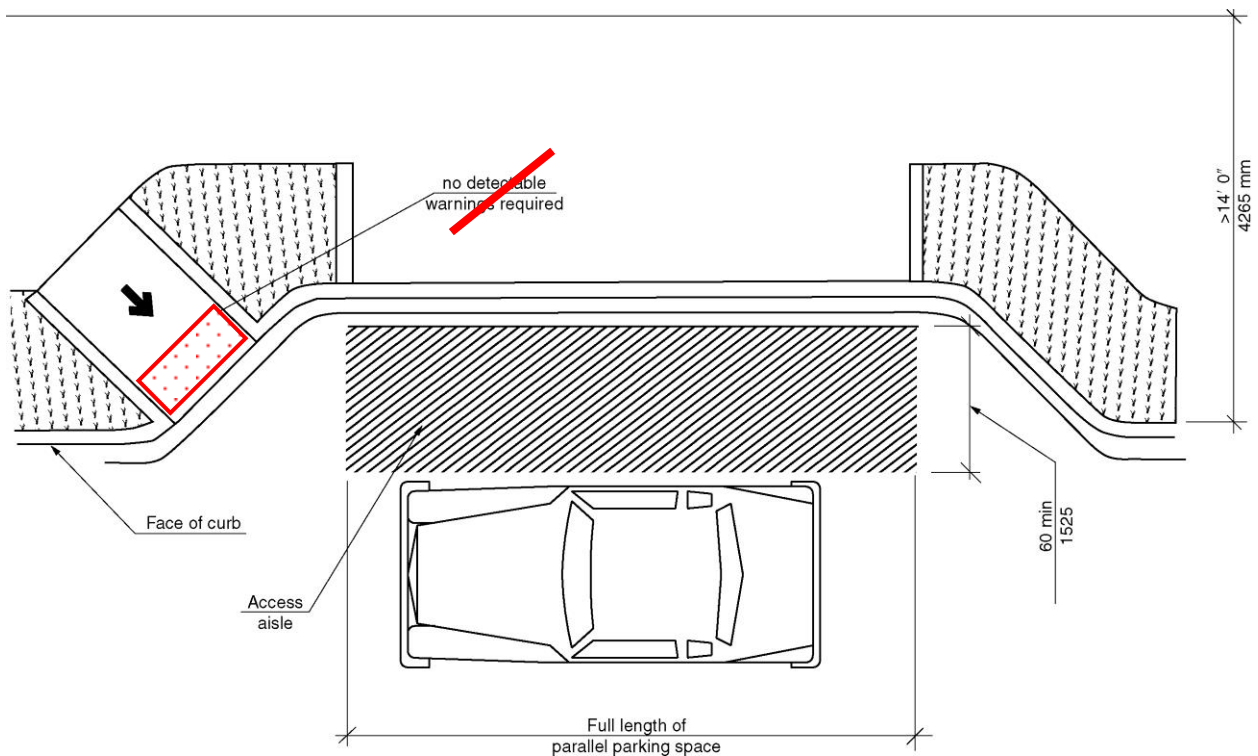
Figures 502.9.1 and 502.9.2

Proponent: Billie Louise (Beezy) Bentzen, PhD., Accessible Design for the Blind, representing Association for the Education and Rehabilitation of the Blind and Visually Impaired (AER)

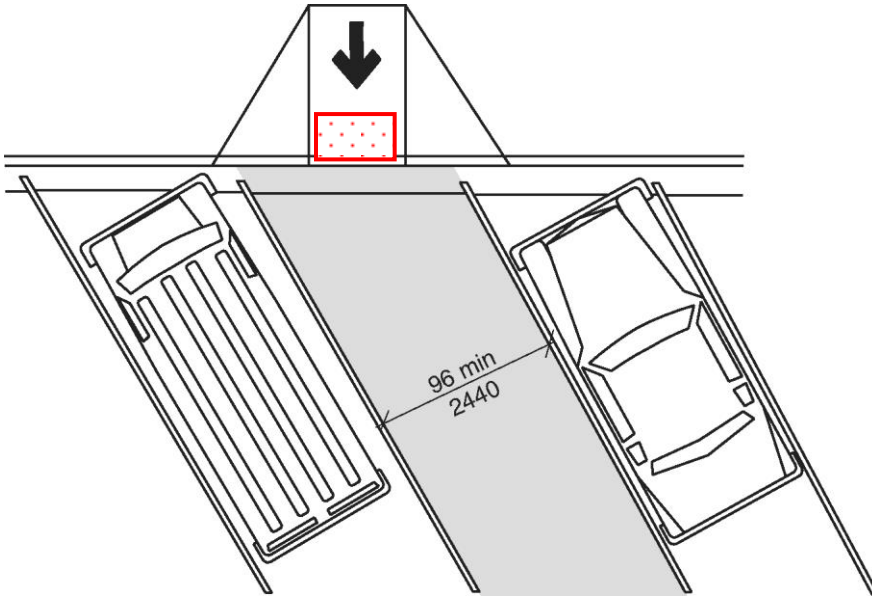
Revise as follows:

**SECTION 502
PARKING SPACES**

Note: The curb ramp in this figure should show detectable warnings.



**FIGURE 502.9.1
WIDE SIDEWALKS**



**FIGURE 502.9.2
PERPENDICULAR OR ANGLED PARKING SPACE**

REASON: Curb ramps are not complete without detectable warnings. While there is a section showing detectable warnings on curb ramps in some detail, they should not be omitted here. It implies that they are not required. Wherever curb ramps are depicted, unless they are not required to have detectable warnings, as in Figure 502.9.1, the detectable warning should be included. Figure 502.9.1.2 correctly includes the detectable warning, even though it is in Section 502 Parking Spaces.

Committee Action: AS AM D

Figure 502.9.2-BENTZEN.doc

| | | |
|--|-----------------------------------|----------------------------------|
| Report for 05-06- 2021 | | |
| <i>Committee decision: AS/AM/D</i> | <i>Committee Vote at Meeting:</i> | <i>Committee Vote on Ballot:</i> |
| REPORT OF HEARING: | | |
| Modification (if any): | | |
| Committee Reason: | | |
| PUBLIC COMMENT- FIRST DRAFT: | | |
| Proponent: | | |
| Desired Action: | | |
| Modification: | | |
| Reason: | | |
| <i>Committee decision: AS/AM/D</i> | <i>Committee Vote at Meeting:</i> | <i>Committee Vote on Ballot:</i> |
| REPORT OF HEARING – FIRST DRAFT | | |
| Modification (if any): | | |
| Committee Reason: | | |
| PUBLIC COMMENT- SECOND DRAFT: | | |
| Proponent: | | |
| Desired Action: | | |
| Modification: | | |
| Reason: | | |
| <i>Committee decision: AS/AM/D</i> | <i>Committee Vote at Meeting:</i> | <i>Committee Vote on Ballot:</i> |
| FINAL ACTION: | | |
| Modification (if any): | | |
| Committee Reason: | | |

05-07 – 2021

502.1, 502.11, 502.11.1, 502.11.2, 503(New), 503.1.4 (New)

Proponent: Kimberly Paarlberg, International Code Council

Add text as follows:

**SECTION 502
PARKING SPACES**

502.1 General. Car and van parking spaces in parking lots shall comply with Sections 502.2 through 502.8. Car and van parking spaces provided as part of on-street parking shall comply with Sections 502.9 and 502.10. ~~Where an electrical vehicle charging station is provided at a parking space, it shall comply with Section 502.11.~~

**SECTION 503
ELECTRICAL VEHICL CHARGING STATIONS**

503.1 ~~502.11~~ Electrical vehicle charging stations. Where an An electrical vehicle charging station serving a parking space an accessible vehicle space, that electrical vehicle charging station shall comply with Section 502.11 Sections 503.1.1 through 503.1.3. The accessible vehicle space shall comply with Section 503.1.4.

503.1.1 ~~502.11.1~~ Operable parts. Operable parts on the charging station intended for operation by the user, including card readers, shall comply with Section 309.

503.1.2 ~~502.11.2~~ Accessible route. An accessible route shall be provided from the access aisle adjacent to the parking space to the clear floor space complying with Section 502.11.1 adjacent to the vehicle charging station. When the vehicle is being charged, the accessible route shall not be obstructed by the cable between the car and charging station.

503.1.3 ~~502.11.3~~ Obstructions. Protection bollards, curbs or wheel stops shall be located so that they do not obstruct the clear floor space required by Section 502.11.1 or the accessible route required by Section 502.11.2.

503.1.4 Vehicle space size. Accessible vehicle spaces at electrical vehicle charging stations shall comply with the van space requirements in Sections 502.2 through 502.6 .

REASON: The 2021 IBC includes provisions for electrical vehicle charging stations, however, they are not indicated as a parking spaces, but as a service. Therefore, this proposal moves the provisions in ICC A117.1 for electrical vehicle charging stations into it's own section and out from within parking spaces consistency.

The IBC proposal, G121-18 was submitted by Dawn Anderson, Dan Buuck, David Collins, Marsha Mazz, and Dominic Marinelli. It is my understanding that this is based on the requirements currently being used in California. The 2021 IBC text follows this reason. While IBC Section 1107.2.2 does say the space should be sized as an van space, it does not provide the level of detail for marking, length, floor surface and vertical clearance that is found in the ICC A117.1. Since this is technical criteria, I am proposing to include this in the ICC A117.1 as a new Section 503.1.4 with the added criteria.

The current requirement in IBC do not require a sign making these electrical vehicle charging stations to be reserved, so I am not including Section 502.7.

**SECTION 1107
MOTOR VEHICLE RELATED FACILITIES**

1107.1 General. *Electrical vehicle charging stations* shall comply with Section 1107.2. Fuel-dispensing systems shall comply with Section 1107.3.

1107.2 Electrical vehicle charging stations. *Electrical vehicle charging stations* shall comply with Sections 1107.2.1 and 1107.2.2.

Exception: *Electrical vehicle charging stations* provided to serve Groups R-2, R-3 and R-4 occupancies are not required to comply with this section.

1107.2.1 Number of accessible vehicle spaces. Not less than 5% of vehicle spaces on the site served by electrical vehicle charging systems but, not fewer than one for each type of electric vehicle charging system shall be accessible.

1107.2.2 Vehicle space size. Accessible vehicle spaces shall comply with the requirements for a van accessible parking space that is 132 inches (3350 mm) minimum in width with an adjoining access aisle that is 60 inches (1525 mm) minimum in width.

1107.3 Fuel-dispensing systems. Fuel-dispensing systems shall be *accessible*.

Committee Action: AS AM D

504.6-PAARLBERG.doc

| | | |
|-------------------------------------|-----------------------------------|----------------------------------|
| Report for 05-07- 2021 | | |
| <i>Committee decision: AS/AM/D</i> | <i>Committee Vote at Meeting:</i> | <i>Committee Vote on Ballot:</i> |
| REPORT OF HEARING: | | |
| Modification (if any): | | |
| Committee Reason: | | |
| PUBLIC COMMENT- FIRST DRAFT: | | |
| Proponent: | | |
| Desired Action: | | |
| Modification: | | |

| | | |
|--|-----------------------------------|----------------------------------|
| Report for 05-07- 2021 | | |
| Reason: | | |
| Committee decision: AS/AM/D | Committee Vote at Meeting: | Committee Vote on Ballot: |
| REPORT OF HEARING – FIRST DRAFT | | |
| Modification (if any): | | |
| Committee Reason: | | |
| PUBLIC COMMENT- SECOND DRAFT: | | |
| Proponent: | | |
| Desired Action: | | |
| Modification: | | |
| Reason: | | |
| Committee decision: AS/AM/D | Committee Vote at Meeting: | Committee Vote on Ballot: |
| FINAL ACTION: | | |
| Modification (if any): | | |
| Committee Reason: | | |

05-08 – 2021

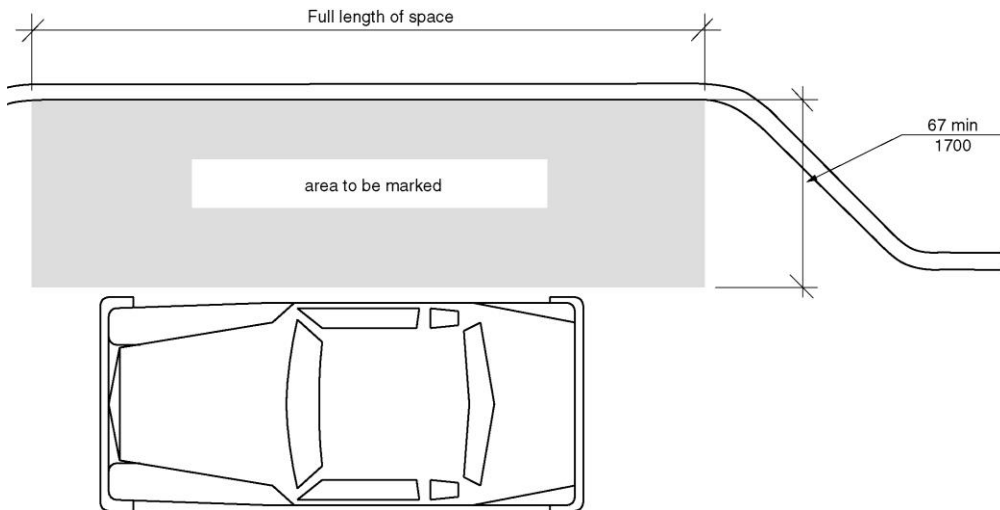
Figure 503.3(A) and 503.3(B)

Proponent: Edward Steinfeld, IDEA Center, University at Buffalo, representing RESNA

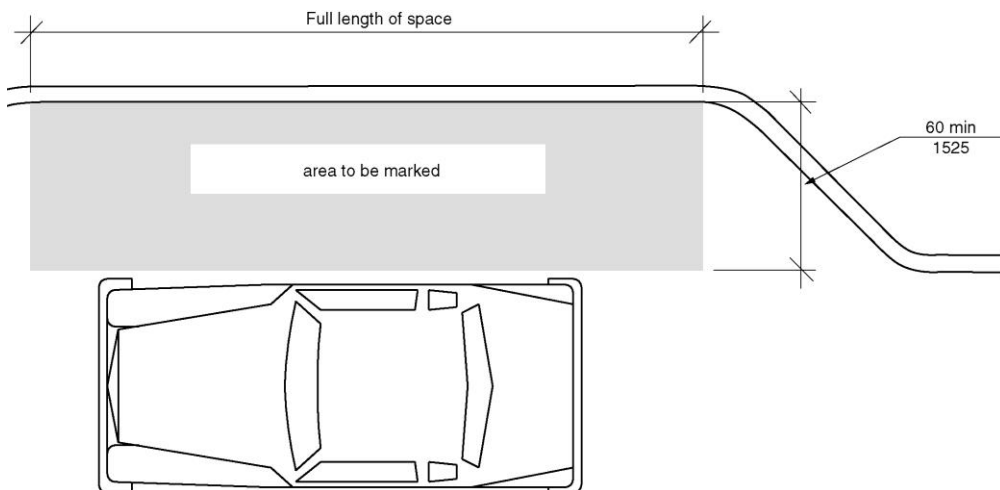
Revise as follows:

**SECTION 503
PASSENGER LOADING ZONES**

Note: Add curb ramps



**FIGURE 503.3(A)
PASSENGER LOADING ZONE ACCESS AISLE - NEW BUILDINGS**



**FIGURE 503.3(B)
PASSENGER LOADING ZONE ACCESS AISLE - EXISTING BUILDINGS**

REASON: These figures are missing curb ramps which is misleading because it implies they are not needed or can be provided away from the access aisle.

Committee Action: AS AM D
FIGURE 503.3-STEINFELD.doc

| | | |
|--|-----------------------------------|----------------------------------|
| Report for 05-08- 2021 | | |
| <i>Committee decision: AS/AM/D</i> | <i>Committee Vote at Meeting:</i> | <i>Committee Vote on Ballot:</i> |
| REPORT OF HEARING: | | |
| Modification (if any): | | |
| Committee Reason: | | |
| PUBLIC COMMENT- FIRST DRAFT: | | |
| Proponent: | | |
| Desired Action: | | |
| Modification: | | |
| Reason: | | |
| <i>Committee decision: AS/AM/D</i> | <i>Committee Vote at Meeting:</i> | <i>Committee Vote on Ballot:</i> |
| REPORT OF HEARING – FIRST DRAFT | | |
| Modification (if any): | | |
| Committee Reason: | | |
| PUBLIC COMMENT- SECOND DRAFT: | | |
| Proponent: | | |
| Desired Action: | | |
| Modification: | | |
| Reason: | | |
| <i>Committee decision: AS/AM/D</i> | <i>Committee Vote at Meeting:</i> | <i>Committee Vote on Ballot:</i> |
| FINAL ACTION: | | |
| Modification (if any): | | |
| Committee Reason: | | |

05-09 – 2021

106.2.5(New), 504 (All)

Proponent: Kimberly Paarlberg, International Code Council

Revise text as follows:

**SECTION 504
STAIRWAYS**

504.1 General. Accessible stairs shall comply with Section 504.

504.2 Stairway width. The minimum stairway width shall comply with Section 1011.2 of the International Building Code.

504.3 Stairway landings. Stairway landings shall comply with Section 1011.6 of the International Building Code.

504.4 Headroom. The headroom clearance along the stairway shall be in accordance with Section 1011.3 of the International Building Code.

504.5 504.2 Treads and risers. All steps on a flight of stairs shall have uniform riser height and uniform tread depth. Risers shall be 4 inches (100 mm) minimum and 7 inches (180 mm) maximum in height. Treads shall be 11 inches (280 mm) minimum in depth.

504.6 504.3 Open risers. Open risers shall not be permitted.

504.7 504.4 Tread surface. Stair treads shall comply with Section 302 and shall have a slope not steeper than 1:48.

504.7 Dimensional uniformity. The stair tread and risers shall be of uniform size and shape. The tolerances between largest and smallest shall be in accordance with Section 1011.5.4 and 1011.5.4.1 of the International Building Code.

504.8 504.5 Nosings. Nosings shall comply with the following:

1. Nosings within a stairway shall be uniform.
2. If rounded, the radius of curvature at the leading edge of the tread shall be $\frac{1}{2}$ inch (13 mm) maximum.
3. If beveled, the bevel at the leading edge shall slope at 45 degrees to the plane of the top surface of the tread and landing and extend for a horizontal distance of $\frac{1}{2}$ inch (13 mm) maximum.
4. Nosings that project beyond risers shall have the underside of the leading edge curved or beveled.
5. Risers shall be permitted to slope under the tread at an angle of 30 degrees maximum from vertical.

6. The permitted projection of the nosing shall be 1¹/₂ inches (38 mm) maximum over the tread or floor below.

504.9 504.6 Visual contrast. Visual contrast shall comply with either 1 or 2:

1. The leading 1 to 2 inches (25 to 51 mm) of every tread and landing, measured horizontally from the leading edge of the nosing, shall consist of a solid color having visual contrast of dark-on-light or light-on-dark from the remainder of the tread. The contrasting marking shall be durable and shall extend from one side of each tread to the other side of each tread.
2. Durable distinctive warning markings required by the adopted building code or ANSI safety standard.

504.10 504.7 Handrails. Stairs shall have handrails complying with Section 505.

504.11 504.8 Wet conditions. Stair treads and landings subject to wet conditions shall be designed to prevent the accumulation of water.

504.12 Curved stairways. Curved stairways shall comply with Section 1011.9 of the International Building Code.

504.13 Spiral stairways. Spiral stairways shall comply with Section 1011.9 of the International Building Code.

504.14 504.9 Lighting. Lighting for interior stairways shall comply with Section 504.9.

504.14.1 504.9.1 Illumination level. Lighting facilities shall be capable of providing illuminance of stairs measured at the center of tread surfaces and on landing surfaces within 24 inches (610 mm) of step nosings as follows:

1. A 1-foot-candle (10.8 lux) minimum illumination at times other than conditions of stair use
2. A 10-foot-candle (108 lux) minimum illumination during conditions of stair use
3. The transition from 1 foot candle (10.8 lux) to 10 foot candle (108 lux) under conditions of stair use shall be permitted to be achieved by automatic, motion sensor-type lighting switches provided the switch controllers comply with all of the following:
 - 3.1 The switch controllers are equipped for fail-safe operation and evaluated for this purpose
 - 3.2 The motion sensor is activated by occupant movement on the stair or stair landings
 - 3.3 The illumination timers are set for a minimum 15-minute duration.

504.14.2 504.9.2 Lighting controls. If provided, occupancy-sensing automatic controls shall activate the stairway lighting so the illuminance level required by Section 504.9.1 is provided on the entrance landing, each stair flight adjacent to the entrance landing, and on the landings above and below the entrance landing prior to any step being used.

504.15 504.10 Tactile signage within the stairway enclosure. Stair level identification signs in raised characters and braille complying with Sections 703.3 and 703.4 shall be located at each floor level landing in all enclosed stairways connecting more than three stories. Such sign shall be located adjacent to the door leading from the stairwell into the corridor to identify the floor level. The exit door discharging to the outside or to the level of exit discharge shall have a sign with raised characters and braille stating “EXIT.”

504.11 Tactile signage at exits. A sign stating EXIT in raised characters and Braille and complying with Sections 703.3 and 703.4 shall be provided adjacent to each door to an area of refuge providing direct access to a stairway, an exterior area for assisted rescue, an exit stairway, an exit ramp, an exit passageway and the exit discharge.

**SECTION 106
REFERENCED DOCUMENTS**

106.2.5 International Building Code. International Code Council (ICC) International Building Code-2024.

REASON: The IBC contains provisions for stairways that deal with the use of stairways by person with mobility and vision impairments that are not currently in the ICC A117.1. While the IBC does not scope the ICC A117.1 for stairways the A117.1 committee has stated that they would like this standard to be adoptable by any code. I am not proposing adding the text to the ICC A117.1 because I do not want conflicts over time.

Proposed Section 504.2 and 504.3 provide criteria for minimum widths to allow for safe evacuation, but also address the width needed for the use of evacuation chairs and fire department carries during emergencies. Proposed 504.4 has minimum headroom, which is consistent with protruding object criteria. Proposed 504.7 for dimensional uniformity is an important factor for reducing falls since a stairway studies have shown your gait is established in just two steps – this is especially important for persons with stability or balance issues. Proposed Section 504.12 and 504.13 address two types of stairways, curved and spiral, that are extremely common in buildings. The IBC includes important tread and riser information that is not in the ICC A117.1.

The change to proposed 504.15 is addressing a current conflict with the IBC. Stairway information signage is only required where the interior exit stairway connect more than three stories.

Committee Action: AS AM D

504.6-PAARLBERG.doc

| | | |
|-------------------------------------|-----------------------------------|----------------------------------|
| Report for 05-09- 2021 | | |
| <i>Committee decision: AS/AM/D</i> | <i>Committee Vote at Meeting:</i> | <i>Committee Vote on Ballot:</i> |
| REPORT OF HEARING: | | |
| Modification (if any): | | |
| Committee Reason: | | |
| PUBLIC COMMENT- FIRST DRAFT: | | |
| Proponent: | | |
| Desired Action: | | |

| | | |
|--|-----------------------------------|----------------------------------|
| Report for 05-09– 2021 | | |
| Modification: | | |
| Reason: | | |
| Committee decision: AS/AM/D | Committee Vote at Meeting: | Committee Vote on Ballot: |
| REPORT OF HEARING – FIRST DRAFT | | |
| Modification (if any): | | |
| Committee Reason: | | |
| PUBLIC COMMENT- SECOND DRAFT: | | |
| Proponent: | | |
| Desired Action: | | |
| Modification: | | |
| Reason: | | |
| Committee decision: AS/AM/D | Committee Vote at Meeting: | Committee Vote on Ballot: |
| FINAL ACTION: | | |
| Modification (if any): | | |
| Committee Reason: | | |

05-10 – 2021

504.6

Proponent: Billie Louise (Beezy) Bentzen, PhD., Accessible Design for the Blind, representing Association for the Education and Rehabilitation of the Blind and Visually Impaired (AER)

Revise as follows:

SECTION 504 STAIRWAYS

504.6 Visual contrast. Visual contrast shall comply with either 1 or 2:

1. The leading 1 to 2 inches (25 to 51 mm) of every tread and landing, measured horizontally from the leading edge of the nosing, shall consist of a solid color having visual contrast of dark-on-light or light-on-dark from the remainder of the tread. The width of the visual contrast shall be consistent for the run of the stairway. The contrasting marking shall be durable and shall extend from one side of each tread to the other side of each tread.
2. Durable distinctive warning markings required by the adopted building code or ANSI safety standard.

REASON: Consistency in markings is important to the safety of vision disabled persons. It is my understanding that the optimal dimension is 2 inches.

Committee Action: AS AM D

504.6-BENTZEN.doc

| | | |
|--|-----------------------------------|----------------------------------|
| Report for 05-10- 2021 | | |
| <i>Committee decision: AS/AM/D</i> | <i>Committee Vote at Meeting:</i> | <i>Committee Vote on Ballot:</i> |
| REPORT OF HEARING: | | |
| Modification (if any): | | |
| Committee Reason: | | |
| PUBLIC COMMENT- FIRST DRAFT: | | |
| Proponent: | | |
| Desired Action: | | |
| Modification: | | |
| Reason: | | |
| <i>Committee decision: AS/AM/D</i> | <i>Committee Vote at Meeting:</i> | <i>Committee Vote on Ballot:</i> |
| REPORT OF HEARING – FIRST DRAFT | | |
| Modification (if any): | | |
| Committee Reason: | | |
| PUBLIC COMMENT- SECOND DRAFT: | | |
| Proponent: | | |
| Desired Action: | | |
| Modification: | | |
| Reason: | | |
| <i>Committee decision: AS/AM/D</i> | <i>Committee Vote at Meeting:</i> | <i>Committee Vote on Ballot:</i> |
| FINAL ACTION: | | |
| Modification (if any): | | |
| Committee Reason: | | |

05-11 – 2021

504.6

Proponent: Kimberly Paarlberg, International Code Council

Revise text as follows:

SECTION 504 STAIRWAYS

504.6 Visual contrast. Visual contrast shall comply with either 1, ~~or 2~~ or 3:

1. The leading 1 to 2 inches (25 to 51 mm) of every tread and landing, measured horizontally from the leading edge of the nosing, shall consist of a solid color having visual contrast of dark-on-light or light-on-dark from the remainder of the tread. The contrasting marking shall be durable and shall extend from one side of each tread to the other side of each tread.
2. The leading 1 to 2 inches (25 to 51 mm) in the direction of moving down the stairway, the landing edge and the last tread before the a landing or floor , measured horizontally from the leading edge of the nosing, shall consist of a solid color having visual contrast of dark-on-light or light-on-dark from the remainder of the tread. The contrasting marking shall be durable and shall extend from one side of each tread to the other side of each tread.
- ~~3.2-~~ Durable distinctive warning markings required by the adopted building code or ANSI safety standard.

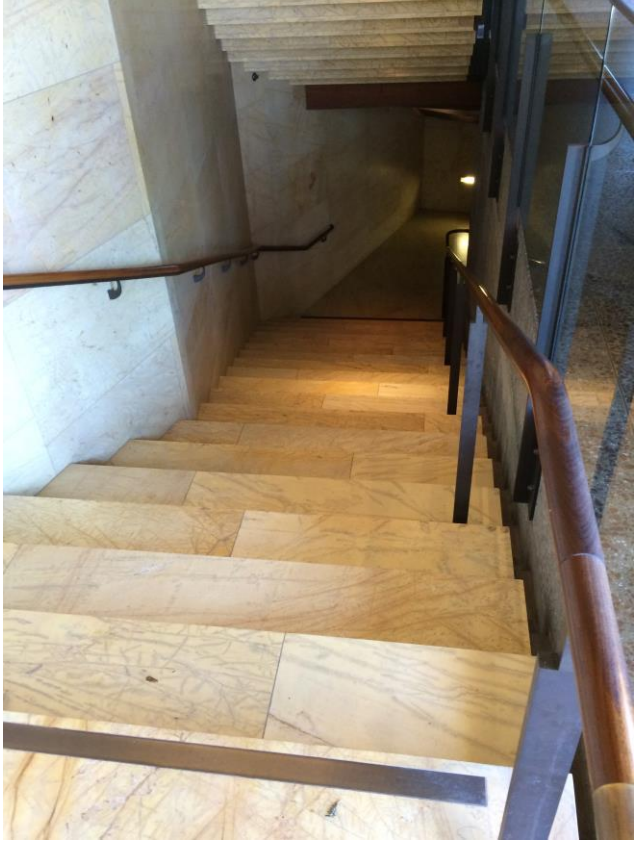
504.9 Lighting. Lighting for interior stairways shall comply with Section 504.9.

504.9.1 Illumination level. Lighting facilities shall be capable of providing illuminance of stairs measured at the center of tread surfaces and on landing surfaces within 24 inches (610 mm) of step nosings as follows:

1. A 1-foot-candle (10.8 lux) minimum illumination at times other than conditions of stair use
2. A 10-foot-candle (108 lux) minimum illumination during conditions of stair use
3. The transition from 1 foot candle (10.8 lux) to 10 foot candle (108 lux) under conditions of stair use shall be permitted to be achieved by automatic, motion sensor-type lighting switches provided the switch controllers comply with all of the following:
 - 3.1 The switch controllers are equipped for fail-safe operation and evaluated for this purpose
 - 3.2 The motion sensor is activated by occupant movement on the stair or stair landings
 - 3.3 The illumination timers are set for a minimum 15-minute duration.

504.9.2 Lighting controls. If provided, occupancy-sensing automatic controls shall activate the stairway lighting so the illuminance level required by Section 504.9.1 is provided on the entrance landing, each stair flight adjacent to the entrance landing, and on the landings above and below the entrance landing prior to any step being used.

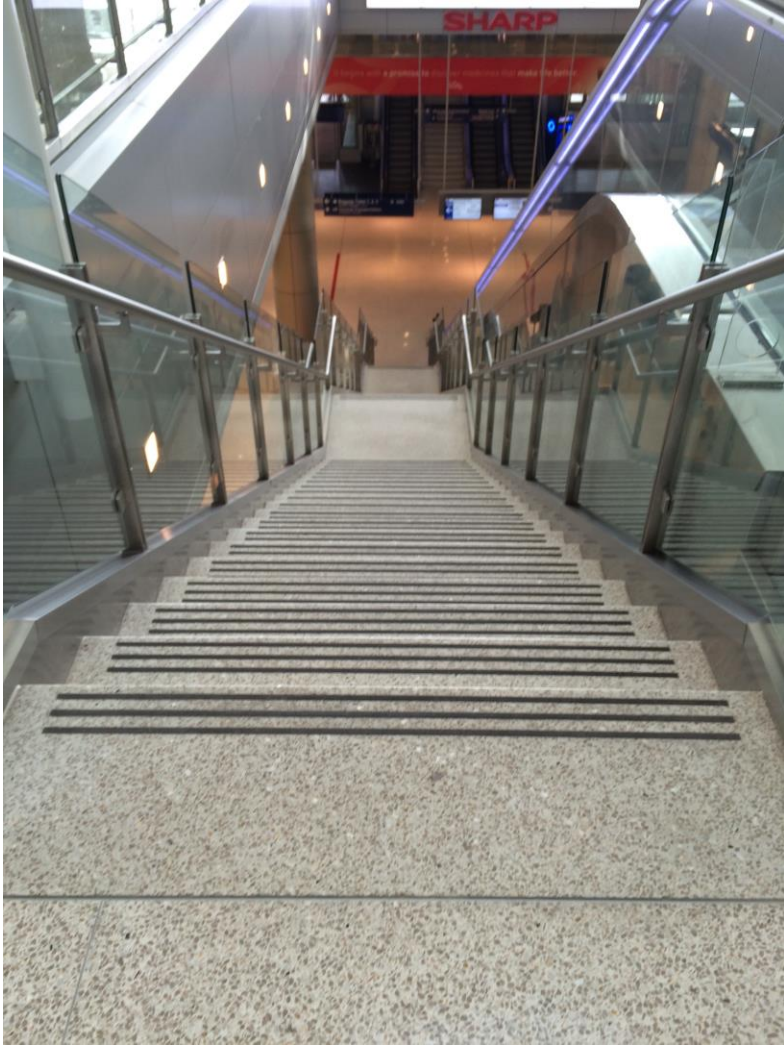
REASON: The intent of this proposal is to provide an alternative for marking stairways. Section 504.6 added an Item 2 to remove the conflict between the A117.1 stairway provisions and where stairways required warning markings are required in IBC. However, not all stairways are required to be marked in IBC. The A117.1 significantly improved the lighting on stairways. This is also in the 2021 IBC Section 1008.2.1. This was recommended as a means to notify visually impaired persons of the change in level to stairways. A stripe at each step is not needed since stairway safety studies indicate muscle memory put as person into a stairway gait in only two steps. See the examples for the new proposed Item 2 and the current Item 1.





Examples of stairway markings in new exception.

This seems to provide a clearer message than steps that could comply with the current exception 1.





Committee Action: AS AM D

504.6-PAARLBERG.doc

| | | |
|--|-----------------------------------|----------------------------------|
| Report for 05-11– 2021 | | |
| <i>Committee decision: AS/AM/D</i> | <i>Committee Vote at Meeting:</i> | <i>Committee Vote on Ballot:</i> |
| REPORT OF HEARING: | | |
| Modification (if any): | | |
| Committee Reason: | | |
| PUBLIC COMMENT- FIRST DRAFT: | | |
| Proponent: | | |
| Desired Action: | | |
| Modification: | | |
| Reason: | | |
| <i>Committee decision: AS/AM/D</i> | <i>Committee Vote at Meeting:</i> | <i>Committee Vote on Ballot:</i> |
| REPORT OF HEARING – FIRST DRAFT | | |
| Modification (if any): | | |
| Committee Reason: | | |
| PUBLIC COMMENT- SECOND DRAFT: | | |
| Proponent: | | |
| Desired Action: | | |
| Modification: | | |
| Reason: | | |
| <i>Committee decision: AS/AM/D</i> | <i>Committee Vote at Meeting:</i> | <i>Committee Vote on Ballot:</i> |
| FINAL ACTION: | | |
| Modification (if any): | | |
| Committee Reason: | | |

05-12 – 2021

504.9, 504.9.1, 504.9.2

Proponent: Kimberly Paarlberg, International Code Council

Revise text as follows:

SECTION 504 STAIRWAYS

504.9 Lighting. Lighting for interior stairways shall comply with Section ~~504.9~~ 1008.2 of the International Building Code.

~~**504.9.1 Illumination level.** Lighting facilities shall be capable of providing illuminance of stairs measured at the center of tread surfaces and on landing surfaces within 24 inches (610 mm) of step nosings as follows:~~

- ~~1. A 1 foot candle (10.8 lux) minimum illumination at times other than conditions of stair use~~
- ~~2. A 10 foot candle (108 lux) minimum illumination during conditions of stair use~~
- ~~3. The transition from 1 foot candle (10.8 lux) to 10 foot candle (108 lux) under conditions of stair use shall be permitted to be achieved by automatic, motion sensor-type lighting switches provided the switch controllers comply with all of the following:~~
 - ~~3.1 The switch controllers are equipped for fail safe operation and evaluated for this purpose~~
 - ~~3.2 The motion sensor is activated by occupant movement on the stair or stair landings~~
 - ~~3.3 The illumination timers are set for a minimum 15 minute duration.~~

~~**504.9.2 Lighting controls.** If provided, occupancy sensing automatic controls shall activate the stairway lighting so the illuminance level required by Section 504.9.1 is provided on the entrance landing, each stair flight adjacent to the entrance landing, and on the landings above and below the entrance landing prior to any step being used.~~

REASON: This proposal is not intended to remove this requirement, but rather to reference the more complete requirements in the IBC. The requirement in the IBC are for interior exit access and exit stairways and exterior exit stairways – current A117.1 is only interior. The IBC has a reasonable exception for stepped aisles in auditoriums and theaters during a performance – the ICC A117.1 does not have this exception. The IBC Section 1008.2.1 required 1 foot candle on the stairways and landings when the building is occupied, and 10 foot candles when the stairway and landings are in use. There are more extensive provision for lighting controls in the International Energy Conservation Code in Section C405.2.2.1.

Committee Action: AS AM D

504.6-PAARLBERG.doc

| | | |
|--|-----------------------------------|----------------------------------|
| Report for 05-12- 2021 | | |
| Committee decision: AS/AM/D | Committee Vote at Meeting: | Committee Vote on Ballot: |
| REPORT OF HEARING: | | |
| Modification (if any): | | |
| Committee Reason: | | |
| PUBLIC COMMENT- FIRST DRAFT: | | |
| Proponent: | | |
| Desired Action: | | |
| Modification: | | |
| Reason: | | |
| Committee decision: AS/AM/D | Committee Vote at Meeting: | Committee Vote on Ballot: |
| REPORT OF HEARING – FIRST DRAFT | | |
| Modification (if any): | | |
| Committee Reason: | | |
| PUBLIC COMMENT- SECOND DRAFT: | | |
| Proponent: | | |
| Desired Action: | | |
| Modification: | | |
| Reason: | | |
| Committee decision: AS/AM/D | Committee Vote at Meeting: | Committee Vote on Ballot: |
| FINAL ACTION: | | |
| Modification (if any): | | |
| Committee Reason: | | |

05-13 – 2021
405.11(New), 504.10

Proponent: Kimberly Paarlberg, International Code Council

Revise text as follows:

SECTION 504
STAIRWAYS

504.10 Tactile signage within the stairway or ramp enclosure. ~~Stair~~ Floor level identification signs in raised characters and braille complying with Sections 703.3 and 703.4 shall be located at each floor level landing in all enclosed exit stairways or ramps connecting more than three stories. Such sign shall be located adjacent to the door leading from the stairwell enclosed exit stairway or ramp into the corridor to identify the floor level. The exit door discharging to the outside or to the level of exit discharge shall have a sign with raised characters and braille stating “EXIT.”

504.11 Tactile signage at exits. A sign stating EXIT in raised characters and Braille and complying with Sections 703.3 and 703.4 shall be provided adjacent to each door to an area of refuge providing direct access to a stairway, an exterior area for assisted rescue, an exit stairway, an exit ramp, an exit passageway and the exit discharge.

SECTION 405
RAMPS

405.11 Tactile signage. Provide tactile signage within and enclosed ramp in accordance with Section 504.10. Provide tactile exit signs adjacent to each door in accordance with Section 504.11.

REASON: The change to proposed 504.15 is addressing a current conflict/difference with the IBC for tactile signage. The IBC contains provisions for exit stairway and ramps identification signage only where the stairway or ramp is connecting more than three stories (2021 IBC Section 1023.9). The current provisions in 504.10 only address stairways, but 504.11 addresses stairways and ramps. Rather than repeat the signage information in ramps, a reference to the provisions in 504 seems appropriate.

Committee Action: AS AM D

504.6-PAARLBERG.doc

| | | |
|-------------------------------------|-----------------------------------|----------------------------------|
| Report for 05-13– 2021 | | |
| <i>Committee decision: AS/AM/D</i> | <i>Committee Vote at Meeting:</i> | <i>Committee Vote on Ballot:</i> |
| REPORT OF HEARING: | | |
| Modification (if any): | | |
| Committee Reason: | | |
| PUBLIC COMMENT- FIRST DRAFT: | | |
| Proponent: | | |

| | | |
|--|-----------------------------------|----------------------------------|
| Report for 05-13- 2021 | | |
| Desired Action: | | |
| Modification: | | |
| Reason: | | |
| Committee decision: AS/AM/D | Committee Vote at Meeting: | Committee Vote on Ballot: |
| REPORT OF HEARING – FIRST DRAFT | | |
| Modification (if any): | | |
| Committee Reason: | | |
| PUBLIC COMMENT- SECOND DRAFT: | | |
| Proponent: | | |
| Desired Action: | | |
| Modification: | | |
| Reason: | | |
| Committee decision: AS/AM/D | Committee Vote at Meeting: | Committee Vote on Ballot: |
| FINAL ACTION: | | |
| Modification (if any): | | |
| Committee Reason: | | |

05-14 – 2021

504.5, Figures 504.5(B) and 504.5(C)

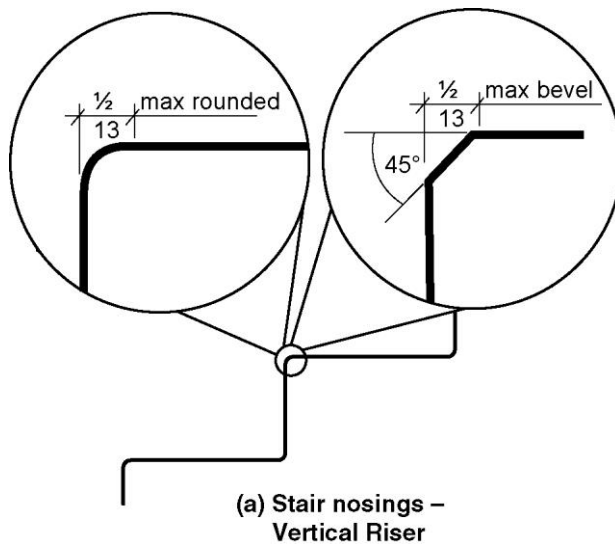
Proponent: David W. Cooper, Stair Design and Manufacturing Consultants, representing Stairbuilders and Manufacturers Association

Revise as follows:

**SECTION 504
STAIRWAYS**

504.5 Nosings. Nosings shall comply with the following:

1. Nosings within a stairway shall be uniform.
2. If rounded, the radius of curvature at the leading edge of the tread shall be 1/2 inch (13 mm) maximum.
3. If beveled, the bevel at the leading edge shall slope at 45 degrees to the plane of the top surface of the tread and landing and extend for a horizontal distance of 1/2 inch (13 mm) maximum.
4. Nosings that project beyond risers shall have the underside of the leading edge curved or beveled.
5. Risers shall be permitted to slope under the tread at an angle of 30 degrees maximum from vertical.
6. The permitted projection of the nosing shall be ~~1 1/2~~ 1 1/4 inches (~~38~~ 32 mm) maximum over the tread or floor below.



**FIGURE 504.5(A)
STAIR NOSINGS - VERTICAL RISER - CURVE OR BEVEL AT LEADING EDGE**

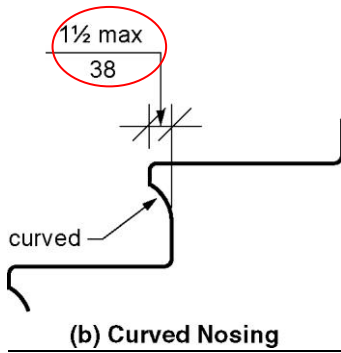


FIGURE 504.5(B)
STAIR NOSINGS - VERTICAL RISER CURVED NOSING
(Note: Revise drawings to change 1-1/2 to 1-1/4)

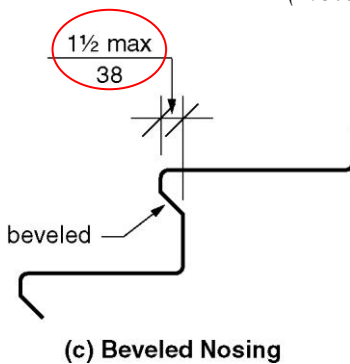


FIGURE 504.5(C)
STAIR NOSINGS - VERTICAL RISER BEVELED NOSING
(Note: Revise drawings to change 1-1/2 to 1-1/4 and add 30 degrees maximum)

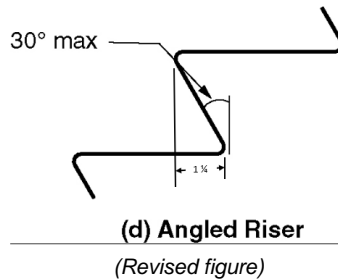
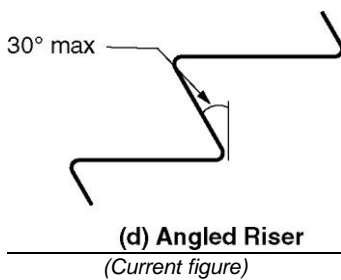


FIGURE 504.5(D)
STAIR NOSINGS - VERTICAL RISER ANGLED RISER
(Note: Revise drawings to add 1-1/4)

REASON: The nosing projection allowed in the IBC is only 1 1/4 inches (32 mm) the A117.1 standard should cause confusion because it specifies a larger nosing projection that is contradictory.

Committee Action: AS AM D

| | | |
|--|-----------------------------------|----------------------------------|
| Report for 05-14- 2021 | | |
| <i>Committee decision: AS/AM/D</i> | <i>Committee Vote at Meeting:</i> | <i>Committee Vote on Ballot:</i> |
| REPORT OF HEARING: | | |
| Modification (if any): | | |
| Committee Reason: | | |
| PUBLIC COMMENT- FIRST DRAFT: | | |
| Proponent: | | |
| Desired Action: | | |
| Modification: | | |
| Reason: | | |
| <i>Committee decision: AS/AM/D</i> | <i>Committee Vote at Meeting:</i> | <i>Committee Vote on Ballot:</i> |
| REPORT OF HEARING – FIRST DRAFT | | |
| Modification (if any): | | |
| Committee Reason: | | |
| PUBLIC COMMENT- SECOND DRAFT: | | |
| Proponent: | | |
| Desired Action: | | |
| Modification: | | |
| Reason: | | |
| <i>Committee decision: AS/AM/D</i> | <i>Committee Vote at Meeting:</i> | <i>Committee Vote on Ballot:</i> |
| FINAL ACTION: | | |
| Modification (if any): | | |
| Committee Reason: | | |

05-15 – 2021
505.5

Proponent: Gene Boecker, Code Consultants, Inc.

Revise as follows:

SECTION 504
STAIRWAYS

505.5 Clearance. Clearance between handrail gripping surface and adjacent surfaces shall be 1 1/2 inches (38 mm) minimum. The space between the handrail and projecting objects above the handrail shall be 18 inches (455 mm) minimum. A projecting object shall not project further than the inside face of the handrail.

REASON: Although this was deleted from the provisions, it needs to be brought back. We have recently seen a handrail located in a recess that had only 3 inches clear above the top gripping surface. This makes the condition potentially unsafe since the top of the hand can contact the underside of the projecting wall above.

In researching this issue, it was found that other elements could become problematic as well. Wall sconces and artwork mounted to the wall can become elements that may adversely affect the ability to grasp the handrail in an emergency condition.

Committee Action: AS AM D

505.5-BOECKER.doc

| | | |
|--|-----------------------------------|----------------------------------|
| Report for 05-15– 2021 | | |
| <i>Committee decision: AS/AM/D</i> | <i>Committee Vote at Meeting:</i> | <i>Committee Vote on Ballot:</i> |
| REPORT OF HEARING: | | |
| Modification (if any): | | |
| Committee Reason: | | |
| PUBLIC COMMENT- FIRST DRAFT: | | |
| Proponent: | | |
| Desired Action: | | |
| Modification: | | |
| Reason: | | |
| <i>Committee decision: AS/AM/D</i> | <i>Committee Vote at Meeting:</i> | <i>Committee Vote on Ballot:</i> |
| REPORT OF HEARING – FIRST DRAFT | | |
| Modification (if any): | | |
| Committee Reason: | | |
| PUBLIC COMMENT- SECOND DRAFT: | | |
| Proponent: | | |
| Desired Action: | | |
| Modification: | | |
| Reason: | | |
| <i>Committee decision: AS/AM/D</i> | <i>Committee Vote at Meeting:</i> | <i>Committee Vote on Ballot:</i> |
| FINAL ACTION: | | |
| Modification (if any): | | |
| Committee Reason: | | |

05-16 – 2021
505.10

Proponent: David W. Cooper, Stair Design and Manufacturing Consultants, representing Stairbuilders and Manufacturers Association

Revise as follows:

SECTION 505
HANDRAILS

505.10 Handrail extensions. Handrails shall extend the minimum distance beyond and in the same direction of stair flights and ramp runs without change in direction in accordance with Section 505.10.

Exceptions:

1. Continuous handrails at the inside turn of stairs and ramps.
2. Handrail extensions shall not be required in aisles serving seating where the handrails are discontinuous to provide access to seating and to permit crossovers within the aisle.
3. In alterations, full extensions of handrails shall not be required where such extensions would be hazardous due to plan configuration.

REASON: This change will provide for consistent enforcement of the measured length of handrail extensions at ramps and stairs.

Committee Action: AS AM D

505.10-COOPER.doc

| | | |
|--|-----------------------------------|----------------------------------|
| Report for 05-16– 2021 | | |
| <i>Committee decision: AS/AM/D</i> | <i>Committee Vote at Meeting:</i> | <i>Committee Vote on Ballot:</i> |
| REPORT OF HEARING: | | |
| Modification (if any): | | |
| Committee Reason: | | |
| PUBLIC COMMENT- FIRST DRAFT: | | |
| Proponent: | | |
| Desired Action: | | |
| Modification: | | |
| Reason: | | |
| <i>Committee decision: AS/AM/D</i> | <i>Committee Vote at Meeting:</i> | <i>Committee Vote on Ballot:</i> |
| REPORT OF HEARING – FIRST DRAFT | | |
| Modification (if any): | | |
| Committee Reason: | | |
| PUBLIC COMMENT- SECOND DRAFT: | | |
| Proponent: | | |
| Desired Action: | | |
| Modification: | | |
| Reason: | | |
| <i>Committee decision: AS/AM/D</i> | <i>Committee Vote at Meeting:</i> | <i>Committee Vote on Ballot:</i> |
| FINAL ACTION: | | |
| Modification (if any): | | |
| Committee Reason: | | |

05-17 – 2021

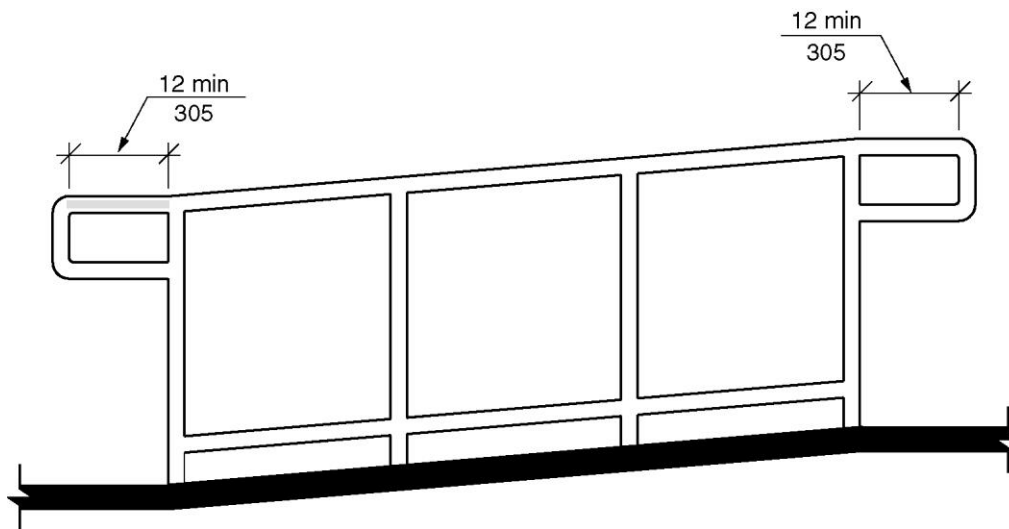
505.10.1, 505.10.2, 505.10.3, Figures 505.10.3

Proponent: David Cooper, Stair Design and Manufacturing Consultants, representing Stairbuilders and Manufacturers Association

Revise as follows:

**SECTION 505
HANDRAILS**

505.10.1 Top and bottom extension at ramps. Ramp handrails shall extend horizontally above the landing 12 inches (305 mm) minimum beyond the top and bottom of ramp runs. Extensions shall return to a wall, guard, or floor, or shall be continuous to the handrail of an adjacent ramp run or adjacent flight of stairs.



**FIGURE 505.10.1
TOP AND BOTTOM HANDRAIL EXTENSION AT RAMPS**

505.10.2 Top extension at stairs. At the top of a stair flight, handrails shall extend horizontally above the landing for 12 inches (305 mm) minimum beginning directly above the landing nosing. Extensions shall return to a wall, guard, or the landing surface, or shall be continuous to the handrail of an adjacent stair flight or adjacent ramp run.

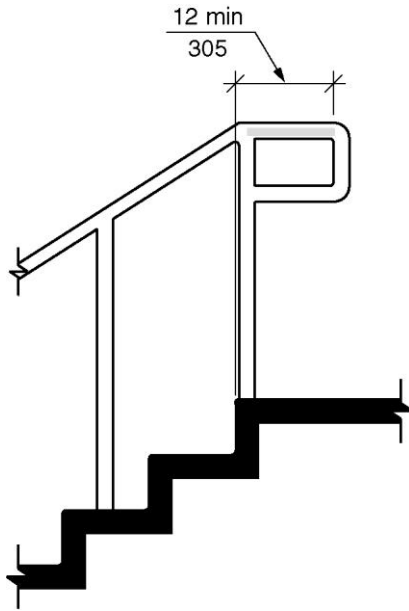


FIGURE 505.10.1
TOP AND BOTTOM HANDRAIL EXTENSION AT RAMPS

505.10.3 Bottom extension at stairs. At the bottom of a stair flight, handrails shall extend at the slope of the stair flight for a horizontal distance equal to one tread depth beyond the bottom tread nosing. Extensions shall return to a wall, guard, or the landing surface, or shall be continuous to the handrail of an adjacent stair flight or adjacent ramp run.

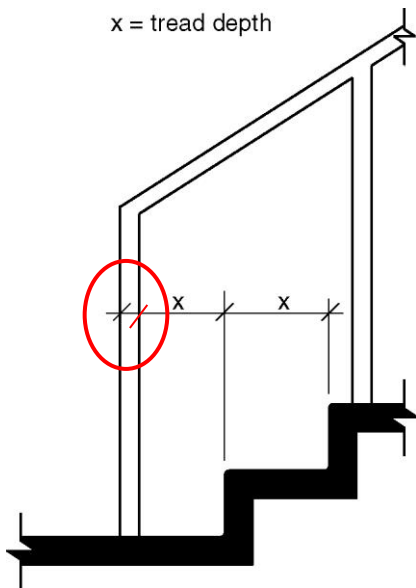


FIGURE 505.10.3
BOTTOM HANDRAIL EXTENSION AT STAIRS

REASON: It is very common for stairs and ramps in juxtaposition to leave no room for typical handrail extensions but it is often feasible to make the handrail continuous at the intersection of the ramp and stair just as it is to provide continuity at adjoining ramp runs and adjoining flights of stairs.

Committee Action: AS AM D

505.10.1-COOPER.doc

| | | |
|--|-----------------------------------|----------------------------------|
| Report for 05-17- 2021 | | |
| <i>Committee decision: AS/AM/D</i> | <i>Committee Vote at Meeting:</i> | <i>Committee Vote on Ballot:</i> |
| REPORT OF HEARING: | | |
| Modification (if any): | | |
| Committee Reason: | | |
| PUBLIC COMMENT- FIRST DRAFT: | | |
| Proponent: | | |
| Desired Action: | | |
| Modification: | | |
| Reason: | | |
| <i>Committee decision: AS/AM/D</i> | <i>Committee Vote at Meeting:</i> | <i>Committee Vote on Ballot:</i> |
| REPORT OF HEARING – FIRST DRAFT | | |
| Modification (if any): | | |
| Committee Reason: | | |
| PUBLIC COMMENT- SECOND DRAFT: | | |
| Proponent: | | |
| Desired Action: | | |
| Modification: | | |
| Reason: | | |
| <i>Committee decision: AS/AM/D</i> | <i>Committee Vote at Meeting:</i> | <i>Committee Vote on Ballot:</i> |
| FINAL ACTION: | | |
| Modification (if any): | | |
| Committee Reason: | | |

05-18 – 2021

505.10.1, 505.10.2, 505.10.3, Figures 505.10.3

Proponent: Kimberly Paarlberg, International Code Council

Revise as follows:

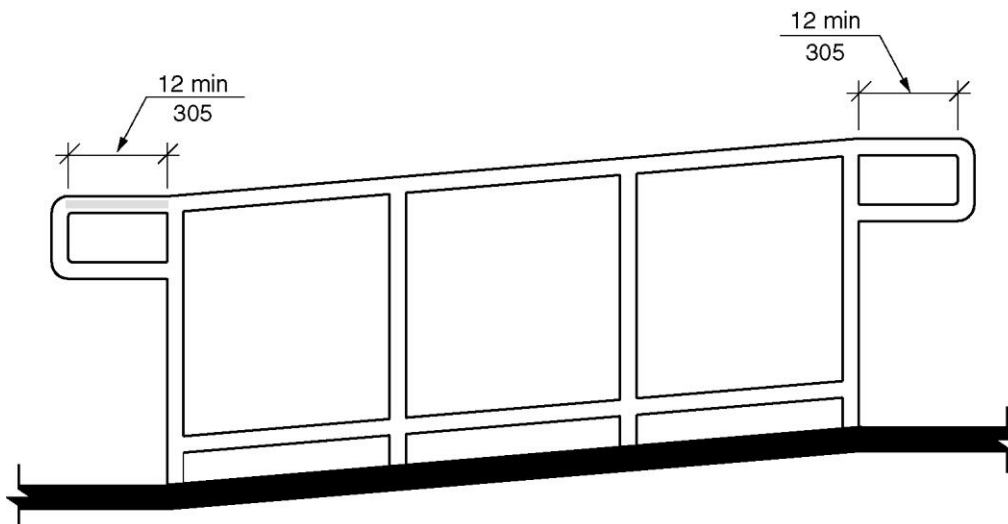
SECTION 505 HANDRAILS

505.10 Handrail extensions. Handrails shall extend beyond and in the same direction of stair flights and ramp runs in accordance with Section 505.10.

Exceptions:

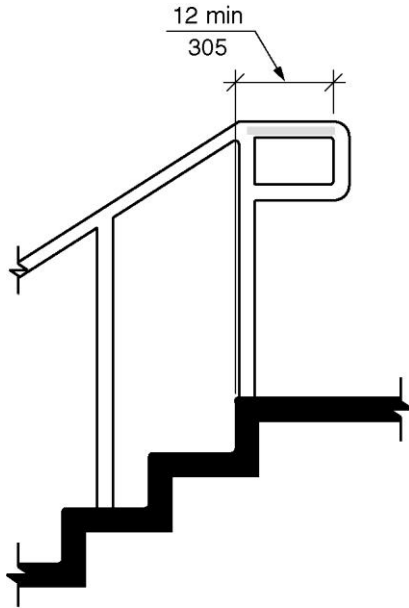
1. Continuous handrails at the inside turn of stairs and ramps.
2. Handrail extensions shall not be required in aisles serving seating where the handrails are discontinuous to provide access to seating and to permit crossovers within the aisle.
3. In alterations, full extensions of handrails shall not be required where such extensions would be hazardous due to plan configuration.

505.10.1 Top and bottom extension at ramps. Ramp handrails shall extend horizontally above the landing 12 inches (305 mm) minimum beyond the top and bottom of ramp runs and shall extend the required minimum length before any change in direction or decrease in clearances required by Section 505.3 or 505.5. Extensions shall return to a wall, guard, or floor, or shall be continuous to the handrail of an adjacent ramp run.



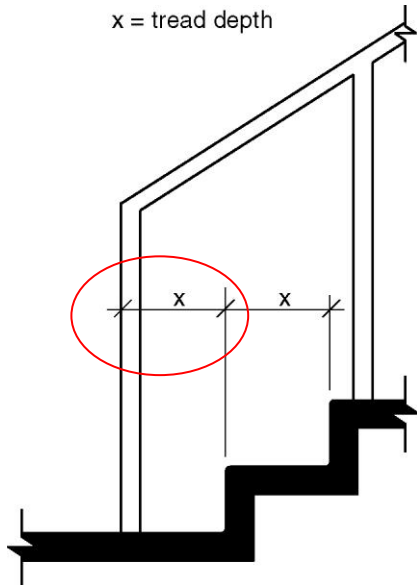
**FIGURE 505.10.1
TOP AND BOTTOM HANDRAIL EXTENSION AT RAMPS**

505.10.2 Top extension at stairs. At the top of a stair flight, handrails shall extend horizontally ~~above~~ beyond the landing nosing for 12 inches (305 mm) minimum and shall extend the required minimum length before any change in direction or decrease in clearances required by Section 505.3 or 505.5 beginning directly above the landing nosing. Extensions shall return to a wall, guard, or the landing surface, or shall be continuous to the handrail of an adjacent stair flight.



**FIGURE 505.10.1
TOP AND BOTTOM HANDRAIL EXTENSION AT RAMPS**

505.10.3 Bottom extension at stairs. At the bottom of a stair flight, handrails shall extend at the slope of the stair flight for a horizontal distance equal to one tread depth beyond the bottom tread nosing and shall extend the required minimum length before any change in direction or decrease in clearances required by Section 505.3 or 505.5. Extensions shall return to a wall, guard, or the landing surface, or shall be continuous to the handrail of an adjacent stair flight.



**FIGURE 505.10.3
BOTTOM HANDRAIL EXTENSION AT STAIRS**

REASON: There are two code changes into IBC to clarify where the extension is measured to E75-21 and E76-21. The intent of this proposal is to be consistent with these proposals. The handrail can turn down or out to a wall, so this needs to be addressed in both directions.

Section 505.3 Continuity cites clearances at handrail brackets and Section 505.5 cites clearances at walls and other surfaces. Clearances is relevant as the clearances decreases at the beginning of a horizontal bend or return. The change in direction identifies the end of the grasping surface.

Committee Action: AS AM D

505.10-PAARLBERG.doc

| | | |
|--|-----------------------------------|----------------------------------|
| Report for 05-18- 2021 | | |
| <i>Committee decision: AS/AM/D</i> | <i>Committee Vote at Meeting:</i> | <i>Committee Vote on Ballot:</i> |
| REPORT OF HEARING: | | |
| Modification (if any): | | |
| Committee Reason: | | |
| PUBLIC COMMENT- FIRST DRAFT: | | |
| Proponent: | | |
| Desired Action: | | |
| Modification: | | |
| Reason: | | |
| <i>Committee decision: AS/AM/D</i> | <i>Committee Vote at Meeting:</i> | <i>Committee Vote on Ballot:</i> |
| REPORT OF HEARING – FIRST DRAFT | | |
| Modification (if any): | | |
| Committee Reason: | | |
| PUBLIC COMMENT- SECOND DRAFT: | | |
| Proponent: | | |
| Desired Action: | | |
| Modification: | | |
| Reason: | | |
| <i>Committee decision: AS/AM/D</i> | <i>Committee Vote at Meeting:</i> | <i>Committee Vote on Ballot:</i> |
| FINAL ACTION: | | |
| Modification (if any): | | |

Report for 05-18-2021

Committee Reason:

05-19 – 2021
506.1, 1102.13

Proponent: Gina Hilberry, Cohen Hilberry Architects, representing United Cerebral Palsy

Revise text as follows:

SECTION 506
WINDOWS

506.1 General. Where operable windows are provided in an accessible room or space, at least one shall comply with Section 506. Where operable windows are required to provide natural ventilation or operable windows are required to provide an emergency escape and rescue opening, that window shall be the operable window that complies with Section 506.

Exceptions:

1. Operable windows that are operated only by employees shall not be required to comply with this section.
2. Operable windows in Type A units that comply with Section 1103.13.
3. Operable skylights shall not be required to comply with this section.
4. Operable windows in Type B and Type C units shall not be required to comply with this section.

SECTION 1102
ACCESSIBLE UNITS

1102.13 Windows. Operable windows shall comply with Section 506.1.

Exceptions:

1. Windows in kitchens and over a counter shall not be required to comply with Section ~~1102.13~~ 506.1 where an exhaust fan, a vented range hood or another operable is provided within the same general area.
2. Windows in bathrooms shall not be required to comply with Section 1102.13 where an exhaust fan is provided in the bathroom.

SECTION 1103
TYPE A UNITS

1103.13 Windows. Operable windows shall comply with Section 1103.13.

Exceptions:

1. Windows in kitchens shall not be required to comply with Section 1103.13.
2. Windows in bathrooms shall not be required to comply with Section 1103.13.

1103.13.1 Natural ventilation. Operable windows required to provide natural ventilation shall comply with Sections 309.2 and 309.3.

1103.13.2 Emergency escape. Operable windows required to provide an emergency escape and rescue opening shall comply with Section 309.2.

REASON: Section 506.1 Exception 4 These residential facilities are not required to have windows with hardware within reach or that meet force requirements.

1102.13. In kitchen and bathrooms it is nearly impossible to locate the operating hardware and locks within reach. Where the need for ventilation is addressed by means of mechanical equipment or a window in an adjoining space, it is better to have the window than to create a regulatory situation that suggests omitting the window just to avoid the requirement.

Committee Action: AS AM D

506.1-HILBERRY.doc

| | | |
|--|-----------------------------------|----------------------------------|
| Report for 05-19- 2021 | | |
| Committee decision: AS/AM/D | Committee Vote at Meeting: | Committee Vote on Ballot: |
| REPORT OF HEARING: | | |
| Modification (if any): | | |
| Committee Reason: | | |
| PUBLIC COMMENT- FIRST DRAFT: | | |
| Proponent: | | |
| Desired Action: | | |
| Modification: | | |
| Reason: | | |
| Committee decision: AS/AM/D | Committee Vote at Meeting: | Committee Vote on Ballot: |
| REPORT OF HEARING – FIRST DRAFT | | |
| Modification (if any): | | |
| Committee Reason: | | |
| PUBLIC COMMENT- SECOND DRAFT: | | |
| Proponent: | | |
| Desired Action: | | |
| Modification: | | |
| Reason: | | |
| Committee decision: AS/AM/D | Committee Vote at Meeting: | Committee Vote on Ballot: |
| FINAL ACTION: | | |
| Modification (if any): | | |
| Committee Reason: | | |

05-20 – 2021
507.1

Proponent: Marsha Mazz, representing United Spinal Association

Revise as follows:

SECTION 507
ACCESSIBLE ROUTES THROUGH PARKING

507.1 General. Where accessible routes pass through parking facilities, they shall be physically ~~separated~~ protected from vehicular traffic.

Exceptions:

1. Accessible routes crossings drive aisles shall not be required to comply with this section.
2. Accessible routes only from parking spaces complying with Section 502 and passenger loading zones complying with Section 503 to accessible entrances shall not be required to comply with this section.

REASON: Users are confused as to the meaning of the requirement to “physically separate” routes through parking from vehicular traffic. They ask if this means that the route must be raised above the traffic lanes and how high or if a yellow line would suffice. When considering this proposal, the committee also struggled with this wording. We believe the word “protected” works better than “separated” and is a more acceptable performance standard as it better conveys the purpose. The designer would have to determine how to protect the route – they might elevate it to curb level, provide barriers such as wheel stops, jersey barriers, railings, or anything else that affords some physical protection. A pavement marking would not comply because although it is a physical element, it fails to afford “protection”. Under the current text, however, a pavement marking could be construed to meet the requirement for “physical separation”.

Committee Action: AS AM D

507.1-MAZZ.doc

| | | |
|--|-----------------------------------|----------------------------------|
| Report for 05-20– 2021 | | |
| <i>Committee decision: AS/AM/D</i> | <i>Committee Vote at Meeting:</i> | <i>Committee Vote on Ballot:</i> |
| REPORT OF HEARING: | | |
| Modification (if any): | | |
| Committee Reason: | | |
| PUBLIC COMMENT- FIRST DRAFT: | | |
| Proponent: | | |
| Desired Action: | | |
| Modification: | | |
| Reason: | | |
| <i>Committee decision: AS/AM/D</i> | <i>Committee Vote at Meeting:</i> | <i>Committee Vote on Ballot:</i> |
| REPORT OF HEARING – FIRST DRAFT | | |
| Modification (if any): | | |
| Committee Reason: | | |
| PUBLIC COMMENT- SECOND DRAFT: | | |
| Proponent: | | |
| Desired Action: | | |
| Modification: | | |
| Reason: | | |
| <i>Committee decision: AS/AM/D</i> | <i>Committee Vote at Meeting:</i> | <i>Committee Vote on Ballot:</i> |

Report for 05-20- 2021

FINAL ACTION:

Modification (if any):

Committee Reason:

05-21 – 2021
507, 507.1

Proponent: Billie Louise (Beezy) Bentzen, PhD., Accessible Design for the Blind, representing Association for the Education and Rehabilitation of the Blind and Visually Impaired (AER)

Revise as follows:

SECTION 507
ACCESSIBLE ROUTES THROUGH PARKING FROM PUBLIC TRANSIT STOPS OR STATIONS TO FACILITIES THEY SERVE

507.1 General. Where accessible routes pass through parking facilities and are intended to provide access from public transit stops or stations to facilities, they shall be physically separated from vehicular traffic by one or more of the following:

1. A vertical change in level of 4 inches, minimum.
2. Barriers or railings complying with MUTCD Chapter 6.
3. Landscaping.
4. Parking spaces having a barrier or wheel stops between the parking spaces and the accessible route.

Exceptions:

- ~~1. Accessible routes crossing drive aisles shall not be required to comply with this section.~~
- ~~2. Accessible routes only from parking spaces complying with Section 502 and passenger loading zones complying with Section 503 to accessible entrances shall not be required to comply with this section.~~

REASON: Lack of protected accessible routes from public transit stops and stations to such facilities as medical facilities, education facilities, government agencies, shopping centers, malls, and other public spaces commonly surrounded by large parking areas presents a barrier to those who are dependent upon public transportation and pedestrian modes of travel. The need to walk through parking lots to get from public transportation stops to facilities they serve makes it difficult and unsafe for persons who have visual impairments or mobility impairments and persons of short stature, including children, to access many facilities.

Committee Action: AS AM D

507-BENTZEN.doc

| | | |
|--|-----------------------------------|----------------------------------|
| Report for 05-21– 2021 | | |
| <i>Committee decision: AS/AM/D</i> | <i>Committee Vote at Meeting:</i> | <i>Committee Vote on Ballot:</i> |
| REPORT OF HEARING: | | |
| Modification (if any): | | |
| Committee Reason: | | |
| PUBLIC COMMENT- FIRST DRAFT: | | |
| Proponent: | | |
| Desired Action: | | |
| Modification: | | |
| Reason: | | |
| <i>Committee decision: AS/AM/D</i> | <i>Committee Vote at Meeting:</i> | <i>Committee Vote on Ballot:</i> |
| REPORT OF HEARING – FIRST DRAFT | | |
| Modification (if any): | | |

| | | |
|--------------------------------------|-----------------------------------|----------------------------------|
| Report for 05-21- 2021 | | |
| Committee Reason: | | |
| PUBLIC COMMENT- SECOND DRAFT: | | |
| Proponent: | | |
| Desired Action: | | |
| Modification: | | |
| Reason: | | |
| Committee decision: AS/AM/D | Committee Vote at Meeting: | Committee Vote on Ballot: |
| FINAL ACTION: | | |
| Modification (if any): | | |
| Committee Reason: | | |

06-01 – 2021
602.4.1

Proponent: Kimberly Paarlberg, International Code Council

Revise as follows:

SECTION 602
DRINKING FOUNTAINS AND BOTTLE FILLING STATIONS

602.4.1 Clear floor space. A clear floor space complying with Section 305 positioned for a forward or side approach shall be provided.

REASON: This is somewhat of a “style” issue for the committee to consider, but it also provides clarity for the standard. While Section 305 is a “building block” section and is titled “Clear Floor Space”, since that is not a defined term, there truly is nothing to state that the clear space that this section is looking for must be of any specific size or configuration. If a designer or owner provided an 18” x 18” space similar to Section 703.3.11 or a space of any other size or configuration, how can any enforcing agency say it is not in compliance unless a specific reference or configuration is given?

This may be an item for an editorial task group to investigate. This is not the only section of the standard where this uncertainty exists. Plus, if a revision is made to only some locations, then the assumption would be that if any other section did not contain a reference that the intent was different and that a differently sized or configured space would be permitted. Unfortunately, the current standard is inconsistent. Many sections do contain the phrase “complying with Section 305” or they rely on references to other sections such as Section 309 and 309.2 which would then reference Section 305. In some sections a previous reference to Section 305 or 309 would be adequate and not every time the term “clear floor space” is used would the added reference be needed. Examples of other sections that could use this added reference are Sections 306.1, 407.2.1.3, 602.2.1 and others.

Committee Action: AS AM D

602.4.1-PAARLBERG.doc

| | | |
|--|-----------------------------------|----------------------------------|
| Report for 06-01– 2021 | | |
| <i>Committee decision: AS/AM/D</i> | <i>Committee Vote at Meeting:</i> | <i>Committee Vote on Ballot:</i> |
| REPORT OF HEARING: | | |
| Modification (if any): | | |
| Committee Reason: | | |
| PUBLIC COMMENT- FIRST DRAFT: | | |
| Proponent: | | |
| Desired Action: | | |
| Modification: | | |
| Reason: | | |
| <i>Committee decision: AS/AM/D</i> | <i>Committee Vote at Meeting:</i> | <i>Committee Vote on Ballot:</i> |
| REPORT OF HEARING – FIRST DRAFT | | |
| Modification (if any): | | |
| Committee Reason: | | |
| PUBLIC COMMENT- SECOND DRAFT: | | |

Report for 06-01– 2021

| | | |
|------------------------------------|-----------------------------------|----------------------------------|
| Proponent: | | |
| Desired Action: | | |
| Modification: | | |
| Reason: | | |
| Committee decision: AS/AM/D | Committee Vote at Meeting: | Committee Vote on Ballot: |
| FINAL ACTION: | | |
| Modification (if any): | | |
| Committee Reason: | | |

06-02 – 2021
602.4.2

Proponent: Kimberly Paarlberg, International Code Council

Revise as follows:

SECTION 602
DRINKING FOUNTAINS AND BOTTLE FILLING STATIONS

602.4.2 Controls. Controls for bottle filling stations shall be hand operated or automatic. Hand operated controls shall comply with Section 309. Automatic controls shall allow for bottle filling within the height requirements of Section 309.3.

REASON: As currently written, automatic controls are not regulated by Section 309 and therefore are not required to be within the reach range. The provisions of Sections 602.2 and 602.3 (specifically 602.2.2 and 602.3.1) require “operable parts” for the drinking fountains to comply with Section 309 and also establish a spout height requirement. Those height limits would be required whether the drinking fountains are hand operated or automatic. The bottle filling station provisions do not contain a similar requirement and therefore it could be argued that a bottle filling station may require either a reach above 48 inches or below 15 inches in order to operate. This requirement does not specify the filler height or require it to function within the entire range of 15 to 48 inches. The intent is simply that the automatic bottle filling controls should require the filling operation to be within the minimum and maximum reach ranges.

Committee Action: AS AM D

602.4.2-PAARLBERG.doc

| | | |
|--|-----------------------------------|----------------------------------|
| Report for 06-02– 2021 | | |
| <i>Committee decision: AS/AM/D</i> | <i>Committee Vote at Meeting:</i> | <i>Committee Vote on Ballot:</i> |
| REPORT OF HEARING: | | |
| Modification (if any): | | |
| Committee Reason: | | |
| PUBLIC COMMENT- FIRST DRAFT: | | |
| Proponent: | | |
| Desired Action: | | |
| Modification: | | |
| Reason: | | |
| <i>Committee decision: AS/AM/D</i> | <i>Committee Vote at Meeting:</i> | <i>Committee Vote on Ballot:</i> |
| REPORT OF HEARING – FIRST DRAFT | | |
| Modification (if any): | | |
| Committee Reason: | | |
| PUBLIC COMMENT- SECOND DRAFT: | | |
| Proponent: | | |
| Desired Action: | | |
| Modification: | | |
| Reason: | | |
| <i>Committee decision: AS/AM/D</i> | <i>Committee Vote at Meeting:</i> | <i>Committee Vote on Ballot:</i> |
| FINAL ACTION: | | |
| Modification (if any): | | |
| Committee Reason: | | |

06-03 – 2021
603.2.1

Proponent: Edward Steinfeld, IDEA Center, University at Buffalo, representing RESNA.

Revise as follows:

SECTION 603
TOILET AND BATHING ROOMS

603.2.1 Turning space. A turning space shall be provided within the room. ~~The required t~~
 Turning spaces ~~shall~~ are not ~~be provided~~ required within a-toilet ~~compartment~~ compartments.
Where provided, such turning spaces shall not be the only turning space in the room.

REASON: As currently written, it is not allowable to include a turning space within a compartment. This revision clarifies that they are allowed but a turning space in the room is still required if they are provided.

Committee Action: AS AM D

603.2.1-STEINFELD.doc

| | | |
|--|-----------------------------------|----------------------------------|
| Report for 06-03– 2021 | | |
| <i>Committee decision: AS/AM/D</i> | <i>Committee Vote at Meeting:</i> | <i>Committee Vote on Ballot:</i> |
| REPORT OF HEARING: | | |
| Modification (if any): | | |
| Committee Reason: | | |
| PUBLIC COMMENT- FIRST DRAFT: | | |
| Proponent: | | |
| Desired Action: | | |
| Modification: | | |
| Reason: | | |
| <i>Committee decision: AS/AM/D</i> | <i>Committee Vote at Meeting:</i> | <i>Committee Vote on Ballot:</i> |
| REPORT OF HEARING – FIRST DRAFT | | |
| Modification (if any): | | |
| Committee Reason: | | |
| PUBLIC COMMENT- SECOND DRAFT: | | |
| Proponent: | | |
| Desired Action: | | |
| Modification: | | |
| Reason: | | |
| <i>Committee decision: AS/AM/D</i> | <i>Committee Vote at Meeting:</i> | <i>Committee Vote on Ballot:</i> |
| FINAL ACTION: | | |
| Modification (if any): | | |
| Committee Reason: | | |

06-04 – 2021

603.3

Proponent: Marsha Mazz, representing United Spinal Association

Revise as follows:

SECTION 603 TOILET AND BATHING ROOMS

603.3 Mirrors. Where mirrors are located above lavatories, a mirror shall be located over the lavatory complying with Section 606 and shall be ~~mounted~~ installed with the bottom edge of the reflecting surface ~~40~~ 38 inches (~~1015~~ 965 mm) above the floor. Where mirrors are located above ~~counters~~ work surfaces that do not contain lavatories, the mirror shall be mounted with the bottom edge of the reflecting surface ~~40~~ 38 inches (~~1015~~ 965 mm) maximum above the floor.

Exception: Other than within Accessible dwelling or sleeping units, mirrors ~~shall not be required~~ over the lavatories ~~or~~ and ~~counters~~ work surfaces shall not be required to comply with this section if where a mirror is located within the same toilet or bathing room and is ~~mounted~~ installed with the bottom edge of the reflecting surface 35 inches (890 mm) maximum above the floor.

REASON: The term “work surface” is substituted in this section for “counter”. Counters in toilet and bathing rooms are only indirectly covered – if they contain a lavatory or if one must reach across them to access an operable part. Counters with lavatories are already covered by this section. The other type of counter typically found in a toilet or bathing room is more similar to a work surface for which technical criteria is provided in Section 902.44 and where one can rest grooming products and personal belongings while combing their hair.

A common complaint among United Spinal members is that a mirror that is installed with the bottom of the reflecting surface at 40 inches min. above the floor do not reflect enough of their face and shoulders to allow for proper grooming. The front of an accessible lavatory or work surface cannot be higher than 34 inches (Sections 606.3 and 902.3). Requiring the mirror to be installed no higher than 38 inches above the floor will allow adequate space (4 inches) for a back splash or other treatment. If space is limited, designers can opt for a frameless mirror.

We revised the exception because it was confusing. As written, it exempted a mirror from being installed over the lavatory – this is not required. We revised the exception to match the intent by allowing mirrors over lavatories and counters not to be accessible if a mirror with its bottom edge no higher than 35 inches is installed elsewhere in the toilet or bathing room.

We propose changing the word “mounted” to “installed” because “mounting” is what jockeys do to horses and “installing” is what contractors do for building products. CSI Master Format Division 1 defines “install”: Unload, unpack, assemble, erect, place, anchor, apply, work to dimension, finish, cure, connect to required services, store and protect, and similar operations required to put a product in place and make it functional and “provide”: Furnish and install completely, ready for intended use.

Committee Action: AS AM D

603.3-MAZZ.doc

| | | |
|--|-----------------------------------|----------------------------------|
| Report for 06-04- 2021 | | |
| <i>Committee decision: AS/AM/D</i> | <i>Committee Vote at Meeting:</i> | <i>Committee Vote on Ballot:</i> |
| REPORT OF HEARING: | | |
| Modification (if any): | | |
| Committee Reason: | | |
| PUBLIC COMMENT- FIRST DRAFT: | | |
| Proponent: | | |
| Desired Action: | | |
| Modification: | | |
| Reason: | | |
| <i>Committee decision: AS/AM/D</i> | <i>Committee Vote at Meeting:</i> | <i>Committee Vote on Ballot:</i> |
| REPORT OF HEARING – FIRST DRAFT | | |
| Modification (if any): | | |
| Committee Reason: | | |
| PUBLIC COMMENT- SECOND DRAFT: | | |
| Proponent: | | |
| Desired Action: | | |
| Modification: | | |
| Reason: | | |
| <i>Committee decision: AS/AM/D</i> | <i>Committee Vote at Meeting:</i> | <i>Committee Vote on Ballot:</i> |
| FINAL ACTION: | | |
| Modification (if any): | | |
| Committee Reason: | | |

06-05 – 2021
603.5

Proponent: Marsha Mazz, representing United Spinal Association

Revise as follows:

SECTION 603
TOILET AND BATHING ROOMS

603.5 Diaper changing tables. Diaper changing tables shall comply with Sections 309 and 902. Diaper changing tables shall not be located in toilet compartments required to comply with Section 604.9.

REASON: A common complaint among United Spinal Association members is that baby changing tables are left in the down position and are difficult, if not impossible, to return to a closed position because their location in an accessible compartment makes it impossible to get into position to close them. Even though Section 604.3.3 prohibits a diaper changing table from overlapping the clearance around the water closet, it can still block access to the toilet when in the open position.

Committee Action: AS AM D

603.5-MAZZ.doc

| | | |
|--|-----------------------------------|----------------------------------|
| Report for 06-05– 2021 | | |
| <i>Committee decision: AS/AM/D</i> | <i>Committee Vote at Meeting:</i> | <i>Committee Vote on Ballot:</i> |
| REPORT OF HEARING: | | |
| Modification (if any): | | |
| Committee Reason: | | |
| PUBLIC COMMENT- FIRST DRAFT: | | |
| Proponent: | | |
| Desired Action: | | |
| Modification: | | |
| Reason: | | |
| <i>Committee decision: AS/AM/D</i> | <i>Committee Vote at Meeting:</i> | <i>Committee Vote on Ballot:</i> |
| REPORT OF HEARING – FIRST DRAFT | | |
| Modification (if any): | | |
| Committee Reason: | | |
| PUBLIC COMMENT- SECOND DRAFT: | | |
| Proponent: | | |
| Desired Action: | | |
| Modification: | | |
| Reason: | | |
| <i>Committee decision: AS/AM/D</i> | <i>Committee Vote at Meeting:</i> | <i>Committee Vote on Ballot:</i> |
| FINAL ACTION: | | |
| Modification (if any): | | |
| Committee Reason: | | |

06-06 – 2021
603.5

Proponent: Gene Boecker, Code Consultants, Inc.

Add new text as follows:

SECTION 603
TOILET AND BATHING ROOMS

603.5 Diaper changing tables. Diaper changing tables shall comply with Sections 309 and 902 and shall not be located within a toilet compartment.

REASON: It makes no sense to allow this combination. A person needing to use the water closet should not have to wait until the baby is changed and people are out of the compartment. Although the time for both activities may be somewhat similar there is no reason why the location of the diaper changing table should add to the possibility that someone is in the accessible compartment.

Conversely, it is equally unreasonable to ask for someone to stand by, holding a baby who needs changed and wait for someone to finish using the toilet compartment. This is a reasonable proposal and should be included in the standard.

Committee Action: AS AM D

603.5-BOECKER.doc

| | | |
|--|-----------------------------------|----------------------------------|
| Report for 06-06– 2021 | | |
| <i>Committee decision: AS/AM/D</i> | <i>Committee Vote at Meeting:</i> | <i>Committee Vote on Ballot:</i> |
| REPORT OF HEARING: | | |
| Modification (if any): | | |
| Committee Reason: | | |
| PUBLIC COMMENT- FIRST DRAFT: | | |
| Proponent: | | |
| Desired Action: | | |
| Modification: | | |
| Reason: | | |
| <i>Committee decision: AS/AM/D</i> | <i>Committee Vote at Meeting:</i> | <i>Committee Vote on Ballot:</i> |
| REPORT OF HEARING – FIRST DRAFT | | |
| Modification (if any): | | |
| Committee Reason: | | |
| PUBLIC COMMENT- SECOND DRAFT: | | |
| Proponent: | | |
| Desired Action: | | |
| Modification: | | |
| Reason: | | |
| <i>Committee decision: AS/AM/D</i> | <i>Committee Vote at Meeting:</i> | <i>Committee Vote on Ballot:</i> |
| FINAL ACTION: | | |
| Modification (if any): | | |
| Committee Reason: | | |

06-07 – 2021

603.6

Proponent: Kimberly Paarlberg, International Code Council

Revise text as follows:

SECTION 603 TOILET AND BATHING ROOMS

603.6 Operable parts. Operable parts on at least one towel dispensers ~~and~~ or hand dryers serving lavatories ~~complying with Section 606~~ shall comply with Table 603.6.

**TABLE 603.6
MAXIMUM REACH DEPTH AND HEIGHT**

| | | | | | | |
|-----------------------------|------------------------|------------------------|------------------------|------------------------|-----------------------|-----------------------|
| Maximum Reach Depth | 0.5 inch (13 mm) | 2 inches (51 mm) | 5 inches (125 mm) | 6 inches (150 mm) | 9 inches (230 mm) | 11 inches (280 mm) |
| Maximum Reach Height | 48 inches (1220 mm) | 46 inches (1170 mm) | 42 inches (1065 mm) | 40 inches (1015 mm) | 36 inches (915 mm) | 34 inches (865 mm) |

REASON: The intent of this proposal is a coordination between this requirement typical minimum requirements in a toilet room.

Table 603.6 effectively does not allow for a towel dispenser or hand dryer to be located over a counter. Best/common design practice is to now make all lavatories in a bathroom comply with Section 606. By changing this required to say at least one towel dispense and hand dryers has to meet the reach depths, that allows for other towel dispensers to be located over the counters. Thus Little People of America will always have access to at least one, and other towel dispensers can be located over the lavatories. This would be consistent with the typical requirement for ‘at least one’ of other items in the toilet room. This would also allow for the reach in style of hand dryers is there was an accessible feature in the room (which I do not know how to make accessible0. There is even a kind of hand dryer now that is in the lavatory.



Example of one towel dispenser meeting table and one not.



Example of reach in hand dryer.



Hand dryer in the lavatory.

REASON: The intent of this proposal is to allow for doors to be locked up at night by business owners and to have options for security locking systems. Section 404.1 was revised last cycle to consolidate the exceptions for locks used for security purposes. By changing this to ‘security personnel’ I am hearing the interpretation that a bank can be locked down by the guard, but not by any of the staff, because they are not ‘security personnel’. This is an issue for a lot of different types of spaces. While I don’t want to forgive all items like we do in 404.1, I want to at least allow security locks on the doors to be outside of the reach since this is not ‘normal use’. This allowance should be allow for manual and automatic doors. This is consistent with IBC Section 1010.2.3.

Committee Action: AS AM D

603.6-PAARLBERG.doc

| Report for 06-07- 2021 | | |
|-------------------------------------|-----------------------------------|----------------------------------|
| <i>Committee decision: AS/AM/D</i> | <i>Committee Vote at Meeting:</i> | <i>Committee Vote on Ballot:</i> |
| REPORT OF HEARING: | | |
| Modification (if any): | | |
| Committee Reason: | | |
| PUBLIC COMMENT- FIRST DRAFT: | | |
| Proponent: | | |
| Desired Action: | | |
| Modification: | | |
| Reason: | | |

| | | |
|--|-----------------------------------|----------------------------------|
| Report for 06-07- 2021 | | |
| <i>Committee decision: AS/AM/D</i> | <i>Committee Vote at Meeting:</i> | <i>Committee Vote on Ballot:</i> |
| REPORT OF HEARING – FIRST DRAFT | | |
| Modification (if any): | | |
| Committee Reason: | | |
| PUBLIC COMMENT- SECOND DRAFT: | | |
| Proponent: | | |
| Desired Action: | | |
| Modification: | | |
| Reason: | | |
| <i>Committee decision: AS/AM/D</i> | <i>Committee Vote at Meeting:</i> | <i>Committee Vote on Ballot:</i> |
| FINAL ACTION: | | |
| Modification (if any): | | |
| Committee Reason: | | |

06-08 – 2021

603.6

Proponent: Kyle Thompson, Plumbing Manufacturers International (PMI)

Revise as follows:

SECTION 603 TOILET AND BATHING ROOMS

603.6 Operable parts. Operable parts on one towel dispensers ~~and~~ or one hand dryers in each toilet or bathing room serving lavatories complying with Section 606 shall comply with Table 603.6.

**TABLE 603.6
MAXIMUM REACH DEPTH AND HEIGHT**

| | | | | | | |
|-----------------------------|------------------------|------------------------|------------------------|------------------------|-----------------------|-----------------------|
| Maximum Reach Depth | 0.5 inch (13 mm) | 2 inches (51 mm) | 5 inches (125 mm) | 6 inches (150 mm) | 9 inches (230 mm) | 11 inches (280 mm) |
| Maximum Reach Height | 48 inches (1220 mm) | 46 inches (1170 mm) | 42 inches (1065 mm) | 40 inches (1015 mm) | 36 inches (915 mm) | 34 inches (865 mm) |

REASON: This proposed change clarifies that only one towel dispenser or hand dryer must meet the requirements of the table. The current text could apply that every towel dispenser or hand dryer in a toilet or bathing room must comply with Table 603.6. This would be consistent with the other accessible requirements for plumbing fixtures and fixture fittings in a public bathroom.

Committee Action: AS AM D

603.6-THOMPSON.doc

| | | |
|--|-----------------------------------|----------------------------------|
| Report for 06-08– 2021 | | |
| <i>Committee decision: AS/AM/D</i> | <i>Committee Vote at Meeting:</i> | <i>Committee Vote on Ballot:</i> |
| REPORT OF HEARING: | | |
| Modification (if any): | | |
| Committee Reason: | | |
| PUBLIC COMMENT- FIRST DRAFT: | | |
| Proponent: | | |
| Desired Action: | | |
| Modification: | | |
| Reason: | | |
| <i>Committee decision: AS/AM/D</i> | <i>Committee Vote at Meeting:</i> | <i>Committee Vote on Ballot:</i> |
| REPORT OF HEARING – FIRST DRAFT | | |
| Modification (if any): | | |
| Committee Reason: | | |
| PUBLIC COMMENT- SECOND DRAFT: | | |
| Proponent: | | |
| Desired Action: | | |
| Modification: | | |
| Reason: | | |
| <i>Committee decision: AS/AM/D</i> | <i>Committee Vote at Meeting:</i> | <i>Committee Vote on Ballot:</i> |
| FINAL ACTION: | | |
| Modification (if any): | | |
| Committee Reason: | | |

06-09 – 2021

603.6

Proponent: Gene Boecker, Code Consultants, Inc.

Revise as follows:

SECTION 603 TOILET AND BATHING ROOMS

603.6 Operable parts. Operable parts and openings on towel dispensers and hand dryers serving lavatories complying with Section 606 shall comply with Table 603.6. Openings on seat cover dispensers serving accessible water closets complying with 604 shall be located within the reach ranges in accordance with Section 308.

**TABLE 603.6
MAXIMUM REACH DEPTH AND HEIGHT**

| | | | | | | |
|-----------------------------|------------------------|------------------------|------------------------|------------------------|-----------------------|-----------------------|
| Maximum Reach Depth | 0.5 inch (13 mm) | 2 inches (51 mm) | 5 inches (125 mm) | 6 inches (150 mm) | 9 inches (230 mm) | 11 inches (280 mm) |
| Maximum Reach Height | 48 inches (1220 mm) | 46 inches (1170 mm) | 42 inches (1065 mm) | 40 inches (1015 mm) | 36 inches (915 mm) | 34 inches (865 mm) |

REASON: Sometimes there are no parts of accessible elements that are “operable” so “openings for access to” is included in the sentence. Typically, paper towel dispensers have no operable parts; only the place where the towel is extracted from the dispenser.

Seat cover dispensers are added to this list since that are also elements provided within toilet rooms that should be within reach range. And, like paper towel dispensers, they require grasping and pulling to extract the seat cover from the dispenser. Therefore, they should be regulated the same as any other, similar dispenser.

The phrase “serving lavatories” isn’t needed and could be counterproductive. How can a person know if the hand dryer is serving a lavatory? It is it serving a kitchen sink the need is the same. If it is serving some other function, then it is not a hand dryer. This also eliminates the confusion for what to do when the diaper changing table has a paper towel dispenser associated with it. It too should be within reach range.

The exception is added because the reach range provisions are primarily for wheelchair concerns and the wheelchair accessible compartment affords those needs. Also, the seat cover dispenser is often located on the rear wall of the ambulatory compartment because there is so little other available real estate within the compartment for things to be located.

Committee Action: AS AM D

603.6-BOECKER.doc

| | | |
|--|-----------------------------------|----------------------------------|
| Report for 06-09- 2021 | | |
| <i>Committee decision: AS/AM/D</i> | <i>Committee Vote at Meeting:</i> | <i>Committee Vote on Ballot:</i> |
| REPORT OF HEARING: | | |
| Modification (if any): | | |
| Committee Reason: | | |
| PUBLIC COMMENT- FIRST DRAFT: | | |
| Proponent: | | |
| Desired Action: | | |
| Modification: | | |
| Reason: | | |
| <i>Committee decision: AS/AM/D</i> | <i>Committee Vote at Meeting:</i> | <i>Committee Vote on Ballot:</i> |
| REPORT OF HEARING – FIRST DRAFT | | |
| Modification (if any): | | |
| Committee Reason: | | |
| PUBLIC COMMENT- SECOND DRAFT: | | |
| Proponent: | | |
| Desired Action: | | |
| Modification: | | |
| Reason: | | |
| <i>Committee decision: AS/AM/D</i> | <i>Committee Vote at Meeting:</i> | <i>Committee Vote on Ballot:</i> |
| FINAL ACTION: | | |
| Modification (if any): | | |
| Committee Reason: | | |

06-10 – 2021
603.7(New)

Proponent: Marsha Mazz, representing United Spinal Association

Add new text as follows:

SECTION 603
TOILET AND BATHING ROOMS

603.7 Dispensers for Accessories. Where provided, at least one of each type of dispenser for accessories shall be located on an accessible route and the operable parts of tth dispenser shall comply with Section 309.

REASON: We are proposing to add this new section to address dispensers typically provided in toilet and bathing rooms, such as those for feminine hygiene or other products for personal care. In our work, surveying properties for compliance with ICC A117.1, we find that installers frequently overlook accessibility to these amenities.

Committee Action: AS AM D

603.7-MAZZ.doc

| | | |
|--|-----------------------------------|----------------------------------|
| Report for 06-10– 2021 | | |
| <i>Committee decision: AS/AM/D</i> | <i>Committee Vote at Meeting:</i> | <i>Committee Vote on Ballot:</i> |
| REPORT OF HEARING: | | |
| Modification (if any): | | |
| Committee Reason: | | |
| PUBLIC COMMENT- FIRST DRAFT: | | |
| Proponent: | | |
| Desired Action: | | |
| Modification: | | |
| Reason: | | |
| <i>Committee decision: AS/AM/D</i> | <i>Committee Vote at Meeting:</i> | <i>Committee Vote on Ballot:</i> |
| REPORT OF HEARING – FIRST DRAFT | | |
| Modification (if any): | | |
| Committee Reason: | | |
| PUBLIC COMMENT- SECOND DRAFT: | | |
| Proponent: | | |
| Desired Action: | | |
| Modification: | | |
| Reason: | | |
| <i>Committee decision: AS/AM/D</i> | <i>Committee Vote at Meeting:</i> | <i>Committee Vote on Ballot:</i> |
| FINAL ACTION: | | |
| Modification (if any): | | |
| Committee Reason: | | |

06-11 – 2021
603.7(New)

Proponent: Gene Boecker, Code Consultants, Inc.

Add new text as follows:

SECTION 603
TOILET AND BATHING ROOMS

603.7 Benches. Where shower rooms include space for changing clothes, accessible shower rooms shall include a bench complying with Section 903. Where benches are located within shower compartments, the accessible bench shall be provided within the accessible shower compartment.

REASON: To get into a shower and back into public spaces requires changing clothes. This is why the provisions in Section 803 were created because Dressing, Fitting and Locker rooms all involve changing clothes. Unfortunately, the way the current text is written, if a group locker room is provided with a Men’s shower room and a Women’s shower room, the accessible bench can comply and be located in the locker area, outside privacy separations. The bench should be provided where other benches are provided. If there are benches in the shower room, an accessible bench should be provided in the accessible shower room or compartment.

Committee Action: AS AM D

603.7-BOECKER.doc

| | | |
|--|-----------------------------------|----------------------------------|
| Report for 06-11– 2021 | | |
| <i>Committee decision: AS/AM/D</i> | <i>Committee Vote at Meeting:</i> | <i>Committee Vote on Ballot:</i> |
| REPORT OF HEARING: | | |
| Modification (if any): | | |
| Committee Reason: | | |
| PUBLIC COMMENT- FIRST DRAFT: | | |
| Proponent: | | |
| Desired Action: | | |
| Modification: | | |
| Reason: | | |
| <i>Committee decision: AS/AM/D</i> | <i>Committee Vote at Meeting:</i> | <i>Committee Vote on Ballot:</i> |
| REPORT OF HEARING – FIRST DRAFT | | |
| Modification (if any): | | |
| Committee Reason: | | |
| PUBLIC COMMENT- SECOND DRAFT: | | |
| Proponent: | | |
| Desired Action: | | |
| Modification: | | |
| Reason: | | |
| <i>Committee decision: AS/AM/D</i> | <i>Committee Vote at Meeting:</i> | <i>Committee Vote on Ballot:</i> |
| FINAL ACTION: | | |
| Modification (if any): | | |
| Committee Reason: | | |

06-12 – 2021

604.2, 604.11.2

Proponent: Marsha Mazz, United Spinal Association

Revise as follows:

SECTION 604

WATER CLOSETS AND TOILET COMPARTMENTS

604.2 Location. The water closet shall be located with a wall or partition to the rear and to one side. The centerline of the water closet shall be 16 inches (405 mm) minimum and 18 inches (455 mm) maximum from the side wall or partition. In addition, where a floor mounted water closet is provided, the centerline of the drain connection shall be 10 inches minimum and 14 inches maximum measured from the rear wall. Water closets located in the ambulatory accessible toilet compartments specified in Section 604.10 shall have the parallel centerline of the water closet 17 inches minimum and 19 inches maximum from the side wall or partition.

604.11 Water closets and toilet compartments for children's use.

604.11.2 Location. The water closet shall be located with a wall or partition to the rear and to one side. The centerline of the water closet shall be 12 inches (305 mm) minimum and 18 inches (455 mm) maximum from the side wall or partition. In addition, where a floor mounted water closet is provided, the centerline of the drain connection shall be 10 inches minimum and 14 inches maximum measured from the rear wall. Water closets located in ambulatory accessible toilet compartments specified in Section 604.10 shall be located as specified in Section 604.2.

REASON: Our Accessibility Services staff occasionally encounter a floor mounted water closet that is set far away from the back wall. Because clearances surrounding water closets are measured from the walls (Sections 604.3.1 and 604.3.2) this results in less space around the water closet available for transfer and to access to the flush control. A standard rough-in is centered 12 inches from the back wall and would result in the gap between the tank and the wall being approximately $\frac{3}{4}$ inch. Ten and 14 inch rough-ins are sometimes provided. With a rough-in 12 inches from the back wall, an elongated bowl will extend about 30 inches from the wall (see our alternate proposal below). We believe there is sufficient flexibility in the proposed range to accommodate nearly all floor mounted installations.

We consulted with a member of the Committee representing the plumbing industry to develop this proposal. He assured us that plumbers will have no difficulty identifying the centerline of the rough-in even once the fixture is installed because it is visible in the vitreous china. However, if the committee is not comfortable with dimensioning to the centerline of the drain connection, we would accept a friendly amendment to modify the proposal as follows:

604.2 Location. The water closet shall be located with a wall or partition to the rear and to one side. The centerline of the water closet shall be 16 inches (405 mm) minimum and 18 inches (455 mm) maximum from the side wall or partition. In addition, where a floor mounted water closet is provided, the front lip of the bowl shall extend a maximum of 31 inches from the rear

wall. Water closets located in the ambulatory accessible toilet compartments specified in Section 604.10 shall have the parallel centerline of the water closet 17 inches minimum and 19 inches maximum from the side wall or partition.

Committee Action: AS AM D

604.2-MAZZ.doc

| | | |
|--|-----------------------------------|----------------------------------|
| Report for 06-12- 2021 | | |
| <i>Committee decision: AS/AM/D</i> | <i>Committee Vote at Meeting:</i> | <i>Committee Vote on Ballot:</i> |
| REPORT OF HEARING: | | |
| Modification (if any): | | |
| Committee Reason: | | |
| PUBLIC COMMENT- FIRST DRAFT: | | |
| Proponent: | | |
| Desired Action: | | |
| Modification: | | |
| Reason: | | |
| <i>Committee decision: AS/AM/D</i> | <i>Committee Vote at Meeting:</i> | <i>Committee Vote on Ballot:</i> |
| REPORT OF HEARING – FIRST DRAFT | | |
| Modification (if any): | | |
| Committee Reason: | | |
| PUBLIC COMMENT- SECOND DRAFT: | | |
| Proponent: | | |
| Desired Action: | | |
| Modification: | | |
| Reason: | | |
| <i>Committee decision: AS/AM/D</i> | <i>Committee Vote at Meeting:</i> | <i>Committee Vote on Ballot:</i> |
| FINAL ACTION: | | |
| Modification (if any): | | |
| Committee Reason: | | |

06-13 – 2021

604.2, 604.3.1, 604.5, 604.9.6, 604.10.1, 604.11.5, 604.12(New), 607.1, 607.2, 607.9(New), 607.9.1(New), 607.9.2(New), 608.1, 608.9(New), 608.9.1(New), 608.9.2(New), 608.9.3(New), 609, 609.1, 609.2.1, 609.2.2, 609.3, 609.4, 609.4.1, 609.4.2, 609.5, 609.6, 609.7, 609.8, 609.9(New)

Proponent: Jake Pauls, Jake Pauls Consulting Service, representing self

Revise as follows:

CHAPTER 6 PLUMBING ELEMENTS AND FACILITIES

SECTION 601 GENERAL

601.1 Scope. Plumbing elements and facilities required to be accessible by scoping provisions adopted by the administrative authority shall comply with the applicable provisions of Chapter 6.

SECTION 604 WATER CLOSETS AND TOILET COMPARTMENTS

604.1 General. Water closets and toilet compartments shall comply with Section 604. Compartments containing more than one plumbing fixture shall comply with Section 603. Wheelchair accessible compartments shall comply with Section

604.2 Location. The water closet shall be located with a wall or partition to the rear and to one side. The centerline of the water closet shall be [6 inches (405 mm) minimum and 18 inches (455 mm) maximum from the side wall or partition. Water closets located in ambulatory accessible toilet compartments specified in Section 604.10 shall have the centerline of the water closet 17 inches (430 mm) minimum and 19 inches (485 mm) maximum from the side wall or partition.

Exception: Ambulatory accessible water closets complying with Section 604.12.

604.3 Clearance.

604.3.1 Clearance width. Clearance around a water closet shall be 60 inches (1525 mm) minimum in width, measured perpendicular from the sidewall.

Exception: Ambulatory accessible water closets complying with Section 604.12.

604.5 Grab bars and stanchions. Grab bars and stanchions for water closets shall comply with Section 609 and shall be provided in accordance with Sections 604.5.1 and 604.5.2. Grab bars shall be provided on the rear wall and on the side wall closest to the water closet.

Exceptions:

1. Grab bars and stanchions shall not be required to be installed in a toilet room for a single occupant, accessed only through a private office and not for common use or public use, provided reinforcement has been installed in walls and located so as to permit the installation of grab bars complying with Section 604.5.
2. In detention or correction facilities, grab bars and stanchions shall not be required to be installed in housing or holding cells or rooms that are specially designed without protrusions for purposes of suicide prevention.
3. Ambulatory accessible water closets served by vertical stanchions complying with Section 604.12.

604.9 Wheelchair accessible toilet compartments.

604.9.6 Grab bars and stanchions. Grab bars and stanchions shall comply with Section 609. For ambulatory accessible toilet compartments, side wall grab bars complying with Section 604.5.1 located on the wall closest to the water closet, and a rear wall grab bar complying with Section 604.5.2, shall be provided.

604.10 Ambulatory accessible toilet compartments.

604.10.1 Ambulatory accessible compartments shall comply with Section 604.10. Ambulatory accessible water closets shall comply with 604.12.

Exception: Water closets and toilet compartments primarily for children's use shall be permitted to comply with Section 604.11 as applicable.

604.11 Water closets and toilet compartments for children's use.

604.11.5 Grab bars and stanchions. Grab bars and stanchions for water closets shall comply with Section 604.5.

604.12 Grab bars or stanchions for ambulatory accessible water closets. A minimum of one grab bar or vertical stanchion, complying with Section 609 shall be provided in front of and to the side of the water closet such that the grab bar or stanchion center line is within 28 in (710 mm), measured horizontally, reachable distance from the center of the front of the water closet. The grab bar or vertical stanchion shall graspable at a height, above the finished floor level, of 36 inches (915 mm) minimum and 60 inches (1525 mm) maximum. Such grab bar or stanchion shall be permitted to serve also for a required vertical grab bar or vertical stanchion, for an adjoining bathtub or shower, complying with Sections 607 or 608, provided that it is graspable at a height, above the finished floor level, of 36 inches (915 mm) minimum and 60 inches (1525 mm) maximum.

SECTION 607 BATHTUBS

607.1 General. Bathtubs shall comply with Section 607.

Exception: Ambulatory accessible bathtubs shall comply with Sections 607.2, 607.8 and

607.9.

607.2 Clearance. A clearance in front of bathtubs extending the length of the bathtub and 30 inches (760 mm) minimum in depth shall be provided. Where a permanent seat is provided at the head end of the bathtub, the clearance shall extend 12 inches (305 mm) minimum beyond the wall at the head end of the bathtub.

Exception: The clearance in front of an ambulatory accessible bathtub, complying with Section 607.8, shall extend half the length, minimum, of the bathtub.

607.9 Ambulatory Accessible Bathtubs Grab Bars or Stanchions. One grab bar or stanchion, minimum, shall be provided on the access side or an end wall (head end or control end) adjacent to the access side in accordance with one of the options in Section 607.9.1. This grab bar or stanchion shall be usable from the clear floor space required by Section 607.2. A second grab bar or stanchion, minimum, shall be provided on the non-access side (back wall) of the bathtub in accordance one of the options in Section 607.9.2.

607.9.1 Access side, or adjacent end, grab bar or stanchion options. The end wall vertical grab bar shall extend from 24 inches (610 mm) maximum to 60 inches (1524 mm) minimum above the finished floor. To avoid interference between a shower curtain rod or track for an access side set of sliding doors, the vertical grab bar on one end wall shall be provided between 9 inches (230 mm) and 12 inches (305 mm) horizontally, from the centerline of the grab bar to the exterior side of the bathtub. A second set of options for the access side vertical grab bar or stanchion shall have its centerline 2 inches (50 mm) maximum, measured horizontally, inside the exterior wall to 6 inches (150 mm) outside the exterior bathtub wall. The stanchion option, shall extend from the bathroom ceiling to either the floor or, with a steel bathtub, to the bathtub rim.

607.9.2. Non-access side grab bar or stanchion options. A horizontal or diagonal grab bar or a horizontal stanchion shall be provided on the back wall, or non-access side of each bathtub. Grab bars shall be 36 inches (915 mm) long, minimum. The centerline of the horizontal grab bar or stanchion, as well as the lower end of a diagonal grab bar, shall be 8 inches (200 mm) minimum and 10 inches maximum above the bathtub rim. The upper end of the diagonal grab bar shall extend to 12 inches (305 mm), maximum, horizontal, to the control end wall. Diagonal grab bar slope shall be 30 degrees minimum to 60 degrees maximum to horizontal. The horizontal stanchion shall extend to each of the end walls. The horizontal grab bar shall be centered between the end walls.

Exception: For relatively deep bathtubs, where the required centerline height for the horizontal grab bar exceeds 30 inches (762 mm) above the adjacent finished floor elevation, this height shall be permitted to be 3 inches (76 mm), maximum, from its centerline to either the bathtub rim height or the top of the deck for the bathtub installation which can also be the base into which the grab bar is fixed.

SECTION 608 SHOWER COMPARTMENTS

608.1 General. Shower compartments shall comply with Section 608.

Exception: Ambulatory accessible showers shall comply with Sections 608.8 and 608.9.

608.9 Grab bar or stanchion at the access to showers. A grab bar or stanchion shall be provided for the shower in accordance with Section 608.9.1, 608.9.2 or 608.9.3. Location dimensions in Section 608.9 are to the centerline of the grab bar or stanchion at the fixed end of its graspable tubing component.

608.9.1 At shower exterior. A vertical grab bar or stanchion shall be provided outside of the shower compartment, adjacent to the access opening within 28 inches (710 mm) of the center of the shower entrance opening width. The grab bar or stanchion shall extend from 24 inches (610 mm) maximum to 60 inches (1524 mm) minimum, measured vertically above the finished floor.

608.9.2 For smaller shower interior. For showers with interior plan dimensions, including diagonally between corners, 51 inches (1295 mm) maximum, a vertical grab bar shall be provided, interior to the shower compartment, 30 inches (762 mm) maximum, measured horizontally from the control wall on the side closest to the access opening. The grab bar shall extend from 24 inches (610 mm) maximum to 60 inches (1524 mm) minimum, measured vertically above the finished floor outside the shower.

608.9.3 For larger shower interior. For showers with any interior plan dimensions exceeding 51 inches (1295 mm), including diagonally between corners, a grab bar or stanchion located interior to the shower compartment shall be 28 inches (710 mm) maximum, measured horizontally to the access to the shower. If oriented vertically, the grab bar or stanchion shall extend from 24 inches (610 mm) maximum to 60 inches (1524 mm) minimum, measured vertically above the finished floor outside the shower. If oriented horizontally, the grab bar or stanchion shall have a length 36 inches (915mm) minimum at a height, measured vertically above the finished floor outside the shower, of 48 inches (1220 mm) minimum and 60 inches (1524 mm) maximum.

SECTION 609

GRAB BARS AND STANCHIONS

609.1 General. Grab bars and stanchions in toilet or bathing facilities shall comply with Section 609.

609.2 Cross section. Grab bars and stanchions shall have a cross section complying with Section 609.2.1 or 609.2.2.

609.2.1 Circular cross section. Grab bars and stanchions with a circular cross section shall have an outside diameter of 1 1/4 inches (32 mm) minimum and 2 inches (51 mm) maximum.

609.2.2 Noncircular cross section. Grab bars and stanchions with a noncircular cross section shall have a cross section dimension of 2 inches (51 mm) maximum, and a perimeter dimension of 4 inches (100 mm) minimum and 4.8 inches (120 mm) maximum.

Corner radius shall be 1/4 inch (6 mm) minimum.

609.3 Spacing. The space between the wall and the grab bar or stanchion shall be 1 1/2 inches (38 mm) minimum. The space between the grab bar or stanchion and projecting objects below and at the ends of the grab bar or stanchion shall be 1 1/2 inches (38 mm) minimum. The space between the grab bar or stanchion and projecting objects above the grab bar or stanchion shall be 12 inches (305 mm) minimum.

Exceptions:

1. The space between the grab bars or stanchions and shower controls, shower fittings, and other grab bars or stanchions above the grab bar or stanchion shall be permitted to be 1 1/2 inches (38 mm) minimum.
2. Recessed dispensers projecting from the wall 1/4 inch (6.4 mm) maximum measured from the face of the dispenser and complying with Section 604.7 shall be permitted within the 12-inch (305 mm) space above and the 1 1/2-inch (38 mm) spaces below and at the ends of the grab bar or stanchion.

609.4 Position of grab bars and stanchions.

609.4.1 General. Grab and stanchions shall be installed in a horizontal position, 33 inches (840 mm) minimum and 36 inches (915 mm) maximum above the floor measured to the top of the gripping surface or shall be installed as required by Items I through 3.

1. The lower grab bar or stanchion on the back wall of a bathtub shall comply with Section 607.4.1.1, ~~or 607.4.2.1~~ or 607.9.2.
2. Vertical grab bars and stanchions shall comply with Sections 604.5.1.2, 604.9.6, 604.12, 607.4.1.2.2, 607.4.2.2, 607.9, and 608.3.1.2 and 608.9.
3. Grab bars at water closets primarily for children's use shall comply with Section 609.4.2.

609.4.2 Position of children's grab bars and stanchions. At water closets primarily for children's use complying with Section 604.11, grab bars and stanchions shall be installed in a horizontal position 18 inches (455 mm) minimum and 27 inches (685 mm) maximum above the floor measured to the top of the gripping surface. A vertical grab bar or stanchion shall be mounted with the bottom of the bar or stanchion located between 21 inches (535 mm) minimum and 30 inches (760 mm) maximum above the floor and with the centerline of the bar or stanchion located between 34 inches (865 mm).

609.5 Surface hazards. Grab bars plus stanchions and any wall or other surfaces adjacent to grab bars and stanchions shall be free of sharp or abrasive elements. Edges shall be rounded.

609.6 Fittings. Grab bars and stanchions shall not rotate within their fittings.

609.7 Installation and configuration. Grab bars and stanchions shall be installed in any manner that provides a gripping surface at the locations specified in this standard and does not obstruct the clear floor space. Horizontal and vertical grab bars and stanchions shall be permitted to be separate bars, a single piece bar, or combination thereof.

609.8 Structural strength. Allowable stresses shall not be exceeded for materials used where a vertical or horizontal force of 250 pounds (1112 N) is applied at any point on the grab bar, stanchion, fastener mounting device, or supporting structure.

609.9 Durability in presence of water. Grab bars and stanchions, including mountings, shall be installed and sealed, or provided with permanent drainage such as weep holes for components subject to water intrusion, to protect structural elements from moisture.

REASON:

Preliminary Justification for Proposal on Ambulatory Accessible Toilets, Bathtubs and Showers — Submitted by Jake Pauls
bldguse@aol.com & www.bldguse.com

Preamble. Two points to make right at the beginning.

First, the task of spearheading the A117 Committee consideration of usability of bathing, showering and toileting facilities, going under the label of “ambulatory accessible,” is far beyond the capability of the proponent. In his 79th year, the proponent has seen the entire range of toileting and bathing facilities in his lifetime. Indeed, the first four years of his life took place in homes that totally lacked built-in facilities for toileting, bathing and showering which now take up the second longest chapter in A117.1. Thus it is ironic that, later in life, he has seen the complete spectrum, right up to occupying (for a couple of nights) the Presidential Suite of one of the world’s largest hotel chain’s properties, in addition to enjoying Japanese toileting and bathing facilities (mixing the ultra modern with the most traditional plumbing in Japan).

Second, A117.1—now in its seventh decade of life (just a bit over a decade younger than the proponent)—is now being asked to address not just the visible part of the iceberg that figuratively makes up this preeminent accessibility/usability standard’s Chapter 6, but the huge part that has been mostly out of sight, below the surface with this “iceberg.” All parts of the “iceberg” are important and the proponent asks for patience on the part of his fellow A117 Committee members as they are now being asked to help determine what we should know about—and *act on*—the largely uninvestigated topic of ambulatory, bipedal, use of facilities to which we have now devoted six decades of attention to largely wheel-based access and use.

This scope change is combined with a technical expansion to include the older of the two “Points of Control” we have come to rely upon. That is recognition, in A117.1, of **stanchions** which predated grab bars—*by perhaps a century*—and which are (in the proponent’s professional opinion) often superior to grab bars in function and aesthetics.

Foundations. Connecting both wheeled and bipedal ambulation-based access to bathing, showering and toileting is the science and technology of ergonomics and, in a secondary way, public health. As a Certified Professional Ergonomist (like a few others on the A117 Committee) and now the longest serving representative on several ICC and NFPA committees formally representing the American Public Health Association, the proponent brings important perspectives to our (now virtual) deliberation table. These perspectives are not sufficient to achieve acceptance of this proposal. This will take a major effort.

Possible Need for a Task Group or Work Group. The proponent’s first

recommendation is that a task/work group be formed of a small number of interested, informed members of the Committee (and a few experts from outside the Committee) to address the foregoing change proposal and this feeble justification statement, albeit accessible and vital to all with vision—both in functional and cerebral capabilities—to move the next edition of A117 to fill an important niche.

This niche, on bathing, showering and toileting, already is mostly addressed by another ANSI standard with a safety motivation (in NFPA 101); now we need to address such facilities with a usability focus in the most widely respected ANSI standard on usability—A117.1. (*The ball is now in our court and, like in a game, we need to play with some common rules, namely those set by ANSI to avoid contradictions among standards addressing similar issues.*) NFPA adopted requirements for safety of bathtubs and showers in its 2018 editions of NFPA 101 and 5000, updating the terminology to include “stanchions” in its 2021 editions. Both NFPA and ICC-ANSI A117.1 share a concern for ambulation of facility users, the latter recognizing the a large proportion of people with disabilities are, indeed, ambulatory and the former recognizing that a significant number of people requiring safety in buildings are not ambulatory.

Option If A117 Committee Does Nothing. Unless ICC wishes to reference NFPA 101 in A117.1 for requirements on grab bars and stanchions for usability as well as safety, A117.1 needs to develop its own requirements covering ambulatory accessible water closets, bathtubs and showers.

Basic Tools (Including Visual Aids). Fortunately, the tools we will employ in this task are largely identified. The build upon basic ergonomic concepts such as anthropometry, reach capabilities, balance (as affected by location of ones Center of Mass—COM), and points of control. At the beginning of the Justification you will be asked to view a few PowerPoint presentations that provide centrally important information forming the foundation for the proposed new language for A117.1 requirements in Chapter 6, Plumbing Elements and Facilities. These were developed only in recent days and there is not yet an audio description of the images publicly available. Sincere apologies to those not able to see the images. We will work on that, collectively, in coming months as a video, with descriptive audio track, is produced on this topic.

Related Efforts. Note that this topic, at least of bathing and showering, is being currently addressed by three organizations in relation to several documents, that will be published in the mid 2020s. They are:

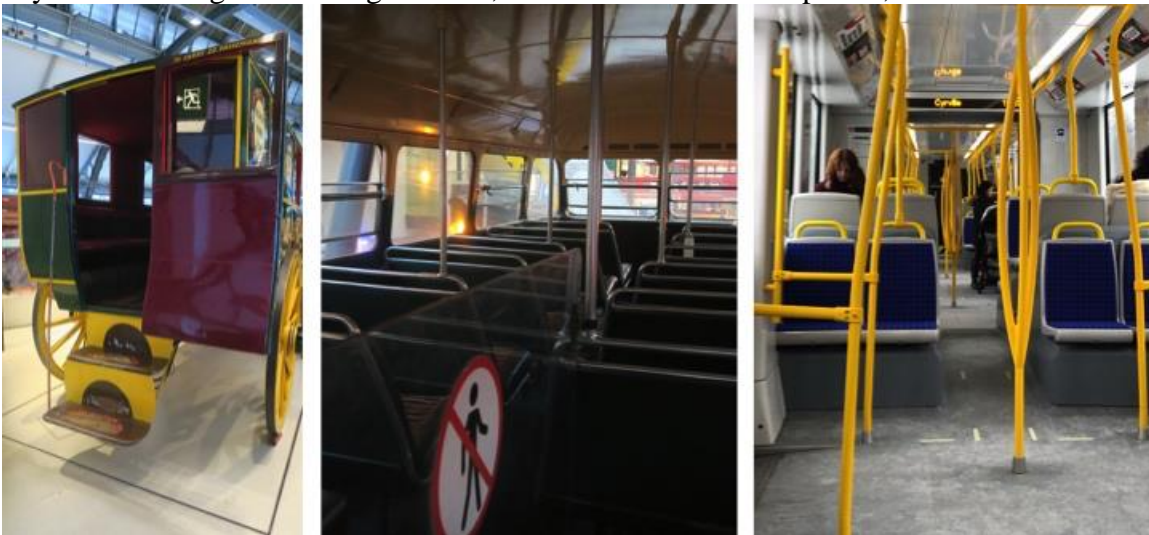
- International Code Council (for the *International Building Code* and the *International Residential Code*)
- National Fire Protection Assn. (for the *Life Safety Code* and the *NFPA Building Construction and Safety Code*)
- Canadian Commission on Building and Fire Codes (for the *National Building Code of Canada*)

Borrowing from Other Deliberations. The proponent of the A117.1 changes is also the lead proponent of changes to all these documents affecting the technical requirements and scoping for all occupancies (with a very few exceptions for some institutional settings). Thus this proposal for A117.1 is an amalgam of several other proposals (dating back to 2007 in the case of one co-proponent’s early proposal in Canada). This will explain any unevenness or inconsistencies (in concepts and terminology) in this proposal for A117.1. *Apologies for this.*

Terminology. We start with terminology in case the ANSI A117 Committee feels we should define what stanchions are (and perhaps what Points of Control are, including those involving use of stanchions). For the following, the proponent borrows freely from proposals and explanatory presentations prepared for other codes/standards developing bodies in the USA and Canada in recent months of 2021.

Stanchion. An often vertical, tubular structure serving as a hand-grasped, point of control that is fixed between separate supporting structures, surfaces or other railings as opposed to being mounted, in cantilever fashion, on walls as occurs with conventional grab bars.

The montage of photographs below represent about two centuries of development of stanchions in the field of transportation vehicle design and use by ordinary people without any formal background in ergonomics, codes/standards development, etc.



The term “*Point of Control*” has a shorter history with the meaning most relevant to bipedal ambulation being the human extremities used for bodily support on underfoot surfaces and various handholds to facilitate safe movement; stationary erect, sitting or other posture; and the states between these activities. We have, potentially, four major points of control: two feet and two hands. Occupational rules such as for safe ladder climbing or descent spell out three points of control are prudent to maintain reasonable safety. Building codes for home stairways are largely based on two points of control in stair descent and ascent, namely one weight-bearing foot and one hand grasping a functional (as opposed to mainly decorative) railing. Our bathtub and shower designs have largely been based on a single point of control—one weight-bearing foot on either a slip resistant surface (far from certain with bathing plus other surfaces and water)—or less than one point of control if the weight-bearing foot slips.

The whole point of the major changes submitted for the A117.1 standard is to add at least one point of control to the single weight-bearing foot in entry to and exiting from a bathtub or shower enclosure. This is truly a very modest change but one that can double the points of control available to bathers. The table below sets out all the options for points of control showing how modest the change is—in merely doubling the single point of control (or less with slippery underfoot conditions) with the proposed additions to the A117.1 standard.

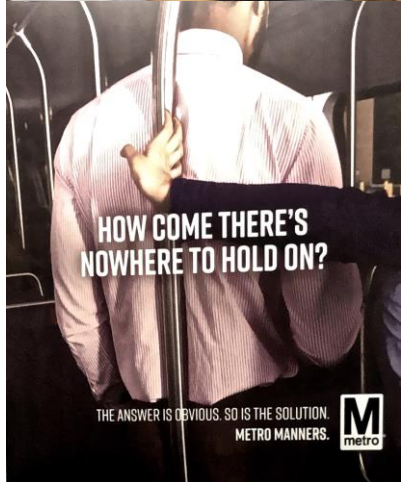
| Number of Points of Control Via Hands or Feet | ≤1 | 1 | 2 | 3 | 3-4 |
|--|----|---|--------|---|-----|
| Standard walker for older adult with altered gait. | | | | | ✓ |
| Occupational settings with risk of worker falls from heights. Also, stairs where users can use two handrails simultaneously, one on each side. | | | | ✓ | |
| <u>Stairs where users have only a single handrail.</u> <i>Grab bar(s) usable for bathtub/shower entry/egress.</i> | | | ✓ ★ | | |
| Bathtubs/showers with slip resistant underfoot surfaces when wet. | | ✓ | | | |
| Bathtubs/showers without slip resistant underfoot surfaces when wet, the common condition currently. | ✓ | | | | |

For toilet use-related (stand-to-sit and sit-to-stand) transfers, both ergonomics and scientifically-established personal preferences are for points of control for each of our two arms/hands to be available. (See the paper, Kennedy, Arcelus, Guitard Goubran, and Sveistrup [2015]. Toilet Grab-Bar Preference and Center of Pressure Deviation During Toilet Transfers in Healthy Seniors, Seniors With Hip Replacements, and Seniors Having Suffered a Stroke. *Assistive Technology: The Official Journal of RESNA*, 27:2, 78-87. The leading preference, from this study, was for two handholds on vertical points of control—e.g., stanchions or grab bars—one on each side, and at the front of the toilet; second preference was for only one such point of control (out of five options including also horizontal, swing-away and diagonal options.)

Based on both the above table and the referenced study, the changes sought in this proposal for A117.1 are modest and well warranted by science and logic that can be understood intuitively by most primates, including humans on committees such as for A117.1 on the basic issues involved with toileting, bathing and showering. The photographic series, below with a century-old trolley, provides a brief story of how effective stanchions are, even for young children encountering steps comparable in height to what is needed to surmount the wall of a typical bathtub; the height depicted here is about 16 inches (400 mm), comparable to what is found in minimum standard (e.g., IRC) permitted stairways for dwelling units—except there is no intermediate step to use as many older people need to do when using stairs (with both feet using every step). Note also the relatively puny grab bar to the woman’s left; it lacks the usefulness of the stanchion.



For a more contemporary transportation facility, albeit pre-Pandemic in crowding, see the very extensive use of stanchions, here captured on the Washington, DC, region Metro subway system. Stanchions are familiar to most people around the world for the postural control and personal space advantages they offer. They even appear in posters on such transit systems, giving social messages about these key features for our comfort and safety. The same message holds for adding stanchions to A117.1: “How come there is nowhere to hold on?”



An important lesson, from the photo sequence above, is that stanchions provide more options for placement and more options for users to choose the points of control they perceive as important to their task and safety. In other words ordinary people, even of young age, are displaying skill in ergonomics (the science and technology of how people utilize things, systems, etc. available to them to perform tasks effectively and safely).

For purposes of this A117.1 proposal, along with grab bars, it should be clear that stanchions are reliable, indeed superior, time-tested means of providing for “points of control” and they provide options for location and length that greatly exceed what conventional grab bars can provide—as they do not rely on walls from which they cantilever. (They can be *between* walls, *between floor and ceiling*, etc.) The illustration below combines all of the stanchion and conventional grab bar options set out in the accompanying detailed re-write of A117.1 Chapter 6, “Plumbing Elements and Facilities,” specifically for **Section 607.9 Ambulatory Accessible Bathtubs Grab Bars or Stanchions**.

All of the eight options are illustrated in the graphic below. The options are in two groups, three options for the one stanchion or grab bar on the non access side or back wall and five options for the one required grab bar or stanchion on the access side (front). At the front, the vertical stanchion has options for placement anywhere along the length of the bathtub (depending on fixture layout in the bathroom and where the clear, half bathtub length area (required by Section 607.2) is located—here in front of the water closet (WC). Here it is shown mid-tub length (where it is mounted on the *steel* tub rim, but could also be floor mounted for other tubs) so it also serves the WC per proposed new Section 604.12 Grab bars or stanchions for ambulatory accessible WC.



607.9 Ambulatory Accessible Bathtubs Grab Bars or Stanchions.

One grab bar or stanchion, minimum, shall be provided on the access side or an end wall (head end or control end) adjacent to the access side in accordance with one of the options in Section 607.9.1. This grab bar or stanchion shall be usable from the clear floor space required by Section 607.2. A second grab bar or stanchion, minimum, shall be

provided on the non-access side (also referred to, where present, as the back wall) of the bathtub in accordance one of the options in Section 607.9.2.

Note the four options for the access side, end wall-mounted grab bar do not permit placing this grab bar where it would interfere with the installed shower curtain rod (or track) or installation of an enclosure system of sliding glass panels for example. Several inches of horizontal dimension are reserved on the end walls for such water control barriers, e.g., a shower curtain, to seal to the end walls. (The most common defect with grab placement the author saw repeatedly in his many stays in hotels around the world was having both the shower curtain and the vertical grab bar competing for the same region of the end wall. The result: during a shower, water ended up leaking to the bathroom floor, in some cases getting into end walls with moldy results.)

Here follow the proposed texts for the bathtub grab bars or stanchions with a graphic below them illustrating the full range of options, including diagonal grab bar slopes.

607.9.1 Access side, or adjacent end, grab bar or stanchion options.

The end wall vertical grab bar shall extend from 24 inches (610 mm) maximum to 60 inches (1524 mm) minimum above the finished floor. To avoid interference between a shower curtain rod or track for an access side set of sliding doors, the vertical grab bar on one end wall shall be provided between 9 inches (230 mm) and 12 inches (305 mm) horizontally, from the centerline of the grab bar to the exterior side of the bathtub. A second set of options for the access side vertical grab bar or stanchion shall have its centerline 2 inches (50 mm) maximum, measured horizontally, inside the exterior wall to 6 inches (150 mm) outside the exterior bathtub wall. The stanchion option, shall extend from the bathroom ceiling to either the floor or, with a steel bathtub, to the bathtub rim.

607.9.2. Non-access side grab bar or stanchion options.

A horizontal or diagonal grab bar or a horizontal stanchion shall be provided on the back wall, or non-access side of each bathtub. Grab bars shall be 36 inches (915 mm) long, minimum. The centerline of the horizontal grab bar or stanchion, as well as the lower end of a diagonal grab bar, shall be 8 inches (200 mm) minimum and 10 inches maximum above the bathtub rim. The upper end of the diagonal grab bar shall extend to 12 inches (305 mm), maximum, horizontal, to the control end wall. Diagonal grab bar slope shall be 30 degrees minimum to 60 degrees maximum to horizontal. The horizontal stanchion shall extend to each of the end walls. The horizontal grab bar shall be centered between the end walls.

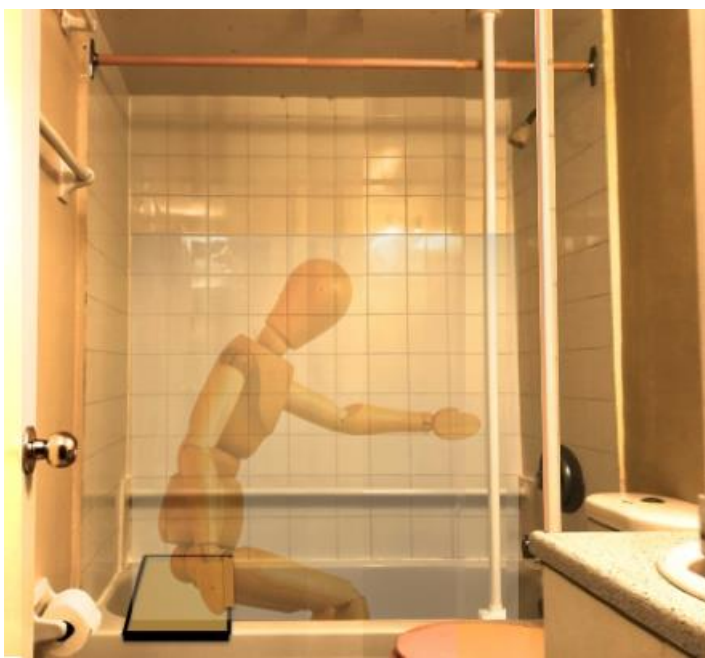


A significant aspect of the proposal for A117.1 is the introduction of stanchions, the history and ubiquity—outside of bathrooms—has already been addressed above. In the photos below, they are seen in three of the contexts at the heart of A117.1 Chapter 6, as it will be amended with the acceptance of this proposal which deals, typically with new construction. All of the examples below represent retrofit installations. Moreover, they are all retrofits in rental contexts where damage to walls is frowned upon by owners. Thus all of the examples shown of stanchions in this proposal narrative, include stanchions that can be removed (followed with the usual repainting between tenancies) without any screw holes in floors, ceilings and, most important (usually) walls. Modern RTV (Room Temperature Vulcanizing) adhesives hold these stanchions in place with holding capability meeting the 250-pound strength requirement. This adds new usefulness to A117.1 and, more importantly, to many people who develop disabilities of all types as they age and who want to “age in place” where they feel most at home. Stanchions also avoid any grab bar stigma issues as, evident especially in the two photos at the center and right sides below, the stanchions appear totally integrated with the décor, even serving as a much needed lighting pole to enhance bathroom lighting while saving energy. These stanchions all comply with the proposed requirements, completely for the contexts illustrated, from left to right: bathtub access side vertical stanchion (with a no-cost bonus of also serving as the newly required vertical stanchion for the WC). At the center is another stanchion, this one color coordinated with its surrounds and the structural supports—to the vanity—color coordinated with it (while giving extra structural support to the stanchion). At the right, the satin stainless steel stanchion matches the décor of the shower enclosure and is discretely tucked into a recess while being accessible for both entering and exiting, stepping over the 4-inch sill below the shower door. Both of the stanchions at the center and right occupy the same bathroom and both contend with the 8-foot ceiling there.



The photo at the left side demonstrates two options for a center tub-length stanchion, one affixed with RTV adhesive to a 60-year old enamel steel bathtub that has no problem with a test 330-pound, lateral load held for three hours. For newer, less rigid bathtub materials such as acrylic or fiberglass, manufacturers have raised a huge fuss over rim mounting of stanchions. They are easily appeased with the option of mounting on the adjacent floor—which is far more sturdy than the newer tubs are and has no issues with the RTV adhesive. Again, with many solid, well-performing steel bathtubs currently installed, there is much scope for both the rim- and floor-mounting options for securing stanchions in both new and existing bathrooms.

There was also some opposition—*quickly addressed*—from those concerned with the stanchion being in the way of some people with disabilities not being able to swing their fully extended legs over the tub rim when seated on a bathtub seat. Note that in the photo above, left side, there is barely room for such legs at the closely positioned WC which effectively blocks almost half the length of the tub. Notably the proposed language for A117 allows the vertical, access-side stanchion to be placed anywhere on or immediately adjacent to the entire length of the bathtub. Thus the stanchion can be placed where it suits a bather who desires to use a bathtub seat, etc.



This augmented photo illustrates the possible dilemma over such vertical stanchion placement. Is it too close to the seat; is it too far from the seat (like the water controls are), or is it just right? The proposal is open to all options on this matter (keeping in mind the value of the stanchion also serving the water closet as set out in proposed new Section 604.12 in which the performance requirement of a 28-inch

reach distance is utilized.) The 28 inches is based on a reachability analysis as well as being explained and illustrated in Appendix A to this proposal). Note also a second vertical stanchion digitally added at the vanity side serving the water closet.

Section 608 Shower Compartments. Focusing now on Section 608, there has been increasing evidence, especially in hotels, that bathtubs were being replaced with dedicated showers occupying the same generous space formerly taken up with a combination bathtub with shower. The showers were neither transfer type nor roll in showers, thus some new design considerations were in order for ambulatory accessible showers. The photograph which follows demonstrates what appears to be one of these conversions. This realization that showers, even in hotels, were becoming more spacious, led to the division of proposed Sections 608.9 with three options for the single required grab bar or stanchion for ambulatory users. This section needs some input from fellow A117 Committee colleagues. My effort on this is clearly preliminary but, like much else with ambulatory accessible bathroom facilities, a solution to the usability problem (along with safety issues that are the work of NFPA and other committees) is a start and is better than what exists currently.





As with the bathtub section and the water closet section, there is scope for dual utilization of stanchions especially for adjoining facilities. Thus a lot of work was done with reachability studies which is partly reflected in the accompanying Appendix A, a PowerPoint presentation prepared for the Canadians who are reaching the end of a long road, dating back to their first proposal for improved bathroom utilization of grab bars (submitted by a colleague, Dr. Nancy Edwards, an expert on falls) later augmented by my Canadian proposal in 2015 paralleling my proposals of that year to NFPA that led to changes in the 2018 NFPA 101 and 5000 on requirements for both grab bars and stanchions (first identified as “poles” in the 2018 editions). My relatively intensive work in the last year on grab bars and stanchions for bathing usability as well as safety is reflected in Appendix A.

Given the rush of dealing with multiple model codes and standards simultaneously, there is not as much time available for word-smithing and writing very detailed justifications. Appendix A makes up for a lot of that and, as has happened already in this justification, some sample pages from the presentation in Appendix A have been used in this justification that give a flavor for the analysis that has been done to treat the three facility types—water closets, bathtubs and showers—in as integrated a fashion as possible. The augmented photo below is the final example of this. It shows what appears to be a hotel bathroom conversion where the long footprint of the shower means that its entrance is possibly too far from the water closet to share the stanchion. (This is what happens when space is no longer at such a premium as it was in the humble 5 by 7 foot bathroom seen in a number of the illustrations herein and in Appendix A. Reachability becomes more of an challenge when trying to economize on number of stanchions needed.

Finally—*almost*— at least for this preliminary justification section of the proposal, a critical detail that, I hope will be accepted to no longer specify a fixed 1.5-inch clearance between a grab bar and the wall to which it is attached. Here follows the proposed change and below that is the experiment that was painfully executed in the course of addressing this matter empirically. The clearance in the photo sequence that follows was exactly 1.5 inches yet an older male adult’s hand could pass through, sustaining bruising to the back of the hand. Surely this issue of adding one word, “minimum” will be accepted as a similar change has been accepted on related topics.

609.3 Spacing. The space between the wall and the grab bar or stanchion shall be 1 1/2 inches (38 mm) minimum. The space between the grab bar or stanchion and projecting objects below

and at the ends of the grab bar or stanchion shall be 1 1/2 inches (38 mm) minimum. The space between the grab bar or stanchion and projecting objects above the grab bar or stanchion shall be 12 inches (305 mm) minimum.



Finally, just a brief introduction to the next page which includes a tiny portion Appendix A which is a separate, stand-alone document being provided with this proposal. There is a very strong case, based on injury evidence that there is a major distortion in the use of bathing and showering facilities by older adults who can give up frequent bathing and showering because of the real or feared dangers at worst, and hassles at best, with poorly designed and manufactured plumbing products of bathing and showering. It appears that the main reason, older adults have a reduced number of injuries associated with bathtubs and showers is not that they are reasonably safe but that people choose not to use them. This behavior differs drastically from how older adults use water closets. They have no choice but to use them and this exposure, combined with the lack of suitable points of control result in a major expansion in the number of injuries.

The page that follows, incorporating two of the slides in the PowerPoint presentation that is Appendix A, provides a preliminary examination and beginnings of an analysis which requires some further demographic study which will be done before the A117 Committee meets to discuss this and other proposals. In the meantime, you (the reader) can ponder the next page on your own.

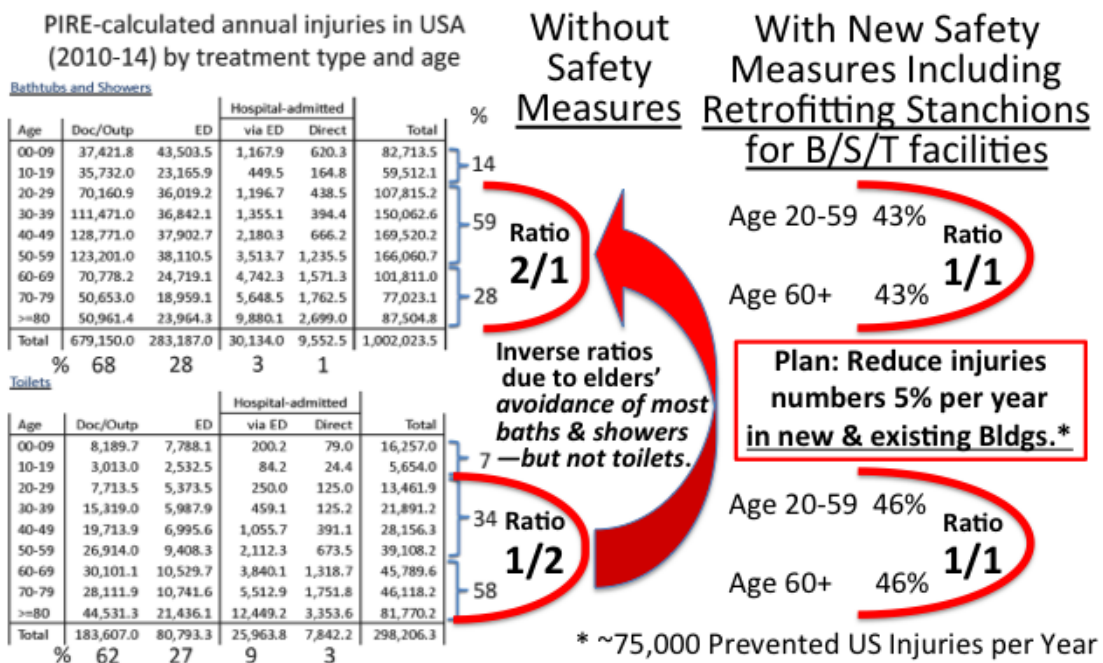
Bottom line, understanding the impact of exposure—i.e., use—is a huge factor that A117.1 can, and must address sooner rather than later. We have to enhance all bathroom activities. ***This is an issue within the scope of A117.1 as the National Standard on Accessibility and Usability.***

the next slide provides another important insight into the role played by elderly people’s exposure to another very serious fall risk—toilets—in bathrooms, especially in homes.

People increasingly want to “age in place” but this is needlessly more difficult and dangerous than should be the case with the hazardous trio of:

- ◆ home stairs
- ◆ Bathtubs
- ◆ toilets (water closets or commodes).

The following is more speculative than other relatively-tested ideas on bathroom usability and safety in this presentation. It is intended to further appreciate the need to study some issues and to be more proactive with improving usability and safety at very minimal cost (as illustrated in the largest section of this presentation—examples from actual bathrooms in Canada and beyond).



Committee Action: AS AM D

604 et al-PAULS.doc

| Report for 06-13- 2021 | | |
|-------------------------------------|-----------------------------------|----------------------------------|
| <i>Committee decision: AS/AM/D</i> | <i>Committee Vote at Meeting:</i> | <i>Committee Vote on Ballot:</i> |
| REPORT OF HEARING: | | |
| Modification (if any): | | |
| Committee Reason: | | |
| PUBLIC COMMENT- FIRST DRAFT: | | |
| Proponent: | | |
| Desired Action: | | |
| Modification: | | |
| Reason: | | |

| | | |
|--|-----------------------------------|----------------------------------|
| Report for 06-13- 2021 | | |
| <i>Committee decision: AS/AM/D</i> | <i>Committee Vote at Meeting:</i> | <i>Committee Vote on Ballot:</i> |
| REPORT OF HEARING – FIRST DRAFT | | |
| Modification (if any): | | |
| Committee Reason: | | |
| PUBLIC COMMENT- SECOND DRAFT: | | |
| Proponent: | | |
| Desired Action: | | |
| Modification: | | |
| Reason: | | |
| <i>Committee decision: AS/AM/D</i> | <i>Committee Vote at Meeting:</i> | <i>Committee Vote on Ballot:</i> |
| FINAL ACTION: | | |
| Modification (if any): | | |
| Committee Reason: | | |

06-14 – 2021

604.3.1, 1103.11.2.4.2, 1104.11.3.1.2.2.1, Figures 604.3, 1103.11.2.4(C), 1104.11.3.1.2(D)

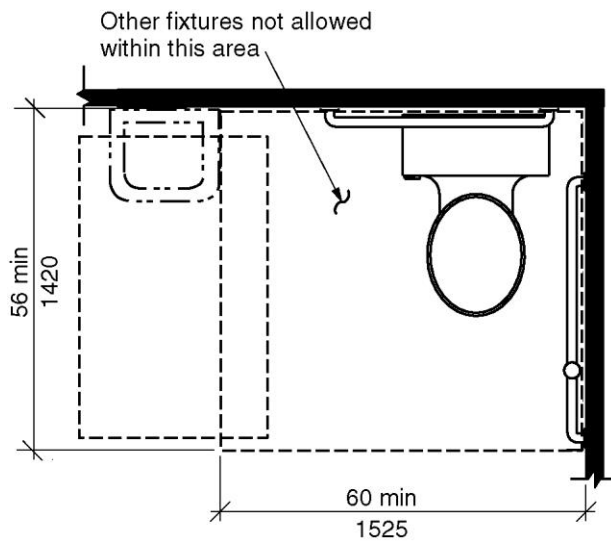
Proponent: Edward Steinfeld, IDEA Center, University at Buffalo, representing RESNA

Revise as follows:

**SECTION 604
WATER CLOSETS AND TOILET COMPARTMENTS**

604.3 Clearance.

604.3.1 Clearance width. Clearance around a water closet shall be 60 inches (1525 mm) minimum in width, measured perpendicular from the sidewall. The clearance shall be measured to the face of vanity cabinets, where provided.

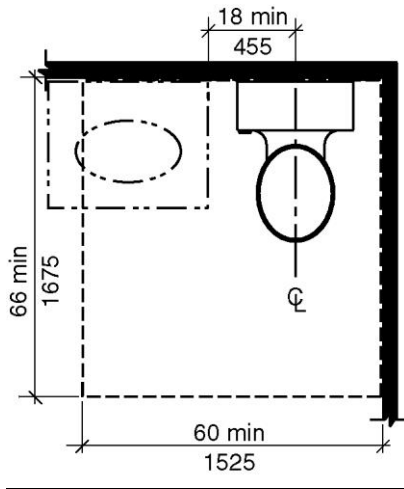


Note: Clearances shall be measured to the face of vanity cabinets, where provided.

**FIGURE 604.3
SIZE OF CLEARANCE FOR WATER CLOSET**

**SECTION 1103
TYPE A UNITS**

1103.11.2.4.2 Clearance width. Clearance around the water closet shall be 60 inches (1525 mm) minimum in width, measured perpendicular from the side wall. The clearance shall be measured to the face of vanity cabinets, where provided.

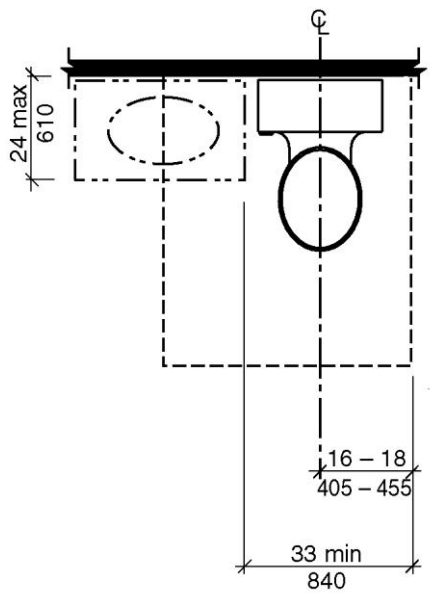


Note: Clearances shall be measured to the face of vanity cabinets, where provided.

FIGURE 1103.11.2.4(C)
WATER CLOSETS IN TYPE A UNITS - CLEARANCE WITH LAVATORY (OVERLAP EXCEPTION)

SECTION 1104
TYPE B UNITS

1104.11.3.1.2.2.1 Clearance width. Clearance around the water closet shall be 48 inches (1220 mm) minimum in width, measured perpendicular from the side of the clearance that is 16 inches (405 mm) minimum and 18 inches (455 mm) maximum from the water closet centerline. Clearances shall be measured to the face of vanity cabinets, where provided.



Note: Clearances shall be measured to the face of vanity cabinets, where provided.

FIGURE 1104.11.3.1.2(D)
CLEARANCE AT WATER CLOSETS IN TYPE B UNITS CLEARANCE WITH LAVATORY OVERLAP

REASON: The current requirements and figures do not state clearly where the clearances should be measured at vanity cabinets. The lack of specificity leads to confusion in the field when checking compliance and citations for inconsequential differences, e.g. ¼ or ½ in. overhangs of countertops. Slight overhangs, which is a common practice makes no difference in accessibility.

Committee Action: AS AM D

604.3.1-STEINFELD.doc

| | | |
|--|-----------------------------------|----------------------------------|
| Report for 06-14- 2021 | | |
| <i>Committee decision: AS/AM/D</i> | <i>Committee Vote at Meeting:</i> | <i>Committee Vote on Ballot:</i> |
| REPORT OF HEARING: | | |
| Modification (if any): | | |
| Committee Reason: | | |
| PUBLIC COMMENT- FIRST DRAFT: | | |
| Proponent: | | |
| Desired Action: | | |
| Modification: | | |
| Reason: | | |
| <i>Committee decision: AS/AM/D</i> | <i>Committee Vote at Meeting:</i> | <i>Committee Vote on Ballot:</i> |
| REPORT OF HEARING – FIRST DRAFT | | |
| Modification (if any): | | |
| Committee Reason: | | |
| PUBLIC COMMENT- SECOND DRAFT: | | |
| Proponent: | | |
| Desired Action: | | |
| Modification: | | |
| Reason: | | |
| <i>Committee decision: AS/AM/D</i> | <i>Committee Vote at Meeting:</i> | <i>Committee Vote on Ballot:</i> |
| FINAL ACTION: | | |
| Modification (if any): | | |
| Committee Reason: | | |

06-15 – 2021
604.3.3

Proponent: Marsha Mazz, representing United Spinal Association

Revise as follows:

SECTION 604
WATER CLOSETS AND TOILET COMPARTMENTS

604.3 Clearance.

604.3.3 Clearance overlap. The required clearance around the water closet shall be permitted to overlap the water closet, associated grab bars, ~~paper dispensers, sanitary napkin receptacles, coat hooks, shelves,~~ accessible routes, clear floor space at other fixtures and the turning space. In addition, paper dispensers, trash receptacles, coat hooks, and shelves shall be permitted to overlap 4 inches (100 mm) maximum into the water closet clearance. No other fixtures or obstructions shall be located within the required water closet clearance.

REASON: In our inspections, Accessibility Services has observed that very large paper dispensers, trash receptacles, coat hooks, and shelves often obstruct access to the water closet and also can interfere with the legs of a person seated on the water closet. We believe that if these elements are to be permitted in the clearance, a 4-inch overlap should be sufficient to accommodate them – anything more is a potential obstruction limiting access to the water closet and reducing the maneuvering space around it.

We replace the term “sanitary napkin receptacles” with “trash receptacles” so that they are not prohibited in the water closet clearance in toilet rooms for men.

Committee Action: AS AM D

604.3.3-MAZZ.doc

| | | |
|--|-----------------------------------|----------------------------------|
| Report for 06-15– 2021 | | |
| <i>Committee decision: AS/AM/D</i> | <i>Committee Vote at Meeting:</i> | <i>Committee Vote on Ballot:</i> |
| REPORT OF HEARING: | | |
| Modification (if any): | | |
| Committee Reason: | | |
| PUBLIC COMMENT- FIRST DRAFT: | | |
| Proponent: | | |
| Desired Action: | | |
| Modification: | | |
| Reason: | | |
| <i>Committee decision: AS/AM/D</i> | <i>Committee Vote at Meeting:</i> | <i>Committee Vote on Ballot:</i> |
| REPORT OF HEARING – FIRST DRAFT | | |
| Modification (if any): | | |
| Committee Reason: | | |
| PUBLIC COMMENT- SECOND DRAFT: | | |
| Proponent: | | |
| Desired Action: | | |
| Modification: | | |
| Reason: | | |
| <i>Committee decision: AS/AM/D</i> | <i>Committee Vote at Meeting:</i> | <i>Committee Vote on Ballot:</i> |

Report for 06-15- 2021

FINAL ACTION:

Modification (if any):

Committee Reason:

06-16 – 2021
604.3.3

Proponent: Gene Boecker, Code Consultants, Inc.

Revise as follows:

SECTION 604
WATER CLOSETS AND TOILET COMPARTMENTS

604.3 Clearance.

604.3.3 Clearance overlap. The required clearance around the water closet shall be permitted to overlap the water closet, associated grab bars, paper dispensers, sanitary napkin receptacles, coat hooks, open or enclosed shelves, medical and security alert devices, accessible routes, clear floor space at other fixtures and the turning space. No other fixtures or obstructions shall be within the required water closet clearance.

REASON: Two additional notations need to be included in the list.

First, there should be no difference between an open shelf and an enclosed shelf like that of a wall cabinet. This has been interpretive in the past but should be clear. The depth of such shelves is not addressed. Perhaps the committee should include some limitation of the depth of the shelf or location so that it is not an obstruction.

Second, in medical care facilities such as hospitals, nursing homes and rehabilitation centers, it is common to have a pull cord and alert device next to the water closet. These are also provided in assisted living facilities and many large retail stores. These devices, due to their nature have typically not been an issue with enforcement agencies. However, occasionally we have seen these be forced out of the clear floor space and a series of strings and pulleys be required in its place, making its use complicated and more likely to be ineffective when needed.

Committee Action: AS AM D

604.3.3-BOECKER.doc

| | | |
|--|-----------------------------------|----------------------------------|
| Report for 06-16- 2021 | | |
| <i>Committee decision: AS/AM/D</i> | <i>Committee Vote at Meeting:</i> | <i>Committee Vote on Ballot:</i> |
| REPORT OF HEARING: | | |
| Modification (if any): | | |
| Committee Reason: | | |
| PUBLIC COMMENT- FIRST DRAFT: | | |
| Proponent: | | |
| Desired Action: | | |
| Modification: | | |
| Reason: | | |
| <i>Committee decision: AS/AM/D</i> | <i>Committee Vote at Meeting:</i> | <i>Committee Vote on Ballot:</i> |
| REPORT OF HEARING – FIRST DRAFT | | |
| Modification (if any): | | |
| Committee Reason: | | |
| PUBLIC COMMENT- SECOND DRAFT: | | |
| Proponent: | | |
| Desired Action: | | |

Report for 06-16- 2021

Modification:

Reason:

Committee decision: AS/AM/D**Committee Vote at Meeting:****Committee Vote on Ballot:****FINAL ACTION:**

Modification (if any):

Committee Reason:

06-17 – 2021
604.3.4(New)

Proponent: Gene Boecker, Code Consultants, Inc.

Add new text as follows:

SECTION 604
WATER CLOSETS AND TOILET COMPARTMENTS

604.3 Clearance.

604.3.4 Changes in level. Changes in level shall not be permitted within the clearance.

Exceptions:

1. The floor shall be permitted a slope not steeper than 1:48.
2. Changes in level complying with Section 303 which do not exceed 1/4 inch.

REASON: A transfer from a mobility device to the water closet in the accessible compartment is a potentially dangerous condition if the floor surface is irregular or otherwise provided with changes in level. Having three of four wheels at the same level creates a rocking condition that is not safe.

However, it is understood that toilet room floors are frequently sloped because they are provided with floor drains for cleanup. So, the first exception needs to be provided. The second exception recognizes the uneven nature of some tile surfaces and provides a practical allowance for such flooring systems.

Committee Action: AS AM D

604.3.4-BOECKER.doc

| | | |
|--|-----------------------------------|----------------------------------|
| Report for 06-17– 2021 | | |
| <i>Committee decision: AS/AM/D</i> | <i>Committee Vote at Meeting:</i> | <i>Committee Vote on Ballot:</i> |
| REPORT OF HEARING: | | |
| Modification (if any): | | |
| Committee Reason: | | |
| PUBLIC COMMENT- FIRST DRAFT: | | |
| Proponent: | | |
| Desired Action: | | |
| Modification: | | |
| Reason: | | |
| <i>Committee decision: AS/AM/D</i> | <i>Committee Vote at Meeting:</i> | <i>Committee Vote on Ballot:</i> |
| REPORT OF HEARING – FIRST DRAFT | | |
| Modification (if any): | | |
| Committee Reason: | | |
| PUBLIC COMMENT- SECOND DRAFT: | | |
| Proponent: | | |
| Desired Action: | | |
| Modification: | | |
| Reason: | | |
| <i>Committee decision: AS/AM/D</i> | <i>Committee Vote at Meeting:</i> | <i>Committee Vote on Ballot:</i> |
| FINAL ACTION: | | |
| Modification (if any): | | |

Report for 06-17- 2021

Committee Reason:

06-18 – 2021

604.4, Figure 604.4

Proponent: Edward Steinfeld, IDEA Center, School of Architecture and Planning, University at Buffalo, State University of New York, representing RESNA

Revise as follows:

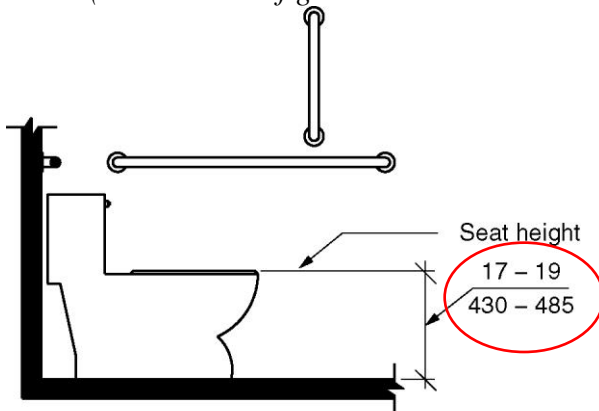
SECTION 604 WATER CLOSETS AND TOILET COMPARTMENTS

604.4 Height. The height of water closet seats shall be 17 inches (430 mm) minimum ~~and to 19~~ 20 inches (485 510 mm) maximum above the floor, measured to the top of the seat. Seats shall not be sprung to return to a lifted position.

EXCEPTIONS:

1. An accessible water closet which is adjustable in height ~~by the user is permitted or which provides multiple hinged seats shall be permitted to provide adjustability~~ within a range of 17 inches (430 mm) minimum to 25 inches (635 mm) maximum, provided that at least one adjustment setting provides a seat within the range specified in Section 604.4.
2. A water closet in a toilet room for a single occupant, accessed only through a private office and not for common use or public use, shall not be required to comply with this section.

(Note: Revise figure 604.4 to show 17-20)



Note: For children's dimensions see Fig. 604.11.4

**FIGURE 604.4
WATER CLOSET SEAT HEIGHT**

REASON: The current standard does not reflect the findings of recent research. The existing dimensions are based on 1970's data. Since that time, new wheelchair technology, particularly

the common use of cushions and other seating supports designed to reduce pressure ulcers and position people for improved social interaction and use of equipment, have led to increased seat heights. See Design Resources: Analysis of Seat Height for Wheeled Mobility Devices at <http://idea.ap.buffalo.edu/wp-content/uploads/sites/110/2019/08/23.pdf> The above proposed revision is consistent with this research. The findings indicate that a range of 17-25 in. (430-635 mm) will accommodate almost all of the wheeled mobility population. This exception will provide guidance to manufacturers who are developing adjustable height toilets. Without this guidance, they may not address the full range of needs in the population.

Committee Action: AS AM D

604.4-STEINFELD.doc

| | | |
|--|-----------------------------------|----------------------------------|
| Report for 06-18- 2021 | | |
| <i>Committee decision: AS/AM/D</i> | <i>Committee Vote at Meeting:</i> | <i>Committee Vote on Ballot:</i> |
| REPORT OF HEARING: | | |
| Modification (if any): | | |
| Committee Reason: | | |
| PUBLIC COMMENT- FIRST DRAFT: | | |
| Proponent: | | |
| Desired Action: | | |
| Modification: | | |
| Reason: | | |
| <i>Committee decision: AS/AM/D</i> | <i>Committee Vote at Meeting:</i> | <i>Committee Vote on Ballot:</i> |
| REPORT OF HEARING – FIRST DRAFT | | |
| Modification (if any): | | |
| Committee Reason: | | |
| PUBLIC COMMENT- SECOND DRAFT: | | |
| Proponent: | | |
| Desired Action: | | |
| Modification: | | |
| Reason: | | |
| <i>Committee decision: AS/AM/D</i> | <i>Committee Vote at Meeting:</i> | <i>Committee Vote on Ballot:</i> |
| FINAL ACTION: | | |
| Modification (if any): | | |
| Committee Reason: | | |

06-19 – 2021
604.5.2

Proponent: Kyle Thompson, Plumbing Manufacturers International (PMI)

Revise as follows:

SECTION 604
WATER CLOSETS AND TOILET COMPARTMENTS

604.5.2 Rear-wall grab bars. The fixed rear-wall grab bar shall

1. Be 36 inches (915 mm) minimum in length,
2. Be located 6 inches maximum (150 mm) from the side wall, and
3. Extend 42 inches (1065 mm) minimum from the side wall.

Exceptions:

1. The rear grab bar shall be permitted to be 24 inches (610 mm) minimum in length, centered on the water closet, where wall space does not permit a grab bar 36 inches (915 mm) minimum in length due to the location of a recessed fixture adjacent to the water closet.
2. Where ~~an administrative authority requires flush~~ flushing devices and controls for flush valves to be ~~are~~ located in a position that conflicts with the location of the rear grab bar, that grab bar shall be permitted to be split or shifted to the open side of the toilet area.

REASON: The entire standard is under the jurisdiction of the administrative authority and it makes no sense to specify such a requirement in Exception 2. By adding “flushing devices” and striking out “flush valves” the proposed revisions clarify that Exception 2 would apply to the entire flushometer valve and flush tank, besides the controls. Proposed revisions to Exception 2 are necessary because flushometer valves have various heights because of the vacuum breakers (which are necessary for protecting the potable water supply from dirty toilet water) which can be unique per plumbing system. Furthermore, most bedpan washers in the marketplace do not fit under the rear grab bar when you factor in the height of the bedpan washer arm, vacuum breaker and location of the flush controls.

Committee Action: AS AM D

604.5.2-THOMPSON.doc

| | | |
|--|-----------------------------------|----------------------------------|
| Report for 06-19– 2021 | | |
| <i>Committee decision: AS/AM/D</i> | <i>Committee Vote at Meeting:</i> | <i>Committee Vote on Ballot:</i> |
| REPORT OF HEARING: | | |
| Modification (if any): | | |
| Committee Reason: | | |
| PUBLIC COMMENT- FIRST DRAFT: | | |
| Proponent: | | |
| Desired Action: | | |
| Modification: | | |
| Reason: | | |
| <i>Committee decision: AS/AM/D</i> | <i>Committee Vote at Meeting:</i> | <i>Committee Vote on Ballot:</i> |
| REPORT OF HEARING – FIRST DRAFT | | |

| | | |
|--------------------------------------|-----------------------------------|----------------------------------|
| Report for 06-19- 2021 | | |
| Modification (if any): | | |
| Committee Reason: | | |
| PUBLIC COMMENT- SECOND DRAFT: | | |
| Proponent: | | |
| Desired Action: | | |
| Modification: | | |
| Reason: | | |
| Committee decision: AS/AM/D | Committee Vote at Meeting: | Committee Vote on Ballot: |
| FINAL ACTION: | | |
| Modification (if any): | | |
| Committee Reason: | | |

06-20 – 2021
604.6

Proponent: Marsha Mazz, representing United Spinal Association

Revise as follows:

SECTION 604
WATER CLOSETS AND TOILET COMPARTMENTS

604.6 Flush controls. Flush controls shall be hand-operated or automatic. Where only hand ~~Hand~~ operated flush controls are provided, they shall comply with Section 309. Hand-operated flush controls shall be located on the open side of the centerline of the water closet.

Exception Exceptions:

1. In ambulatory accessible toilet compartments complying with Section 604.10, flush controls shall be permitted to be located on either side of the water closet.
2. Hand-operated flush controls shall be permitted to cross the centerline of the water closet, provided that the portion of the control that is located to the open side of the centerline independently complies with Section 309.4.

REASON: This proposal accomplishes two things. First, it clarifies that where automatic flush controls are provided, the override button, sometimes called a courtesy button, near not be accessible. While this seems picayune, the inspectors in at least one large city have interpreted the requirement, as written, to apply to these small buttons which typically are not accessible.

Second, the proposal clarifies that a type of control that is common for dual flush toilets is compliant if a portion of the control is located to the open side of the water closet and is operable in compliance with the force requirements of Section 309.4.

Committee Action: AS AM D

604.6-MAZZ.doc

| | | |
|--|-----------------------------------|----------------------------------|
| Report for 06-20– 2021 | | |
| <i>Committee decision: AS/AM/D</i> | <i>Committee Vote at Meeting:</i> | <i>Committee Vote on Ballot:</i> |
| REPORT OF HEARING: | | |
| Modification (if any): | | |
| Committee Reason: | | |
| PUBLIC COMMENT- FIRST DRAFT: | | |
| Proponent: | | |
| Desired Action: | | |
| Modification: | | |
| Reason: | | |
| <i>Committee decision: AS/AM/D</i> | <i>Committee Vote at Meeting:</i> | <i>Committee Vote on Ballot:</i> |
| REPORT OF HEARING – FIRST DRAFT | | |
| Modification (if any): | | |
| Committee Reason: | | |
| PUBLIC COMMENT- SECOND DRAFT: | | |
| Proponent: | | |
| Desired Action: | | |
| Modification: | | |
| Reason: | | |
| <i>Committee decision: AS/AM/D</i> | <i>Committee Vote at Meeting:</i> | <i>Committee Vote on Ballot:</i> |
| FINAL ACTION: | | |
| Modification (if any): | | |

Report for 06-20- 2021

Committee Reason:

06-21 – 2021
604.6

Proponent: Kyle Thompson, Plumbing Manufacturers International (PMI)

Revise as follows:

SECTION 604
WATER CLOSETS AND TOILET COMPARTMENTS

604.6 Flush controls. Flush controls shall be hand operated or automatic. Hand operated flush controls shall comply with Section 309. Flush controls shall be located on the open side of the water closet. Hand operated flush controls must be usable from a point between the centerline and the open side of the fixture. A portion of the control can be outside the range where it is usable without having to reach beyond the water closet centerline from the open side.

Exception: In ambulatory accessible toilet compartments complying with Section 604.10, flush controls shall be permitted to be located on either side of the water closet.

REASON: Are flush controls located on valves, walls, or tanks that are centered on the fixture compliant (i.e., on the open side)?

Manual flush controls, including push buttons, must be usable from a point between the centerline and the open side of the fixture. A portion of the control can be outside the range if it is usable without having to reach beyond the water closet centerline from the open side. To see the interpretation, go to: [Chapter 6: Toilet Rooms \(access-board.gov\)](http://access-board.gov)

Committee Action: AS AM D

604.6-THOMPSON.doc

| Report for 06-21-2021 | | |
|--|-----------------------------------|----------------------------------|
| <i>Committee decision: AS/AM/D</i> | <i>Committee Vote at Meeting:</i> | <i>Committee Vote on Ballot:</i> |
| REPORT OF HEARING: | | |
| Modification (if any): | | |
| Committee Reason: | | |
| PUBLIC COMMENT- FIRST DRAFT: | | |
| Proponent: | | |
| Desired Action: | | |
| Modification: | | |
| Reason: | | |
| <i>Committee decision: AS/AM/D</i> | <i>Committee Vote at Meeting:</i> | <i>Committee Vote on Ballot:</i> |
| REPORT OF HEARING – FIRST DRAFT | | |
| Modification (if any): | | |
| Committee Reason: | | |
| PUBLIC COMMENT- SECOND DRAFT: | | |
| Proponent: | | |
| Desired Action: | | |
| Modification: | | |
| Reason: | | |
| <i>Committee decision: AS/AM/D</i> | <i>Committee Vote at Meeting:</i> | <i>Committee Vote on Ballot:</i> |
| FINAL ACTION: | | |
| Modification (if any): | | |
| Committee Reason: | | |

06-22 – 2021
604.9.1

Proponent: Gene Boecker, Code Consultants, Inc.

Revise as follows:

SECTION 604
WATER CLOSETS AND TOILET COMPARTMENTS

604.9 Wheelchair accessible toilet compartments.

604.9.1 General. Wheelchair accessible toilet compartments shall comply with Section 604.9.

Exception: Toilet compartments shall be permitted to comply with Section 603.

REASON: The primary reason for the toilet compartment dimensions is because turning requires a toe clearance that extends under the partitions. Even with an expanded compartment a true turning space is not provided. However, if a true turning space is provided, the compartment is large enough to be considered a room. In such a case the option of an in-swinging door complying with Section 603.2.2 should be allowed, regardless of the number of fixtures within the compartment.

Committee Action: AS AM D

604.9.1-BOECKER.doc

| | | |
|--|-----------------------------------|----------------------------------|
| Report for 06-22– 2021 | | |
| <i>Committee decision: AS/AM/D</i> | <i>Committee Vote at Meeting:</i> | <i>Committee Vote on Ballot:</i> |
| REPORT OF HEARING: | | |
| Modification (if any): | | |
| Committee Reason: | | |
| PUBLIC COMMENT- FIRST DRAFT: | | |
| Proponent: | | |
| Desired Action: | | |
| Modification: | | |
| Reason: | | |
| <i>Committee decision: AS/AM/D</i> | <i>Committee Vote at Meeting:</i> | <i>Committee Vote on Ballot:</i> |
| REPORT OF HEARING – FIRST DRAFT | | |
| Modification (if any): | | |
| Committee Reason: | | |
| PUBLIC COMMENT- SECOND DRAFT: | | |
| Proponent: | | |
| Desired Action: | | |
| Modification: | | |
| Reason: | | |
| <i>Committee decision: AS/AM/D</i> | <i>Committee Vote at Meeting:</i> | <i>Committee Vote on Ballot:</i> |
| FINAL ACTION: | | |
| Modification (if any): | | |
| Committee Reason: | | |

06-23 – 2021

604.9.3, Figures 604.9.2.3, 604.9.3(B)

Proponent: Gina Hilberry, Cohen Hilberry Architects, representing United Cerebral Palsy

Revise as follows:

SECTION 604 WATER CLOSETS AND TOILET COMPARTMENTS

604.9 Wheelchair accessible toilet compartments.

604.9.2.3 Alternate wheelchair accessible toilet compartments. Where an alternate wheelchair accessible toilet compartment is provided, the minimum area of the compartment shall be 60 inches (1525 mm) minimum in width, measured perpendicular to the side wall, and 84 inches (2135 mm) minimum in depth, measured perpendicular to the rear wall.

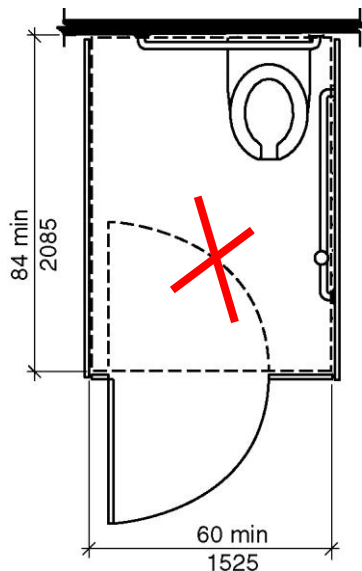


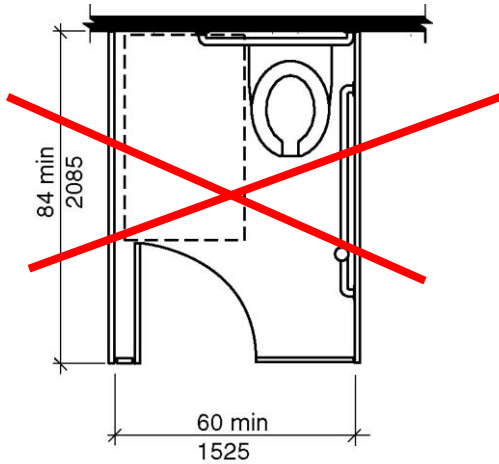
Figure 604.9.2.3
WHEELCHAIR TOILET COMPARTMENTS
ALTERNATE WHEELCHAIR TOILET COMPARTMENT

604.9.3 Doors. Wheelchair accessible toilet compartment doors, including door hardware, shall comply with Section 404. The door shall be self-closing. A door pull complying with Section 404.2.6 shall be placed on both sides of the door near the latch. Wheelchair accessible toilet compartment doors shall not swing into the required minimum area of the compartment.

Exceptions:

1. Outside of the compartment, where the approach is to the latch side of the wheelchair accessible toilet compartment, door clearance between the door side of the compartment and any obstruction shall be 42 inches (1065 mm) minimum.

2. Within the wheelchair accessible toilet compartment, maneuvering clearances at the door shall not be required to comply with Section 404.
3. In an alternate wheelchair accessible toilet compartment, the door shall be permitted to swing into the stall where the minimum depth of the stall is 90 inches (2286 mm)—~~a clear floor space complying with Section 305.3 is provided within the stall beyond the arc of the door swing.~~



* Toilet compartment size per Section 604.9.2.3

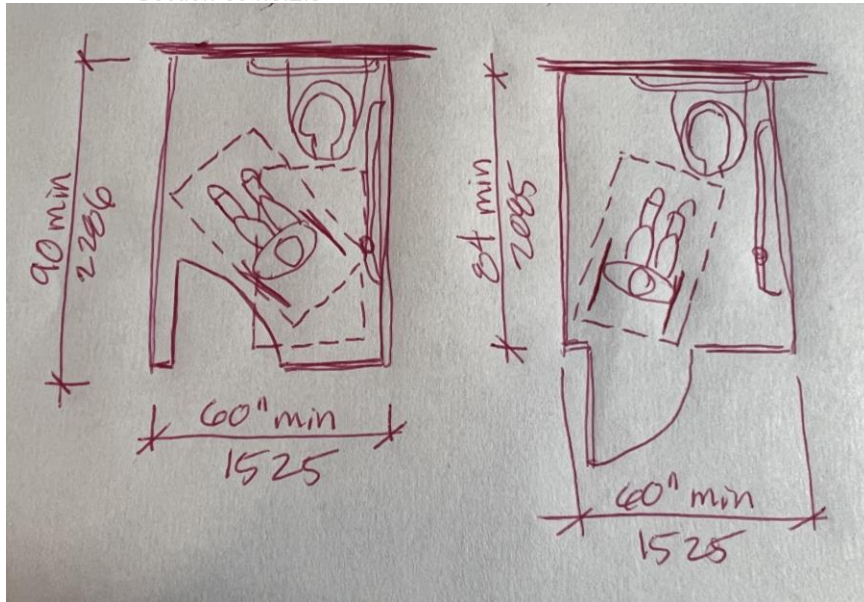


Figure 604.9.3(B)
Wheelchair Toilet Compartment Doors
Exception 3 – Alternate Wheelchair Compartment

REASON: The intent of the alternate wheelchair toilet compartment is to allow for use of the toilet with a forward transfer while maintaining the ability to close door for privacy. For this to work, the person must be able to position themselves directly in front of the toilet without

obstructing the door swing. In a standard wheelchair compartment, it is impossible to close the door with a wheelchair extending straight out from the toilet.

Forward approach to the toilet fixture is used frequently by people who cannot complete a side transfer due to physical needs or due to equipment limitations. While not the most common transfer method, it is common for people with cerebral palsy. UCP was the original proponent for this compartment design and this revision clarifies the technical issues incorporated into the design during the end of the 2017 review process.

This change is about ease of use and maneuvering. An alcove requires a 60 length. The space in front of the water closet would be considered confined on three sides. The current depth would allow for an angles front approach with the door swinging out but would be tight for directly in front (29" toilet + 52" clear floor space = 81"). The 84" depth is 5" short of the alcove, but the door swinging out should allow access. If the door swings in, in order to get past the swing of the door, and allow for the alcove length, the depth of the stall would be 90 inches (29" toilet + 60" alcove = 79"). Most water closets are 22" to 29" deep.

Scoping for this alternate wheelchair toilet compartment is submitted separately.

Committee Action: AS AM D

604.9.2.3 fig-HILBERRY.doc

| | | |
|--|-----------------------------------|----------------------------------|
| Report for 06-23- 2021 | | |
| <i>Committee decision: AS/AM/D</i> | <i>Committee Vote at Meeting:</i> | <i>Committee Vote on Ballot:</i> |
| REPORT OF HEARING: | | |
| Modification (if any): | | |
| Committee Reason: | | |
| PUBLIC COMMENT- FIRST DRAFT: | | |
| Proponent: | | |
| Desired Action: | | |
| Modification: | | |
| Reason: | | |
| <i>Committee decision: AS/AM/D</i> | <i>Committee Vote at Meeting:</i> | <i>Committee Vote on Ballot:</i> |
| REPORT OF HEARING – FIRST DRAFT | | |
| Modification (if any): | | |
| Committee Reason: | | |
| PUBLIC COMMENT- SECOND DRAFT: | | |
| Proponent: | | |
| Desired Action: | | |
| Modification: | | |
| Reason: | | |
| <i>Committee decision: AS/AM/D</i> | <i>Committee Vote at Meeting:</i> | <i>Committee Vote on Ballot:</i> |
| FINAL ACTION: | | |
| Modification (if any): | | |
| Committee Reason: | | |

06-24 – 2021

604.9.3

Proponent: Kimberly Paarlberg, International Code Council

Revise as follows:

SECTION 604 WATER CLOSETS AND TOILET COMPARTMENTS

604.9 Wheelchair accessible toilet compartments.

604.9.3 Doors. Wheelchair accessible toilet compartment doors, including door hardware, shall comply with Section 404. The door shall be self-closing. A door pull complying with Section 404.2.6 shall be placed on both sides of the door near the latch. Wheelchair accessible toilet compartment doors shall not swing into the required minimum area of the compartment.

Exceptions:

1. Outside of the compartment, where the approach is to the latch side of the wheelchair accessible toilet compartment, door clearance between the door side of the compartment and any obstruction shall be 42 inches (1065 mm) minimum.
2. Within the wheelchair accessible toilet compartment, maneuvering clearances at the door shall not be required to comply with Section 404.
3. In an alternate wheelchair accessible toilet compartment complying with Section 604.9.2.3, a door located in the front wall or partition ~~the door~~ shall be permitted to swing into the stall where a clear floor space complying with Section 305.3 is provided within the stall beyond the arc of the door swing.

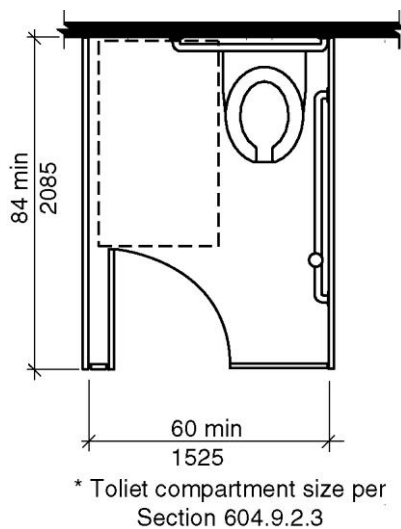


Figure 604.9.3(B)
Wheelchair Toilet Compartment Doors

Exception 3 - Alternate Wheelchair Toilet Compartment

REASON: When the “alternate” compartment requirements were added into the 2017 the original intent of the proponent was to allow for a larger size compartment that might allow the mobility-device user to do a forward approach to the water closet while being able to close the compartment door for privacy. The standard compartment is set up only for a transfer from the side. As a part of the committee’s revisions they looked at the prohibition of doors swinging into the minimum-sized compartment. Because of the larger depth in front of the water closet, the availability of a clear floor space beside the fixture, and the increased space for maneuvering within the compartment, the committee added what is shown as the existing Exception 3.

This proposal ties and limits the third exception directly to the alternate compartment provisions of Section 604.9.2.3 and ensures that the door is located to allow a user to move straight into the stall. Without a limitation for the door to be located in the front wall (as was the original intent), Section 604.9.3.1 could be used to allow a side wall door. Again the original proponent and the committee were expecting the door for the “alternate” compartment to be located as shown in Figure 604.9.3(B) and to allow the user to move directly into the compartment and to allow a forward approach to the water closet.

By specifically referencing Section 604.9.2.3, the exception will clearly indicate when it is permitted to be used. This will ensure the exception is limited to the compartment configuration that was intended and that it is not used for other “alternate” (atypical) designs such as what is shown in Figure 604.9.3(A). Because a code user may select and use any of the exceptions, it is important that Exception 3 be limited to the specific alternate configuration which was intended and not be applied to other configurations which were not discussed and may not adequately address maneuvering within the compartment.

Without the added text of this proposal, there is nothing that specifically addresses the compartment size or configuration and therefore the exception could be viewed as having broader application, or other configurations such as a side wall door could be used for the alternate compartment, even though that was never proposed, discussed or anticipated.

Committee Action: AS AM D

604.9.3-PAARLBERG.doc

| Report for 06-24- 2021 | | |
|--|-----------------------------------|----------------------------------|
| <i>Committee decision: AS/AM/D</i> | <i>Committee Vote at Meeting:</i> | <i>Committee Vote on Ballot:</i> |
| REPORT OF HEARING: | | |
| Modification (if any): | | |
| Committee Reason: | | |
| PUBLIC COMMENT- FIRST DRAFT: | | |
| Proponent: | | |
| Desired Action: | | |
| Modification: | | |
| Reason: | | |
| <i>Committee decision: AS/AM/D</i> | <i>Committee Vote at Meeting:</i> | <i>Committee Vote on Ballot:</i> |
| REPORT OF HEARING – FIRST DRAFT | | |
| Modification (if any): | | |
| Committee Reason: | | |
| PUBLIC COMMENT- SECOND DRAFT: | | |
| Proponent: | | |
| Desired Action: | | |
| Modification: | | |
| Reason: | | |

Report for 06-24-2021*Committee decision: AS/AM/D**Committee Vote at Meeting:**Committee Vote on Ballot:***FINAL ACTION:**

Modification (if any):

Committee Reason:

06-25 – 2021

604.9.3, 604.9.3.1, 604.10.3

Proponent: Kimberly Paarlberg, International Code Council

Revise text as follows:

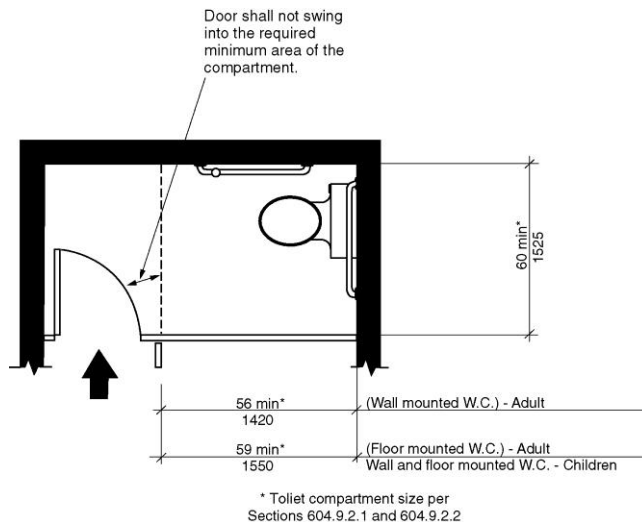
SECTION 604 WATER CLOSETS AND TOILET COMPARTMENTS

604.9 Wheelchair accessible toilet compartments.

604.9.3 Doors. Doors for Wheelchair accessible toilet compartments ~~compartment doors, including door hardware,~~ shall comply with ~~Section 404~~ Sections 404.2.2, 404.2.3.2, 404.2.4 and 404.2.9. The door shall be self-closing with a balanced door or spring hinges. Door hardware shall comply with Section 404.2.6. In addition a ~~A~~ door pull complying with Section 404.2.6 shall be placed on both sides of the door near the latch. Wheelchair accessible toilet compartment doors shall not swing into the required minimum area of the compartment.

Exceptions:

1. Outside of the compartment, the door shall not be required to comply with Section 404.2.3.2 where the approach is to the latch side of the wheelchair accessible toilet compartment, door clearance between the door side of the compartment and any obstruction ~~shall be~~ is 42 inches (1065 mm) minimum.
2. Within the wheelchair accessible toilet compartment, maneuvering clearances at the door shall not be required to comply with Section ~~404~~ 404.2.3.2.
3. ~~In an alternate~~ Within wheelchair accessible toilet compartment, the door shall be permitted to swing into the stall where a clear floor space complying with Section 305.3 is provided within the stall beyond the arc of the door swing.



**FIGURE 604.9.3(A)
WHEELCHAIR TOILET COMPARTMENT DOORS
DOOR SWINGING INTO THE WHEELCHAIR TOILET COMPARTMENT**

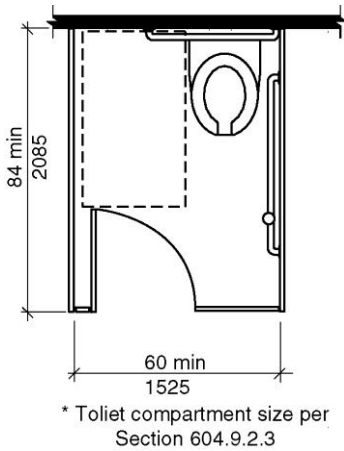


FIGURE 604.9.3(B)
WHEELCHAIR TOILET COMPARTMENT DOORS
EXCEPTION 3 - ALTERNATE WHEELCHAIR COMPARTMENT

604.9.3.1 Door opening location. The farthest edge of the wheelchair accessible toilet compartment door opening shall be located in the front wall or partition or in the side wall or partition as required by Table 604.9.3.1. Hinge and latch side of the doors are permitted to be oriented so that the door opens in the direction of the approach.

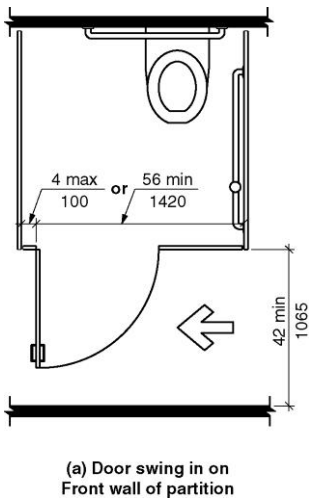


FIGURE 604.9.3.1(A)
WHEELCHAIR TOILET COMPARTMENT DOOR OPENING
LOCATION - DOOR SWINGING IN ON FRONT WALL OF PARTITION

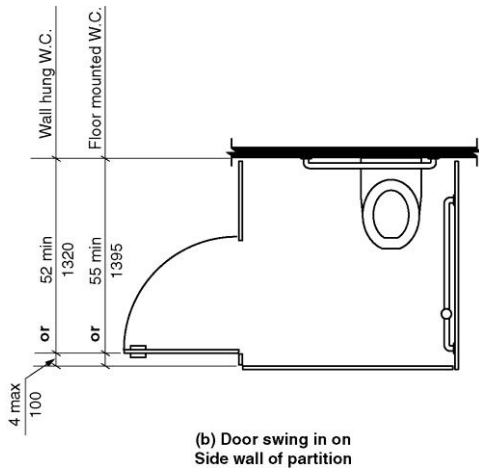


FIGURE 604.9.3.1(B)
WHEELCHAIR TOILET COMPARTMENT DOOR OPENING LOCATION
DOOR SWINGING IN ON SIDE WALL OF PARTITIONS

604.10 Ambulatory accessible toilet compartments.

604.10.3 Doors. ~~Doors for Ambulatory accessible toilet compartments compartment doors, including door hardware, shall comply with Section 404 Sections 404.2.2, 404.2.3.2, 404.2.4 and 404.2.9. The door shall be self-closing with a balanced door or spring hinges. Door hardware shall comply with Section 404.2.6. In addition a A door pull complying with Section 404.2.6 shall be placed on both sides of the door near the latch. Compartment doors shall not swing into the required minimum area of the compartment. Hinge and latch side of the doors are permitted to be oriented so that the door opens in the direction of the approach.~~

Exceptions:

1. Outside of the ambulatory accessible toilet compartment, the door shall not be required to comply with Section 404.2.3.2 where the approach is to the latch side of the compartment door, clearance between the door side of the compartment and any obstruction ~~shall be~~ is 42 inches (1065 mm) minimum.
2. Within the ambulatory accessible toilet compartment, maneuvering clearances at the door shall not be required to comply with Section ~~404~~ 404.2.3.2.

REASON: The intent of this proposal is to clarify what is required for stall partition doors – wheelchair and ambulatory. The reference to Section 404 for door in toilet stall appears to be too broad. The change will pick up door clear width, thresholds and surface (if the stall has full height doors). The requirements for the door hardware are clarified. Items that are not for stall doors that will not be referenced are doors without doorways, recessed doors, two doors in a series, closing speed (closing is addressed in 2nd sentence), vision lights, and all of automatic doors. The added text for the 2nd sentence is intended to indicate that the door is not required to close to latch, but can remain slightly open so you can see if the stall is occupied. The change to exception 1 is to indicate that this is an exception to the maneuvering clearances. The additional sentence is to allow for the door to switch the latch and hinge side shown in the pictures to improve access into the stall. The change to exception 2 is allow the exception to apply to the

new option for accessible stalls. The change to exception 3 is to allow the single occupant toilet room option to apply to wheelchair and alternation wheelchair accessible compartments.

Committee Action: AS AM D

604.9.3-PAARLBERG.doc

| | | |
|--|-----------------------------------|----------------------------------|
| Report for 06-25– 2021 | | |
| <i>Committee decision: AS/AM/D</i> | <i>Committee Vote at Meeting:</i> | <i>Committee Vote on Ballot:</i> |
| REPORT OF HEARING: | | |
| Modification (if any): | | |
| Committee Reason: | | |
| PUBLIC COMMENT- FIRST DRAFT: | | |
| Proponent: | | |
| Desired Action: | | |
| Modification: | | |
| Reason: | | |
| <i>Committee decision: AS/AM/D</i> | <i>Committee Vote at Meeting:</i> | <i>Committee Vote on Ballot:</i> |
| REPORT OF HEARING – FIRST DRAFT | | |
| Modification (if any): | | |
| Committee Reason: | | |
| PUBLIC COMMENT- SECOND DRAFT: | | |
| Proponent: | | |
| Desired Action: | | |
| Modification: | | |
| Reason: | | |
| <i>Committee decision: AS/AM/D</i> | <i>Committee Vote at Meeting:</i> | <i>Committee Vote on Ballot:</i> |
| FINAL ACTION: | | |
| Modification (if any): | | |
| Committee Reason: | | |

06-26 – 2021
604.9.5.1

Proponent: Kimberly Paarlberg, International Code Council

Revise text as follows:

SECTION 604
WATER CLOSETS AND TOILET COMPARTMENTS

604.9 Wheelchair accessible toilet compartments.

604.9.5 Toe clearance. Toe clearance for wheelchair accessible toilet compartments primarily for children's use shall comply with Section 604.9.5.2. Toe clearance for other wheelchair accessible toilet compartments shall comply with Section 604.9.5.1.

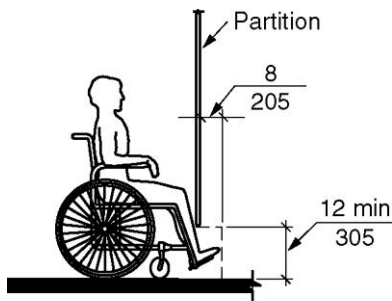


FIGURE 604.9.5(A)
TOE CLEARANCE - ELEVATION

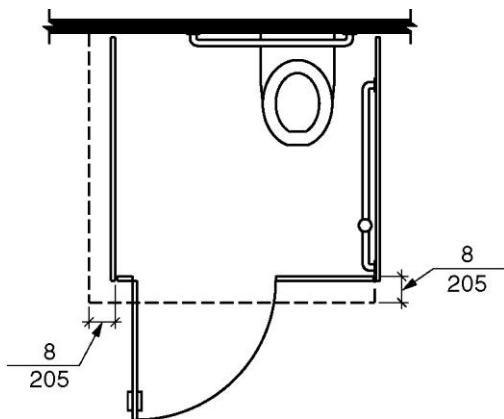


FIGURE 604.9.5(B)
TOE CLEARANCE – PLAN

604.9.5.1 Toe clearance at wheelchair accessible toilet compartments and alternate wheelchair accessible toilet compartments. The front partition and at least one side partition of wheelchair accessible toilet compartments and alternate wheelchair accessible toilet compartments shall provide a toe clearance of 12 inches (305 mm) minimum above the floor and extending 8 inches (205 mm) beyond the compartment side face of the partition, exclusive of partition support members.

Exceptions:

1. Toe clearance at the front partition is not required in a wheelchair accessible toilet compartment or alternate wheelchair accessible toilet compartments greater than 64 inches (1625 mm) in depth with a wall-hung water closet, or greater than 67 inches (1700 mm) in depth with a floor-mounted water closet.
2. Toe clearance at the side partition is not required in a wheelchair accessible toilet compartment or alternate wheelchair accessible toilet compartments greater than 68 inches (1725 mm) in width.

REASON: The purpose of this proposal is to clarify the partition requirements for the new alternate stall since the toe clearance is required. This would cover the stall with the door swinging in in Section 604.9.3(B).

Committee Action: AS AM D

604.9.5.1-PAARLBERG.doc

| | | |
|--|-----------------------------------|----------------------------------|
| Report for 06-26- 2021 | | |
| <i>Committee decision: AS/AM/D</i> | <i>Committee Vote at Meeting:</i> | <i>Committee Vote on Ballot:</i> |
| REPORT OF HEARING: | | |
| Modification (if any): | | |
| Committee Reason: | | |
| PUBLIC COMMENT- FIRST DRAFT: | | |
| Proponent: | | |
| Desired Action: | | |
| Modification: | | |
| Reason: | | |
| <i>Committee decision: AS/AM/D</i> | <i>Committee Vote at Meeting:</i> | <i>Committee Vote on Ballot:</i> |
| REPORT OF HEARING – FIRST DRAFT | | |
| Modification (if any): | | |
| Committee Reason: | | |
| PUBLIC COMMENT- SECOND DRAFT: | | |
| Proponent: | | |
| Desired Action: | | |
| Modification: | | |
| Reason: | | |
| <i>Committee decision: AS/AM/D</i> | <i>Committee Vote at Meeting:</i> | <i>Committee Vote on Ballot:</i> |
| FINAL ACTION: | | |
| Modification (if any): | | |
| Committee Reason: | | |

06-27 – 2021
604.9.5.1, 604.9.5.2

Proponent: Kimberly Paarlberg, International Code Council

Revise as follows:

SECTION 604
WATER CLOSETS AND TOILET COMPARTMENTS

604.9 Wheelchair accessible toilet compartments.

604.9.5 Toe clearance. Toe clearance for wheelchair accessible toilet compartments primarily for children's use shall comply with Section 604.9.5.2. Toe clearance for other wheelchair accessible toilet compartments shall comply with Section 604.9.5.1.

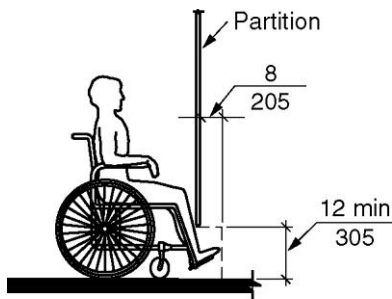


FIGURE 604.9.5(A)
TOE CLEARANCE - ELEVATION

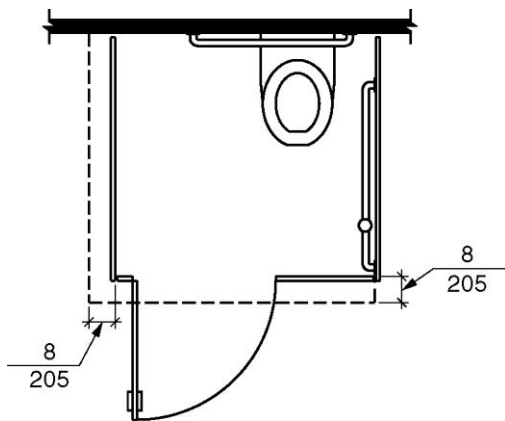


FIGURE 604.9.5(B)
TOE CLEARANCE – PLAN

604.9.5.1 Toe clearance at wheelchair accessible toilet compartments

The front partition and at least one side partition of wheelchair accessible toilet compartments shall provide a toe clearance of 12 inches (305 mm) minimum above the floor and extending 8 inches (205 mm) beyond the compartment side face of the partition, exclusive of partition support members.

Exceptions:

1. Toe clearance at the front partition is not required in a wheelchair accessible toilet compartment greater than 64 inches (1625 mm) in depth with a wall-hung water closet, or greater than 67 inches (1700 mm) in depth with a floor-mounted water closet.
2. Toe clearance at the side partition is not required in a wheelchair accessible toilet compartment greater than 68 inches (1725 mm) in width.
3. Toe clearance is not required in a wheelchair accessible compartment that includes a turning space complying with Section 304.

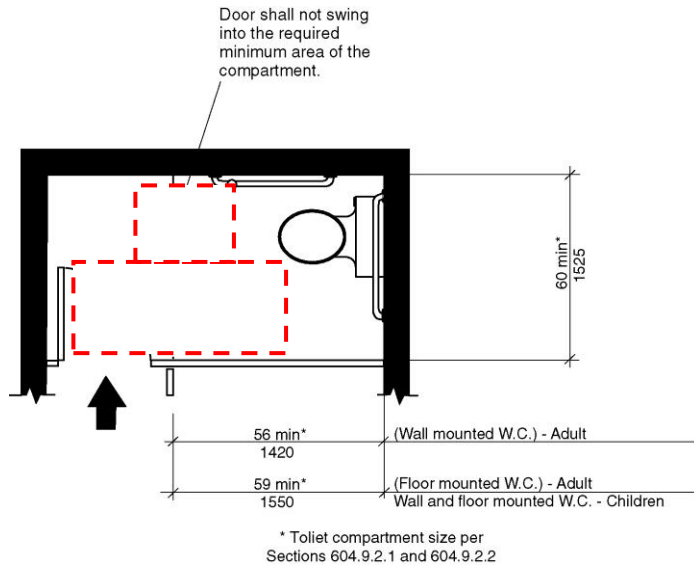
604.9.5.2 Toe clearance at wheelchair accessible toilet compartments for children's use.

The front partition and at least one side partition of wheelchair accessible toilet compartments primarily for children's use shall provide a toe clearance of 12 inches (305 mm) minimum above the floor and extending 8 inches (205 mm) beyond the wheelchair accessible toilet compartment side face of the partition, exclusive of partition support members.

Exceptions:

1. Toe clearance at the front partition is not required in a wheelchair accessible toilet compartment greater than 67 inches (1700 mm) in depth.
2. Toe clearance at the side partition is not required in a wheelchair accessible toilet compartment greater than 68 inches (1725 mm) in width.
3. Toe clearance is not required in a wheelchair accessible compartment that includes a turning space complying with Section 304.

REASON: Where a turning space is located within the wheelchair toilet compartment, the need for the toe clearances at the front and one side privacy partition is not warranted. This proposal will be conducive for the popular "end-stall" configuration where the privacy partition extends down to the floor, which are becoming more popular especially with the advent of "universal" multi-user restroom which may be used by all persons regardless of sex, gender or affiliations.



Committee Action: AS AM D

604.9.5.1-2-PAARLBERG.doc

| Report for 06-27- 2021 | | |
|--|-----------------------------------|----------------------------------|
| <i>Committee decision: AS/AM/D</i> | <i>Committee Vote at Meeting:</i> | <i>Committee Vote on Ballot:</i> |
| REPORT OF HEARING: | | |
| Modification (if any): | | |
| Committee Reason: | | |
| PUBLIC COMMENT- FIRST DRAFT: | | |
| Proponent: | | |
| Desired Action: | | |
| Modification: | | |
| Reason: | | |
| <i>Committee decision: AS/AM/D</i> | <i>Committee Vote at Meeting:</i> | <i>Committee Vote on Ballot:</i> |
| REPORT OF HEARING – FIRST DRAFT | | |
| Modification (if any): | | |
| Committee Reason: | | |
| PUBLIC COMMENT- SECOND DRAFT: | | |
| Proponent: | | |
| Desired Action: | | |
| Modification: | | |
| Reason: | | |
| <i>Committee decision: AS/AM/D</i> | <i>Committee Vote at Meeting:</i> | <i>Committee Vote on Ballot:</i> |
| FINAL ACTION: | | |
| Modification (if any): | | |
| Committee Reason: | | |

06-28 – 2021
604.9.7 (New)

Proponent: Gene Boecker, Code Consultants, Inc.

Add new text as follows:

SECTION 604
WATER CLOSETS AND TOILET COMPARTMENTS

604.9 Wheelchair accessible toilet compartments.

604.9.7 Identification. The wheelchair accessible stall shall be identified with the International Symbol for Accessibility complying with Section 703.6.3.1.

REASON: In a typical toilet room, the accessible compartment was usually identified by the wide door and extra wide blank panel next to it. However, recent design changes with full height panels or walls with standard doors and lever set hardware have created the condition where it is a game of hide and seek to find behind which door is the large compartment with grab bars. The trend toward gender neutral toilet rooms has led to designs with common lavatory areas and toilet compartments which are enclosed by walls and doors.

This is a similar provision to that for checkout aisles. Where not all the accessible, something needs to be done to identify the accessible element without trying to open all the doors.

Committee Action: AS AM D

604.9-BOECKER.doc

| | | |
|--|-----------------------------------|----------------------------------|
| Report for 06-28– 2021 | | |
| <i>Committee decision: AS/AM/D</i> | <i>Committee Vote at Meeting:</i> | <i>Committee Vote on Ballot:</i> |
| REPORT OF HEARING: | | |
| Modification (if any): | | |
| Committee Reason: | | |
| PUBLIC COMMENT- FIRST DRAFT: | | |
| Proponent: | | |
| Desired Action: | | |
| Modification: | | |
| Reason: | | |
| <i>Committee decision: AS/AM/D</i> | <i>Committee Vote at Meeting:</i> | <i>Committee Vote on Ballot:</i> |
| REPORT OF HEARING – FIRST DRAFT | | |
| Modification (if any): | | |
| Committee Reason: | | |
| PUBLIC COMMENT- SECOND DRAFT: | | |
| Proponent: | | |
| Desired Action: | | |
| Modification: | | |
| Reason: | | |
| <i>Committee decision: AS/AM/D</i> | <i>Committee Vote at Meeting:</i> | <i>Committee Vote on Ballot:</i> |
| FINAL ACTION: | | |
| Modification (if any): | | |
| Committee Reason: | | |

06-29 – 2021

604.10.5(New), 604.10.6(New)

Proponent: Gene Boecker, Code Consultants, Inc.

**SECTION 604
WATER CLOSETS AND TOILET COMPARTMENTS**

604.10 Ambulatory accessible toilet compartments.

Add new text as follows:

604.10.5. Height. The height of water closet seats shall comply with Section 604.4.

604.10.6 Dispensers. Toilet paper dispensers shall comply with Section 604.7.

REASON: The height of the seat in the ambulatory compartment is interpreted as being the same as that for the wheelchair accessible compartment since the provisions are all in Section 604. The same is true for the toilet paper dispenser. The reasons for their placement is the specific locations is applicable to individuals needing both types of fixtures. However, because the wheelchair accessible compartment is deemed “accessible” the ambulatory compartment often does not get the same recognition. We frequently see these two elements improperly installed. If a little more ink will make it clear that the intent is the same for the ambulatory compartment as the wheelchair compartment, it will be a big help to proper installations.

Committee Action: AS AM D

604.10-BOECKER.doc

| | | |
|--|-----------------------------------|----------------------------------|
| Report for 06-29– 2021 | | |
| <i>Committee decision: AS/AM/D</i> | <i>Committee Vote at Meeting:</i> | <i>Committee Vote on Ballot:</i> |
| REPORT OF HEARING: | | |
| Modification (if any): | | |
| Committee Reason: | | |
| PUBLIC COMMENT- FIRST DRAFT: | | |
| Proponent: | | |
| Desired Action: | | |
| Modification: | | |
| Reason: | | |
| <i>Committee decision: AS/AM/D</i> | <i>Committee Vote at Meeting:</i> | <i>Committee Vote on Ballot:</i> |
| REPORT OF HEARING – FIRST DRAFT | | |
| Modification (if any): | | |
| Committee Reason: | | |
| PUBLIC COMMENT- SECOND DRAFT: | | |
| Proponent: | | |
| Desired Action: | | |
| Modification: | | |
| Reason: | | |
| <i>Committee decision: AS/AM/D</i> | <i>Committee Vote at Meeting:</i> | <i>Committee Vote on Ballot:</i> |
| FINAL ACTION: | | |
| Modification (if any): | | |
| Committee Reason: | | |

06-30 – 2021

604.10.5(New), 703.6.3.5(New), Figure 703.6.3.5(New)

Proponent: Gene Boecker, Code Consultants, Inc.

**SECTION 604
WATER CLOSETS AND TOILET COMPARTMENTS**

Add new text as follows:

604.10 Ambulatory accessible toilet compartments.

604.10.5 Identification. The ambulatory stall shall be identified with the United Nations Symbol for Elderly complying with Section 703.6.3.5.

703.6 Symbols of accessibility.

703.6.3.5 Symbol for the elderly. The ambulatory stall shall be identified by the United Nations Symbol for the Elderly complying with Figure 703.6.3.5



Figure 703.6.3.5
United Nations Symbol for the Elderly

REASON: In a typical toilet room, the ambulatory compartment was usually identified by the wide out-swinging door and loop handle. However, recent design changes with full height panels or walls with standard doors and lever set hardware have created the condition where it is a game of hide and seek to find behind which door is the ambulatory compartment. The trend toward gender neutral toilet rooms has led to designs with common lavatory areas and toilet compartments which are enclosed by walls and doors.

This is a similar provision to that for checkout aisles. Where not all the accessible, something needs to be done to identify the accessible element without trying to open all the doors.

A new symbol is being proposed for inclusion as a result of the need to identify the ambulatory compartment. This symbol is the recommended symbol for “elderly” according to the United

Nations Office for the Coordination of Humanitarian Affairs (UNOCHA). After a search of multiple symbols for this use, the most easily recognizable one was this symbol.

Additional information can be found at <https://thenounproject.com/ochavisual/collection/ocha-humanitarian-icons-v02/>

Committee Action: AS AM D

604.10.5-BOECKER.doc

| | | |
|--|-----------------------------------|----------------------------------|
| Report for 06-30– 2021 | | |
| <i>Committee decision: AS/AM/D</i> | <i>Committee Vote at Meeting:</i> | <i>Committee Vote on Ballot:</i> |
| REPORT OF HEARING: | | |
| Modification (if any): | | |
| Committee Reason: | | |
| PUBLIC COMMENT- FIRST DRAFT: | | |
| Proponent: | | |
| Desired Action: | | |
| Modification: | | |
| Reason: | | |
| <i>Committee decision: AS/AM/D</i> | <i>Committee Vote at Meeting:</i> | <i>Committee Vote on Ballot:</i> |
| REPORT OF HEARING – FIRST DRAFT | | |
| Modification (if any): | | |
| Committee Reason: | | |
| PUBLIC COMMENT- SECOND DRAFT: | | |
| Proponent: | | |
| Desired Action: | | |
| Modification: | | |
| Reason: | | |
| <i>Committee decision: AS/AM/D</i> | <i>Committee Vote at Meeting:</i> | <i>Committee Vote on Ballot:</i> |
| FINAL ACTION: | | |
| Modification (if any): | | |
| Committee Reason: | | |

06-31 – 2021

605.5(New), 605.5.1(New), 605.5.2(New), 605.5.3(New)

Proponent: Kimberly Paarlberg, International Code Council

Add new text as follows:

**SECTION 605
URINALS**

605.5 Urinal compartments. Urinal compartments, where provided shall comply with Section 605.5.

605.5.1 Size. The minimum area of a urinal compartment shall be 60 inches (1525 mm) minimum in depth and a width of 35 inches (890 mm) minimum and 37 inches (940 mm) maximum.

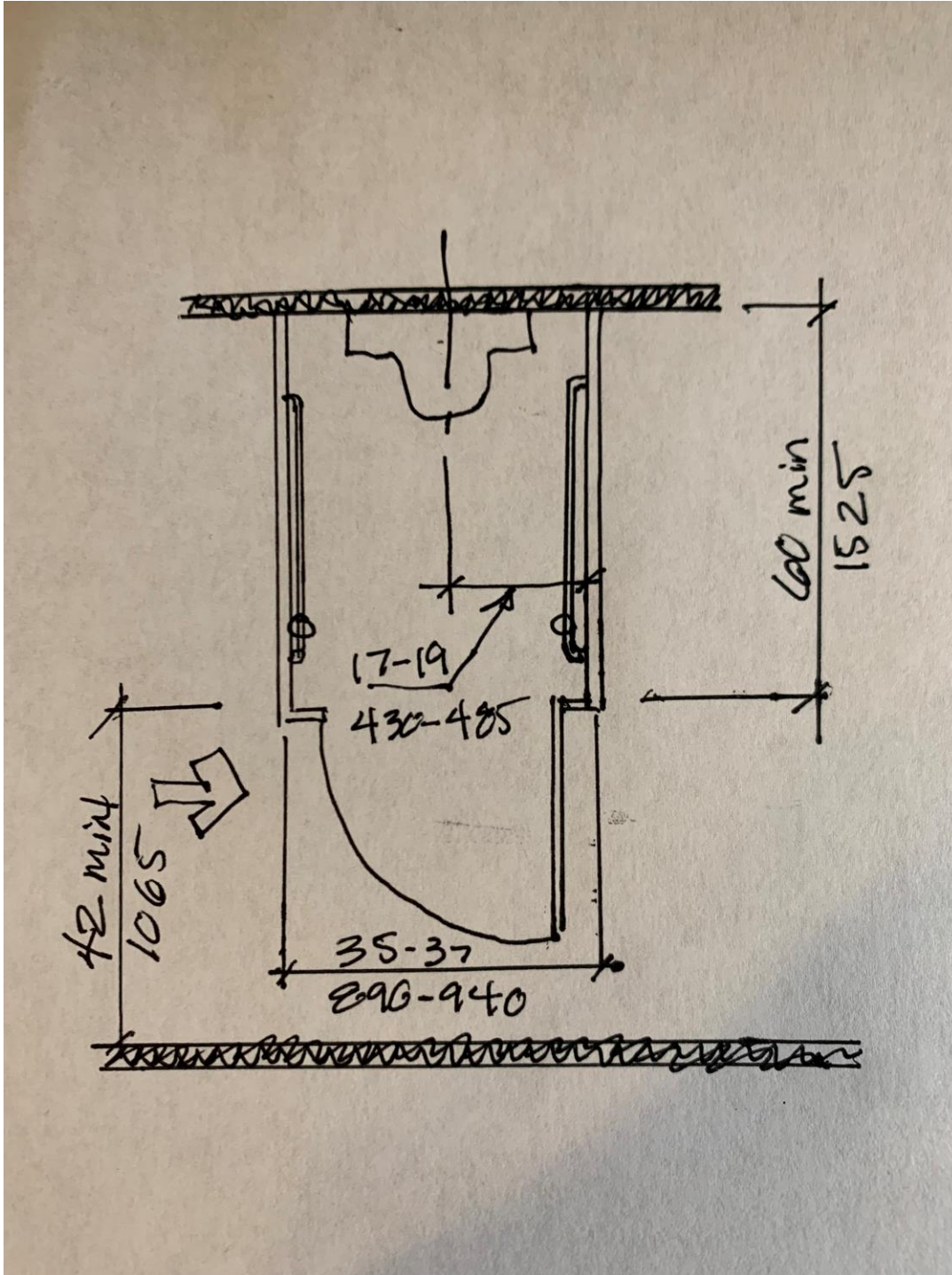
605.5.2 Doors. Doors for urinal compartments shall comply with Sections 404.2.2, 404.2.3.2, 404.2.4 and 404.2.9. The door shall be self-closing with a balanced door or spring hinges. Door hardware shall comply with Section 404.2.6. In addition a door pull complying with Section 404.2.6 shall be placed on both sides of the door near the latch. Compartment doors shall not swing into the required minimum area of the compartment.

Exceptions:

- 1. Outside of the urinal compartment, the door shall not be required to comply with Section 404.2.3.2 where the approach is to the latch side of the compartment door, clearance between the door side of the compartment and any obstruction is 42 inches (1065 mm) minimum. Hinge and latch side of the doors are permitted to be oriented so that the door opens in the direction of the approach.**
- 2. Within the ambulatory accessible toilet compartment, maneuvering clearances at the door shall not be required to comply with Section 404.2.3.2.**

605.5.3 Grab bars. Grab bars shall comply with Section 609. Horizontal side wall grab bars complying with Section 604.5.1.1 shall be provided on both sides of the compartment.

REASON: The 2021 IPC and IBC allows gender neutral multi-stall toilet rooms. For privacy, this may result in the required accessible urinal being located in a compartment. It is my understanding that persons choosing to use the urinal instead of transferring to the water closet will have some weight bearing ability, therefore, this proposal is based on an ambulatory stall requirement.



2021 IPC

SECTION 403
MINIMUM PLUMBING FACILITIES

403.1.1 Fixture calculations. To determine the occupant load of each sex, the total occupant load shall be divided in half. To determine the required number of fixtures, the fixture ratio or ratios for each fixture type shall be applied to the occupant load of each sex in accordance with Table 403.1. Fractional numbers resulting from applying the fixture ratios of Table 403.1 shall be rounded up to the next whole number. For calculations involving multiple *occupancies*, such fractional numbers for each *occupancy* shall first be summed and then rounded up to the next whole number.

Exceptions:

1. The total occupant load shall not be required to be divided in half where *approved* statistical data indicate a distribution of the sexes of other than 50 percent of each sex.
2. Where multiple-user facilities are designed to serve all genders, the minimum fixture count shall be calculated 100 percent, based on total occupant load. In such multiple-user facilities, each fixture type shall be in accordance with ICC A117.1 and each urinal that is provided shall be located in a stall.
3. Distribution of the sexes is not required where single-user water closets and bathing room fixtures are provided in accordance with Section 403.1.2.

403.2 Separate facilities. Where plumbing fixtures are required, separate facilities shall be provided for each sex.

Exceptions:

1. Separate facilities shall not be required for dwelling units and sleeping units.
2. Separate facilities shall not be required in structures or tenant spaces with a total occupant load, including both employees and customers, of 15 or fewer.
3. Separate facilities shall not be required in mercantile *occupancies* in which the maximum occupant load is 100 or fewer.
4. Separate facilities shall not be required in business *occupancies* in which the maximum occupant load is 25 or fewer.
5. Separate facilities shall not be required to be designated by sex where single-user toilet rooms are provided in accordance with Section 403.1.2.
6. Separate facilities shall not be required where rooms having both water closets and lavatory fixtures are designed for use by both sexes and privacy for water closets is provided in accordance with Section 405.3.4. Urinals shall be located in an area visually separated from the remainder of the facility or each urinal that is provided shall be located in a stall.

Committee Action: AS AM D

605 NEW-PAARLBERG.doc

| | | |
|--|-----------------------------------|----------------------------------|
| Report for 06-31- 2021 | | |
| Committee decision: AS/AM/D | Committee Vote at Meeting: | Committee Vote on Ballot: |
| REPORT OF HEARING: | | |
| Modification (if any): | | |
| Committee Reason: | | |
| PUBLIC COMMENT- FIRST DRAFT: | | |
| Proponent: | | |
| Desired Action: | | |
| Modification: | | |
| Reason: | | |
| Committee decision: AS/AM/D | Committee Vote at Meeting: | Committee Vote on Ballot: |
| REPORT OF HEARING – FIRST DRAFT | | |
| Modification (if any): | | |
| Committee Reason: | | |
| PUBLIC COMMENT- SECOND DRAFT: | | |
| Proponent: | | |
| Desired Action: | | |
| Modification: | | |
| Reason: | | |
| Committee decision: AS/AM/D | Committee Vote at Meeting: | Committee Vote on Ballot: |
| FINAL ACTION: | | |

| |
|-------------------------------|
| Report for 06-31- 2021 |
|-------------------------------|

| |
|------------------------|
| Modification (if any): |
|------------------------|

| |
|-------------------|
| Committee Reason: |
|-------------------|

06-32 – 2021
605.3, 605.4

Proponent: Gene Boecker, Code Consultants, Inc.

Revise as follows:

SECTION 605
URINALS

605.3 Clear floor space. A clear floor space positioned for forward approach shall be provided measured from front, exterior the rim of the urinal.

605.4 Flush controls. Flush controls shall be hand operated or automatic. Hand operated flush controls shall comply with Section 309.

Exception: The clear floor space shall not be required to extend under the urinal for the purposes of Section 308.2 where the controls have a high reach of 44 inches (1120 mm) maximum.

REASON: These two proposals seek to address commonly understood but not written ways that the provisions are interpreted. First, due to the height and configuration of the urinal, a clear floor space cannot be provided under the urinal so the measurement must begin at the front rim of the fixtures. However, this creates a problem for proper application of the flush control section. Now that we clearly state in 308.2.2 that the “knee and toe clearance complying with Section 306 shall extend beneath the element for a distance not less than the required reach depth over the obstruction” the text effectively prohibits a flush control that does not project at least as far from the wall as the rim of the urinal. This type of configuration has never been applied and would interfere with the effective use of the urinal.

The exception recognizes the fact that the reach must by necessity be further than the obstruction and reinserts the 44-inch height that was in earlier editions of the A117.1 and ADAAG. It is also consistent with the height noted in the California Building Code’s amended text for urinal flush control height. Together, these two provisions put in writing the manner in which these provisions have been interpreted.

Committee Action: AS AM D

605.3_605.4-BOECKER.doc

| | | |
|--|-----------------------------------|----------------------------------|
| Report for 06-32– 2021 | | |
| <i>Committee decision: AS/AM/D</i> | <i>Committee Vote at Meeting:</i> | <i>Committee Vote on Ballot:</i> |
| REPORT OF HEARING: | | |
| Modification (if any): | | |
| Committee Reason: | | |
| PUBLIC COMMENT- FIRST DRAFT: | | |
| Proponent: | | |
| Desired Action: | | |
| Modification: | | |
| Reason: | | |
| <i>Committee decision: AS/AM/D</i> | <i>Committee Vote at Meeting:</i> | <i>Committee Vote on Ballot:</i> |
| REPORT OF HEARING – FIRST DRAFT | | |

| | | |
|--------------------------------------|-----------------------------------|----------------------------------|
| Report for 06-32- 2021 | | |
| Modification (if any): | | |
| Committee Reason: | | |
| PUBLIC COMMENT- SECOND DRAFT: | | |
| Proponent: | | |
| Desired Action: | | |
| Modification: | | |
| Reason: | | |
| Committee decision: AS/AM/D | Committee Vote at Meeting: | Committee Vote on Ballot: |
| FINAL ACTION: | | |
| Modification (if any): | | |
| Committee Reason: | | |

06-33 – 2021

606.2

Proponent: Kimberly Paarlberg, International Code Council

Revise as follows:

SECTION 606 LAVATORIES AND SINKS

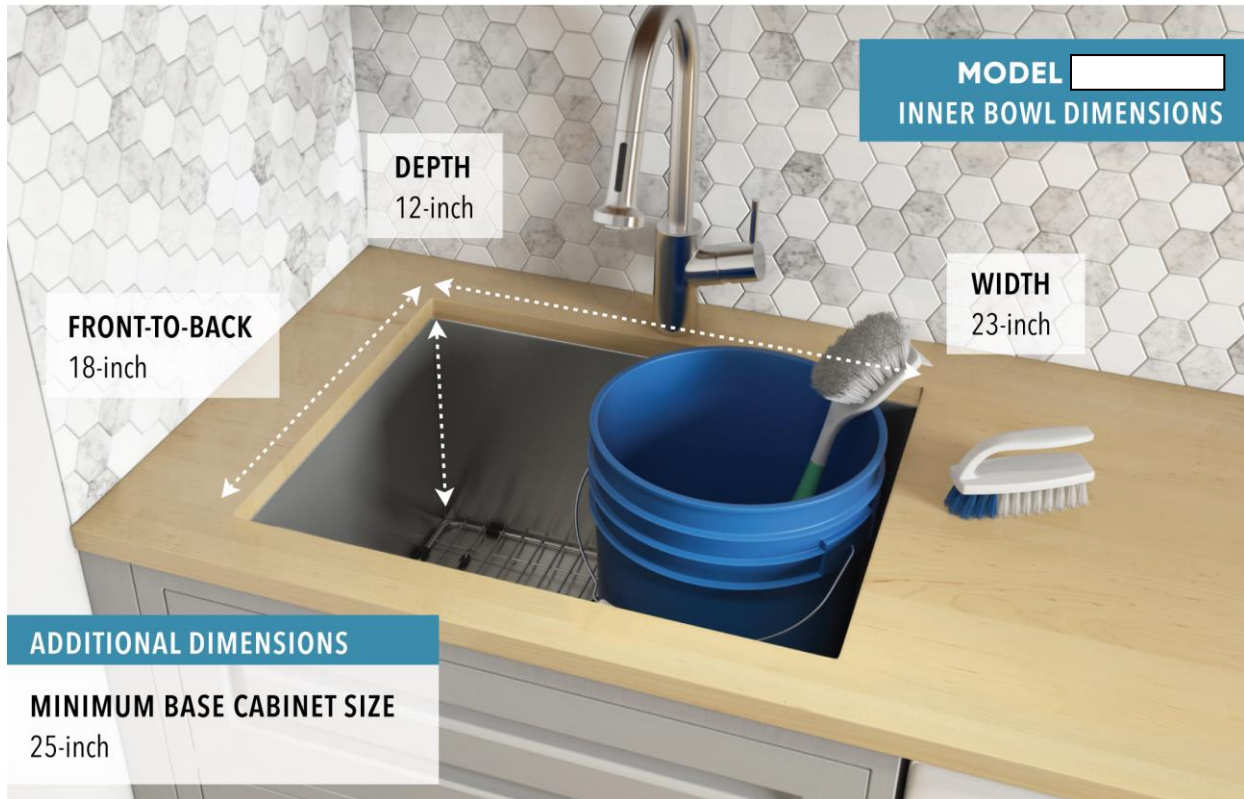
606.2 Clear floor space. A clear floor space complying with Section 305.3, positioned for forward approach, shall be provided. Knee and toe clearance complying with Section 306 shall be provided. The dip of the overflow shall not be considered in determining knee and toe clearances.

Exceptions:

1. A clear floor space providing a parallel approach shall be permitted at a kitchen sink in a space where a cook top or conventional range is not provided.
2. For other than sinks in kitchens, where a sink requires a deep basin to perform its intended purpose or requires a specialized drain that cannot be located outside of the knee space, a parallel approach shall be permitted to be located adjacent to the sink.
- 2.3 The requirement for knee and toe clearance shall not apply to a lavatory in a toilet or bathing facility for a single occupant, accessed only through a private office and not for common use or public use.
- 3.4 A knee clearance of 24 inches (610 mm) minimum above the floor shall be permitted at lavatories and sinks used primarily by children ages 6 through 12 where the higher of the rim or counter surface is 31 inches (785 mm) maximum above the floor.
- 4.5 A clear floor space providing a parallel approach shall be permitted at lavatories and sinks used primarily by children ages 5 and younger.
- 5.6 The requirement for knee and toe clearance shall not apply to more than one bowl of a multibowl sink.
- 6.7 A clear floor space providing a parallel approach shall be permitted at wet bars.

REASON: This was proposed to the I-codes in E143-21. An added exception is provided that allows a parallel approach to the sink where the sink must be of a kind that a forward approach is not possible. This happens at medical scrub sinks, art sinks, laboratory sinks and similar sinks where caustic or extremely hot liquids may be poured and the sink is of a depth to minimize the potential that these dangerous liquids could splash out and adversely affect the surrounding materials or people. In certain instances, the drain configuration itself, in order to provide this protection, is designed such that adequate knee space is not possible for a forward approach. In these cases, although access is not possible for a forward approach, a parallel approach would still be acceptable, in order to limit the hazard to an individual using a mobility device and yet afford access. In work environments, this can be addressed through reasonable accommodations. However, teaching facilities such as high school art rooms, college labs, teaching hospitals and similar facilities require accessibility since the student station is not an employee workstation.

This addresses the issue directly without the need to seek a waiver or code modification. Access to the faucet and any other controls would still be required and would still need to be addressed in the design. It provided access but recognizes that different types of sinks may require different solutions for that access.



Committee Action: AS AM D

606.2-PAARLBERG.doc

| | | |
|--|-----------------------------------|----------------------------------|
| Report for 06-33– 2021 | | |
| <i>Committee decision: AS/AM/D</i> | <i>Committee Vote at Meeting:</i> | <i>Committee Vote on Ballot:</i> |
| REPORT OF HEARING: | | |
| Modification (if any): | | |
| Committee Reason: | | |
| PUBLIC COMMENT- FIRST DRAFT: | | |
| Proponent: | | |
| Desired Action: | | |
| Modification: | | |
| Reason: | | |
| <i>Committee decision: AS/AM/D</i> | <i>Committee Vote at Meeting:</i> | <i>Committee Vote on Ballot:</i> |
| REPORT OF HEARING – FIRST DRAFT | | |
| Modification (if any): | | |
| Committee Reason: | | |
| PUBLIC COMMENT- SECOND DRAFT: | | |
| Proponent: | | |
| Desired Action: | | |
| Modification: | | |
| Reason: | | |
| <i>Committee decision: AS/AM/D</i> | <i>Committee Vote at Meeting:</i> | <i>Committee Vote on Ballot:</i> |
| FINAL ACTION: | | |
| Modification (if any): | | |
| Committee Reason: | | |

06-34 – 2021
606.4

Proponent: Kyle Thompson, Plumbing Manufacturers International (PMI)

Revise as follows:

SECTION 606
LAVATORIES AND SINKS

606.4 Faucets. Faucets shall comply with Section 309. Hand-operated metering faucets shall remain open for 10 seconds minimum.

Exception: Automatic faucets shall be permitted where the activation complies with Section 308.2.2 not be required to comply with Section 309 provided that the reach depth to activate the faucets and the reach depth to the water flow is 11 inches (280 mm) maximum.

REASON: With new technology allowing automatic faucets to be activated with motion or touch, they should be allowed to comply with the same reach requirements as manual-operated faucets as required in Section 308.2.2. This proposed change does not impact the more restrictive reach range requirements in Section 606.5.

Committee Action: AS AM D

606.4-THOMPSON.doc

| | | |
|--|-----------------------------------|----------------------------------|
| Report for 06-34– 2021 | | |
| <i>Committee decision: AS/AM/D</i> | <i>Committee Vote at Meeting:</i> | <i>Committee Vote on Ballot:</i> |
| REPORT OF HEARING: | | |
| Modification (if any): | | |
| Committee Reason: | | |
| PUBLIC COMMENT- FIRST DRAFT: | | |
| Proponent: | | |
| Desired Action: | | |
| Modification: | | |
| Reason: | | |
| <i>Committee decision: AS/AM/D</i> | <i>Committee Vote at Meeting:</i> | <i>Committee Vote on Ballot:</i> |
| REPORT OF HEARING – FIRST DRAFT | | |
| Modification (if any): | | |
| Committee Reason: | | |
| PUBLIC COMMENT- SECOND DRAFT: | | |
| Proponent: | | |
| Desired Action: | | |
| Modification: | | |
| Reason: | | |
| <i>Committee decision: AS/AM/D</i> | <i>Committee Vote at Meeting:</i> | <i>Committee Vote on Ballot:</i> |
| FINAL ACTION: | | |
| Modification (if any): | | |
| Committee Reason: | | |

06-35 – 2021
606.5

Proponent: Kyle Thompson, Plumbing Manufacturers International (PMI)

Revise as follows:

SECTION 606
LAVATORIES AND SINKS

606.5 Lavatories with enhanced reach range. Where enhanced reach range is required at lavatories, faucets and soap dispenser controls shall have a reach depth of 11 inches (280 mm) maximum. Water and soap ~~outlets~~ streams shall be provided with a reach depth of 11 inches (280 mm) maximum. The lavatory shall be 34 inches (865 mm) maximum above the floor, measured to the higher of the rim or counter surface.

Exceptions:

1. Enhanced reach range faucets shall not be required on lavatories provided with automatic faucets where the reach depth to activate the faucets and the reach depth to the water ~~outlet~~ stream is 11 inches (280 mm) maximum.
2. Enhanced reach range soap dispensers shall not be required on lavatories provided with automatic dispensers where the reach depth to activate the soap dispensers and the reach depth to the soap ~~outlet~~ stream is 11 inches (280 mm) maximum.

REASON: The user’s concern is reaching the water or soap stream and not necessarily the outlet on the faucet or soap dispenser. The proposed change clarifies the intent of the section.

Committee Action: AS AM D

606.5-THOMPSON.doc

| | | |
|--|-----------------------------------|----------------------------------|
| Report for 06-35– 2021 | | |
| <i>Committee decision: AS/AM/D</i> | <i>Committee Vote at Meeting:</i> | <i>Committee Vote on Ballot:</i> |
| REPORT OF HEARING: | | |
| Modification (if any): | | |
| Committee Reason: | | |
| PUBLIC COMMENT- FIRST DRAFT: | | |
| Proponent: | | |
| Desired Action: | | |
| Modification: | | |
| Reason: | | |
| <i>Committee decision: AS/AM/D</i> | <i>Committee Vote at Meeting:</i> | <i>Committee Vote on Ballot:</i> |
| REPORT OF HEARING – FIRST DRAFT | | |
| Modification (if any): | | |
| Committee Reason: | | |
| PUBLIC COMMENT- SECOND DRAFT: | | |
| Proponent: | | |
| Desired Action: | | |
| Modification: | | |
| Reason: | | |
| <i>Committee decision: AS/AM/D</i> | <i>Committee Vote at Meeting:</i> | <i>Committee Vote on Ballot:</i> |
| FINAL ACTION: | | |
| Modification (if any): | | |

Report for 06-35- 2021

Committee Reason:

06-36 – 2021

607.2, 607.3(New), 607.5, Figures 607.2(A), 607.2(B), 607.3(New), 607.5, 1103.2.5.1(A), 1103.2.5.1(B)

Proponent: Thomas Hirsch, FAIA, Hirsch Group Architecture, representing self; M. Bradley Gaskins, AIA; Gina Hillberry for United Cerebral Palsy; Joe Jurkiewicz, AIA; Marsha Mazz for United Spinal Association; Edward Steinfeld, Arch.D, AIA; and Steven R. Winkel, FAIA, PE, CASp

Revise as follows:

SECTION 607 BATHTUBS

607.2 Transfer Clearance. A transfer clearance in front of bathtubs extending the length of the bathtub and 30 inches (760 mm) minimum in depth shall be provided. Where a permanent seat is provided at the head end of the bathtub, the transfer clearance shall extend 12 inches (305 mm) minimum beyond the wall at the head end of the bathtub.

Note: The wall in the Figures 607.2(A) and 607.2(B) would be jogged to indicate the additional 4 inch toe clearance in the new Figure 607.3. The committee will need to decide if Figures 607.2(A) and 607.2 (B) should be revised to show the control clearance with the transfer clearance or if the control clearance should be in a separate Figure 607.3. The figure submitted indicates the transfer clearance moving forward, not an addition 4 inch control clearance as the text indicates.

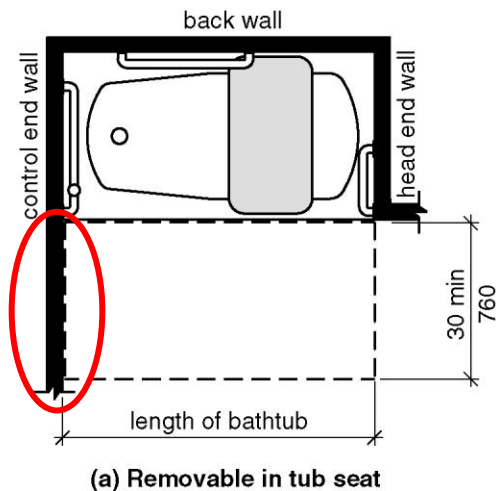


FIGURE 607.2(A)

TRANSFER CLEARANCE FOR BATHTUBS WITH REMOVABLE IN TUB SEATS

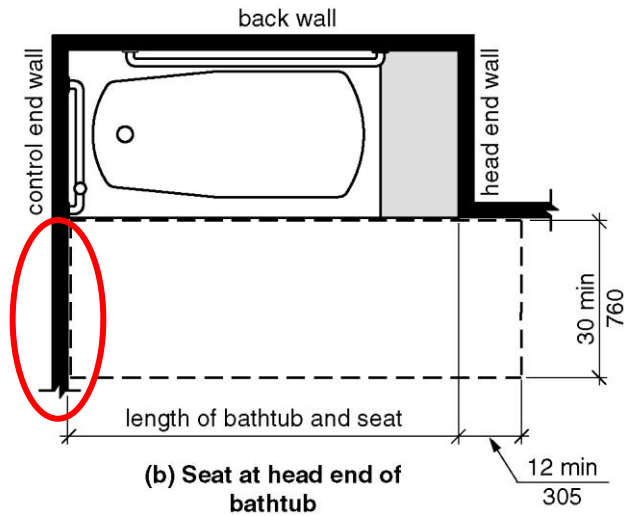


FIGURE 607.2(B)
TRANSFER CLEARANCE FOR BATHTUBS WITH SEAT AT HEAD END OF TUB

607.3 Control Clearance. The clear floor space for toe clearance at the controls shall extend 4 inches (100 mm) minimum beyond the control end wall.

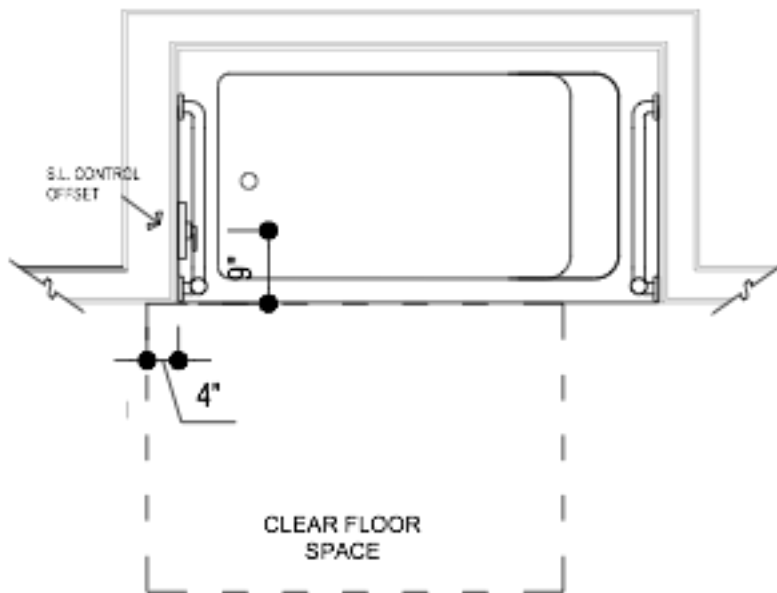
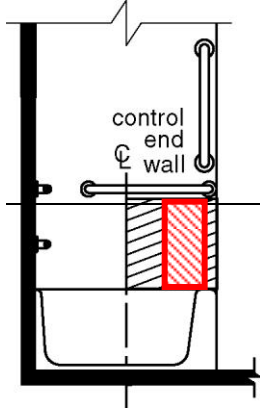


FIGURE 607.3
CLEARANCE FOR BATHTUBS CONTROLS

607.5 Controls. Controls, other than drain stoppers, shall be provided on an end wall, located between the bathtub rim and grab bar, and between the open side of the bathtub and the centerline of the width of the bathtub the centerline of controls measured from the approach side

of the bathtub shall be located 5 inches (127 mm) minimum and 9 inches (229 mm) maximum from the clear floor space. Controls shall comply with Section 309.4.

Note: The area for the controls in Figure 607.5 would be revised to the smaller area indicated in the revised text.



**FIGURE 607.5
LOCATION OF BATHTUB CONTROLS**

Note: The references from Accessible and Type A units are shown so that the committee is clear on how this proposal will affect unit requirements.

SECTION 1102 ACCESSIBLE UNITS

1102.11.2 Toilet and bathing facility. At least one toilet and bathing facility shall comply with Section 603. At least one lavatory, one water closet and either a bathtub or shower within the unit shall comply with Sections 604 through 610. These toilet and bathing fixtures shall be in a single toilet/bathing area, such that travel between fixtures does not require travel through other parts of the unit.

SECTION 1103 TYPE A UNITS

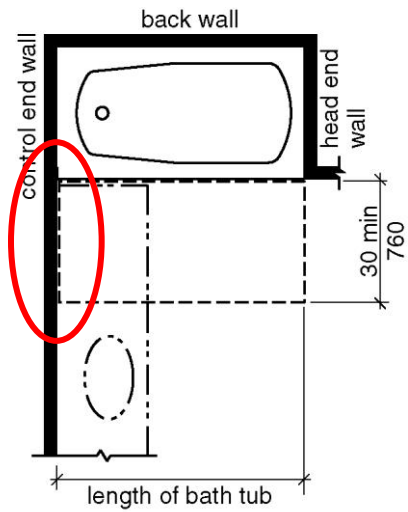
1103.11.2.5 Bathing fixtures. The bathing fixture shall be a bathtub complying with Section 1103.11.2.5.1 or a shower compartment complying with Section 1103.11.2.5.2.

1103.11.2.5.1 Bathtub. Bathtubs shall comply with Section 607.

Exception: Countertops and cabinetry shall be permitted at one end of the clearance, provided the following criteria are met:

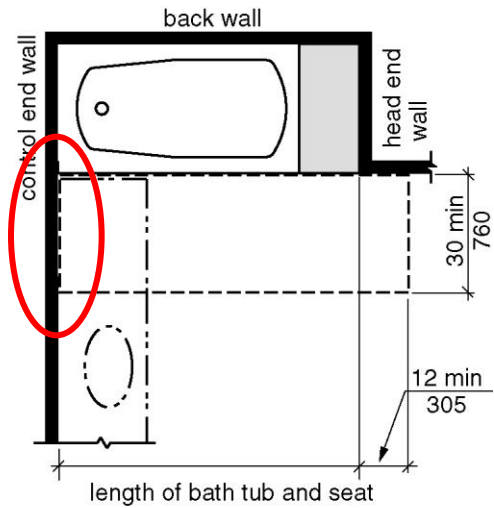
1. The countertop and cabinetry can be removed;
2. The floor finish extends under the countertop and cabinetry; and
3. The walls behind and surrounding the countertop and cabinetry are finished.

Note: The wall in the Figures 1103.11.2.5.1(A) and 1103.11.2.5.1(B) would be jogged to indicate the additional 4 inch control clearance in the new Figure 607.2.1



(a) Without Removable Seat

Figure 1103.11.2.5.1(A)
CLEARANCE FOR BATHTUBS IN TYPE A UNITS WITH REMOVABLE SEATS



(b) With Permanent Seat

Figure 1103.11.2.5.1(B)
CLEARANCE FOR BATHTUBS IN TYPE A UNITS WITH PERMANENT SEATS

REASON: Based on anthropometry, the provision of toe space past the control end of the fixture accomplishes realistic reach of the control for 90% of persons measured. In existing buildings “technical infeasibility” provides an exception for difficult situations.

Committee Action: AS AM D

607.2-HIRSCH.doc

| | | |
|--|-----------------------------------|----------------------------------|
| Report for 06-36– 2021 | | |
| <i>Committee decision: AS/AM/D</i> | <i>Committee Vote at Meeting:</i> | <i>Committee Vote on Ballot:</i> |
| REPORT OF HEARING: | | |
| Modification (if any): | | |
| Committee Reason: | | |
| PUBLIC COMMENT- FIRST DRAFT: | | |
| Proponent: | | |
| Desired Action: | | |
| Modification: | | |
| Reason: | | |
| <i>Committee decision: AS/AM/D</i> | <i>Committee Vote at Meeting:</i> | <i>Committee Vote on Ballot:</i> |
| REPORT OF HEARING – FIRST DRAFT | | |
| Modification (if any): | | |
| Committee Reason: | | |
| PUBLIC COMMENT- SECOND DRAFT: | | |
| Proponent: | | |
| Desired Action: | | |
| Modification: | | |
| Reason: | | |
| <i>Committee decision: AS/AM/D</i> | <i>Committee Vote at Meeting:</i> | <i>Committee Vote on Ballot:</i> |
| FINAL ACTION: | | |
| Modification (if any): | | |
| Committee Reason: | | |

06-37 – 2021

607.2, Figure 607.2(C)(New)

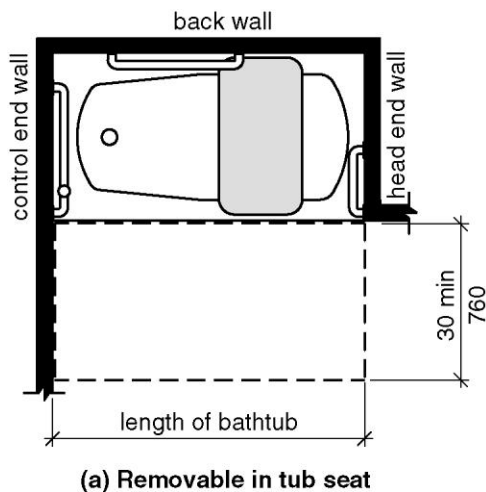
Proponent: Doug Anderson, representing A117.1 Accessible Bathing Task Group

Revise as follows:

SECTION 607 BATHTUBS

607.2 Clearance. A clearance in front of bathtubs extending the length of the bathtub and 30 inches (760 mm) minimum in depth shall be provided. Where a permanent seat or fixed folding in-tub seat is provided at the head end of the bathtub, the clearance shall extend 12 inches (305 mm) minimum beyond the wall at the head end of the bathtub.

Exception: In an existing bathtub where the interior size of the bathroom is not enlarged and a fixed folding in-tub seat is installed, the 12 inches (305 mm) clearance beyond wall at the head end of the bathtub is not required.



**FIGURE 607.2(A)
CLEARANCE FOR BATHTUBS WITH REMOVABLE IN TUB SEATS**

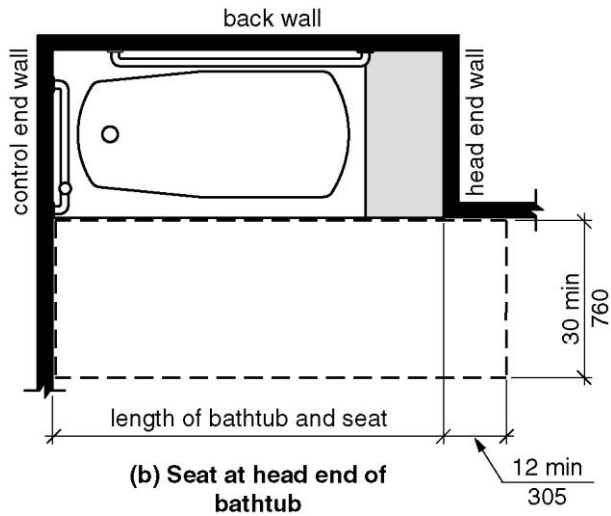


FIGURE 607.2(B)
CLEARANCE FOR BATHTUBS WITH SEAT AT HEAD END OF TUB

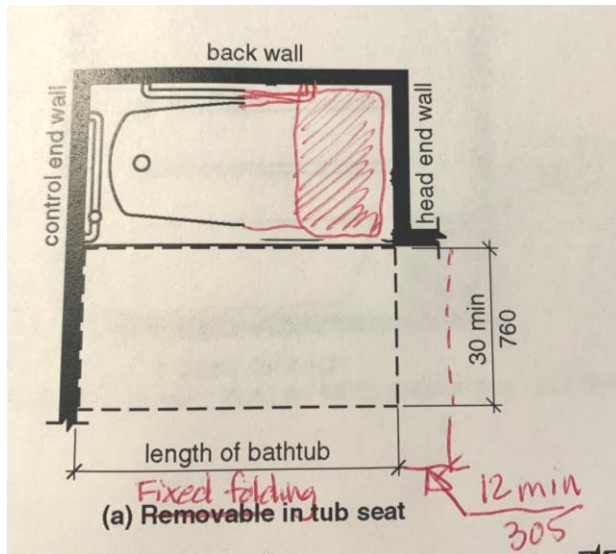


FIGURE 607.2(C)
CLEARANCE FOR BATHTUBS WITH FIXED FOLDING IN-TUB SEAT AT HEAD END OF TUB

Reason: Additional clearance would be needed when in tub seats are mounted on the headwall. The photos are to illustrate what this proposal is talking about.



Staff Note: This proposal is from the A117.1 Accessible Bathing Task Group. Proposals 06-37, 06-38, 06-41, 06-46 and 06-74 are all related to bathtubs with a fixed folding in-tub seat.

Committee Action: AS AM D

607.2_ANDERSON

| Report for 06-37– 2021 | | |
|--|-----------------------------------|----------------------------------|
| Committee decision: AS/AM/D | Committee Vote at Meeting: | Committee Vote on Ballot: |
| REPORT OF HEARING: | | |
| Modification (if any): | | |
| Committee Reason: | | |
| PUBLIC COMMENT- FIRST DRAFT: | | |
| Proponent: | | |
| Desired Action: | | |
| Modification: | | |
| Reason: | | |
| Committee decision: AS/AM/D | Committee Vote at Meeting: | Committee Vote on Ballot: |
| REPORT OF HEARING – FIRST DRAFT | | |
| Modification (if any): | | |
| Committee Reason: | | |
| PUBLIC COMMENT- SECOND DRAFT: | | |
| Proponent: | | |
| Desired Action: | | |
| Modification: | | |
| Reason: | | |
| Committee decision: AS/AM/D | Committee Vote at Meeting: | Committee Vote on Ballot: |
| FINAL ACTION: | | |
| Modification (if any): | | |
| Committee Reason: | | |

06-38 – 2021
607.3

Proponent: Doug Anderson, representing A117.1 Accessible Bathing Task Group

Revise as follows:

SECTION 607
BATHTUBS

607.3 Seat. A permanent seat at the head end of the bathtub, a fixed folding in-tub seat or a removable in-tub seat shall be provided. Seats shall comply with Section 610.

REASON: The industry is installing fixed folding in-tub seats and is proposing language to provide specifications for the location and adjacent features. The photos are to illustrate what this proposal is talking about.



Staff Note: This proposal is from the A117.1 Accessible Bathing Task Group. Proposals 06-37, 06-38, 06-41, 06-46 and 06-74 are all related to bathtubs with a fixed folding in-tub seat.

Committee Action: AS AM D

607.3 ANDERSON.doc

| | | |
|--|-----------------------------------|----------------------------------|
| Report for 06-38– 2021 | | |
| <i>Committee decision: AS/AM/D</i> | <i>Committee Vote at Meeting:</i> | <i>Committee Vote on Ballot:</i> |
| REPORT OF HEARING: | | |
| Modification (if any): | | |
| Committee Reason: | | |
| PUBLIC COMMENT- FIRST DRAFT: | | |
| Proponent: | | |
| Desired Action: | | |
| Modification: | | |
| Reason: | | |
| <i>Committee decision: AS/AM/D</i> | <i>Committee Vote at Meeting:</i> | <i>Committee Vote on Ballot:</i> |
| REPORT OF HEARING – FIRST DRAFT | | |
| Modification (if any): | | |
| Committee Reason: | | |
| PUBLIC COMMENT- SECOND DRAFT: | | |
| Proponent: | | |
| Desired Action: | | |
| Modification: | | |

Report for 06-38- 2021

Reason:

Committee decision: AS/AM/D**Committee Vote at Meeting:****Committee Vote on Ballot:****FINAL ACTION:**

Modification (if any):

Committee Reason:

06-39 – 2021
607.4

Proponent: Marsha Mazz, representing United Spinal Association

Revise as follows:

SECTION 607
BATHTUBS

607.4 Grab bars. Grab bars shall comply with Section 609 and shall be provided in accordance with Section 607.4.1 or 607.4.2. Horizontal grab bar height shall be measured to the top of the gripping surface and vertical grab bars distance from an object shall be measured to the centerline of the bar.

Exception: Grab bars shall not be required to be installed in a bathing facility for a single occupant accessed only through a private office and not for common use or public use, provided reinforcement has been installed in walls and located so as to permit the installation of grab bars complying with Section 607.4.

REASON: Section 609.4 requires horizontal grab bars to be measured to the top of the gripping surface. However, for bathtubs, that section allows an option to comply with Sections 607.4.1.1 (with permanent seats) or Section 607.4.2.1 (with removable seats). We don't believe this should be an option and will propose a correlating change to Section 609.1 to address this and other problems with the requirements.

This proposal specifies that horizontal grab bars installed in bathtubs must be measured to the top of the gripping surface just as is required by Section 609.4.1 for all other horizontal grab bars. The standard contains specifications for where vertical grab bars are to be measured only in one of six sections referenced in by Section 609.4.1, Section 604.5.1.2. Therefore, we are proposing a new requirement consistent with that section, to measure to the centerline of the vertical bar both in this section and in Section 609.4.1.

Please see our companion proposal to revise Section 609.4.

Staff Note: If this proposal passes, staff will correlate Figures 607.4.1(A) and (B), 607.4.2(A) and (B).

Committee Action: AS AM D

607.4-MAZZ.doc

| | | |
|-------------------------------------|-----------------------------------|----------------------------------|
| Report for 06-39- 2021 | | |
| <i>Committee decision: AS/AM/D</i> | <i>Committee Vote at Meeting:</i> | <i>Committee Vote on Ballot:</i> |
| REPORT OF HEARING: | | |
| Modification (if any): | | |
| Committee Reason: | | |
| PUBLIC COMMENT- FIRST DRAFT: | | |
| Proponent: | | |
| Desired Action: | | |
| Modification: | | |
| Reason: | | |

Report for 06-39- 2021

| | | |
|--|-----------------------------------|----------------------------------|
| <i>Committee decision: AS/AM/D</i> | <i>Committee Vote at Meeting:</i> | <i>Committee Vote on Ballot:</i> |
| REPORT OF HEARING – FIRST DRAFT | | |
| Modification (if any): | | |
| Committee Reason: | | |
| PUBLIC COMMENT- SECOND DRAFT: | | |
| Proponent: | | |
| Desired Action: | | |
| Modification: | | |
| Reason: | | |
| <i>Committee decision: AS/AM/D</i> | <i>Committee Vote at Meeting:</i> | <i>Committee Vote on Ballot:</i> |
| FINAL ACTION: | | |
| Modification (if any): | | |
| Committee Reason: | | |

06-40 – 2021

607.4.1.2.1, 607.4.2.3

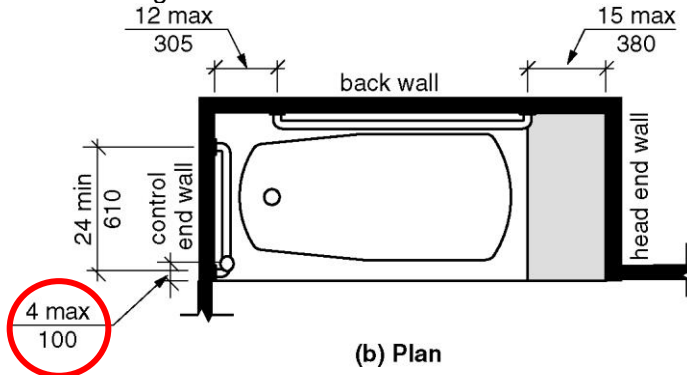
Proponent: Marsha Mazz, representing United Spinal Association

Revise as follows:

SECTION 607 BATHTUBS

607.4.1.2.1 Horizontal grab bar. A horizontal grab bar 24 inches (610 mm) minimum in length shall be provided on the control end wall ~~beginning near~~ 1 inch (25 mm) minimum and 4 inches (100 mm) maximum from the front edge of the bathtub and extending toward the inside corner of the bathtub.

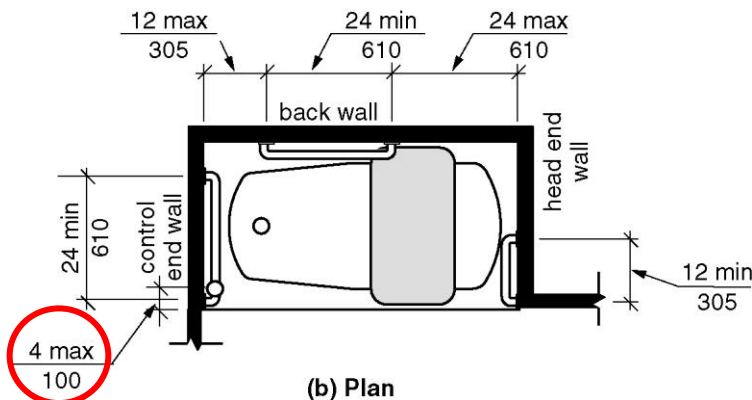
Note: Change dimension to match text.



**FIGURE 607.4.1(B)
GRAB BARS FOR BATHTUBS WITH SEAT AT HEAD END OF TUB - PLAN**

607.4.2.3 Head end wall. A horizontal grab bar 12 inches (305 mm) minimum in length shall be provided on the head end wall at 1 inch (25 mm) minimum and 4 inches (100 mm) maximum from the front edge of the bathtub.

Note: Change dimension to match text.



**FIGURE 607.4.2(B)
GRAB BARS FOR BATHTUBS WITH REMOVABLE SEATS - PLAN**

REASON: In Section 607.4.1.2.1, the word “near” does not provide enough guidance to avoid disagreements in the field. A specific dimension will help to avoid the potential that an installation will be rejected because it is not “near enough” to the front edge of the bath tub. We are proposing the same change to Section 607.4.2.3 for the sake of consistency and to provide some flexibility so that the grab bar does not interfere with a shower curtain.

Staff note: If this proposal passes, figures will be revises.

Committee Action: AS AM D

607.4.1.2.1-MAZZ.doc

| | | |
|--|-----------------------------------|----------------------------------|
| Report for 06-40- 2021 | | |
| <i>Committee decision: AS/AM/D</i> | <i>Committee Vote at Meeting:</i> | <i>Committee Vote on Ballot:</i> |
| REPORT OF HEARING: | | |
| Modification (if any): | | |
| Committee Reason: | | |
| PUBLIC COMMENT- FIRST DRAFT: | | |
| Proponent: | | |
| Desired Action: | | |
| Modification: | | |
| Reason: | | |
| <i>Committee decision: AS/AM/D</i> | <i>Committee Vote at Meeting:</i> | <i>Committee Vote on Ballot:</i> |
| REPORT OF HEARING – FIRST DRAFT | | |
| Modification (if any): | | |
| Committee Reason: | | |
| PUBLIC COMMENT- SECOND DRAFT: | | |
| Proponent: | | |
| Desired Action: | | |
| Modification: | | |
| Reason: | | |
| <i>Committee decision: AS/AM/D</i> | <i>Committee Vote at Meeting:</i> | <i>Committee Vote on Ballot:</i> |
| FINAL ACTION: | | |
| Modification (if any): | | |
| Committee Reason: | | |

06-41 – 2021

607.4.3(New), 607.4.3.1(New), 607.4.3.2(New), 607.4.3.2.1(New),
607.4.3.2.2(New), Figures 607.4.3(A) and (B)(New)

Proponent: Doug Anderson, representing A117.1 Accessible Bathing Task Group

Add new text as follows:

SECTION 607 BATHTUBS

607.4.3 Bathtubs with fixed folding in-tub seats. For bathtubs with fixed folding in-tub seats, grab bars complying with Section 607.4.3 shall be provided.

607.4.3.1 Back wall. Two horizontal grab bars shall be provided on the back wall, one complying with Section 609.4 and the other located 8 inches (205 mm) minimum and 10 inches (255 mm) maximum above the rim of the bathtub. Each grab bar shall be 30 inches (610mm) minimum in length, located 18 inches (610 mm) maximum from the head end wall and extend to 12 inches (305 mm) maximum from the control end wall.

607.4.3.2 Control end wall. Control end wall grab bars shall comply with Section 607.4.3.2.
Exception: An L-shaped continuous grab bar of equivalent dimensions and positioning shall be permitted to serve the function of separate vertical and horizontal grab bars.

607.4.3.2.1 Horizontal grab bar. A horizontal grab bar 24 inches (610 mm) minimum in length shall be provided on the control end wall beginning near the front edge of the bathtub and extending toward the inside corner of the bathtub.

607.4.3.2.2 Vertical grab bar. A vertical grab bar 18 inches (455 mm) minimum in length shall be provided on the control end wall 3 inches (75 mm) minimum and 6 inches (150 mm) maximum above the horizontal grab bar, and 4 inches (100 mm) maximum inward from the front edge of the bathtub.

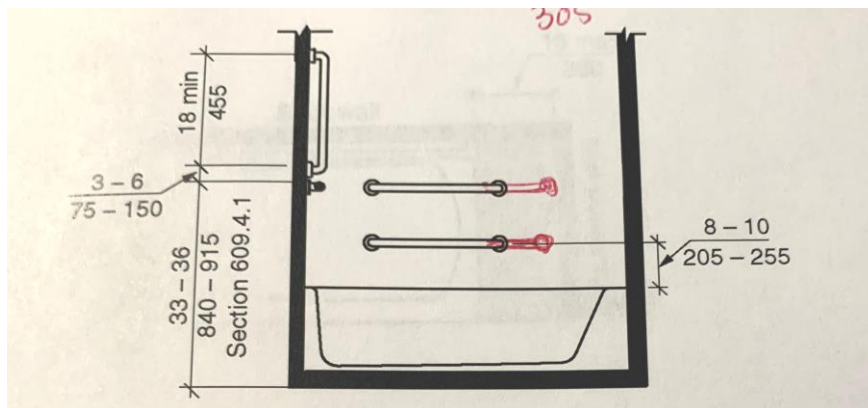


Figure 607.4.3(A)

Grab bars for bathtubs with fixed folding in-tub seats – Elevation

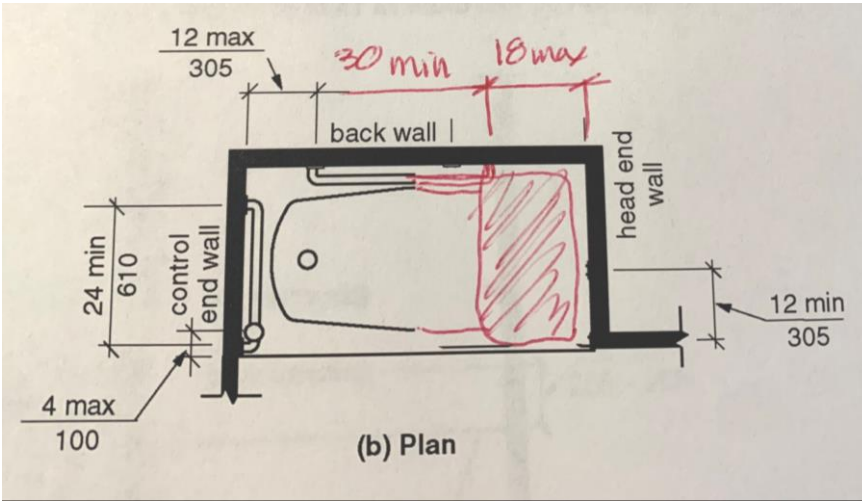


Figure 607.4.3(B)

Grab bars for bathtubs with fixed folding in-tub seats – Plan

REASON: Grab bars need to be closer to the head wall when the in-tub seats is mounted on the headwall. The photos are to illustrate what this proposal is talking about.



Staff Note: This proposal is from the A117.1 Accessible Bathing Task Group. Proposals 06-37, 06-38, 06-41, 06-46 and 06-74 are all related to bathtubs with a fixed folding in-tub seat.

Committee Action: AS AM D

607.4.3-ANDERSON.doc

| | | |
|-------------------------------|----------------------------|---------------------------|
| Report for 06-41– 2021 | | |
| Committee decision: AS/AM/D | Committee Vote at Meeting: | Committee Vote on Ballot: |

| | | |
|--|-----------------------------------|----------------------------------|
| Report for 06-41– 2021 | | |
| REPORT OF HEARING: | | |
| Modification (if any): | | |
| Committee Reason: | | |
| PUBLIC COMMENT- FIRST DRAFT: | | |
| Proponent: | | |
| Desired Action: | | |
| Modification: | | |
| Reason: | | |
| <i>Committee decision: AS/AM/D</i> | <i>Committee Vote at Meeting:</i> | <i>Committee Vote on Ballot:</i> |
| REPORT OF HEARING – FIRST DRAFT | | |
| Modification (if any): | | |
| Committee Reason: | | |
| PUBLIC COMMENT- SECOND DRAFT: | | |
| Proponent: | | |
| Desired Action: | | |
| Modification: | | |
| Reason: | | |
| <i>Committee decision: AS/AM/D</i> | <i>Committee Vote at Meeting:</i> | <i>Committee Vote on Ballot:</i> |
| FINAL ACTION: | | |
| Modification (if any): | | |
| Committee Reason: | | |

06-42 – 2021

607.5, 607.5.1(New), 607.5.2(New), Figure 607.5, 607.5.1(New)

Proponent: Hope Reed, ADA Accessibility Consultant, representing self

Revise as follows:

SECTION 607 BATHTUBS

607.5 Controls. Controls, other than drain stoppers, shall be provided at two locations, on an end wall and the back wall. Back walls controls shall comply with Section 607.5.1. End wall controls shall comply with Section 607.5.2.

607.5.1 Back wall controls. Controls shall be located on the back wall at a height of 38 inches (965 mm) minimum and 48 inches (1220 mm) maximum above the bathtub floor and 16 inches (405 mm) minimum and 27 inches (685 mm) maximum from the wall behind the seat.

Note: Add two new figures with dimensions to match text for rear wall controls.

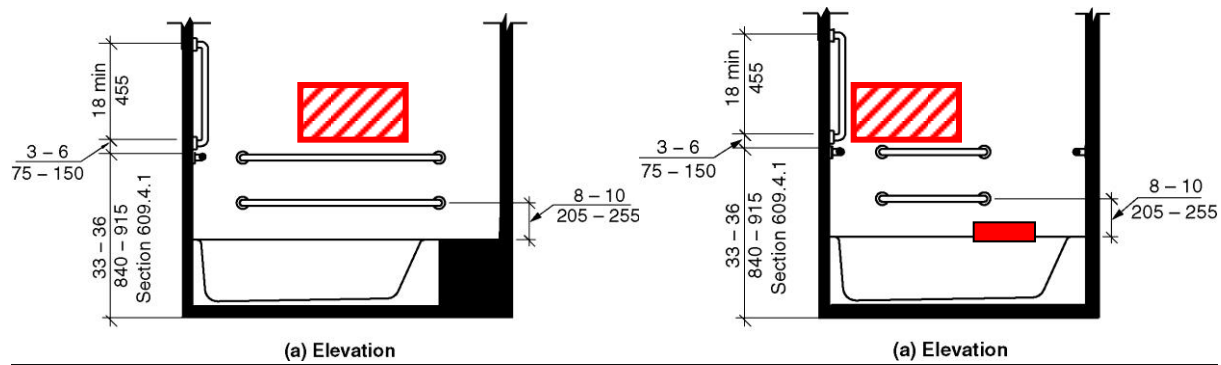
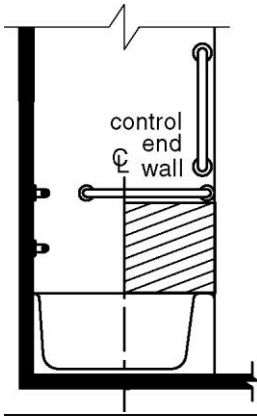


Figure 607.5.1

Location of bathtub controls on back walls

607.5.2 End wall controls. Controls shall be located between the bathtub rim and grab bar, and between the open side of the bathtub and the centerline of the width of the bathtub. Controls shall comply with 309.4.



**FIGURE 607.5 607.5.2
LOCATION OF BATHTUB CONTROLS ON END WALL**

REASON: *Provide controls for people using the permanent seat and those who need to stand using the permanently fixed shower head located at the foot end. Serve varying levels of disability and allow a standard showering set up for care giver, spouse, and friends who will be sharing one bathroom with a person who uses the shower seat. Controls at both locations are important for safety by reducing the need to turn on a wet shower floor.*

Committee Action: AS AM D

607.5-REED.doc

| | | |
|--|-----------------------------------|----------------------------------|
| Report for 06-42- 2021 | | |
| <i>Committee decision: AS/AM/D</i> | <i>Committee Vote at Meeting:</i> | <i>Committee Vote on Ballot:</i> |
| REPORT OF HEARING: | | |
| Modification (if any): | | |
| Committee Reason: | | |
| PUBLIC COMMENT- FIRST DRAFT: | | |
| Proponent: | | |
| Desired Action: | | |
| Modification: | | |
| Reason: | | |
| <i>Committee decision: AS/AM/D</i> | <i>Committee Vote at Meeting:</i> | <i>Committee Vote on Ballot:</i> |
| REPORT OF HEARING – FIRST DRAFT | | |
| Modification (if any): | | |
| Committee Reason: | | |
| PUBLIC COMMENT- SECOND DRAFT: | | |
| Proponent: | | |
| Desired Action: | | |
| Modification: | | |
| Reason: | | |
| <i>Committee decision: AS/AM/D</i> | <i>Committee Vote at Meeting:</i> | <i>Committee Vote on Ballot:</i> |
| FINAL ACTION: | | |
| Modification (if any): | | |
| Committee Reason: | | |

06-43 – 2021

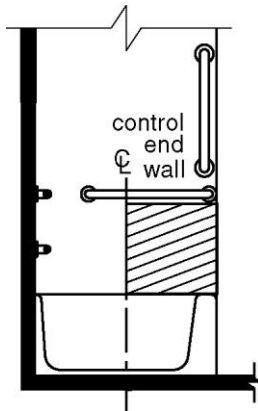
607.5, 608.4, 608.4.1, 608.4.2, 608.4.3

Proponent: Kyle Thompson, Plumbing Manufacturers International (PMI)

Revise as follows:

SECTION 607 BATHTUBS

607.5 Controls. Temperature and on-or-off flow controls for bathtubs or combination tub-or-showers, and controls for shower diversion, Controls other than drain stoppers, shall be provided on an end wall, located between the bathtub rim and grab bar, and between the open side of the bathtub and the centerline of the width of the bathtub. Such controls shall comply with Section 309.4.



**FIGURE 607.5
LOCATION OF BATHTUB CONTROLS**

SECTION 608 SHOWER COMPARTMENTS

608.4 Controls and hand showers. Controls for temperature and on-or-off flow controls for showers and where provided, controls for shower diversion, and hand showers shall comply with Sections 608.4.1 through Section 608.4.3 and Section 309.4.

608.4.1 Transfer-type showers. In transfer-type showers, the controls ~~and hand shower~~ shall be located in accordance with all of the following:

1. On the control wall opposite the seat.
2. At a height of 38 inches (965 mm) minimum and 48 inches (1220 mm) maximum above the shower floor, and
3. 15 inches (380 mm) maximum, from the centerline of the control wall toward the shower opening.

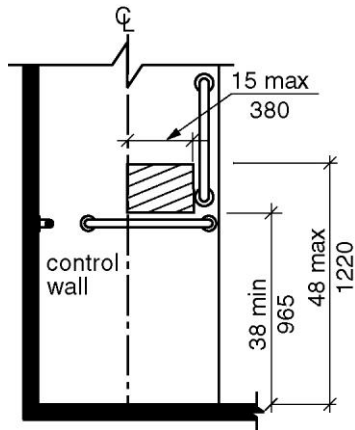


FIGURE 608.4.1
TRANSFER-TYPE SHOWER CONTROLS AND HAND SHOWER LOCATION

608.4.2 Standard roll-in showers. In standard roll-in showers, the controls ~~and hand shower~~ shall be located above the seat. The controls and hand showers shall be located in accordance with all of ~~according to~~ the following:

1. On the back wall,
2. At a height of 38 inches (965 mm) minimum and 48 inches (1220 mm) maximum above the shower floor and
3. 16 inches (405 mm) minimum and 27 inches (685 mm) maximum from the wall behind the seat.

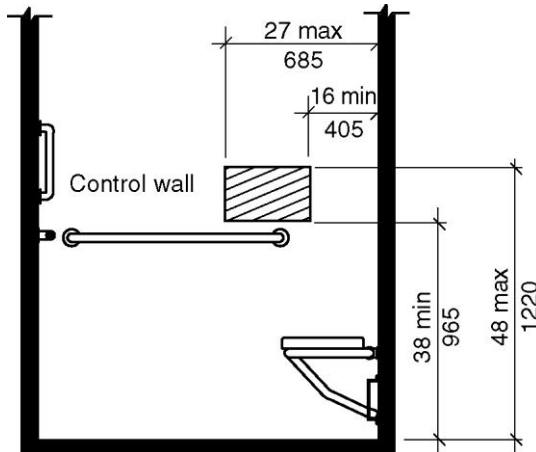
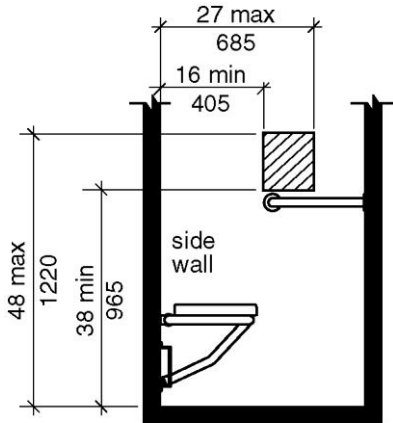


FIGURE 608.4.2
STANDARD ROLL-IN-TYPE SHOWER CONTROLS AND HAND SHOWER LOCATION

608.4.3 Alternate roll-in showers. In alternate roll-in showers, the controls ~~and hand shower~~ shall be located at a height of not less than 38 inches (965 mm) and not greater than 48 inches above the shower floor, and in accordance with one of the following:

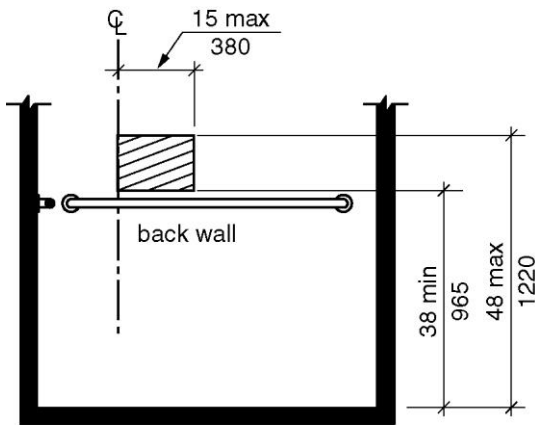
1. At a height of 38 inches (965 mm) minimum and 48 inches (1220 mm) maximum above the shower floor, and

1. ~~2.~~ Where the controls and hand shower are located on the end wall adjacent to the seat, the controls and hand shower shall be 16 inches (405 mm) minimum and 27 inches (685 mm) maximum from the wall behind the seat wall, or
2. ~~3.~~ Where the controls and hand shower are located on the back wall opposite the seat, the controls and hand shower shall be located within 15 inches (380 mm) maximum from the centerline of the seat toward the transfer space.



(a)
Side Wall
(Elevation)

**FIGURE 608.4.3(A)
ALTERNATE ROLL-IN-TYPE SHOWER CONTROLS AND HAND SHOWER
LOCATION - END WALL - ELEVATION**



(b)
Back Wall
(Elevation)

**FIGURE 608.4.3(B)
ALTERNATE ROLL-IN-TYPE SHOWER CONTROLS AND HAND SHOWER
LOCATION - CONTROL WALL - ELEVATION**

REASON: As shown in Figures 607.5, 608.4.1, 608.4.2, 608.4.3(A) and 608.4.3(B) below, inspectors have on occasion enforced that the means to hold the hand shower be located in the

shaded area along with other controls. The proposed code change clarifies that only temperature, on-or-off flow and shower diversion controls are required to be located in the shaded area as it impossible in most instances to include all of these controls along with the means to hold the hand shower in such small spaces. Also, the proposed modifications make it clear that only temperature, on-or-off flow controls and shower diversion controls are required to meet the requirements of Section 309.4. It should be noted that requirements for hand showers are already addressed in Sections 607.6 and 608.5.

Committee Action: AS AM D

607.5 THOMPSON.doc

| | | |
|--|-----------------------------------|----------------------------------|
| Report for 06-43- 2021 | | |
| <i>Committee decision: AS/AM/D</i> | <i>Committee Vote at Meeting:</i> | <i>Committee Vote on Ballot:</i> |
| REPORT OF HEARING: | | |
| Modification (if any): | | |
| Committee Reason: | | |
| PUBLIC COMMENT- FIRST DRAFT: | | |
| Proponent: | | |
| Desired Action: | | |
| Modification: | | |
| Reason: | | |
| <i>Committee decision: AS/AM/D</i> | <i>Committee Vote at Meeting:</i> | <i>Committee Vote on Ballot:</i> |
| REPORT OF HEARING – FIRST DRAFT | | |
| Modification (if any): | | |
| Committee Reason: | | |
| PUBLIC COMMENT- SECOND DRAFT: | | |
| Proponent: | | |
| Desired Action: | | |
| Modification: | | |
| Reason: | | |
| <i>Committee decision: AS/AM/D</i> | <i>Committee Vote at Meeting:</i> | <i>Committee Vote on Ballot:</i> |
| FINAL ACTION: | | |
| Modification (if any): | | |
| Committee Reason: | | |

06-44 – 2021

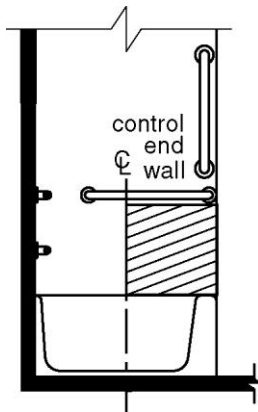
607.5, 608.4, 608.4.1, 608.4.2, 608.4.3

Proponent: Kimberly Paarlberg, International Code Council

Revise as follows:

SECTION 607 BATHTUBS

607.5 Controls. The operable portion of controls ~~Controls~~, other than drain stoppers, shall be provided on an end wall, located between the bathtub rim and grab bar, and between the open side of the bathtub and the centerline of the width of the bathtub. Controls shall comply with Section 309.4.



**FIGURE 607.5
LOCATION OF BATHTUB CONTROLS**

SECTION 608 SHOWER COMPARTMENTS

608.4 Controls and hand showers. The operable portion of controls ~~Controls~~ and hand showers shall comply with Sections 608.4 and 309.4.

608.4.1 Transfer-type showers. In transfer-type showers, the operable portion of controls and hand shower shall be located:

1. On the control wall opposite the seat.
2. At a height of 38 inches (965 mm) minimum and 48 inches (1220 mm) maximum above the shower floor, and
3. 15 inches (380 mm) maximum, from the centerline of the control wall toward the shower opening.

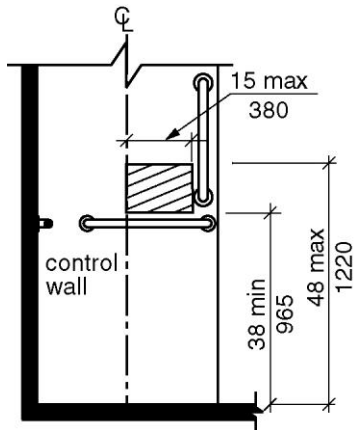


FIGURE 608.4.1
TRANSFER-TYPE SHOWER CONTROLS AND HAND SHOWER LOCATION

608.4.2 Standard roll-in showers. In standard roll-in showers, the operable portion of controls and hand shower shall not be located above the seat. Controls and hand showers shall be located according to the following:

1. On the back wall,
2. At a height of 38 inches (965 mm) minimum and 48 inches (1220 mm) maximum above the shower floor and
3. 16 inches (405 mm) minimum and 27 inches (685 mm) maximum from the wall behind the seat.

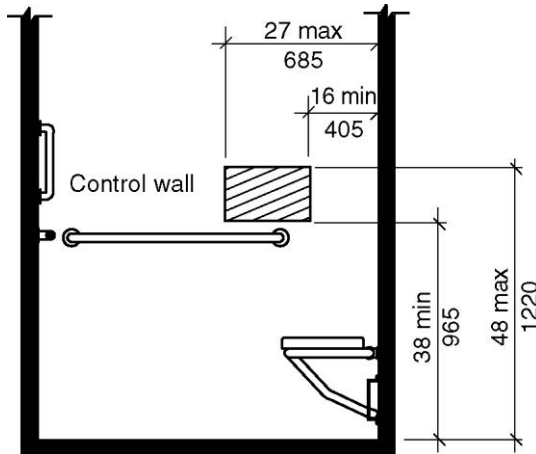
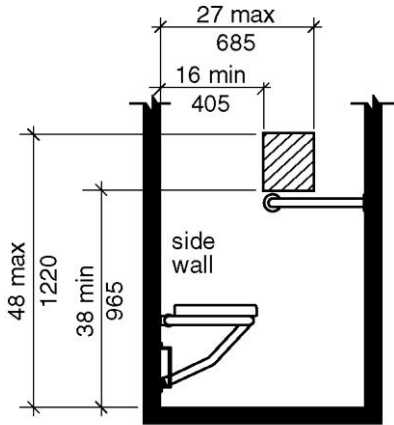


FIGURE 608.4.2
STANDARD ROLL-IN-TYPE SHOWER CONTROLS AND HAND SHOWER LOCATION

608.4.3 Alternate roll-in showers. In alternate roll-in showers, the operable portion of controls and hand shower shall be located

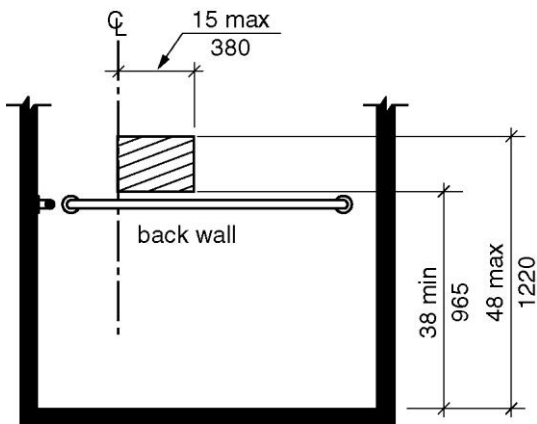
1. At a height of 38 inches (965 mm) minimum and 48 inches (1220 mm) maximum above the shower floor, and
2. Where the controls and hand shower are located on the end wall adjacent to the seat, the operable portion of controls and hand shower shall be 16 inches (405 mm) minimum and 27 inches (685 mm) maximum from the wall behind the seat wall, or

- Where the controls and hand shower are located on the back wall opposite the seat, the operable portion of controls and hand shower shall be located within 15 inches (380 mm) maximum from the centerline of the seat toward the transfer space.



(a)
Side Wall
(Elevation)

FIGURE 608.4.3(A)
ALTERNATE ROLL-IN-TYPE SHOWER CONTROLS AND HAND SHOWER
LOCATION - END WALL - ELEVATION



(b)
Back Wall
(Elevation)

FIGURE 608.4.3(B)
ALTERNATE ROLL-IN-TYPE SHOWER CONTROLS AND HAND SHOWER
LOCATION - CONTROL WALL - ELEVATION

REASON: This is somewhat a continuation of the discussions the committee has previously had regarding how the location of controls is to be done. The intent of this proposal is to provide

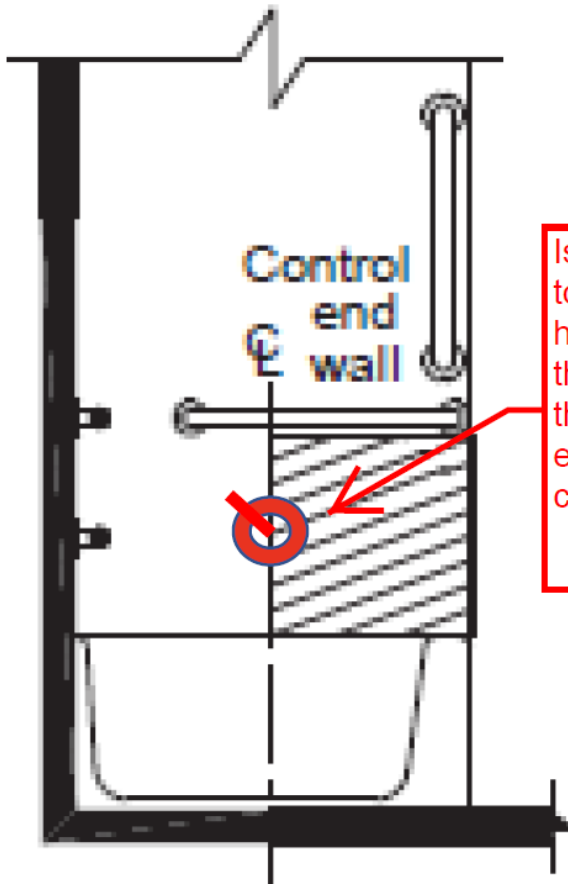
clarity and eliminate some of the debate or confusion that arises when the standard is not clearly stating the requirement. See the attached figures for some illustrations of the problem.

If a control is located at the centerline or slightly inside of the accepted space, is that adequate or because the handle of the control may rotate to be outside of the space does that make the control noncompliant? In addition, is the entire control expected to be within the space, or is it only the actual operable part of the control that must be located within the space? We have received inquiries from both designers and jurisdictions where a portion of a control – such as the trim piece behind the handle – extends outside of the designated location. While it could be argued that the trim piece is not the “control”, some people have viewed it as all being a part of the control element. And in the case of the lever faucet handle shown, is it only the pivot point that must be located within the space, or should either the entire length or a minimum length of the handle be expected to be entirely within the space?

Realistically when you look at the normal reach depths allowed by the standard, a 24-inch reach depth is permitted. When dealing with a typical 30 or 32 inch tub (or a 36” transfer shower) a control which is centered would still be within the reach range even if the operable portion of the handle spun outside of the designated control area shown within the standard. While the intent of having the control located toward the open side of the tub or shower is to permit someone to reach in and operate the control without getting wet, a control located at the centerline will typically make the same allowance and still will be located within the normally accepted reach range. From that standpoint this concern about whether the control is located completely within the designated space or not seems like much ado about nothing. However, where this issue comes up in the field, especially after the plumbing has been placed in the project, the lack of clarity within the standard causes a lot of unneeded debate.

This proposal does not argue that one option is correct or more appropriate, it simply is trying to clarify the requirement so that the language is applied more consistently and designers and enforcers have a better understanding of what the expectation is.

I elected to place the revised requirement for the showers into Section 608.4 so that it applied to all three types of showers instead of modifying each provision separately. Locating the requirement in Section 608.4 will apply to Item 3 of Section 608.4.1 for transfer showers, Item 3 of Section 608.4.2 for Standard roll-in showers, as well as Item 3 of Section 608.4.3 for alternate roll-in showers. If the committee prefers they could modify any or all of those three shower sections versus relying on a general section that would be applicable to all three shower types.



Is it OK for the control to be centered on the handle pivot, or is it the graspable part of the control that cannot extend beyond the centerline?



Committee Action:

AS

AM

D

607.5 et al-PAARLBERG.doc

| | | |
|--|-----------------------------------|----------------------------------|
| Report for 06-44- 2021 | | |
| <i>Committee decision: AS/AM/D</i> | <i>Committee Vote at Meeting:</i> | <i>Committee Vote on Ballot:</i> |
| REPORT OF HEARING: | | |
| Modification (if any): | | |
| Committee Reason: | | |
| PUBLIC COMMENT- FIRST DRAFT: | | |
| Proponent: | | |
| Desired Action: | | |
| Modification: | | |
| Reason: | | |
| <i>Committee decision: AS/AM/D</i> | <i>Committee Vote at Meeting:</i> | <i>Committee Vote on Ballot:</i> |
| REPORT OF HEARING – FIRST DRAFT | | |
| Modification (if any): | | |
| Committee Reason: | | |
| PUBLIC COMMENT- SECOND DRAFT: | | |
| Proponent: | | |
| Desired Action: | | |
| Modification: | | |
| Reason: | | |
| <i>Committee decision: AS/AM/D</i> | <i>Committee Vote at Meeting:</i> | <i>Committee Vote on Ballot:</i> |
| FINAL ACTION: | | |
| Modification (if any): | | |
| Committee Reason: | | |

06-45 – 2021

607.5, 607.6, 609.3, Figures 607.6(A)(New), 607.6(B)(New)

Proponent: Kimberly Paarlberg, International Code Council

Revise as follows:

SECTION 607 BATHTUBS

607.5 Controls. The on/off and temperature and diverter Controls, other than drain stoppers, shall be provided on an end wall, located between the bathtub rim and grab bar, and between the open side of the bathtub and the centerline of the width of the bathtub. Controls shall comply with Section 309.4.

607.6 Hand shower. A hand shower with a hose 59 inches (1500 mm) minimum in length, that can be used as both a fixed shower head and as a hand shower, shall be provided. The hand shower head shall have a control with a nonpositive shut-off feature. A means to hold the hand shower while in the on or off position shall be provided and located within the forward reach of the seat and at a height of 38 inches (965 mm) minimum and 48 inches (1220 mm) maximum above the tub floor. -Where provided, an adjustable-height hand shower mounted on a vertical bar shall be installed so as to not obstruct the use of grab bars. A fixed shower head, in addition to the hand shower shall be permitted.

Exception: Where the means to hold the hand shower head is adjustable on a vertical bar, the vertical bar is permitted to extend above 48 inches.

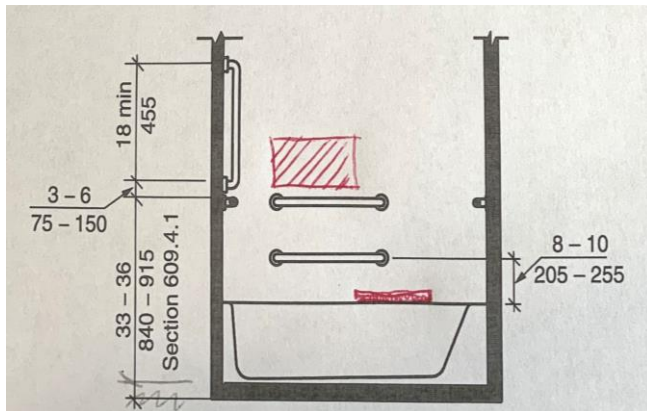


Figure 607.6(A)

Hand shower location with removable in tub seats

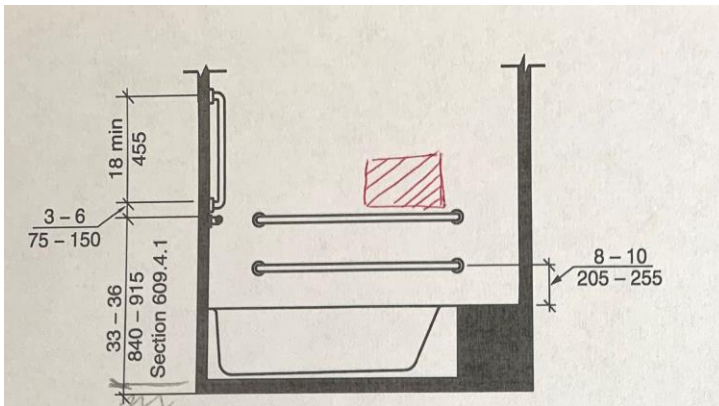


Figure 607.6(B)
Hand shower location with seats at head end of tub

SECTION 609 GRAB BARS

609.3 Spacing. The space between the wall and the grab bar shall be 1½ inches (38 mm). The space between the grab bar and projecting objects below and at the ends of the grab bar shall be 1½ inches (38 mm) minimum. The space between the grab bar and projecting objects above the grab bar shall be 12 inches (305 mm) minimum.

Exceptions:

1. The space between the grab bars and shower/bathtub on/off and temperature controls, diverters, shower/bathtub fittings including the vertical bar for the adjustable means to hold the hand shower, and other grab bars above the grab bar shall be permitted to be 1½ inches (38 mm) minimum.
2. Recessed dispensers projecting from the wall ¼ inch (6.4 mm) maximum measured from the face of the dispenser and complying with Section 604.7 shall be permitted within the 12-inch (305 mm) space above and the 1½-inch (38 mm) spaces below and at the ends of the grab bar.

REASON: This is for bathtubs; there is a similar proposal for showers. The intent of this proposal is to 1) leave the controls in the current location; but allow additional options for the means to hold the hand shower within reach of the seat and 2) use consistent and precise terminology and 3) coordinate current requirements.

It is important that we are all using and understanding the terms in the same way -

The ‘on/off and temperature controls’, depending on the system chosen, can be one, two or three handles. This controls the water flow and the temperature of the water.

The ‘diverter’ is for situations where there is both a fixed shower head and a hand held shower. The diverter can also be used to change the water spray to a variety of devices, such as back sprays or tub spouts. I have spoken with a group of ICC plumbing experts on what would be involved for relocating the diverter or providing additional sets of controls. Basically the

response was extensive added plumbing behind the wall, or in some scenarios, cannot be done without options way past standard plumbing.

The hand shower consists of the 59” hose and the hand shower head. A means to turn the water on and off (non-positive shut off valve) is required on the shower head. The ‘means to hold the hand shower head’ can be a bracket on the wall or a sliding bracket on a vertical pole. The figures would be in addition to the current to show the options for the means to hold the hand shower head. The changes to 608.5 is to keep the information for hand showers in one location – currently we have it mixed up in both. The exception indicates that a slider bar can be used for adjustment. The changes to 609.3 is to clarify what ‘not obstruct the grab bar’ means.

Committee Action: AS AM D

607.5-PAARLBERG.doc

| | | |
|--|-----------------------------------|----------------------------------|
| Report for 06-45- 2021 | | |
| <i>Committee decision: AS/AM/D</i> | <i>Committee Vote at Meeting:</i> | <i>Committee Vote on Ballot:</i> |
| REPORT OF HEARING: | | |
| Modification (if any): | | |
| Committee Reason: | | |
| PUBLIC COMMENT- FIRST DRAFT: | | |
| Proponent: | | |
| Desired Action: | | |
| Modification: | | |
| Reason: | | |
| <i>Committee decision: AS/AM/D</i> | <i>Committee Vote at Meeting:</i> | <i>Committee Vote on Ballot:</i> |
| REPORT OF HEARING – FIRST DRAFT | | |
| Modification (if any): | | |
| Committee Reason: | | |
| PUBLIC COMMENT- SECOND DRAFT: | | |
| Proponent: | | |
| Desired Action: | | |
| Modification: | | |
| Reason: | | |
| <i>Committee decision: AS/AM/D</i> | <i>Committee Vote at Meeting:</i> | <i>Committee Vote on Ballot:</i> |
| FINAL ACTION: | | |
| Modification (if any): | | |
| Committee Reason: | | |

06-48 – 2021

607.6, 608.5

Proponent: Kimberly Paarlberg, International Code Council

Revise as follows:

SECTION 607 BATHTUBS

607.6 Hand shower. A hand shower with a hose 59 inches (1500 mm) minimum in length, that can be used as both a fixed shower head and as a hand shower, shall be provided. The hand shower shall have a control with a nonpositive shutoff feature. Where provided, an adjustable-height hand shower mounted on a vertical bar shall be installed so as to not obstruct the use of grab bars.

Exceptions:

1. In other than Accessible units and Type A units, a fixed shower head located not greater than 48 inches (1220 mm) above the bottom of the bathtub shall be permitted in lieu of a hand shower.
2. In Accessible units, a fixed shower head located at not greater than 48 inches (1220 mm) above the tub floor shall be permitted in lieu of a hand shower where the clinical needs of a person receiving care or security concerns would consider the shower hose a safety hazard.

SECTION 608 SHOWER COMPARTMENT

608.5 Hand showers. A hand shower with a hose 59 inches (1500 mm) minimum in length, that can be used both as a fixed shower head and as a hand shower, shall be provided. The hand shower shall have a control with a nonpositive shutoff feature. Where provided, an adjustable-height hand shower mounted on a vertical bar shall be installed so as to not obstruct the use of grab bars. A means to hold the hand shower ~~wand~~ while in the on or off position shall be located at a height of 38 inches (965 mm) minimum and 48 inches (1220 mm) maximum above the shower finish floor.

Exception Exceptions:

1. In other than Accessible units and Type A units, a fixed shower head located not greater than 48 inches (1220 mm) maximum above the shower floor shall be permitted in lieu of a hand shower.
2. In Accessible units, a fixed shower head located at not greater than 48 inches (1220 mm) above the tub floor shall be permitted in lieu of a hand shower where the clinical needs of a person receiving care or security concerns would consider the shower hose a safety hazard.

REASON: This proposal has two points.

The first exception in 607.5 is intended to be consistent between the current exception in 608.5. The fixed head should be an option in tubs or showers.

The second exception in 607.5 and 608.5 is in consideration of suicide prevention and security concerns in some hospitals and jails (which require Accessible units). I found several studies indicating that suicides are the number one cause of deaths in jails. In addition, there is a concern that the hose could be ripped out of the wall and used as some kind of weapon.

Committee Action: AS AM D

607.6 THOMPSON.doc

| | | |
|--|-----------------------------------|----------------------------------|
| Report for 06-48- 2021 | | |
| <i>Committee decision: AS/AM/D</i> | <i>Committee Vote at Meeting:</i> | <i>Committee Vote on Ballot:</i> |
| REPORT OF HEARING: | | |
| Modification (if any): | | |
| Committee Reason: | | |
| PUBLIC COMMENT- FIRST DRAFT: | | |
| Proponent: | | |
| Desired Action: | | |
| Modification: | | |
| Reason: | | |
| <i>Committee decision: AS/AM/D</i> | <i>Committee Vote at Meeting:</i> | <i>Committee Vote on Ballot:</i> |
| REPORT OF HEARING – FIRST DRAFT | | |
| Modification (if any): | | |
| Committee Reason: | | |
| PUBLIC COMMENT- SECOND DRAFT: | | |
| Proponent: | | |
| Desired Action: | | |
| Modification: | | |
| Reason: | | |
| <i>Committee decision: AS/AM/D</i> | <i>Committee Vote at Meeting:</i> | <i>Committee Vote on Ballot:</i> |
| FINAL ACTION: | | |
| Modification (if any): | | |
| Committee Reason: | | |

06-46 – 2021

607.5, 607.6, Figure 607.5(B)(New)

Proponent: Doug Anderson, representing A117.1 Accessible Bathing Task Group

Add new text as follows:

SECTION 607 BATHTUBS

607.5 Controls. Controls, other than drain stoppers, shall be provided on an end wall, located between the bathtub rim and grab bar, and between the open side of the bathtub and the centerline of the width of the bathtub. Controls shall comply with Section 309.4.

Exception: In bathtubs with fixed folding in-tub seats where the mount for the hand shower complying with Section 607.6 is located on the back wall, the diverter for the hand shower shall be located according to the following:

1. On the back wall,
2. At a height of 38 inches (965 mm) minimum and 48 inches (1220 mm) maximum above the shower floor, and
3. 16 inches (405 mm) minimum and 27 inches (685 mm) maximum from the head wall behind the seat.

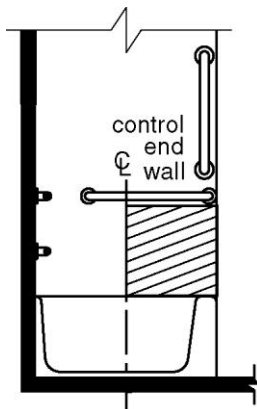


Figure 607.5(A)

Location of bathtub controls

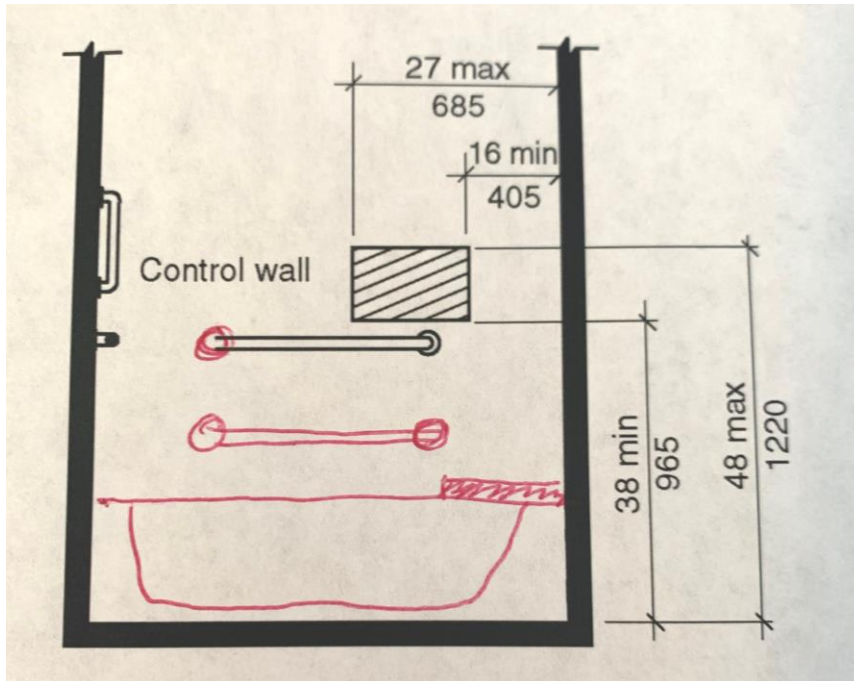


Figure 607.5(B)

**Exception - Location of diverter for
Bathtub with fixed folding in-tub seat**

607.6 Hand shower. A hand shower with a hose 59 inches (1500 mm) minimum in length, ~~that can be used as both a fixed shower head and as a hand shower,~~ shall be provided. A fixed mount or an adjustable-height mount on a vertical bar shall be provided so the hand shower can be used as both a fixed shower head and as a hand shower. The mount shall be on the back wall within reach of the seat or on the control wall. The hand shower shall have ~~a control with~~ a nonpositive shut-off feature. Where provided, an adjustable-height hand shower mounted on a vertical bar shall be installed so as to not obstruct the use of grab bars.

REASON: The industry is installing fixed folding in-tub seats and is proposing language to provide specifications for an optional location for diverter for a hand shower. The photos are to illustrate what type of seat this proposal is talking about. This photo shows how the current requirements make the hand shower impossible to reach from the seat.

The intent of this proposal is to allow for the mount to hold the hand shower, the hand shower and the diverter to move the water to the hand shower the option of being located on the back wall.

The clarification in Section 607.6 would be beneficial for all 3 types of bathtubs with seats.



Staff Note: This proposal is from the A117.1 Accessible Bathing Task Group. Proposals 06-37, 06-38, 06-41, 06-46 and 06-74 are all related to bathtubs with a fixed folding in-tub seat.

Committee Action: AS AM D

607.5-ANDERSON.doc

| | | |
|--|-----------------------------------|----------------------------------|
| Report for 06-46- 2021 | | |
| Committee decision: AS/AM/D | Committee Vote at Meeting: | Committee Vote on Ballot: |
| REPORT OF HEARING: | | |
| Modification (if any): | | |
| Committee Reason: | | |
| PUBLIC COMMENT- FIRST DRAFT: | | |
| Proponent: | | |
| Desired Action: | | |
| Modification: | | |
| Reason: | | |
| Committee decision: AS/AM/D | Committee Vote at Meeting: | Committee Vote on Ballot: |
| REPORT OF HEARING – FIRST DRAFT | | |
| Modification (if any): | | |
| Committee Reason: | | |
| PUBLIC COMMENT- SECOND DRAFT: | | |
| Proponent: | | |
| Desired Action: | | |
| Modification: | | |
| Reason: | | |
| Committee decision: AS/AM/D | Committee Vote at Meeting: | Committee Vote on Ballot: |
| FINAL ACTION: | | |
| Modification (if any): | | |
| Committee Reason: | | |

06-47 – 2021
607.6, 608.5

Proponent: Kyle Thompson, Plumbing Manufacturers International (PMI)

Revise as follows:

SECTION 607
BATHTUBS

607.6 Hand ~~shower~~ showers. A hand shower with a hose 59 inches (1500 mm) minimum in length, that can be used as both a fixed shower head and as a hand shower, shall be provided. The hand shower shall have a control with a nonpositive shutoff feature. Where provided, an adjustable-height hand shower mounted on a vertical bar shall be permitted to be installed within 12 inches above so as to not obstruct the use of horizontal grab bars. A means to hold the hand shower while in the on or off position shall be located at a height of 38 inches (965 mm) minimum and 48 inches (1220 mm) maximum above the bottom of the bathtub, and the hand shower shall be located within reach of the seat.

Exceptions:

1. Where a vertical bar is used to hold a hand shower, the vertical bar shall be permitted to extend above 48 inches (1220 mm). The device to adjust the height of the hand shower shall not be required to comply with Section 309.
2. In other than Accessible units and Type A units, a fixed shower head located not greater than 48 inches (1220 mm) above the bottom of the bathtub shall be permitted in lieu of a hand shower.

SECTION 608
SHOWER COMPARTMENT

608.5 Hand showers. A hand shower with a hose 59 inches (1500 mm) minimum in length, that can be used both as a fixed shower head and as a hand shower, shall be provided. The hand shower shall have a control with a nonpositive shutoff feature. Where provided, an adjustable-height hand shower mounted on a vertical bar shall be permitted to be installed within 12 inches above so as to not obstruct the use of horizontal grab bars. A means to hold the hand shower ~~and~~ while in the on or off position shall be located at a height of 38 inches (965 mm) minimum and 48 inches (1220 mm) maximum above the shower finish floor, and the hand shower shall be located within reach of the seat.

Exception Exceptions:

1. Where a vertical bar is used to hold a hand shower, the vertical bar shall be permitted to extend above 48 inches (1220 mm). The device to adjust the height of the hand shower shall not be required to comply with Section 309.
2. In other than Accessible units and Type A units, a fixed shower head located not greater than 48 inches (1220 mm) ~~maximum~~ above the shower floor shall be permitted in lieu of a hand shower.

REASON: Consistency in hand shower requirements is being applied to both tubs and showers in Sections 607.6 and 608.5. The requirement to install a hand shower between 38 and 48 inches would cause a hand shower to be considered as an obstruction with horizontal grab bars. Therefore, the need to add text to Sections 607.6 and 608.5 to allow the vertical bar to be installed within 12 inches above horizontal grab bars in accordance with Section 609.3. Additionally, a new requirement is being added to mandate that the means to hold the hand shower be located within reach of a tub or shower seat without being required to be located in the same box as temperature, on or-off flow and shower diversion controls. Furthermore, the new exception permits a hand shower to be used as either a fixed shower or hand shower. This allows for hand showers to be used in universal designs.

Committee Action: AS AM D

607.6 THOMPSON.doc

| | | |
|--|-----------------------------------|----------------------------------|
| Report for 06-47- 2021 | | |
| <i>Committee decision: AS/AM/D</i> | <i>Committee Vote at Meeting:</i> | <i>Committee Vote on Ballot:</i> |
| REPORT OF HEARING: | | |
| Modification (if any): | | |
| Committee Reason: | | |
| PUBLIC COMMENT- FIRST DRAFT: | | |
| Proponent: | | |
| Desired Action: | | |
| Modification: | | |
| Reason: | | |
| <i>Committee decision: AS/AM/D</i> | <i>Committee Vote at Meeting:</i> | <i>Committee Vote on Ballot:</i> |
| REPORT OF HEARING – FIRST DRAFT | | |
| Modification (if any): | | |
| Committee Reason: | | |
| PUBLIC COMMENT- SECOND DRAFT: | | |
| Proponent: | | |
| Desired Action: | | |
| Modification: | | |
| Reason: | | |
| <i>Committee decision: AS/AM/D</i> | <i>Committee Vote at Meeting:</i> | <i>Committee Vote on Ballot:</i> |
| FINAL ACTION: | | |
| Modification (if any): | | |
| Committee Reason: | | |

06-49 – 2021
607.6

Proponent: Hope Reed, ADA Accessibility Consultant, representing self

Revise as follows:

SECTION 607
BATHTUBS

607.6 Hand shower. A hand shower with a hose 59 inches (1500mm) minimum in length, that can be used both as a fixed shower head and as a hand shower, shall be provided. The hand shower shall have a control with a nonpositive shut-off feature that complies with Section 309.4. Where provided, an adjustable-height hand shower mounted on a vertical bar shall be installed so as to not obstruct the use of grab bars. The hand shower wand shall be configured to allow adjustment of the water spray direction and limit rotation during use.

REASON: The hose for hand shower wands is usually twisted and when water pressure comes on it becomes even more twisted. When the spray wand is attached to a vertical bar and water is turned, it may rotate even further within the mounting. Often the spray wand ends up spraying in only one direction from its attachment. A person with disabilities who stands while showering may have to hover in the back corner and get only a small, small portion of the spray, or they may have to stand where they can block the water from spraying out into the room. A holder and handle need to fit without allowing rotation. *See alternate proposal we provided with 607.6(b).*

Committee Action: AS AM D

607.6(a)-REED.doc

| | | |
|--|-----------------------------------|----------------------------------|
| Report for 06-49- 2021 | | |
| Committee decision: AS/AM/D | Committee Vote at Meeting: | Committee Vote on Ballot: |
| REPORT OF HEARING: | | |
| Modification (if any): | | |
| Committee Reason: | | |
| PUBLIC COMMENT- FIRST DRAFT: | | |
| Proponent: | | |
| Desired Action: | | |
| Modification: | | |
| Reason: | | |
| Committee decision: AS/AM/D | Committee Vote at Meeting: | Committee Vote on Ballot: |
| REPORT OF HEARING – FIRST DRAFT | | |
| Modification (if any): | | |
| Committee Reason: | | |
| PUBLIC COMMENT- SECOND DRAFT: | | |
| Proponent: | | |
| Desired Action: | | |
| Modification: | | |
| Reason: | | |
| Committee decision: AS/AM/D | Committee Vote at Meeting: | Committee Vote on Ballot: |
| FINAL ACTION: | | |
| Modification (if any): | | |
| Committee Reason: | | |

06-50 – 2021
607.6

Proponent: Hope Reed, ADA Accessibility Consultant, representing self

Revise as follows:

SECTION 607
BATHTUBS

607.6 Hand shower. A hand shower with a hose 59 inches (1500mm) minimum in length, that can be used both as a fixed shower head and as a hand shower, shall be provided. The hand shower shall have a control with a nonpositive shut-off feature. Where provided, an adjustable-height hand shower mounted on a vertical bar shall be installed so as to not obstruct the use of grab bars. The hand shower mount shall require the hand shower water spray to be directed without rotating during use and shall be located according to the following:

1. On the back wall,
2. At a height of 38 inches (965 mm) minimum and 48 inches (1220 mm) maximum above the shower floor and
3. 16 inches (405 mm) minimum and 27 inches (685 mm) maximum from the wall behind the seat.

REASON: The hose for hand shower wands is usually twisted and when water pressure comes on it becomes even more twisted. When the spray wand is attached to a vertical bar and water is turned, it may rotate even further within the mounting. Often the spray wand ends up spraying in only one direction from its attachment. A person with disabilities who stands while showering may have to hover in the back corner and get only a small, small portion of the spray, or they may have to stand where they can block the water from spraying out into the room. A holder and handle need to *fit* without allowing rotation. *See alternate proposal we provided with 607.6(a).*

Committee Action: AS AM D

607.6b-REED.doc

| Report for 06-50- 2021 | | |
|--|-----------------------------------|----------------------------------|
| Committee decision: AS/AM/D | Committee Vote at Meeting: | Committee Vote on Ballot: |
| REPORT OF HEARING: | | |
| Modification (if any): | | |
| Committee Reason: | | |
| PUBLIC COMMENT- FIRST DRAFT: | | |
| Proponent: | | |
| Desired Action: | | |
| Modification: | | |
| Reason: | | |
| Committee decision: AS/AM/D | Committee Vote at Meeting: | Committee Vote on Ballot: |
| REPORT OF HEARING – FIRST DRAFT | | |
| Modification (if any): | | |
| Committee Reason: | | |
| PUBLIC COMMENT- SECOND DRAFT: | | |
| Proponent: | | |
| Desired Action: | | |
| Modification: | | |

Report for 06-50- 2021

Reason:

Committee decision: AS/AM/D**Committee Vote at Meeting:****Committee Vote on Ballot:****FINAL ACTION:**

Modification (if any):

Committee Reason:

06-51 – 2021
607.8, 608.8

Proponent: Kimberly Paarlberg, International Code Council

Delete without substitution:

SECTION 607
BATHTUBS

~~**607.8 Water temperature.** Bathtubs shall deliver water that is 120°F (49°C) maximum.~~

SECTION 608
SHOWER COMPARTMENTS

~~**608.8 Water temperature.** Showers shall deliver water that is 120°F (49°C) maximum.~~

REASON: The intent of this proposal is to remove the water temperature limit for bathtubs and showers. This is a plumbing code issue, not an accessibility issue – and the plumbing code does have similar limits. The person using the tub or shower will adjust the temperature before the enter the water the same as anyone else. The handheld shower heads have a shut off as a backup if they cannot reach the water controls from the seat. Some people prefer hotter showers.

Committee Action: AS AM D

608.8-PAARLBERG.doc

| | | |
|--|-----------------------------------|----------------------------------|
| Report for 06-51– 2021 | | |
| <i>Committee decision: AS/AM/D</i> | <i>Committee Vote at Meeting:</i> | <i>Committee Vote on Ballot:</i> |
| REPORT OF HEARING: | | |
| Modification (if any): | | |
| Committee Reason: | | |
| PUBLIC COMMENT- FIRST DRAFT: | | |
| Proponent: | | |
| Desired Action: | | |
| Modification: | | |
| Reason: | | |
| <i>Committee decision: AS/AM/D</i> | <i>Committee Vote at Meeting:</i> | <i>Committee Vote on Ballot:</i> |
| REPORT OF HEARING – FIRST DRAFT | | |
| Modification (if any): | | |
| Committee Reason: | | |
| PUBLIC COMMENT- SECOND DRAFT: | | |
| Proponent: | | |
| Desired Action: | | |
| Modification: | | |
| Reason: | | |
| <i>Committee decision: AS/AM/D</i> | <i>Committee Vote at Meeting:</i> | <i>Committee Vote on Ballot:</i> |
| FINAL ACTION: | | |
| Modification (if any): | | |
| Committee Reason: | | |

06-52 – 2021
607.4(New)

Proponent: Marsha Mazz, United Spinal Association

Add new text as follows:

SECTION 607
BATHTUBS

607.4 Bathtub rim. The height of the bathtub rim shall not exceed the height of the bathtub seat required by Section 607.3.

REASON: The intent of this proposal is to ensure that people transferring to a bathtub set will not have to also transfer over the rim of the bathtub and down into the seat and back up over the rim. This will better protect users from injuries due to complex transfers.

Committee Action: AS AM D

607.9-MAZZ.doc

| | | |
|--|-----------------------------------|----------------------------------|
| Report for 06-52– 2021 | | |
| Committee decision: AS/AM/D | Committee Vote at Meeting: | Committee Vote on Ballot: |
| REPORT OF HEARING: | | |
| Modification (if any): | | |
| Committee Reason: | | |
| PUBLIC COMMENT- FIRST DRAFT: | | |
| Proponent: | | |
| Desired Action: | | |
| Modification: | | |
| Reason: | | |
| Committee decision: AS/AM/D | Committee Vote at Meeting: | Committee Vote on Ballot: |
| REPORT OF HEARING – FIRST DRAFT | | |
| Modification (if any): | | |
| Committee Reason: | | |
| PUBLIC COMMENT- SECOND DRAFT: | | |
| Proponent: | | |
| Desired Action: | | |
| Modification: | | |
| Reason: | | |
| Committee decision: AS/AM/D | Committee Vote at Meeting: | Committee Vote on Ballot: |
| FINAL ACTION: | | |
| Modification (if any): | | |
| Committee Reason: | | |

06-53 – 2021

608.2.1.1, Figure 608.2.1.1

Proponent: Doug Anderson, representing A117.1 Accessible Bathing Task Group

Revise as follows:

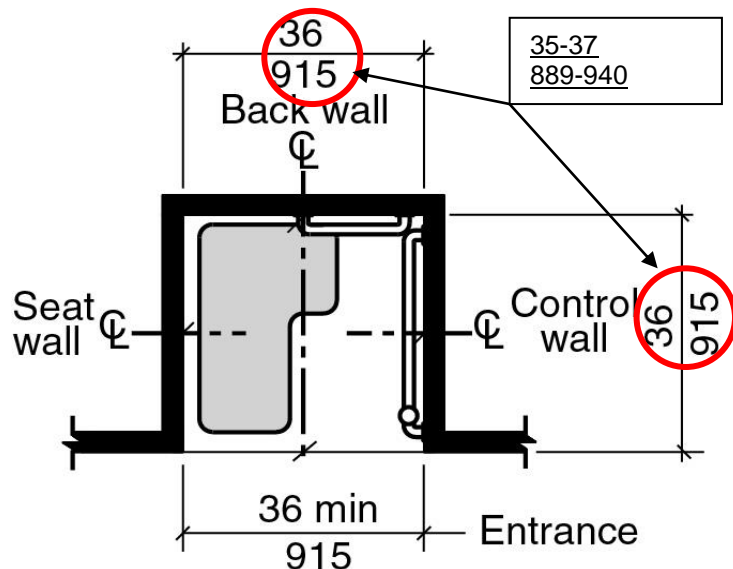
SECTION 608 SHOWER COMPARTMENTS

608.1 General. Shower compartments shall comply with Section 608.

608.2 Size, clearance and seat. Shower compartments shall have sizes, clearances and seats complying with Section 608.2.

608.2.1 Transfer-type shower compartments. Transfer-type shower compartments shall comply with Section 608.2.1.

608.2.1.1 Size. Transfer-type shower compartments shall have a clear inside dimension of ~~36~~ 35 to 37 inches (915 ~~889-940~~ mm) in width measured at the center point of opposing sides and ~~36~~ 35 to 37 inches (915 ~~889-940~~ mm) in depth measured from the center point of ~~opposing sides~~ the rear wall to the outside of the threshold. An entry 36 inches (915 mm) minimum in width shall be provided.



Note: inside finished dimensions measured at the center points of opposing sides

FIGURE 608.2.1.1

TRANSFER-TYPE SHOWER COMPARTMENT SIZE

REASON: This proposal is seeking to build in construction tolerance to the transfer shower inside dimensions.

Committee Action: AS AM D

608.2.2.1-ANDERSON.doc

| | | |
|--|-----------------------------------|----------------------------------|
| Report for 06-53– 2021 | | |
| <i>Committee decision: AS/AM/D</i> | <i>Committee Vote at Meeting:</i> | <i>Committee Vote on Ballot:</i> |
| REPORT OF HEARING: | | |
| Modification (if any): | | |
| Committee Reason: | | |
| PUBLIC COMMENT- FIRST DRAFT: | | |
| Proponent: | | |
| Desired Action: | | |
| Modification: | | |
| Reason: | | |
| <i>Committee decision: AS/AM/D</i> | <i>Committee Vote at Meeting:</i> | <i>Committee Vote on Ballot:</i> |
| REPORT OF HEARING – FIRST DRAFT | | |
| Modification (if any): | | |
| Committee Reason: | | |
| PUBLIC COMMENT- SECOND DRAFT: | | |
| Proponent: | | |
| Desired Action: | | |
| Modification: | | |
| Reason: | | |
| <i>Committee decision: AS/AM/D</i> | <i>Committee Vote at Meeting:</i> | <i>Committee Vote on Ballot:</i> |
| FINAL ACTION: | | |
| Modification (if any): | | |
| Committee Reason: | | |

06-54 – 2021

608.2.1.2, 608.2.1.2.1, 608.2.1.3(New), 608.4.1, Figures 608.2.1.2(A), 608.2.1.2(B), 608.2.1.2(C), 608.2.1.3(New), 608.4.1

Proponent: Thomas Hirsch, FAIA, Hirsch Group Architecture, representing self; M. Bradley Gaskins, AIA; Gina Hillberry for United Cerebral Palsy; Joe Jurkiewicz, AIA; Marsha Mazz for United Spinal Association; Edward Steinfeld, Arch.D, AIA; and Steven R. Winkel, FAIA, PE, CASp

Revise as follows:

SECTION 608 SHOWER COMPARTMENTS

608.2.1.2 Transfer Clearance.

608.2.1.2.1 New buildings and facilities. In new buildings and facilities, a transfer clearance of 52 inches (1320 mm) minimum in length and 36 inches (915 mm) minimum in depth shall be provided adjacent to the open face of the compartment. The length of the ~~clear floor space~~ transfer clearance shall be measured perpendicular from either the control wall or from 4 inches (100 mm) behind the control wall.

608.2.1.2.2 Existing buildings and facilities. In existing buildings and facilities, a transfer clearance of 48 inches (1220 mm) minimum in length measured perpendicular from the control wall, and 36 inches (915 mm) minimum in depth shall be provided adjacent to the open face of the compartment.

Note: The committee will need to decide if Figures 608.2.1.2(A), 608.2.1.2(B) and 608.2.1.2(C) should be revised to show the control clearance with the transfer clearance or if the control clearance should be in a separate Figure 608.2.1.3. The figure submitted indicates the clearance moving forward, not an addition 4 inch toe clearance as the text indicates.

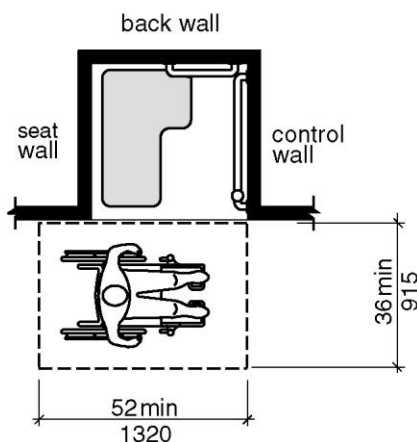


FIGURE 608.2.1.2(A)
TRANSFER-TYPE SHOWER COMPARTMENT TRANSFER CLEARANCES
NEW BUILDINGS –OPTION 1

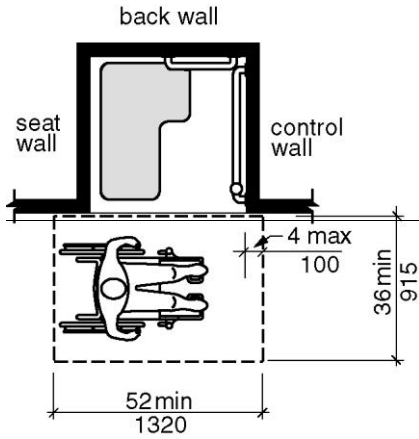


FIGURE 608.2.1.2(B)
TRANSFER-TYPE SHOWER COMPARTMENT TRANSFER CLEARANCES
NEW BUILDINGS - OPTION 2

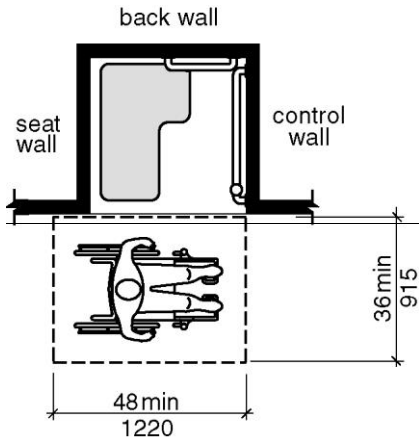


FIGURE 608.2.1.2(C)
TRANSFER-TYPE SHOWER COMPARTMENT TRANSFER CLEARANCES
EXISTING BUILDINGS

608.2.1.3 Control Clearance. The clear floor space for toe clearance at the controls shall extend 4 inches (100 mm) minimum beyond the control end wall.

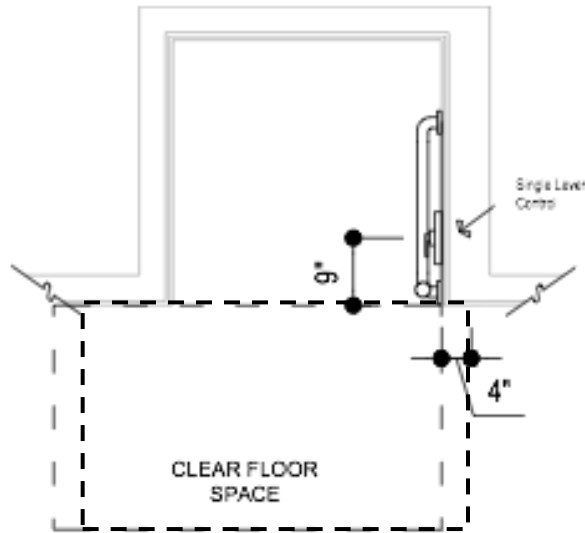


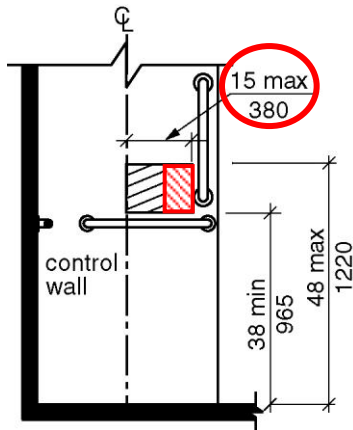
FIGURE 608.2.1.3
TRANSFER-TYPE SHOWER COMPARTMENT
CLEARANCES FOR SHOWER CONTROLS

608.4 Controls and hand showers. Controls and hand showers shall comply with Sections 608.4 and 309.4.

608.4.1 Transfer-type showers. In transfer-type showers, the controls and hand shower shall be located:

1. On the control wall opposite the seat.
2. At a height of 38 inches (965 mm) minimum and 48 inches (1220 mm) maximum above the shower floor, and
3. 15 inches (380 mm) maximum, from the centerline of the control wall toward the shower opening. The centerline of controls measured from the approach side of the shower shall be located 5 inches (127 mm) minimum and 9 inches (229 mm) maximum from the clear floor space.

Note: The area for the controls in Figure 608.4.1 would be revised to the smaller area indicated in the revised text. Figure 608.3.1(B) indicates the vertical grab bar is 4 inches maximum to the center line of the bar. Section 609.2.1 indicates the diameter of the grab bar is 1-1/4" to 2". Since the control itself is past the control center line on both sides, the committee is requested to address the question of a possible overlap of the vertical grab bar with the controls.



**FIGURE 608.4.1
TRANSFER-TYPE SHOWER CONTROLS AND
HAND SHOWER LOCATION**

Note: The references from Accessible and Type A units are shown so that the committee is clear on how this proposal will affect unit requirements.

SECTION 1102 ACCESSIBLE UNITS

1102.11.2 Toilet and bathing facility. At least one toilet and bathing facility shall comply with Section 603. At least one lavatory, one water closet and either a bathtub or shower within the unit shall comply with Sections 604 through 610. These toilet and bathing fixtures shall be in a single toilet/bathing area, such that travel between fixtures does not require travel through other parts of the unit.

SECTION 1103 TYPE A UNITS

1103.11.2.5 Bathing fixtures. The bathing fixture shall be a bathtub complying with Section 1103.11.2.5.1 or a shower compartment complying with Section 1103.11.2.5.2.

1103.11.2.5.2 Shower. Showers shall comply with Section 608.

Exception: At standard roll-in shower compartments complying with Section 608.2.2, lavatories, countertops and cabinetry shall be permitted at one end of the clearance, provided the following criteria are met:

1. The countertop and cabinetry can be removed;
2. The floor finish extends under the countertop and cabinetry; and
3. The walls behind and surrounding the countertop and cabinetry are finished.

REASON: Based on anthropometry, the provision of toe space past the control end of the fixture accomplishes realistic reach of the control for 90% of persons measured

Committee Action: AS AM D

Figure 608.2.1-HIRSCH.doc

| | | |
|--|-----------------------------------|----------------------------------|
| Report for 06-54- 2021 | | |
| <i>Committee decision: AS/AM/D</i> | <i>Committee Vote at Meeting:</i> | <i>Committee Vote on Ballot:</i> |
| REPORT OF HEARING: | | |
| Modification (if any): | | |
| Committee Reason: | | |
| PUBLIC COMMENT- FIRST DRAFT: | | |
| Proponent: | | |
| Desired Action: | | |
| Modification: | | |
| Reason: | | |
| <i>Committee decision: AS/AM/D</i> | <i>Committee Vote at Meeting:</i> | <i>Committee Vote on Ballot:</i> |
| REPORT OF HEARING – FIRST DRAFT | | |
| Modification (if any): | | |
| Committee Reason: | | |
| PUBLIC COMMENT- SECOND DRAFT: | | |
| Proponent: | | |
| Desired Action: | | |
| Modification: | | |
| Reason: | | |
| <i>Committee decision: AS/AM/D</i> | <i>Committee Vote at Meeting:</i> | <i>Committee Vote on Ballot:</i> |
| FINAL ACTION: | | |
| Modification (if any): | | |
| Committee Reason: | | |

06-55 – 2021
608.2.1.2.1

Proponent: Gene Boecker, Code Consultants, Inc.

Revise as follows:

SECTION 608
SHOWER COMPARTMENTS

608.2.1.2 Clearance.

608.2.1.2.1 New buildings and facilities. In new buildings and facilities, a clearance of 52 inches (1320 mm) minimum in length and 36 inches (915 mm) minimum in depth and complying with Section 305.7.1 shall be provided adjacent to the open face of the compartment. The length of the clear floor space shall be measured perpendicular from either the control wall or from 4 inches (100 mm) behind the control wall.

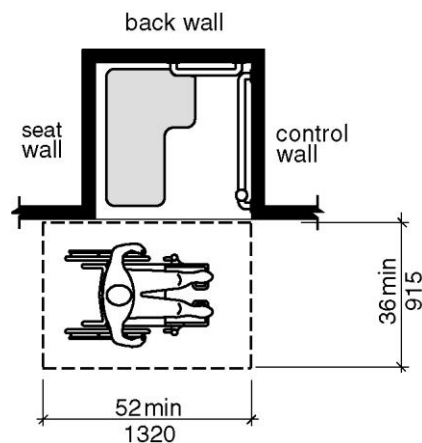


FIGURE 608.2.1.2(A)
TRANSFER-TYPE SHOWER COMPARTMENT CLEARANCES
NEW BUILDINGS - OPTION 1

REASON: Where the shower is located in an alcove, it is not clear as to whether the wheelchair space should be expanded for an alcove or if the simple dimensions are all that’s needed. If a fully accessible shower is to be provided, the necessary maneuvering space should be provided to access it, including the alcove provisions.

Committee Action: AS AM D

608.2.1.2.1-BOECKER.doc

| | | |
|------------------------------------|-----------------------------------|----------------------------------|
| Report for 06-55– 2021 | | |
| <i>Committee decision: AS/AM/D</i> | <i>Committee Vote at Meeting:</i> | <i>Committee Vote on Ballot:</i> |
| REPORT OF HEARING: | | |
| Modification (if any): | | |
| Committee Reason: | | |

| | | |
|--|-----------------------------------|----------------------------------|
| Report for 06-55– 2021 | | |
| PUBLIC COMMENT- FIRST DRAFT: | | |
| Proponent: | | |
| Desired Action: | | |
| Modification: | | |
| Reason: | | |
| <i>Committee decision: AS/AM/D</i> | <i>Committee Vote at Meeting:</i> | <i>Committee Vote on Ballot:</i> |
| REPORT OF HEARING – FIRST DRAFT | | |
| Modification (if any): | | |
| Committee Reason: | | |
| PUBLIC COMMENT- SECOND DRAFT: | | |
| Proponent: | | |
| Desired Action: | | |
| Modification: | | |
| Reason: | | |
| <i>Committee decision: AS/AM/D</i> | <i>Committee Vote at Meeting:</i> | <i>Committee Vote on Ballot:</i> |
| FINAL ACTION: | | |
| Modification (if any): | | |
| Committee Reason: | | |

06-56 – 2021

608.2.2(New), 608.2.2.1(New), 608.2.2.2(New), 608.2.2.3(New), 608.3.2(New), 608.3.2.1(New), 608.3.2.2(New), 608.3.2.3(New), 608.4.2(New), 610.3, 610.3.3(New)

Proponent: Doug Anderson, representing American Hotel and Lodging Association

Revise as follows:

SECTION 608 SHOWER COMPARTMENTS

608.2.2 Alternat transfer shower compartments. Alternate transfer shower compartments shall comply with Section 608.2.2.

608.2.2.1 Size. Alternate shower compartments shall have a clear inside dimension of 58 inches (1473 mm) minimum in width and 30 inches (760 mm) minimum in depth, measured at the center point of opposing sides. An entry 58 inches (1473 mm) minimum in width shall be provided.

608.2.2.2 Clearance. A clearance of 60 inches (1525 mm) minimum in length adjacent to the 60-inch (1525 mm) width of the open face of the shower compartment, and 30 inches (760 mm) minimum in depth, shall be provided.

Exception: A lavatory complying with Section 606 shall be permitted at the end of the clearance opposite the seat.

608.2.2.3 Seat. An adjustable seat complying with Section 610 shall be provided that can be secured at varying distances from the control wall. At least one of the positions will locate the back of the seat between 35 and 37 inches (889 and 940 mm) from the control wall.

Exception: A seat is not required to be installed in a shower for a single occupant accessed only through a private office and not for common use or public use, provided reinforcement has been installed in walls and located so as to permit the installation of a shower seat.

608.3.2 Alternat transfer type shower. Grab bars in alternate transfer type showers shall comply with Sections 608.3.2.1 through 608.3.2.3.

608.3.2.1 Back-wall grab bar. In alternate transfer showers, a grab bar shall be provided on the back wall. The back-wall grab bar shall extend the length of the wall and extend within 6 inches (150 mm) maximum from the adjacent side walls.

608.3.2.2 Side-wall grab bars. A grab bar shall be provided on the side-wall opposite the seat. The side wall grab bar shall extend the length of the wall and extend within 6 inches (150 mm) maximum from the adjacent back wall.

608.3.2.3 Vertical grab bar. A vertical grab bar 18 inches (455 mm) minimum in length shall be provided on the end wall 3 inches (75 mm) minimum and 6 inches (150 mm) maximum above the horizontal grab bar, and 4 inches (100 mm) maximum inward from the front edge of the shower.

608.4 Controls and hand showers. Controls and hand showers shall comply with Sections 608.4 and 309.4.

608.4.2 Alternate transfer-type showers. In alternate transfer-type showers, the controls and hand shower shall be located:

1. On the control wall opposite the seat.
2. At a height of 15 inches (381 mm) minimum and 48 inches (1220 mm) maximum above the shower floor, and
3. 15 inches (380 mm) maximum, from the centerline of the control wall toward the shower opening.

608.6 Thresholds. Thresholds in roll-in-type shower and compartments shall be 1/2 inch (13 mm) maximum in height in accordance with Section 303. In transfer-type shower compartments, thresholds 1/2 inch (13 mm) maximum in height shall be beveled, rounded, or vertical.

Exception: In existing facilities, in transfer-type shower compartments where provision of a threshold 1/2 inch (13 mm) in height would disturb the structural reinforcement of the floor slab, a threshold 2 inches (51 mm) maximum in height shall be permitted.

SECTION 610 SEATS

610.3 Shower compartment seats. The height of shower compartment seats shall be 17 inches (430 mm) minimum and 19 inches (485 mm) maximum above the bathroom floor, measured to the top of the seat. In transfer-type and alternate roll-in-type showers, the seat shall extend along the seat wall to a point within 3 inches (75 mm) of the compartment entry. In standard roll-in-type showers, the seat shall extend from the control wall to a point within 3 inches (75 mm) of the compartment entry. In alternate transfer type showers, the seat shall extend from the back wall to a point within 3 inches (75 mm) of the compartment entry. Seats shall comply with Section 610.3.1 or 610.3.2. In alternate transfer type showers the seat shall also have a seat back comply with Section 610.3.3.

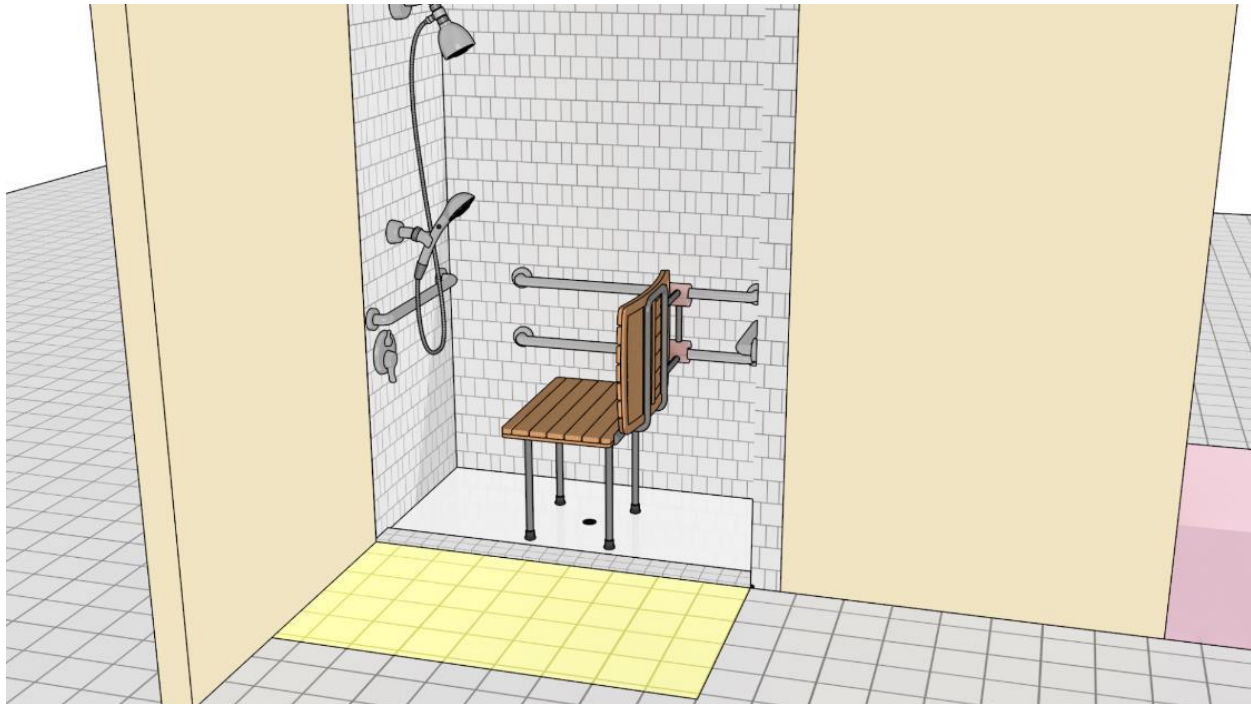
610.3.1 Rectangular seats. The rear edge of a rectangular seat shall be 2 1/2 inches (64 mm) maximum and the front edge 15 inches (380 mm) minimum and 16 inches (405 mm) maximum from the seat wall. The side edge of the seat shall be 1 1/2 inches (38 mm) maximum from the back wall of a transfer-type shower and 1 1/2 inches (38 mm) maximum from the control wall of a roll-in-type shower.

610.3.2 L-shaped seats. The rear edge of an L-shaped seat shall be 2 1/2 inches (64 mm) maximum and the front edge 15 inches (380 mm) minimum and 16 inches (405 mm) maximum from the seat wall. The rear edge of the "L" portion of the seat shall be 1 1/2 inches (38 mm) maximum from the wall and the front edge shall be 14 inches (355 mm) minimum

and 15 inches (380 mm) maximum from the wall. The end of the “L” shall be 22 inches (560 mm) minimum and 23 inches (585 mm) maximum from the main seat wall.

610.3.3 Seat backs. In alternate transfer type showers the seat shall be provided with a back support that is the length of the seat and that shall extend from a point 2 inches (51 mm) maximum above the seat surface to a point 18 inches (455 mm) minimum above the seat surface.

REASON: An alternate transfer shower could offer another bathing option that would fit in the footprint of a bathtub and provide more flexible options for assisted bathing.



Committee Action: AS AM D
608.2.1.4(NEW) ANDERSON

| | | |
|--|-----------------------------------|----------------------------------|
| Report for 06-56- 2021 | | |
| <i>Committee decision: AS/AM/D</i> | <i>Committee Vote at Meeting:</i> | <i>Committee Vote on Ballot:</i> |
| REPORT OF HEARING: | | |
| Modification (if any): | | |
| Committee Reason: | | |
| PUBLIC COMMENT- FIRST DRAFT: | | |
| Proponent: | | |
| Desired Action: | | |
| Modification: | | |
| Reason: | | |
| <i>Committee decision: AS/AM/D</i> | <i>Committee Vote at Meeting:</i> | <i>Committee Vote on Ballot:</i> |
| REPORT OF HEARING – FIRST DRAFT | | |
| Modification (if any): | | |
| Committee Reason: | | |
| PUBLIC COMMENT- SECOND DRAFT: | | |
| Proponent: | | |
| Desired Action: | | |

Report for 06-56- 2021

Modification:

Reason:

Committee decision: AS/AM/D**Committee Vote at Meeting:****Committee Vote on Ballot:****FINAL ACTION:**

Modification (if any):

Committee Reason:

06-57 – 2021

608.2.2.2, 608.2.2.3, 806.3.2, 608.3.2.1, 608.3.2.4(New), 608.3.2.5(New), 608.3.2.6(New), 608.4.2, 608.4.3(New), Figure 608.2.2.1, 608.2.2.1(B)(New), 608.2.2.2, 608.3.2(A), 608.3.2(B), 608.3.2(C), 608.3.2(D)(New), 608.4.2, 608.4.3(New)

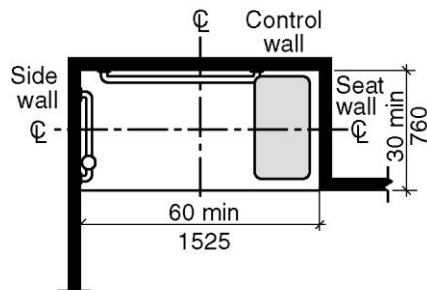
Proponent: Kimberly Paarlberg, International Code Council

Revise as follows:

SECTION 608 SHOWER COMPARTMENTS

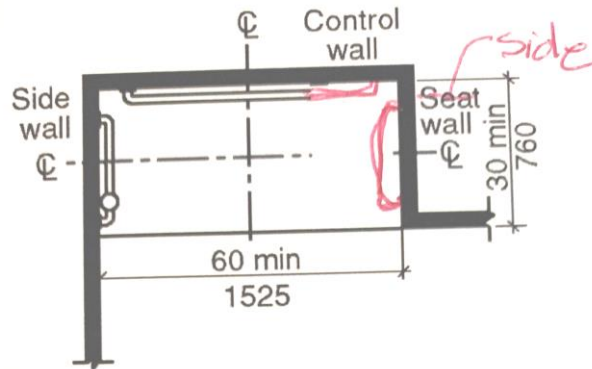
608.2.2 Standard roll-in-type shower compartments. Standard roll-in-type shower compartments shall comply with Section 608.2.2.

608.2.2.1 Size. Standard roll-in-type shower compartments shall have a clear inside dimension of 60 inches (1525 mm) minimum in width and 30 inches (760 mm) minimum in depth, measured at the center point of opposing sides. An entry 60 inches (1525 mm) minimum in width shall be provided.



Note: inside finished dimensions measured at the center points of opposing sides

FIGURE 608.2.2.1(A)
STANDARD ROLL-IN-TYPE SHOWER WITH A SEAT
COMPARTMENT SIZE



Note: inside finished dimensions measured at the center points of opposing sides

FIGURE 608.2.2.1(B)
STANDARD ROLL-IN-TYPE SHOWER WITH NO SEAT
COMPARTMENT SIZE

608.2.2.2 Clearance. A clearance of 60 inches (1525 mm) minimum in length adjacent to the 60-inch (1525 mm) width of the open face of the shower compartment, and 30 inches (760 mm) minimum in depth, shall be provided.

Exception Exceptions:

1. A lavatory complying with Section 606 shall be permitted at the end of the clearance opposite the seat.
2. Where no seat is provided, the lavatory complying with Section 606 shall be permitted at either end of the clearance.

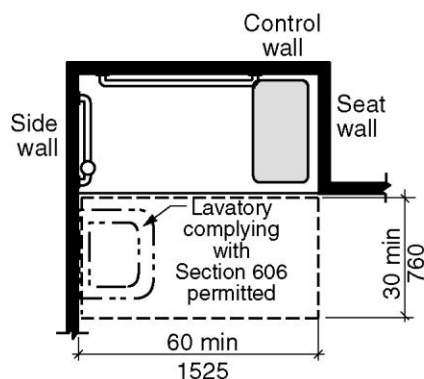


FIGURE 608.2.2.2(A)
STANDARD ROLL-IN-TYPE SHOWER COMPARTMENT WITH A SEAT
CLEARANCE

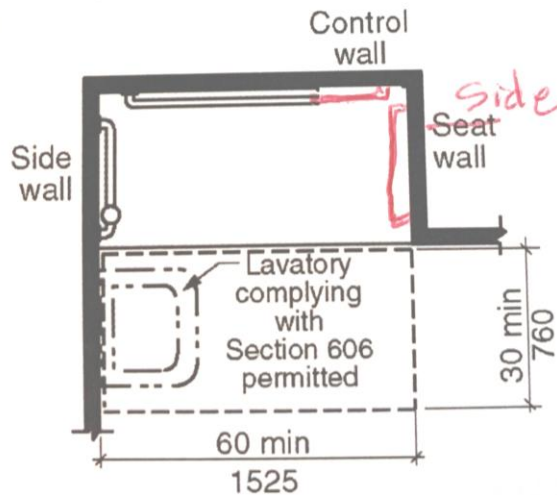


FIGURE 608.2.2.2(B)
STANDARD ROLL-IN-TYPE SHOWER COMPARTMENT WITH NO SEAT
CLEARANCE

608.2.2.3 Seat. A folding seat complying with Section 610 shall be provided on an end wall.

Exceptions:

1. A seat is not required to be installed in a shower for a single occupant accessed only through a private office and not for common use or public use, provided reinforcement has been installed in walls and located so as to permit the installation of a shower seat.
2. A fixed seat shall be permitted where the seat does not overlap the minimum clear inside dimension required by Section 608.2.2.1.
3. A seat is not required in bathrooms serving individual dwelling or sleeping units that are not transient lodging facilities.

608.3.2 Standard roll-in-type showers. Grab bars in standard roll-in showers with a seat shall comply with Sections 608.3.2.1 through 608.3.2.3. Grab bars in standard roll-in showers with no seat shall comply with Section 608.3.2.4 through 608.3.2.5.

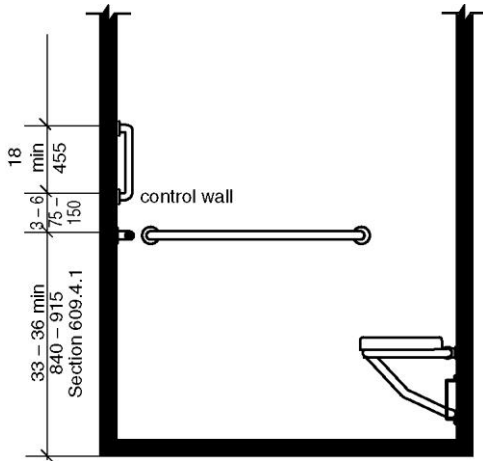


FIGURE 608.3.2(A)
GRAB BARS IN STANDARD ROLL-IN-TYPE SHOWER WITH A SEAT
ELEVATION

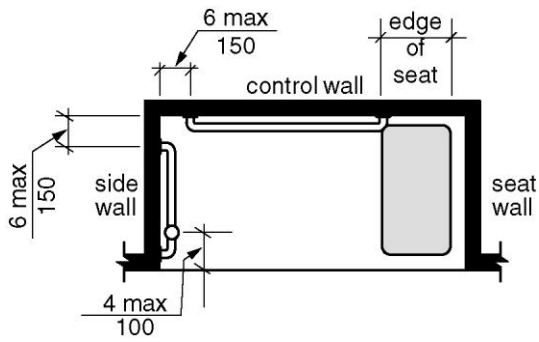


FIGURE 608.3.2(B)
GRAB BARS IN STANDARD ROLL-IN-TYPE SHOWER WITH SEAT
PLAN

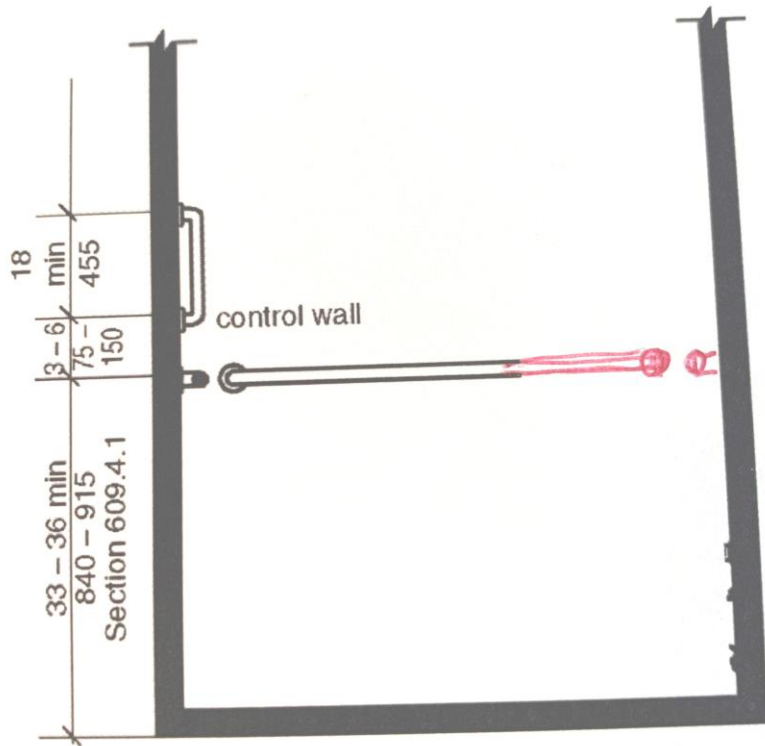


FIGURE 608.3.2(C)
GRAB BARS IN STANDARD ROLL-IN-TYPE SHOWER WITH NO SEAT
ELEVATION

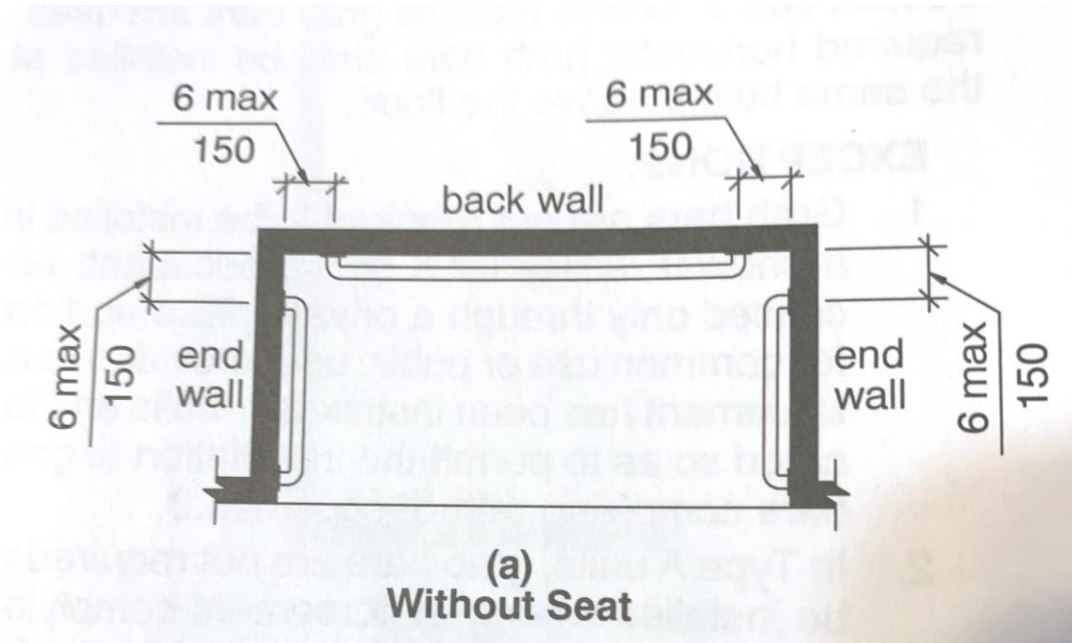


FIGURE 608.3.2(D)
GRAB BARS IN STANDARD ROLL-IN-TYPE SHOWER WITH NO SEAT
PLAN

608.3.2.1 Back-wall grab bar. In standard roll-in type showers with a seat, a grab bar shall be provided on the back wall beginning at the edge of the seat. The grab bars shall not be provided above the seat. The back-wall grab bar shall extend the length of the wall and extend within 6 inches (150 mm) maximum from the adjacent side wall opposite the seat.

Exceptions:

1. The back wall grab bar shall not be required to exceed 48 inches (1220 mm) in length.
2. The back-wall grab bar is not required to extend within 6 inches (150 mm) of the adjacent side wall opposite the seat if it would require the grab bar length to exceed 48 inches (1220 mm) in length.

608.3.2.2 Side-wall grab bars. Where a side wall is provided opposite the seat within 72 inches (1830 mm) of the seat wall, a grab bar shall be provided on the side-wall opposite the seat. The side wall grab bar shall extend the length of the wall and extend within 6 inches (150 mm) maximum from the adjacent back wall.

Exception: The side-wall grab bar shall not be required to exceed 30 inches (760 mm) in length.

608.3.2.3 Vertical grab bar. Where a side wall is provided opposite the seat within 72 inches (1830 mm) of the seat wall a vertical grab bar shall be provided. A vertical grab bar 18 inches (455 mm) minimum in length shall be provided on the end wall 3 inches (75 mm) minimum and 6 inches (150 mm) maximum above the horizontal grab bar, and 4 inches (100 mm) maximum inward from the front edge of the shower.

608.3.2.4 Back-wall grab bar. In standard roll-in type showers with no seat, a grab bar shall be provided on the back wall. The back-wall grab bar shall extend the length of the wall and extend within 6 inches (150 mm) maximum from the adjacent side walls.

Exceptions:

1. The back wall grab bar shall not be required to exceed 48 inches (1220 mm) in length.
2. The back-wall grab bar is not required to extend within 6 inches (150 mm) of one of the adjacent side walls if it would require the grab bar length to exceed 48 inches (1220 mm) in length.

608.3.2.5 Side-wall grab bars. A grab bar shall be provided on the side-walls. The side wall grab bar shall extend the length of the wall and extend within 6 inches (150 mm) maximum from the adjacent back wall.

Exceptions:

1. The side-wall grab bar shall not be required to exceed 30 inches (760 mm) in length.
2. Where the side walls are greater than 72 inches apart the side grab bar is not required on the wall furthest from the horizontal bar.

608.3.2.6 Vertical grab bar. A vertical grab bar 18 inches (455 mm) minimum in length shall be provided on the end wall 3 inches (75 mm) minimum and 6 inches (150 mm) maximum above the horizontal grab bar, and 4 inches (100 mm) maximum inward from the front edge of the shower.

608.4 Controls and hand showers. Controls and hand showers shall comply with Sections 608.4 and 309.4.

608.4.2 Standard roll-in showers. In standard roll-in showers with seat, the controls and hand shower shall not be located above the seat. Controls and hand showers shall be located according to the following:

1. On the back wall,
2. At a height of 38 inches (965 mm) minimum and 48 inches (1220 mm) maximum above the shower floor and
3. 16 inches (405 mm) minimum and 27 inches (685 mm) maximum from the wall behind the seat.

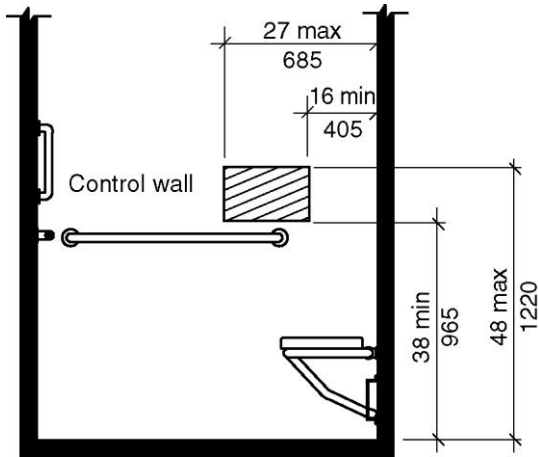


FIGURE 608.4.2
STANDARD ROLL-IN-TYPE SHOWER WITH SEAT
CONTROLS AND HAND SHOWER LOCATION

608.4.3 Standard roll-in showers. In standard roll-in showers with no seat, the controls and hand showers shall be located according to the following:

1. On the back wall or side walls.
2. At a height of 38 inches (965 mm) minimum and 48 inches (1220 mm) maximum above the shower floor.

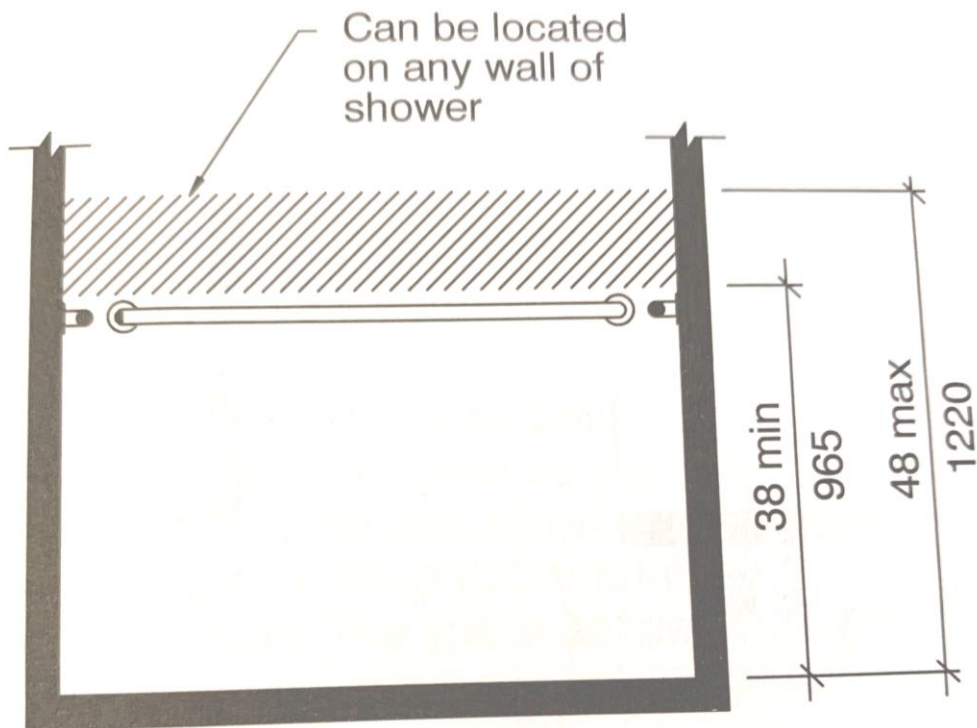


FIGURE 608.4.3
STANDARD ROLL-IN-TYPE SHOWER WITH NO SEAT
CONTROLS AND HAND SHOWER LOCATION

REASON: The purpose of this proposal is to bring back the option of the roll-in shower without seats to some residential or institutional occupancies. This is permitted in the 2010 ADA. Since we made this change there has been questions about allowing for this option where people are likely to have their own seats. While we did have a work group looking at assisted toileting and bathing, the scoping is only for some rooms in assisted living, nursing homes and rehabilitation hospitals. This option should be available in other living situations such as group homes or within Type A units.

Committee Action: AS AM D

608.2.2-PAARLBERG.doc

| | | |
|--|-----------------------------------|----------------------------------|
| Report for 06-57- 2021 | | |
| <i>Committee decision: AS/AM/D</i> | <i>Committee Vote at Meeting:</i> | <i>Committee Vote on Ballot:</i> |
| REPORT OF HEARING: | | |
| Modification (if any): | | |
| Committee Reason: | | |
| PUBLIC COMMENT- FIRST DRAFT: | | |
| Proponent: | | |
| Desired Action: | | |
| Modification: | | |
| Reason: | | |
| <i>Committee decision: AS/AM/D</i> | <i>Committee Vote at Meeting:</i> | <i>Committee Vote on Ballot:</i> |
| REPORT OF HEARING – FIRST DRAFT | | |
| Modification (if any): | | |
| Committee Reason: | | |
| PUBLIC COMMENT- SECOND DRAFT: | | |
| Proponent: | | |
| Desired Action: | | |
| Modification: | | |
| Reason: | | |
| <i>Committee decision: AS/AM/D</i> | <i>Committee Vote at Meeting:</i> | <i>Committee Vote on Ballot:</i> |
| FINAL ACTION: | | |
| Modification (if any): | | |
| Committee Reason: | | |

06-58 – 2021
608.2.2.1

Proponent: Doug Anderson, representing A117.1 Accessible Bathing Task Group

Revise as follows:

SECTION 608
SHOWER COMPARTMENTS

608.1 General. Shower compartments shall comply with Section 608.

608.2 Size, clearance and seat. Shower compartments shall have sizes, clearances and seats complying with Section 608.2.

608.2.1 Transfer-type shower compartments. Transfer-type shower compartments shall comply with Section 608.2.1.

608.2.2.1 Size. Standard roll-in-type shower compartments shall have a clear inside dimension of 60 inches (1525 mm) minimum in width and 30 inches (760 mm) minimum in depth, measured at the center point of opposing sides. An entry 60 inches (1525 mm) minimum in width shall be provided.

Exception. In an existing facility where a bathtub is altered to a roll-in shower, the width of the shower shall 58 inches (1473 mm) minimum.

REASON: This proposal is seeking to acknowledge the standard tub rough opening will not accommodate a 60” clear interior width for a roll-in shower.

Committee Action: AS AM D
608.2.2.1#1-ANDERSON.doc

| | | |
|--|-----------------------------------|----------------------------------|
| Report for 06-58– 2021 | | |
| <i>Committee decision: AS/AM/D</i> | <i>Committee Vote at Meeting:</i> | <i>Committee Vote on Ballot:</i> |
| REPORT OF HEARING: | | |
| Modification (if any): | | |
| Committee Reason: | | |
| PUBLIC COMMENT- FIRST DRAFT: | | |
| Proponent: | | |
| Desired Action: | | |
| Modification: | | |
| Reason: | | |
| <i>Committee decision: AS/AM/D</i> | <i>Committee Vote at Meeting:</i> | <i>Committee Vote on Ballot:</i> |
| REPORT OF HEARING – FIRST DRAFT | | |
| Modification (if any): | | |
| Committee Reason: | | |
| PUBLIC COMMENT- SECOND DRAFT: | | |
| Proponent: | | |
| Desired Action: | | |
| Modification: | | |
| Reason: | | |
| <i>Committee decision: AS/AM/D</i> | <i>Committee Vote at Meeting:</i> | <i>Committee Vote on Ballot:</i> |
| FINAL ACTION: | | |
| Modification (if any): | | |

Report for 06-58- 2021

Committee Reason:

06-59 – 2021
608.2.2.1

Proponent: Doug Anderson, representing A117.1 Accessible Bathing Task Group

Revise as follows:

SECTION 608
SHOWER COMPARTMENTS

608.1 General. Shower compartments shall comply with Section 608.

608.2 Size, clearance and seat. Shower compartments shall have sizes, clearances and seats complying with Section 608.2.

608.2.1 Transfer-type shower compartments. Transfer-type shower compartments shall comply with Section 608.2.1.

608.2.2.1 Size. Standard roll-in-type shower compartments shall have a clear inside dimension of 60 inches (1525 mm) minimum in width and 30 inches (760 mm) minimum in depth, measured at the center point of opposing sides. An entry 60 inches (1525 mm) minimum in width shall be provided.

Exception. Where an existing bathtub is replaced by a roll-in-type shower, the width of the shower shall be permitted to be 57.5 inches (1460 mm) minimum, provided that compliance with Section 608.2.2.1 would require an expansion in the overall size of the bathroom or would disturb the structural reinforcement of the floor slab.

REASON: This proposal is seeking to acknowledge the standard tub rough opening will not accommodate a 60” clear interior width for a roll-in shower.

The original roll-in shower size was intended to replace a tub. Tub rough opening does not allow for a finished 30x60 interior. This would achieve the original intent and allow for a more accessible bathing fixture without as extensive retrofits.

Committee Action: AS AM D

608.2.2.1#3-ANDERSON.doc

| | | |
|--|-----------------------------------|----------------------------------|
| Report for 06-59– 2021 | | |
| <i>Committee decision: AS/AM/D</i> | <i>Committee Vote at Meeting:</i> | <i>Committee Vote on Ballot:</i> |
| REPORT OF HEARING: | | |
| Modification (if any): | | |
| Committee Reason: | | |
| PUBLIC COMMENT- FIRST DRAFT: | | |
| Proponent: | | |
| Desired Action: | | |
| Modification: | | |
| Reason: | | |
| <i>Committee decision: AS/AM/D</i> | <i>Committee Vote at Meeting:</i> | <i>Committee Vote on Ballot:</i> |
| REPORT OF HEARING – FIRST DRAFT | | |
| Modification (if any): | | |
| Committee Reason: | | |

Report for 06-59- 2021

PUBLIC COMMENT- SECOND DRAFT:

Proponent:

Desired Action:

Modification:

Reason:

Committee decision: AS/AM/D

Committee Vote at Meeting:

Committee Vote on Ballot:

FINAL ACTION:

Modification (if any):

Committee Reason:

06-60 – 2021
608.2.3.2(New)

Proponent: Gene Boecker, Code Consultants, Inc.

Add new text as follows:

SECTION 608
SHOWER COMPARTMENTS

608.2.3 Alternate roll-in shower compartments.....

608.2.3.2 Clearance. The clearance outside the entry to an alternate roll-in type shower shall comply with the door maneuvering clearances in Section 404.2.3.4.

REASON: The standard does not indicate a clear floor space for accessible the alternate roll-in shower. In prior editions, the approach would have to be one with a minimum 36-inch accessible route. Because the opening for the alternate roll-in shower is to allow passage so that a seat transfer can occur, the opening is more like that of a door. The provisions would allow for a clear floor space to be provided to make such a passage (similar to Figure 404.2.3.4(A) or 404.2.3.4(C) depending on the approach).

Committee Action: AS AM D

608.2.3.2-BOECKER.doc

| | | |
|--|-----------------------------------|----------------------------------|
| Report for 06-60 – 2021 | | |
| <i>Committee decision: AS/AM/D</i> | <i>Committee Vote at Meeting:</i> | <i>Committee Vote on Ballot:</i> |
| REPORT OF HEARING: | | |
| Modification (if any): | | |
| Committee Reason: | | |
| PUBLIC COMMENT- FIRST DRAFT: | | |
| Proponent: | | |
| Desired Action: | | |
| Modification: | | |
| Reason: | | |
| <i>Committee decision: AS/AM/D</i> | <i>Committee Vote at Meeting:</i> | <i>Committee Vote on Ballot:</i> |
| REPORT OF HEARING – FIRST DRAFT | | |
| Modification (if any): | | |
| Committee Reason: | | |
| PUBLIC COMMENT- SECOND DRAFT: | | |
| Proponent: | | |
| Desired Action: | | |
| Modification: | | |
| Reason: | | |
| <i>Committee decision: AS/AM/D</i> | <i>Committee Vote at Meeting:</i> | <i>Committee Vote on Ballot:</i> |
| FINAL ACTION: | | |
| Modification (if any): | | |
| Committee Reason: | | |

06-61 – 2021

608.4.1, 608.4.2, 608.4.3, 608.5, 609.3, Figures 608.4.1, 608.4.1(B), 608.4.3(C)(New), 608.4.3(D)(New)

Proponent: Kimberly Paarlberg, International Code Council

Revise as follows:

SECTION 608 SHOWER COMPARTMENTS

608.4 Controls and hand showers. Controls and hand showers shall comply with Sections 608.4 and 309.4.

608.4.1 Transfer-type showers. In transfer-type showers, the on/off and temperature controls and diverter-hand shower shall be located according to the following:

1. On the control wall opposite the seat.
2. At a height of 38 inches (965 mm) minimum and 48 inches (1220 mm) maximum above the shower floor, ~~and.~~
3. 15 inches (380 mm) maximum, from the centerline of the control wall toward the shower opening.

In transfer-type showers, the means to hold the hand shower shall be located according to the following:

1. On the control wall opposite the seat or on the back wall 16 inches (405 mm) minimum from the wall behind the seat.
2. At a height of 38 inches (965 mm) minimum and 48 inches (1220 mm) maximum above the shower floor.

Exception: The bracket to hold the hand shower shall be permitted to be mounted on a vertical bar and be adjustable in height provided the bracket can be located on that bar within the reach range.

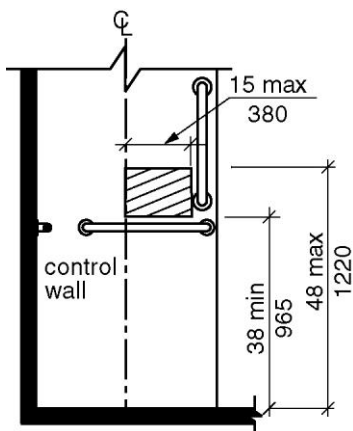


FIGURE 608.4.1(A)
TRANSFER-TYPE SHOWER CONTROLS AND ~~HAND SHOWER~~ LOCATION

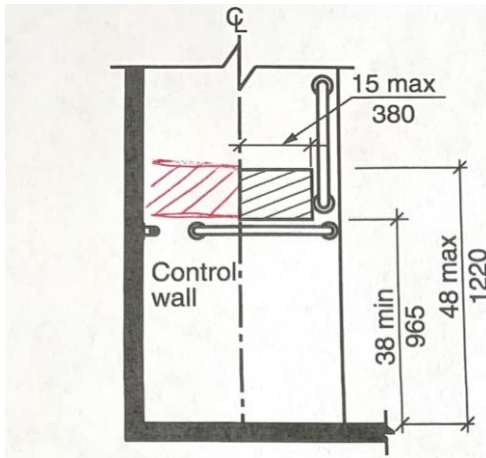


FIGURE 608.4.1(B)
TRANSFER-TYPE SHOWER HAND SHOWER LOCATION

608.4.2 Standard roll-in showers. In standard roll-in showers, the on/off and temperature controls, diverters and the means to hold the hand shower shall not be located above the seat. Controls and hand showers shall be located according to the following:

1. On the back wall,
2. At a height of 38 inches (965 mm) minimum and 48 inches (1220 mm) maximum above the shower floor and
3. 16 inches (405 mm) minimum and 27 inches (685 mm) maximum from the wall behind the seat.

Exception: The means to hold the hand shower shall be permitted to be mounted on a vertical bar and be adjustable in height provided the bracket can be located on that bar within the reach range.

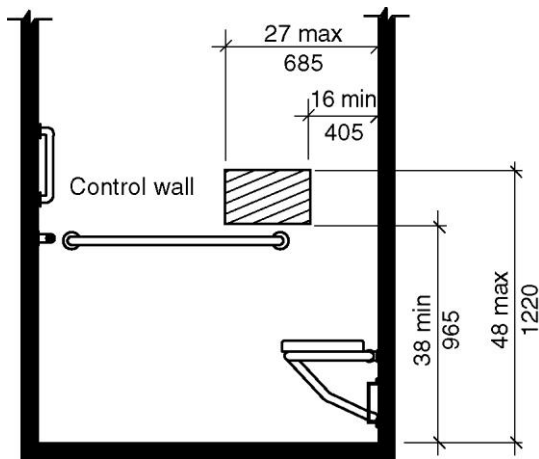


FIGURE 608.4.2

STANDARD ROLL-IN-TYPE SHOWER CONTROLS AND HAND SHOWER LOCATION

608.4.3 Alternate roll-in showers. In alternate roll-in showers, the on/off and temperature controls and ~~diverters and hand shower~~ shall be located according to the following:

1. At a height of 38 inches (965 mm) minimum and 48 inches (1220 mm) maximum above the shower floor, and
2. Where the controls and hand shower are located on the end wall adjacent to the seat, the controls and hand shower shall be 16 inches (405 mm) minimum and 27 inches (685 mm) maximum from the wall behind the seat wall, or
3. Where the controls and hand shower are located on the back wall opposite the seat, the controls and hand shower shall be located within 15 inches (380 mm) maximum from the centerline of the seat toward the transfer space.

In alternate roll-in showers, a means to hold the hand shower shall be located according to the following:

1. On the back wall opposite the seat or on the side wall 16 inches (405 mm) minimum from the wall behind the seat.
2. At a height of 38 inches (965 mm) minimum and 48 inches (1220 mm) maximum above the shower floor.

Exception: The means to hold the hand shower shall be permitted to be mounted on a vertical bar and be adjustable in height provided the bracket can be located on that bar within the reach range.

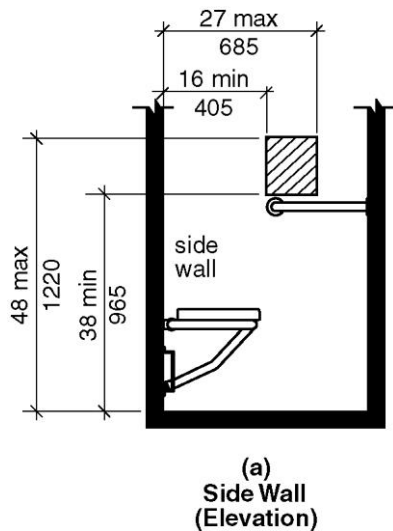
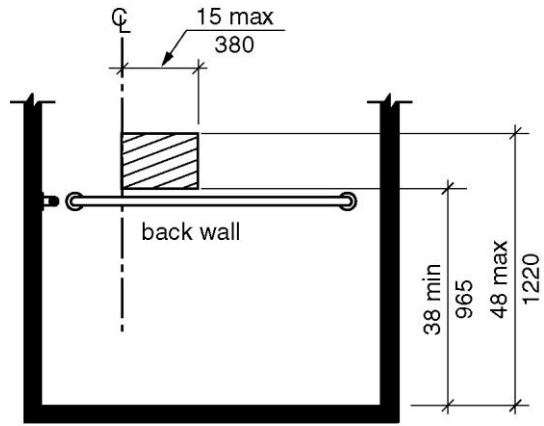
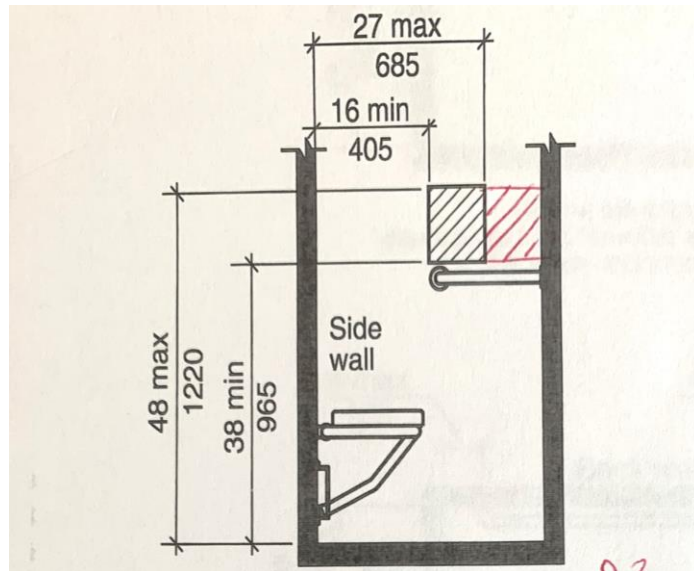


FIGURE 608.4.3(A)
ALTERNATE ROLL-IN-TYPE SHOWER CONTROLS AND ~~HAND SHOWER~~
LOCATION - END WALL - ELEVATION



(b)
Back Wall
(Elevation)

**FIGURE 608.4.3(B)
ALTERNATE ROLL-IN-TYPE SHOWER CONTROLS AND HAND SHOWER
LOCATION - CONTROL WALL – ELEVATION**



**FIGURE 608.4.3(C) ALTERNATE ROLL-IN-TYPE SHOWER HAND SHOWER
LOCATION - END WALL – ELEVATION**

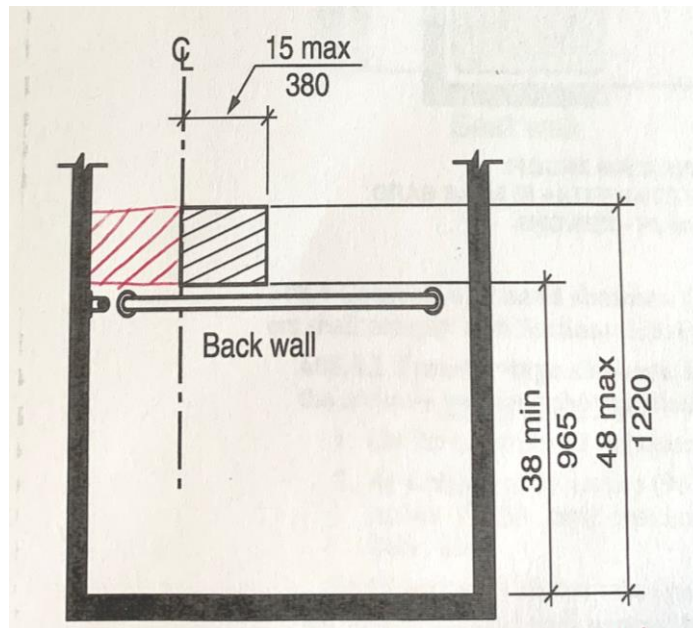


FIGURE 608.4.3(D)
ALTERNATE ROLL-IN-TYPE SHOWER HAND SHOWER LOCATION -
CONTROL WALL – ELEVATION

608.5 Hand showers. A hand shower with a hose 59 inches (1500 mm) minimum in length, that can be used both as a fixed shower head and as a hand shower, shall be provided. The hand shower shall have a control with a nonpositive shut-off feature. A means to hold the hand shower wand while in the on or off position shall be provided and located at a height of 38 inches (965 mm) minimum and 48 inches (1220 mm) maximum above the shower finish floor according to Section 608.4. Where provided, an adjustable-height means to hold the hand shower mounted on a vertical bar shall be installed so as to not obstruct the use of grab bars. A fixed shower head, in addition to the hand shower shall be permitted

Exception Exceptions:

1. In other than Accessible units and Type A units, a fixed shower head located 48 inches (1220 mm) maximum above the shower floor shall be permitted in lieu of a hand shower.
2. Where the means to hold the hand shower is adjustable on a vertical bar, the vertical bar is permitted to extend above 48 inches.

SECTION 609
GRAB BARS

609.3 Spacing. The space between the wall and the grab bar shall be 1½ inches (38 mm). The space between the grab bar and projecting objects below and at the ends of the grab bar shall be 1½ inches (38 mm) minimum. The space between the grab bar and projecting objects above the grab bar shall be 12 inches (305 mm) minimum.

Exceptions:

1. The space between the grab bars and shower/bathtub on/off and temperature controls, diverters, shower/bathtub fittings including the vertical bar for the adjustable means to hold the hand shower, and other grab bars above the grab bar shall be permitted to be 1 1/2 inches (38 mm) minimum.
2. Recessed dispensers projecting from the wall 1/4 inch (6.4 mm) maximum measured from the face of the dispenser and complying with Section 604.7 shall be permitted within the 12-inch (305 mm) space above and the 1 1/2-inch (38 mm) spaces below and at the ends of the grab bar.

REASON: This is for showers; there is a similar proposal for bathtubs. The intent of this proposal is to 1) leave the controls in the current location, but allow additional options for the means to hold the hand shower within reach of the seat and 2) use consistent and precise terminology and 3) coordinate current requirements. It is important that we are all using and understanding the terms in the same way -The ‘on/off and temperature controls’, depending on the system chosen, can be one, two or three handles. This controls the water flow and the temperature of the water.

The ‘diverter’ is for situations where there is both a fixed shower head and a hand held shower. The diverter can also be used to change the water spray to a variety of devices, such as back sprays or tub spouts. I have spoken with a group of ICC plumbing experts on what would be involved for relocating the diverter or providing additional sets of controls. Basically the response was extensive added plumbing behind the wall, or in some scenarios, cannot be done without options way past standard plumbing.

The hand shower consists of the 59” hose and the hand shower head. A means to turn the water on and off (non-positive shut off valve) is required on the shower head. The ‘means to hold the hand shower head’ can be a bracket on the wall or a sliding bracket on a vertical pole. The figures would be in addition to the current to show the options for the means to hold the hand shower head.

The changes to 608.5 is to keep the information for hand showers in one location – currently we have it mixed up in both. The exception indicates that a slider bar can be used for adjustment.

The changes to 609.3 is to clarify what ‘not obstruct the grab bar’ means.

Committee Action: AS AM D

608.4-PAARLBERG.doc

| | | |
|--|-----------------------------------|----------------------------------|
| Report for 06-61– 2021 | | |
| <i>Committee decision: AS/AM/D</i> | <i>Committee Vote at Meeting:</i> | <i>Committee Vote on Ballot:</i> |
| REPORT OF HEARING: | | |
| Modification (if any): | | |
| Committee Reason: | | |
| PUBLIC COMMENT- FIRST DRAFT: | | |
| Proponent: | | |
| Desired Action: | | |
| Modification: | | |
| Reason: | | |
| <i>Committee decision: AS/AM/D</i> | <i>Committee Vote at Meeting:</i> | <i>Committee Vote on Ballot:</i> |
| REPORT OF HEARING – FIRST DRAFT | | |
| Modification (if any): | | |
| Committee Reason: | | |

Report for 06-61– 2021**PUBLIC COMMENT- SECOND DRAFT:**

Proponent:

Desired Action:

Modification:

Reason:

Committee decision: AS/AM/D**Committee Vote at Meeting:****Committee Vote on Ballot:****FINAL ACTION:**

Modification (if any):

Committee Reason:

06-62 – 2021

608.4.1, Figure 608.4.1

Proponent: Doug Anderson, representing A117.1 Accessible Bathing Task Group

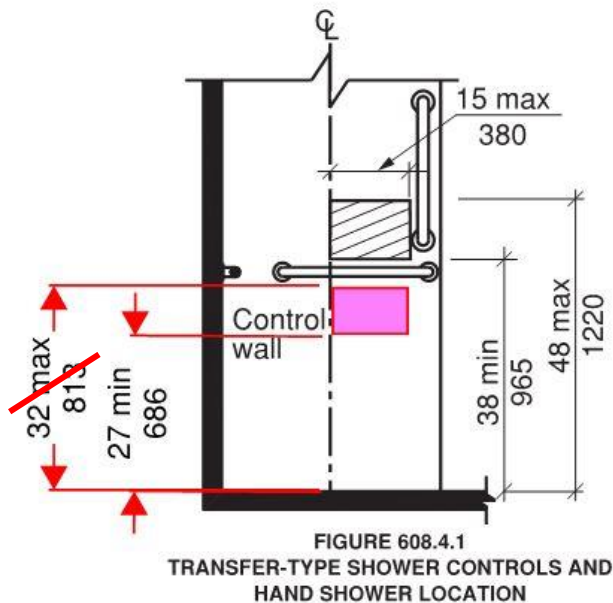
Revise as follows:

SECTION 608 SHOWERS

608.4.1 Transfer-type showers. In transfer-type showers, the controls and hand shower shall be located:

1. On the control wall opposite the seat.
2. Hand showers can be located at ~~At~~ a height of 38 inches (965 mm) minimum and 48 inches (1220 mm) maximum above the shower floor, ~~and~~
3. Controls can be located at a height of 27 inches (686 mm) minimum and 48 inches (122- mm) maximum above the shower floor, and
3. 4. 15 inches (380 mm) maximum, from the centerline of the control wall toward the shower opening.

Note: Revise figure to include additional control location.



REASON: This proposal provides an alternate location for hand controls under the required grab bars would help users and reduce the risk of fall. Section 609.3 would require the entire control to be 1-1/2" above or below the grab bar. This would be consistent with the approach used for bathtub controls below the grab bar.

Committee Action: AS AM D

| | | |
|--|-----------------------------------|----------------------------------|
| Report for 06-62- 2021 | | |
| <i>Committee decision: AS/AM/D</i> | <i>Committee Vote at Meeting:</i> | <i>Committee Vote on Ballot:</i> |
| REPORT OF HEARING: | | |
| Modification (if any): | | |
| Committee Reason: | | |
| PUBLIC COMMENT- FIRST DRAFT: | | |
| Proponent: | | |
| Desired Action: | | |
| Modification: | | |
| Reason: | | |
| <i>Committee decision: AS/AM/D</i> | <i>Committee Vote at Meeting:</i> | <i>Committee Vote on Ballot:</i> |
| REPORT OF HEARING – FIRST DRAFT | | |
| Modification (if any): | | |
| Committee Reason: | | |
| PUBLIC COMMENT- SECOND DRAFT: | | |
| Proponent: | | |
| Desired Action: | | |
| Modification: | | |
| Reason: | | |
| <i>Committee decision: AS/AM/D</i> | <i>Committee Vote at Meeting:</i> | <i>Committee Vote on Ballot:</i> |
| FINAL ACTION: | | |
| Modification (if any): | | |
| Committee Reason: | | |

06-63 – 2021

608.4.2

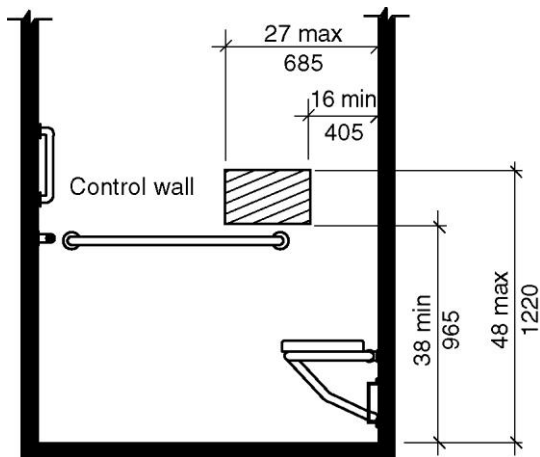
Proponent: Hope Reed, ADA Accessibility Consultant, representing self

Revise as follows:

SECTION 608 SHOWERS

608.4.2 Standard roll-in showers. In standard roll-in showers, the controls, ~~and~~ hand shower and other elements shall not be located above the seat. Controls, diverters, and hand showers shall be located according to the following:

1. On the back wall.
2. At a height of 38 inches (965 mm) minimum and 48 inches (1220 mm) maximum above the bathtub floor and
3. 16 inches (405 mm) minimum and 27 inches (685 mm) maximum from the wall behind the seat.



**FIGURE 608.4.2
STANDARD ROLL-IN-TYPE SHOWER CONTROLS AND
HAND SHOWER LOCATION**

REASON: Provide controls *for* people using the permanent seat and a wall mounted shower head *for* those who stand, with support of the grab bars, while showering. Serve varying levels of disability and allow a standard showering set up for the care giver, spouse, and friend who will also be sharing the accessible bathroom. Controls at the seated location are essential because a person who stands while showering can easily reach and adjust the diverter and water temperature at the back wall control area.

Committee Action: AS AM D

| | | |
|--|-----------------------------------|----------------------------------|
| Report for 06-63– 2021 | | |
| <i>Committee decision: AS/AM/D</i> | <i>Committee Vote at Meeting:</i> | <i>Committee Vote on Ballot:</i> |
| REPORT OF HEARING: | | |
| Modification (if any): | | |
| Committee Reason: | | |
| PUBLIC COMMENT- FIRST DRAFT: | | |
| Proponent: | | |
| Desired Action: | | |
| Modification: | | |
| Reason: | | |
| <i>Committee decision: AS/AM/D</i> | <i>Committee Vote at Meeting:</i> | <i>Committee Vote on Ballot:</i> |
| REPORT OF HEARING – FIRST DRAFT | | |
| Modification (if any): | | |
| Committee Reason: | | |
| PUBLIC COMMENT- SECOND DRAFT: | | |
| Proponent: | | |
| Desired Action: | | |
| Modification: | | |
| Reason: | | |
| <i>Committee decision: AS/AM/D</i> | <i>Committee Vote at Meeting:</i> | <i>Committee Vote on Ballot:</i> |
| FINAL ACTION: | | |
| Modification (if any): | | |
| Committee Reason: | | |

06-64 – 2021
608.5

Proponent: Hope Reed, ADA Accessibility Consultant, representing self

Revise as follows:

SECTION 608
SHOWERS

608.5 Hand showers. A hand shower with a hose 59 inches (1500mm) minimum in length, that can be used both as a fixed shower head and as a hand shower, shall be provided. The hand shower shall have a control with a nonpositive shut-off feature that complies with 309.4. Where provided, an adjustable-height hand shower mounted on a vertical bar shall be installed so as not to obstruct the use of grab bars. A means to hold the shower wand while in the on or off position shall be located at a height of 38 inches (965 mm) minimum and 48 inches (1220 mm) maximum above the shower floor. The hand shower wand shall be configured to allow adjustment of the water spray direction and limit rotation during use.

Exception: In other than Accessible units and Type A units, a fixed shower head located 48 inches (1220 mm) maximum above the shower floor shall be permitted in lieu of a hand shower.

REASON: The hose for hand shower wands is usually twisted and when water pressure comes on it becomes even more twisted. When the spray wand is attached to a vertical bar and water is turned on it may then rotate even further within the mounting. A round mount and round spray wand handle cannot be secured, especially when wet. Often the spray wand can spray in only one direction from its attachment. A person with disabilities who stands while showering may have to hover in the back corner and get only a small, small portion of the spray, or they may have to stand where they can block the water from spraying out into the room. *See alternate proposal we provided with 608.S(b).*

Committee Action: AS AM D

608.5a-REED.doc

| | | |
|--|-----------------------------------|----------------------------------|
| Report for 06-64– 2021 | | |
| Committee decision: AS/AM/D | Committee Vote at Meeting: | Committee Vote on Ballot: |
| REPORT OF HEARING: | | |
| Modification (if any): | | |
| Committee Reason: | | |
| PUBLIC COMMENT- FIRST DRAFT: | | |
| Proponent: | | |
| Desired Action: | | |
| Modification: | | |
| Reason: | | |
| Committee decision: AS/AM/D | Committee Vote at Meeting: | Committee Vote on Ballot: |
| REPORT OF HEARING – FIRST DRAFT | | |
| Modification (if any): | | |
| Committee Reason: | | |
| PUBLIC COMMENT- SECOND DRAFT: | | |

Report for 06-64- 2021

| | | |
|------------------------------------|-----------------------------------|----------------------------------|
| Proponent: | | |
| Desired Action: | | |
| Modification: | | |
| Reason: | | |
| Committee decision: AS/AM/D | Committee Vote at Meeting: | Committee Vote on Ballot: |
| FINAL ACTION: | | |
| Modification (if any): | | |
| Committee Reason: | | |

06-65 – 2021
608.5

Proponent: Hope Reed, ADA Accessibility Consultant, representing self

Revise as follows:

SECTION 608
SHOWERS

608.5 Hand showers. A hand shower with a hose 59 inches (1500mm) minimum in length, that can be used both as a fixed shower head and as a hand shower, shall be provided. The hand shower shall have a control with a nonpositive shut-off feature that complies with 309.4. Where provided, an adjustable-height hand shower mounted on a vertical bar shall be installed so as to not obstruct the use of grab bars. A means to hold the shower wand while in the on or off position shall be located at a height of 38 inches (965 mm) minimum and 48 inches (1220 mm) maximum above the shower floor. The hand shower mount shall require the hand shower water spray to be directed without rotating during use and shall be located according to the following:

1. On the back wall,
2. At a height of 38 inches (965 mm) minimum and 48 inches (1220 mm) maximum above the shower floor and
3. 16 inches (405 mm) minimum and 27 inches (685 mm) maximum from the wall behind the seat.

Exception: In other than Accessible units and Type A units, a fixed shower head located 48 inches (1220 mm) maximum above the shower floor shall be permitted in lieu of a hand shower.

REASON: The hose for hand shower wands is usually twisted and when water pressure comes on it becomes even more twisted. When the spray wand is attached to a vertical bar and water is turned on it may then rotate even further within the mounting. A round mount and round spray wand handle cannot be secured, especially when wet. Often the spray wand can spray in only one direction from its attachment. A person with disabilities who stands while showering may have to hover in the back corner and get only a small, small portion of the spray, or they may have to stand where they can block the water from spraying out into the room. *See alternate proposal we provided with 608.5(a).*

Committee Action: AS AM D

608.5b-REED.doc

| | | |
|-------------------------------------|-----------------------------------|----------------------------------|
| Report for 06-65– 2021 | | |
| Committee decision: AS/AM/D | Committee Vote at Meeting: | Committee Vote on Ballot: |
| REPORT OF HEARING: | | |
| Modification (if any): | | |
| Committee Reason: | | |
| PUBLIC COMMENT- FIRST DRAFT: | | |
| Proponent: | | |
| Desired Action: | | |

| | | |
|--|-----------------------------------|----------------------------------|
| Report for 06-65– 2021 | | |
| Modification: | | |
| Reason: | | |
| Committee decision: AS/AM/D | Committee Vote at Meeting: | Committee Vote on Ballot: |
| REPORT OF HEARING – FIRST DRAFT | | |
| Modification (if any): | | |
| Committee Reason: | | |
| PUBLIC COMMENT- SECOND DRAFT: | | |
| Proponent: | | |
| Desired Action: | | |
| Modification: | | |
| Reason: | | |
| Committee decision: AS/AM/D | Committee Vote at Meeting: | Committee Vote on Ballot: |
| FINAL ACTION: | | |
| Modification (if any): | | |
| Committee Reason: | | |

06-66 – 2021

608.6, 608.6.1(New)

Proponent: Stanley Wyche Ross, representing State of New Mexico Governor's Commission on Disability

Revise as follows:

SECTION 608 SHOWERS

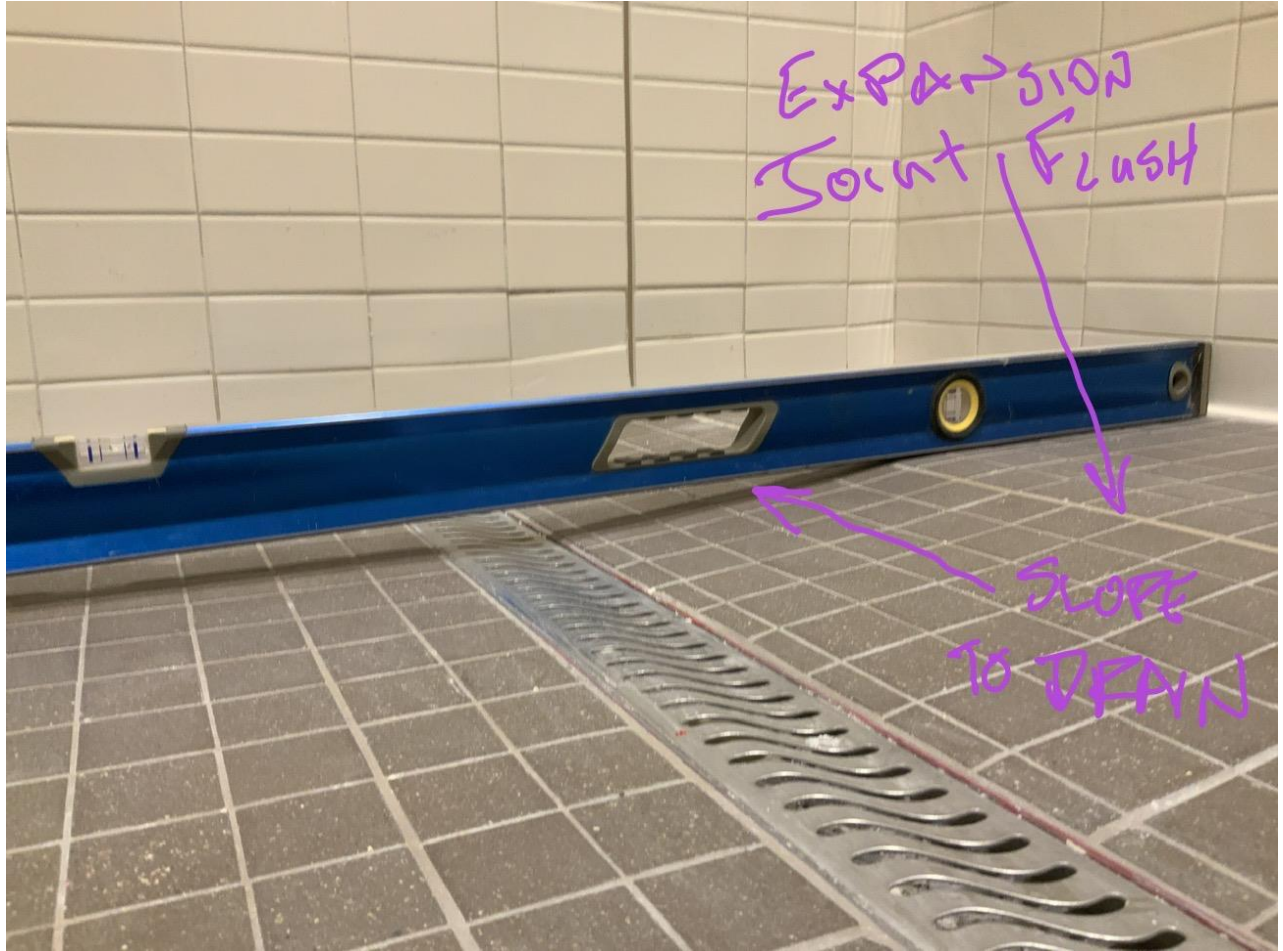
608.6 Shower floor and threshold. The shower floor and threshold shall comply with Section 608.6.

608.6.1 Shower floor. The slope of the required shower floor size shall not exceed 1:48 in all directions. The floor drains shall comply with Section 302.3. Changes in level are permitted only at the threshold strip.

608.6.2 Threshold. The threshold shall be located within a 4 inch (102 mm) wide strip along entry side of the shower, or sides of the shower. This 4 inch (102 mm) wide strip shall be centered along the shower floor size line. Threshold in roll-in-type shower compartments shall be 1/2 inch (13mm) maximum in height in accordance with Section 303. In transfer-type shower compartments, thresholds 1/2 inch (13mm) maximum in height shall be beveled, rounded, or vertical.

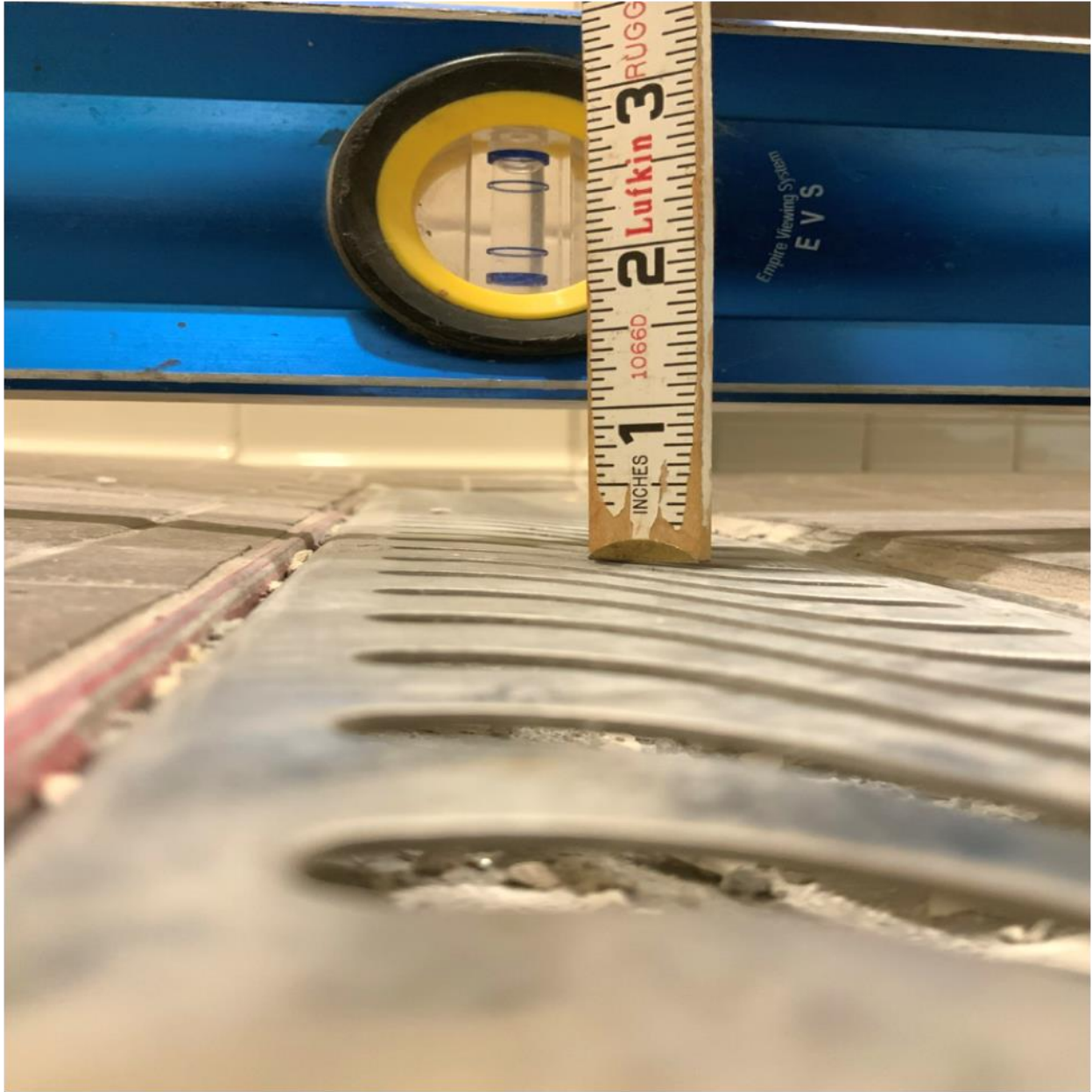
Exception: In existing facilities, in transfer-type shower compartments where provision of a threshold 1/2 inch (13 mm) in height would disturb the structural reinforcement of the floor slab, a threshold 2 inches (51 mm) maximum in height shall be permitted.

REASON: The required shower floor size needs specific slope standards. Identify 1 :48 maximum slopes within the required shower floor area similar to Section 502.5 parking area slopes. Also include a specific location for the threshold strip. The threshold could overlap the clearance between the clear floor area and shower seat. See attached photos of a recent shower install. We had to use the "Guidance on ADA" to help explain threshold requirements to the builder.



EXPANSION
JOINT FLUSH

SLOPE
TO DRAIN



This is a short video.



20210122_095947_v
ideo_20210122_0959

Committee Action: AS AM D

608.6-ROSS.doc

| | | |
|------------------------------------|-----------------------------------|----------------------------------|
| Report for 06-66- 2021 | | |
| Committee decision: AS/AM/D | Committee Vote at Meeting: | Committee Vote on Ballot: |
| REPORT OF HEARING: | | |
| Modification (if any): | | |
| Committee Reason: | | |

| | | |
|--|-----------------------------------|----------------------------------|
| Report for 06-66– 2021 | | |
| PUBLIC COMMENT- FIRST DRAFT: | | |
| Proponent: | | |
| Desired Action: | | |
| Modification: | | |
| Reason: | | |
| <i>Committee decision: AS/AM/D</i> | <i>Committee Vote at Meeting:</i> | <i>Committee Vote on Ballot:</i> |
| REPORT OF HEARING – FIRST DRAFT | | |
| Modification (if any): | | |
| Committee Reason: | | |
| PUBLIC COMMENT- SECOND DRAFT: | | |
| Proponent: | | |
| Desired Action: | | |
| Modification: | | |
| Reason: | | |
| <i>Committee decision: AS/AM/D</i> | <i>Committee Vote at Meeting:</i> | <i>Committee Vote on Ballot:</i> |
| FINAL ACTION: | | |
| Modification (if any): | | |
| Committee Reason: | | |

06-67 – 2021

608.7, 1103.5, 1103.11.2.5, 1103.11.2.5.3(New), 1104.11.3.1.3, 1104.11.3.1.3.3, 1104.11.3.1.3.4(New), 1104.11.3.2.3, 1104.11.3.2.3.3(New)

Proponent: Kimberly Paarlberg, International Code Council

Revise as follows:

SECTION 607 BATHTUBS

607.7 Bathtub enclosures. Enclosures for bathtubs shall not obstruct controls, faucets, shower and spray units or obstruct transfer from wheelchairs onto bathtub seats or into bathtubs. Enclosures on bathtubs shall not have tracks installed on the rim of the bathtub.

SECTION 608 SHOWERS

608.7 Shower enclosures. Shower compartment enclosures for shower compartments shall not obstruct controls or obstruct transfer from wheelchairs onto shower seats. Track for enclosures on showers shall comply with the threshold requirement in Section 608.6.

SECTION 1102 ACCESSIBLE UNITS

1102.11.2 Toilet and bathing facility. At least one toilet and bathing facility shall comply with Section 603. At least one lavatory, one water closet and either a bathtub or shower within the unit shall comply with Sections 604 through 610. These toilet and bathing fixtures shall be in a single toilet/bathing area, such that travel between fixtures does not require travel through other parts of the unit.

SECTION 1103 TYPE A UNITS

1103.5 Doors and doorways. The primary entrance door to the unit, and all other doorways intended for user passage, shall comply with Section 404.

Exceptions:

1. Thresholds at exterior sliding doors shall be permitted to be $\frac{3}{4}$ inch (19 mm) maximum in height, provided they are beveled with a slope not greater than 1:2.
2. In toilet rooms and bathrooms not required to comply with Section 1103.11.2, maneuvering clearances required by Section 404.2.3 shall not be required on the toilet room or bathroom side of the door.
3. A turning space between doors in a series as required by Section 404.2.5 is not required.
4. Storm and screen doors shall not be required to comply with Section 404.2.5.
5. Communicating doors between individual sleeping units shall not be required to comply with Section 404.2.5.

6. At other than the primary entrance door, where exterior space dimensions of balconies are less than the required maneuvering clearance, door maneuvering clearance is not required on the exterior side of the door.
7. The maneuvering clearances required by Section 404 shall not be required within a closet or pantry complying with Exception 2 of Section 1103.3.2.
8. Doors that are part of a shower enclosure are not required to comply with this section.

1103.11.2.5 Bathing fixtures. The bathing fixture shall be a bathtub complying with Section 1103.11.2.5.1 or a shower compartment complying with Section 1103.11.2.5.2. Bathtub and shower enclosures shall comply with Section 1103.11.2.5.3.

1103.11.2.5.1 Bathtub. Bathtubs shall comply with Section 607.

Exception: Countertops and cabinetry shall be permitted at one end of the clearance, provided the following criteria are met:

1. The countertop and cabinetry can be removed;
2. The floor finish extends under the countertop and cabinetry; and
3. The walls behind and surrounding the countertop and cabinetry are finished.

1103.11.2.5.2 Shower. Showers shall comply with Section 608.

Exception: At standard roll-in shower compartments complying with Section 608.2.2, lavatories, countertops and cabinetry shall be permitted at one end of the clearance, provided the following criteria are met:

1. The countertop and cabinetry can be removed;
2. The floor finish extends under the countertop and cabinetry; and
3. The walls behind and surrounding the countertop and cabinetry are finished.

1103.11.2.5.3 Bathtub or shower enclosures. A bathtub or shower enclosure shall be permitted where the assembly on the side of the bathtub or shower where the clearance is provided can be removed without removal or replacement of the surrounding walls and floor to which it is affixed.

SECTION 1104 TYPE B UNITS (Option A and Option B)

1104.5.2 User passage doorways. Doorways intended for user passage shall comply with Section 1104.5.2.

Exception: Doors that are part of a shower ~~door assembly~~ enclosure shall not be required to comply with this section.

1104.11.3.1.3 Bathing fixtures. Where provided, a bathtub shall comply with Section 1104.11.3.1.3.1 or 1104.11.3.1.3.2 and a shower compartment shall comply with Section 1104.11.3.1.3.3. Bathtub and shower enclosures shall comply with Section 1104.11.3.1.3.4.

1104.11.3.1.3.1 Parallel approach bathtubs. A clearance 60 inches (1525 mm) minimum in length and 30 inches (760 mm) minimum in width shall be provided in

front of bathtubs with a parallel approach. Lavatories complying with Section 606 shall be permitted in the clearance. A lavatory complying with Section 1104.11.3.1.1 shall be permitted at one end of the bathtub if a clearance 48 inches (1220 mm) minimum in length and 30 inches (760 mm) minimum in width is provided in front of the bathtub.

1104.11.3.1.3.2 Forward approach bathtubs. A clearance 60 inches (1525 mm) minimum in length and 48 inches (1220 mm) minimum in width shall be provided in front of bathtubs with a forward approach. A water closet and a lavatory shall be permitted in the clearance at one end of the bathtub.

1104.11.3.1.3.3 Shower compartment. If a shower compartment is the only bathing facility, the shower compartment shall have dimensions of 36 inches (915 mm) minimum in width and 36 inches (915 mm) minimum in depth. A clearance of 48 inches (1220 mm) minimum in length, measured perpendicular from the control wall, and 30 inches (760 mm) minimum in depth, measured from the face of the shower compartment, shall be provided.

Exceptions Exception:

1. A shower compartment with dimensions of 30 inches (760 mm) minimum in depth and 44 inches (1120 mm) minimum in width shall be permitted.
2. ~~A shower door assembly shall be permitted where the assembly can be removed without removal or replacement of the surrounding walls and floor to which it is affixed.~~

1104.11.3.1.3.4 Bathtub or shower enclosures. A bathtub or shower enclosure shall be permitted where the assembly on the side of the bathtub or shower where the clearance is provided can be removed without removal or replacement of the surrounding walls and floor to which it is affixed.

1104.11.3.2.3 Bathing fixtures. The bathing fixture shall be a bathtub complying with Section 1104.11.3.2.3.1 or a shower compartment complying with Section 1104.11.3.2.3.2. Bathtub and shower enclosures shall comply with Section 1104.11.3.2.3.3.

1104.11.3.2.3.1 Bathtub. A clearance 48 inches (1220 mm) minimum in length measured perpendicular from the control end of the bathtub, and 30 inches (760 mm) minimum in width shall be provided in front of bathtubs.

1104.11.3.2.3.2 Shower compartment. A shower compartment shall comply with Section 1104.11.3.1.3.3.

1104.11.3.2.3.3 Bathtub or shower enclosures. A bathtub or shower enclosure shall comply with Section 1104.11.3.1.3.4

REASON: The purpose of this change is to clarify the requirements for bathtub/shower and shower enclosure that use doors (swinging or sliding) instead of curtains to limit the spread of the water. Shower enclosures are addressed already for Type B units, but we did not clarify

bathtub/shower type units. While tracks for shower doors are addressed at bathtub edges, we are silent for showers with tracks.

Type A and Type B units are permanent housing, so within those units, removal of the enclosure should be permitted as an adaptation similar to cabinet removal in Type A units. Sliding doors are often used on showers to increase access into the room and to be in front of the shower. Shower doors of this type will not provide the 32” clear width of regular doors. Since a lot of slip and falls happen in your own bathroom, allowing for tub and shower enclosure is an important safety allowance.

I would like to get some better input from HUD on what is expected for enclosures in the FHAG.

Committee Action: AS AM D

607.7 et al-PAARLBERG.doc

| Report for 06-67- 2021 | | |
|--|-----------------------------------|----------------------------------|
| <i>Committee decision: AS/AM/D</i> | <i>Committee Vote at Meeting:</i> | <i>Committee Vote on Ballot:</i> |
| REPORT OF HEARING: | | |
| Modification (if any): | | |
| Committee Reason: | | |
| PUBLIC COMMENT- FIRST DRAFT: | | |
| Proponent: | | |
| Desired Action: | | |
| Modification: | | |
| Reason: | | |
| <i>Committee decision: AS/AM/D</i> | <i>Committee Vote at Meeting:</i> | <i>Committee Vote on Ballot:</i> |
| REPORT OF HEARING – FIRST DRAFT | | |
| Modification (if any): | | |
| Committee Reason: | | |
| PUBLIC COMMENT- SECOND DRAFT: | | |
| Proponent: | | |
| Desired Action: | | |
| Modification: | | |
| Reason: | | |
| <i>Committee decision: AS/AM/D</i> | <i>Committee Vote at Meeting:</i> | <i>Committee Vote on Ballot:</i> |
| FINAL ACTION: | | |
| Modification (if any): | | |
| Committee Reason: | | |

06-68 – 2021

608.9(New), 608.9.1(New), 608.9.2(New), 608.9.3(New)

Proponent: Doug Anderson, representing A117.1 Accessible Bathing Task Group

Add new text as follows:

SECTION 608 SHOWERS

Add new text as follows:

608.9 Shower Accessories. Accessories shelves shall have size and locations complying with Section 608.9.

608.9.1 Depth. Accessory shelves shall project 3 inch (76 mm) maximum from face of wall.

608.9.2 Quantities. Not more than one shelf shall in installed in a compartment.

608.9.3 Location. Accessory shelves shall be located at a height of 22 inches (559 mm) minimum and 32 inches (813 mm) maximum above the bathtub or shower floor. The shelves shall not overlap the seat or be located under the area required for controls.

REASON: This proposal provides guidance for surface mounted shelves inside the bathing fixtures.

Committee Action: AS AM D

608.9-ANDERSON.doc

| | | |
|--|-----------------------------------|----------------------------------|
| Report for 06-68– 2021 | | |
| <i>Committee decision: AS/AM/D</i> | <i>Committee Vote at Meeting:</i> | <i>Committee Vote on Ballot:</i> |
| REPORT OF HEARING: | | |
| Modification (if any): | | |
| Committee Reason: | | |
| PUBLIC COMMENT- FIRST DRAFT: | | |
| Proponent: | | |
| Desired Action: | | |
| Modification: | | |
| Reason: | | |
| <i>Committee decision: AS/AM/D</i> | <i>Committee Vote at Meeting:</i> | <i>Committee Vote on Ballot:</i> |
| REPORT OF HEARING – FIRST DRAFT | | |
| Modification (if any): | | |
| Committee Reason: | | |
| PUBLIC COMMENT- SECOND DRAFT: | | |
| Proponent: | | |
| Desired Action: | | |
| Modification: | | |
| Reason: | | |
| <i>Committee decision: AS/AM/D</i> | <i>Committee Vote at Meeting:</i> | <i>Committee Vote on Ballot:</i> |
| FINAL ACTION: | | |
| Modification (if any): | | |
| Committee Reason: | | |

06-69 – 2021

609 (New), 609.1(New), 609.2(New), 609.3(New), 609.4(New), 1009.7(New)

Proponent: Kimberly Paarlberg, International Code Council

Add new text as follows:

SECTION 609 **POOLSIDE OR OUTDOOR RINSING SHOWERS**

609.1 Poolside or outdoor rinsing showers. Where poolside or outdoor rinsing showers are provided, at least one shall comply with Section 609.2 thru 609.4.

609.2 Clear floor space. A circular turning space complying with Section 304.3.1 shall be provided at the shower heads. The turning space shall be located so that the shower pedestal or wall with the shower head are at the one end of the space and centered on the shower head.

609.3 Hand showers. Provide at least one hand-held shower spray unit with a hose 59 inches (1500 mm) long minimum. The hand-held shower spray unit shall have at least one fixed position located 15 inches minimum (380 mm) and 48 inches (1220 mm) maximum above the ground.

EXCEPTION: A fixed shower head located at 48 inches (1220 mm) maximum above the floor shall be permitted in place of a hand-held shower spray unit.

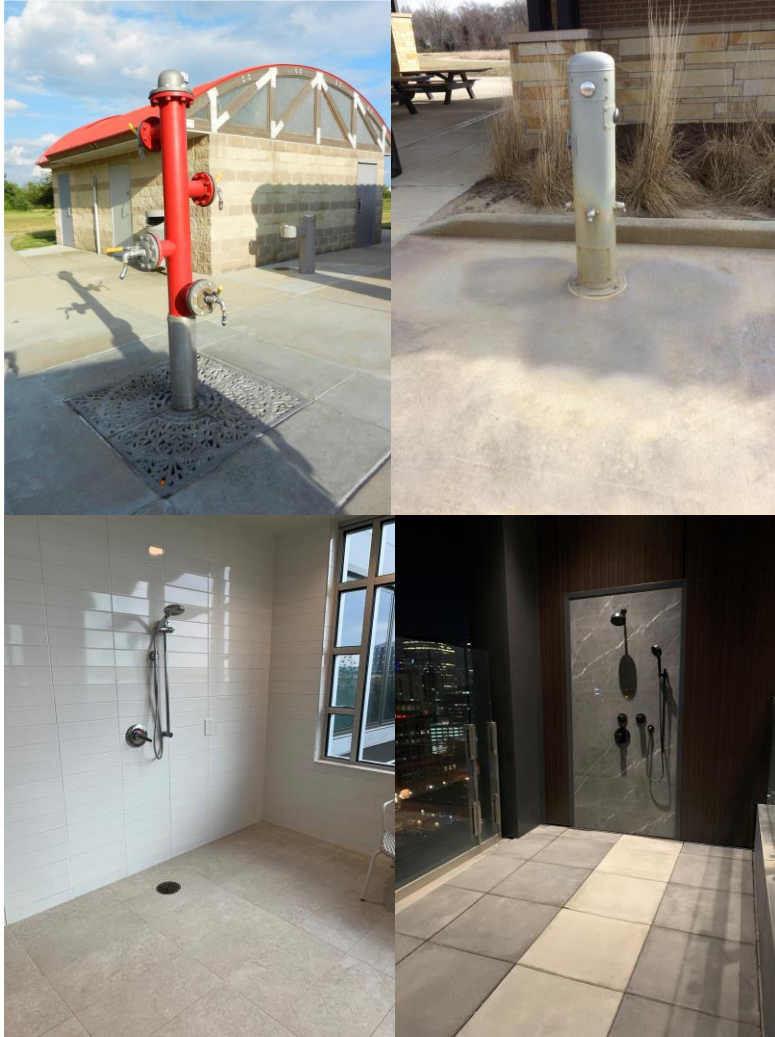
609.4 Controls. Controls for the water flow shall meet operable parts requirements in accordance with Section 309.

SECTION 1009 **SWIMMING POOLS, WADING POOLS, HOT TUBS AND SPAS**

1009.7 Rinse showers. Where rinse showers are provided, at least one shall comply with Section 609.

REASON: Poolside or outdoor rinsing showers are provided at swimming pools, playground splash pads and at bathrooms near beaches. There has been the question if these have to meet the general shower provisions in Section 608. Since this is not a transfer situation, seats and grab bars are should not be required. This is consistent with the Architectural Barriers Act Accessibility Standards (ABAAS) in Section 1011.7 and Table 1011.2.1.

Below are examples I found at a splash park, next to an indoor pool and next to an outdoor roof pool.



From the Access Board web site.

<https://www.access-board.gov/ada/guides/chapter-6-bathing-rooms/>

Are rinsing showers at swimming pools, beaches, and camping areas required to comply as showers?

Shower fixtures located outside bathrooms for use at swimming pools and beaches are not required to comply as showers. However, they must still meet applicable requirements for operable parts, including clear floor space and compliant controls within accessible reach range. The ABA Standards, which apply to federally funded facilities, include provisions for outdoor developed areas on federal lands. These provisions include requirements for outdoor rinsing showers (§1011.7) which can be consulted as a reference for other types of outdoor sites.

Committee Action: AS AM D

609 NEW-PAARLBERG.doc

Report for 06-69– 2021

| | | |
|--|-----------------------------------|----------------------------------|
| Committee decision: AS/AM/D | Committee Vote at Meeting: | Committee Vote on Ballot: |
| REPORT OF HEARING: | | |
| Modification (if any): | | |
| Committee Reason: | | |
| PUBLIC COMMENT- FIRST DRAFT: | | |
| Proponent: | | |
| Desired Action: | | |
| Modification: | | |
| Reason: | | |
| Committee decision: AS/AM/D | Committee Vote at Meeting: | Committee Vote on Ballot: |
| REPORT OF HEARING – FIRST DRAFT | | |
| Modification (if any): | | |
| Committee Reason: | | |
| PUBLIC COMMENT- SECOND DRAFT: | | |
| Proponent: | | |
| Desired Action: | | |
| Modification: | | |
| Reason: | | |
| Committee decision: AS/AM/D | Committee Vote at Meeting: | Committee Vote on Ballot: |
| FINAL ACTION: | | |
| Modification (if any): | | |
| Committee Reason: | | |

06-70 – 2021

609.3

Proponent: Kyle Thompson, Plumbing Manufacturers International (PMI)

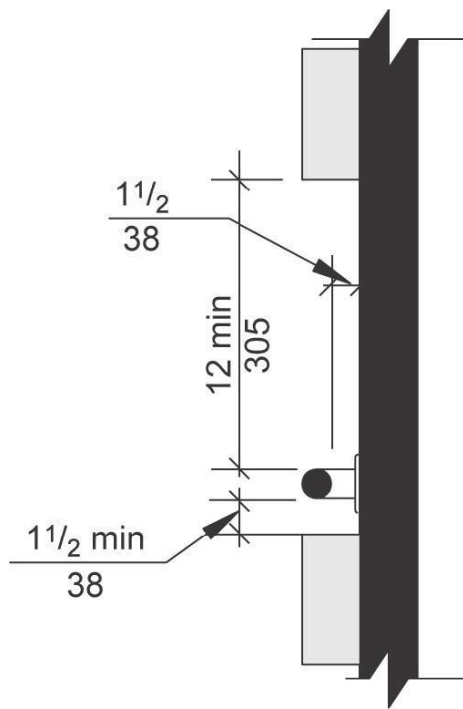
Revise as follows:

SECTION 609 GRAB BARS

609.3 Spacing. The space between the wall and the grab bar shall be 1 1/2 inches (38 mm). The space between the grab bar and projecting objects below and at the ends of the grab bar shall be 1 1/2 inches (38 mm) minimum. The space between the grab bar and projecting objects above the grab bar shall be 12 inches (305 mm) minimum.

Exceptions:

1. The space between the grab bars and shower controls, shower fittings, and other grab bars above the grab bar shall be permitted to be 1 1/2 inches (38 mm) minimum.
2. Recessed dispensers projecting from the wall 1/4 inch (6.4 mm) maximum measured from the face of the dispenser and complying with Section 604.7 shall be permitted within the 12-inch (305 mm) space above and the 1 1/2-inch (38 mm) spaces below and at the ends of the grab bar.
3. Flushing device cover plates and their controls projecting from the wall up to 1 inch (25 mm) maximum shall be permitted to be 1-1/2 inch (38 mm) minimum above the grab bar.



**FIGURE 609.3
SPACING OF GRAB BARS**

REASON: Adding exception 3 is consistent with other exceptions already identified in this section and the protrusion is limited to no greater than 1” which will not interfere with the continued use of the rear grab bar. This proposed change would make it easier on the user to access a flushing device cover plate and its controls located above the grab bar while still ensuring a minimum 1-1/2 inch space between the plate/controls and the grab bar and a limitation on the maximum projection beyond the wall. Such accommodations have already been provided in the standard for shower controls and dispensers.

The following figures are examples of the flushing device cover plates and their controls. The engineering for in-wall tank type toilets requires the flush plate remain within a specific vertical range from the bowl and its location can also be restricted horizontally. For flushometer type toilets, the rough plumbing may restrict the location. Additionally, if a grab bar is set at 36” and the flush plate must be 12” above that, the flush plate is pushed out of the obstructed side reach range of 48”, limiting the options for the end-user.



Committee Action: AS AM D

609.3-THOMPSON.doc

| | | |
|------------------------------------|-----------------------------------|----------------------------------|
| Report for 06-70- 2021 | | |
| <i>Committee decision: AS/AM/D</i> | <i>Committee Vote at Meeting:</i> | <i>Committee Vote on Ballot:</i> |
| REPORT OF HEARING: | | |
| Modification (if any): | | |
| Committee Reason: | | |

| | | |
|--|-----------------------------------|----------------------------------|
| Report for 06-70- 2021 | | |
| PUBLIC COMMENT- FIRST DRAFT: | | |
| Proponent: | | |
| Desired Action: | | |
| Modification: | | |
| Reason: | | |
| Committee decision: AS/AM/D | Committee Vote at Meeting: | Committee Vote on Ballot: |
| REPORT OF HEARING – FIRST DRAFT | | |
| Modification (if any): | | |
| Committee Reason: | | |
| PUBLIC COMMENT- SECOND DRAFT: | | |
| Proponent: | | |
| Desired Action: | | |
| Modification: | | |
| Reason: | | |
| Committee decision: AS/AM/D | Committee Vote at Meeting: | Committee Vote on Ballot: |
| FINAL ACTION: | | |
| Modification (if any): | | |
| Committee Reason: | | |

06-71 – 2021

609.4, 609.4.1, 609.4.2

Proponent: Marsha Mazz, United Spinal Association

Revise as follows:

SECTION 609 GRAB BARS

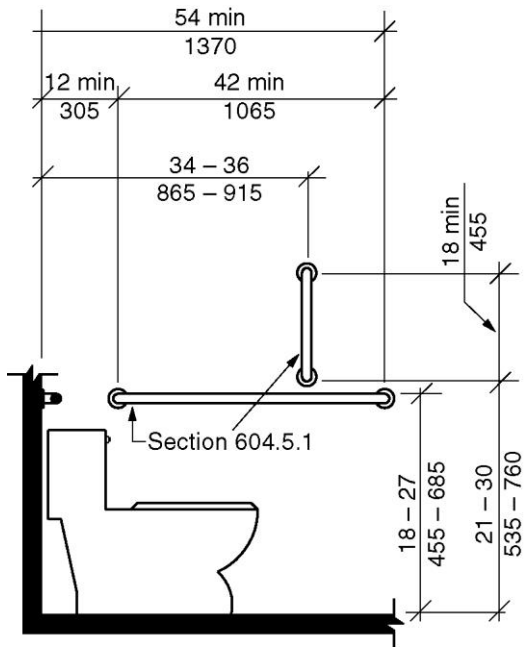
609.4 Position of grab bars. Grab bars shall be positioned in accordance with Section 609.4.1, 609.4.2, or 609.4.3 as applicable.

609.4.1 General Horizontal position. Except for the lower grab bar on the back wall of a bath tub, grab bars shall required to be installed in a horizontal position shall be 33 inches (840 mm) minimum and 36 inches (915 mm) maximum above the floor measured to the top of the gripping surface or shall be installed as required by Items 1 through 3.

- ~~1. The lower grab bar on the back wall of a bathtub shall comply with Section 607.4.1.1 or 607.4.2.1.~~
- ~~2. Vertical grab bars shall comply with Sections 604.5.1.2, 607.4.1.2.2, 607.4.2.2 and 608.3.1.2.~~
- ~~3. Grab bars at water closets primarily for children's use shall comply with Section 609.4.2.~~

609.4.2 Vertical position. The distance between grab bars required to be installed in a vertical position and any object shall be measured from the object to the centerline of the bar. Vertical grab bars shall comply with Sections 604.5.1.2, 607.4.1.2.2, 607.4.2.2 and 608.3.1.2 as applicable.

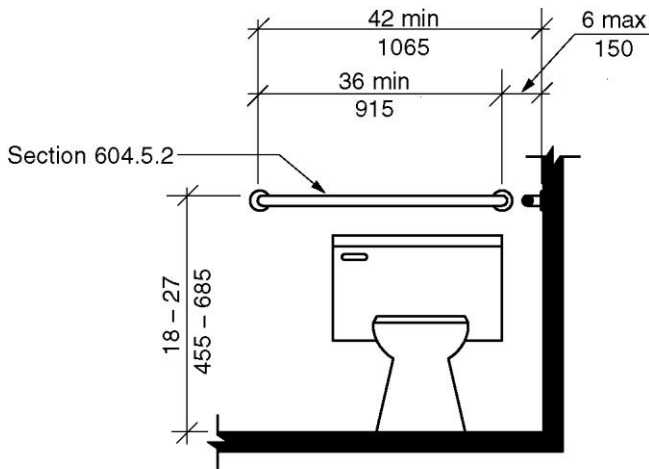
~~609.4.2~~ **609.4.3 Position of children's grab bars.** At water closets primarily for children's use complying with Section 604.11, grab bars shall required to be installed in a horizontal position shall be 18 inches (455 mm) minimum and 27 inches (685 mm) maximum above the floor measured to the top of the gripping surface. A vertical grab bar shall be mounted with the bottom of the bar located between 21 inches (535 mm) minimum and 30 inches (760 mm) maximum above the floor and with the centerline of the bar located between 34 inches (865 mm) minimum and 36 inches (915 mm) maximum from the rear wall.



Note: For adult dimensions see Fig. 604.5.1

(a) Side Wall View

FIGURE 609.4.2(A)-609.4.3(A)
POSITIONS OF CHILDREN'S GRAB BARS
SIDE-WALL VIEW



Note: For adult dimensions see Fig. 604.5.2

(b) Rear Wall View

FIGURE 609.4.2(B)-609.4.3(B)
POSITIONS OF CHILDREN'S GRAB BARS
REAR-WALL VIEW

REASON: This proposal simplifies a very confusing section. As written, the first part of the sentence in Section 609.4 requires grab bars to be installed in a horizontal position but, then goes on to allow options to install grab bars in a vertical position (Item #2) or in accordance with the

children’s requirements for horizontal grab bars in Section 604.11 and establishes a requirement for a vertical grab bar that is not included in Section 604.11 (Item #3). Item #1 specifically addresses the lower horizontal grab bar in a bath tub. Requirements in the base paragraph and the list are NOT interchangeable. Instead, each requirement establishes differing criteria for grab bar height or location from the back wall and the measurement method depending on its position (horizontal or vertical) or whether it is located in a bath tub.

In renumbered Section 609.4.3, the proposed revision makes clear that Section 604.11 “requires” grab bars to be installed in a horizontal position. The revision then ensures that the grab bars “shall be” installed at the specified height. We also propose to remove the word “between” in two places specifying the grab bar height and distance from the rear wall because, as written the requirement would not allow the bars to be installed at the end points of the ranges – only “between” the end points.

NOTE: This is a companion proposal to our proposal to revise Section 607.4. (06-41)

Committee Action: AS AM D

609.4.1-MAZZ.doc

| Report for 06-71– 2021 | | |
|--|-----------------------------------|----------------------------------|
| <i>Committee decision: AS/AM/D</i> | <i>Committee Vote at Meeting:</i> | <i>Committee Vote on Ballot:</i> |
| REPORT OF HEARING: | | |
| Modification (if any): | | |
| Committee Reason: | | |
| PUBLIC COMMENT- FIRST DRAFT: | | |
| Proponent: | | |
| Desired Action: | | |
| Modification: | | |
| Reason: | | |
| <i>Committee decision: AS/AM/D</i> | <i>Committee Vote at Meeting:</i> | <i>Committee Vote on Ballot:</i> |
| REPORT OF HEARING – FIRST DRAFT | | |
| Modification (if any): | | |
| Committee Reason: | | |
| PUBLIC COMMENT- SECOND DRAFT: | | |
| Proponent: | | |
| Desired Action: | | |
| Modification: | | |
| Reason: | | |
| <i>Committee decision: AS/AM/D</i> | <i>Committee Vote at Meeting:</i> | <i>Committee Vote on Ballot:</i> |
| FINAL ACTION: | | |
| Modification (if any): | | |
| Committee Reason: | | |

06-72 – 2021
609.4.1

Proponent: Gene Boecker, Code Consultants, Inc.

Revise as follows:

SECTION 609
GRAB BARS

609.4 Position of grab bars.

609.4.1 General. Grab bars shall be installed in a horizontal position, 33 inches (840 mm) minimum and 36 inches (915 mm) maximum above the floor measured to the top of the gripping surface or shall be installed as required by Items 1 through ~~3~~4.

1. The lower grab bar on the back wall of a bathtub shall comply with Section 607.4.1.1 or 607.4.2.1.
2. Vertical grab bars shall comply with Sections 604.5.1.2, 607.4.1.2.2, 607.4.2.2 and 608.3.1.2.
3. Grab bars at water closets primarily for children’s use shall comply with Section 609.4.2.
4. Multiple grab bars on adjacent walls shall be positioned within 1/2 inch (12.7 mm) of one another in height.

REASON: There is currently nothing that requires adjacent grab bars to be consistently positioned for height. Having one grab bar at a height three inches different than an adjacent one can be a safety concern. If someone is anticipating adjacent handrails to be the same height and it is “missing” that can lead to a dangerous situation. Although the adjacent grab bars are usually near the same height, we have seen handrails three inches off due to the need for clearance over the water closet tank – the side grab bar at 33 inches while the rear grab bar was at 36 inches.

The 1/2 inch dimension is to allow slight variations in the installation and the manner in which the height might be measured.

Committee Action: AS AM D

609.4.1-BOECKER.doc

| | | |
|--|-----------------------------------|----------------------------------|
| Report for 06-72– 2021 | | |
| <i>Committee decision: AS/AM/D</i> | <i>Committee Vote at Meeting:</i> | <i>Committee Vote on Ballot:</i> |
| REPORT OF HEARING: | | |
| Modification (if any): | | |
| Committee Reason: | | |
| PUBLIC COMMENT- FIRST DRAFT: | | |
| Proponent: | | |
| Desired Action: | | |
| Modification: | | |
| Reason: | | |
| <i>Committee decision: AS/AM/D</i> | <i>Committee Vote at Meeting:</i> | <i>Committee Vote on Ballot:</i> |
| REPORT OF HEARING – FIRST DRAFT | | |

| | | |
|--------------------------------------|-----------------------------------|----------------------------------|
| Report for 06-72- 2021 | | |
| Modification (if any): | | |
| Committee Reason: | | |
| PUBLIC COMMENT- SECOND DRAFT: | | |
| Proponent: | | |
| Desired Action: | | |
| Modification: | | |
| Reason: | | |
| Committee decision: AS/AM/D | Committee Vote at Meeting: | Committee Vote on Ballot: |
| FINAL ACTION: | | |
| Modification (if any): | | |
| Committee Reason: | | |

06-73 – 2021

609.7.1(New)

Proponent: Kimberly Paarlberg, International Code Council

Add new text as follows:

SECTION 609 GRAB BARS

609.7 Installation and configuration. Grab bars shall be installed in any manner that provides a gripping surface at the locations specified in this standard and does not obstruct the clear floor space. Horizontal and vertical grab bars shall be permitted to be separate bars, a single piece bar, or combination thereof.

609.7.1 Length of grab bar. The required length of a horizontal grab bar shall be measured horizontally to the center of the return or support. The required length of a vertical grab bar shall be measured vertically to the center of the return or support.

Exception: Where the grab bar is not supported at the ends, the required length of the grab bar shall be measured to the end of the grab bar.

REASON: As currently written the standard does not provide specific guidance as to whether the length of a grab bar is only the straight/graspable portion of the bar or how to measure if (a) the bar is curved to return to the wall or (b) supported by a bracket that covers a portion of the bar. See the attached figures (1 and 2) for examples.

At this point it appears that while the A117.1 and ADA do not clearly address this issue, that it has been addressed by the Fair Housing Design Manual (see Figure 3 attached) and that the conventional industry practice is to measure the grab bar length to the centerline of the return (for both curved or post-mounted). Therefore, the intent of this proposal is to simply provide some clarity and language within the standard so that the provision is enforced in a consistent manner. Leaving this topic unaddressed within the standard simply leads to inconsistent application and confusion.

The language selected here for adding was based on a proposal that has also been submitted to Section 505.10 to address handrails.

Figure 1: (Post supported, elevation and section)

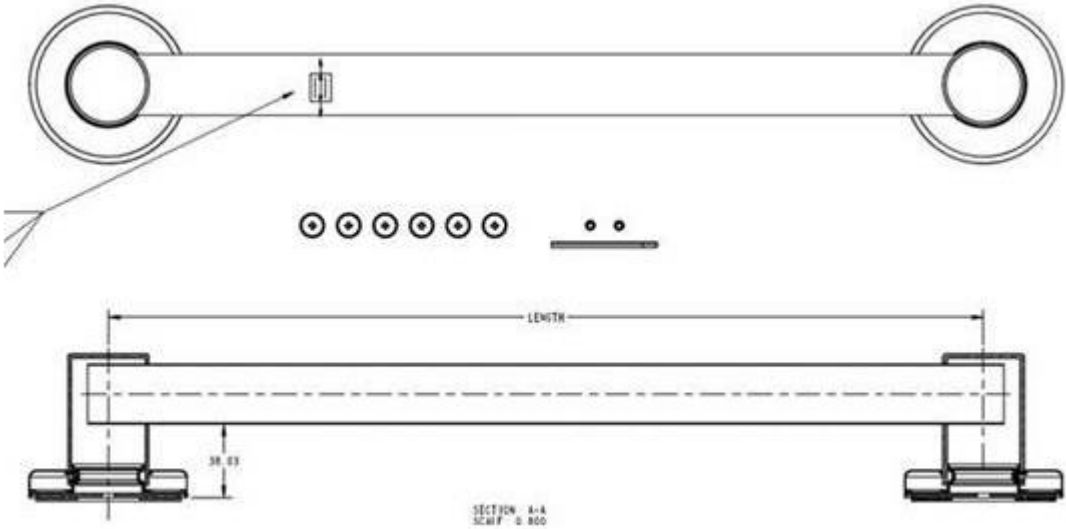


Figure 2: (End conditions; curved and post supported)

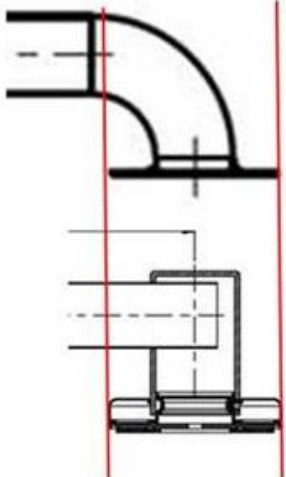
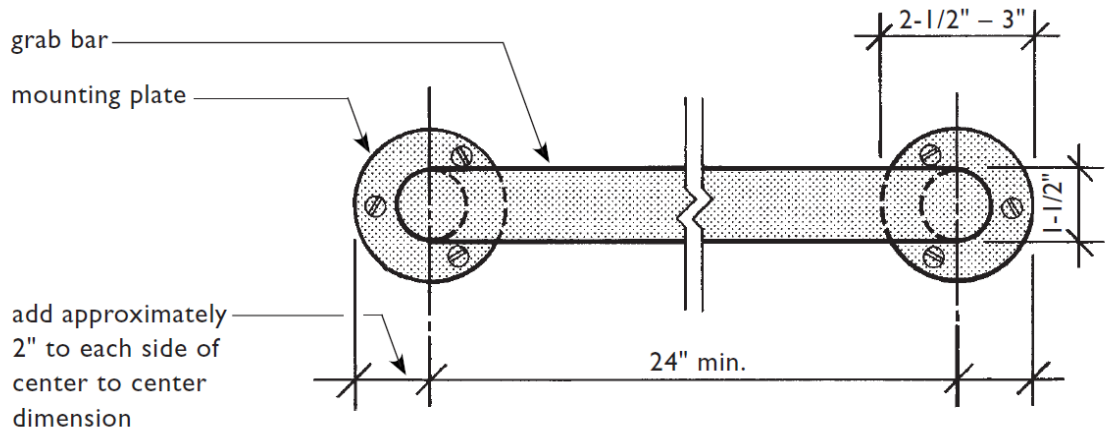


Figure 3: (Graphic from page 6.4 of Fair Housing Design Manual)



**Escutcheon Plates
Extend Beyond the Given Grab Bar Length**

This is an example of the type of grab bar addressed in the exception.



Committee Action:

AS

AM

D

Report for 06-73– 2021

| | | |
|--|-----------------------------------|----------------------------------|
| Committee decision: AS/AM/D | Committee Vote at Meeting: | Committee Vote on Ballot: |
| REPORT OF HEARING: | | |
| Modification (if any): | | |
| Committee Reason: | | |
| PUBLIC COMMENT- FIRST DRAFT: | | |
| Proponent: | | |
| Desired Action: | | |
| Modification: | | |
| Reason: | | |
| Committee decision: AS/AM/D | Committee Vote at Meeting: | Committee Vote on Ballot: |
| REPORT OF HEARING – FIRST DRAFT | | |
| Modification (if any): | | |
| Committee Reason: | | |
| PUBLIC COMMENT- SECOND DRAFT: | | |
| Proponent: | | |
| Desired Action: | | |
| Modification: | | |
| Reason: | | |
| Committee decision: AS/AM/D | Committee Vote at Meeting: | Committee Vote on Ballot: |
| FINAL ACTION: | | |
| Modification (if any): | | |
| Committee Reason: | | |

06-74 – 2021

610.2.1(New), 610.2.2(New), 610.2.3(New), Figures 610.2(A), 610.2(B), 610.2.3(New)

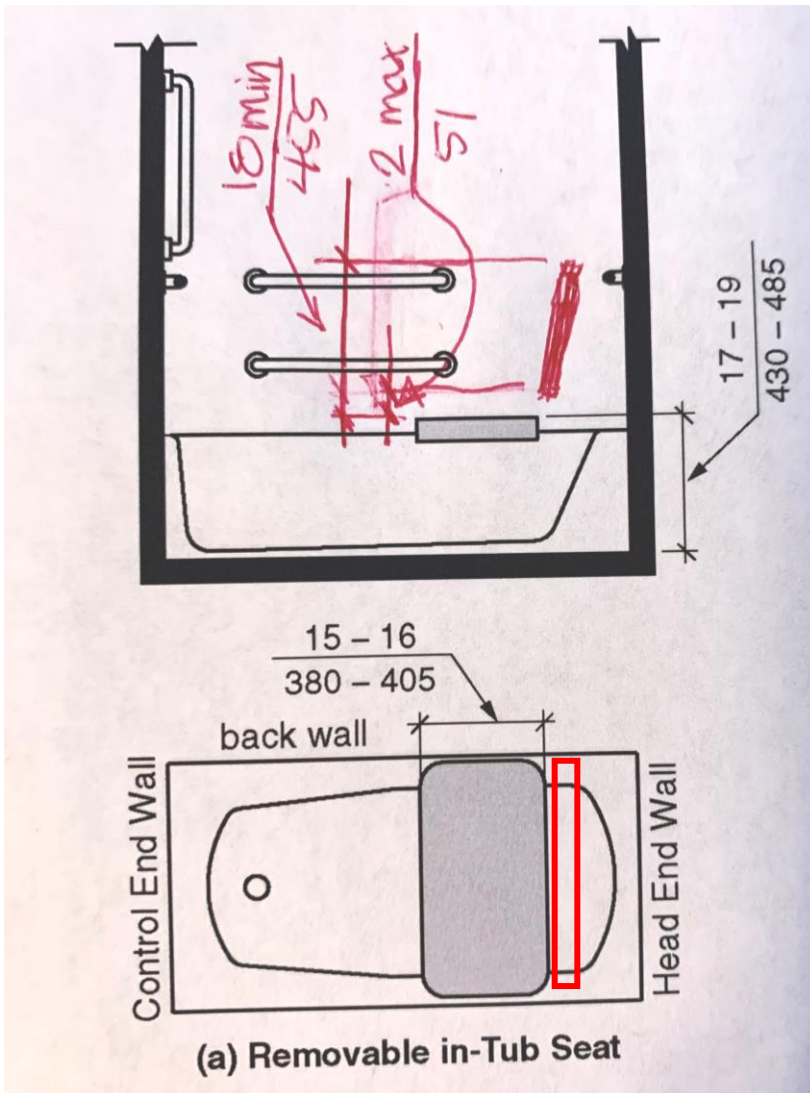
Proponent: Doug Anderson, representing A117.1 Accessible Bathing Task Group

Revise as follows:

SECTION 610 SEATS

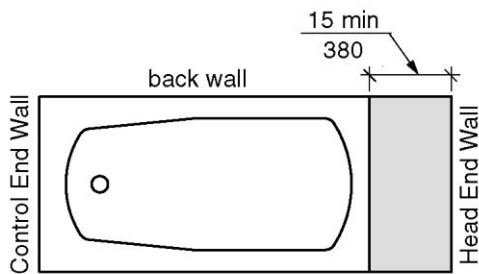
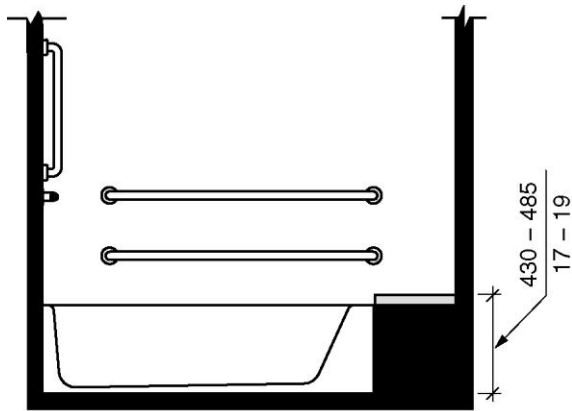
610.2 Bathtub seats. The height of bathtub seats shall be 17 inches (430 mm) minimum and 19 inches (485 mm) maximum above the bathroom floor, measured to the top of the seat.

610.2.1 Removable in-tub seats. Removable in-tub seats shall be 15 inches (380 mm) minimum and 16 inches (405 mm) maximum in depth and shall provide a back support that shall extend from a point 2 inches (51 mm) maximum above the seat surface to a point 18 inches (455 mm) minimum above the seat surface. Removable in-tub seats shall be capable of secure placement with the back edge of the seat positioned 35 to 37 inches from the foot control wall.



**FIGURE 610.2(A)-610.2.1
BATHTUB SEATS
REMOVABLE IN-TUB SEATS**

610.2.2 Permanent Bathtub Seats. Permanent bathtub seats shall be 15 inches (380 mm) minimum in depth and shall extend from the back wall to or beyond the outer edge of the bathtub. Permanent seats shall be positioned at the head end of the bathtub.



(b) Seat provided at head end of tub

**FIGURE 610.2(B) 610.2.2
BATHTUB SEATS
SEAT PROVIDED AT HEAD END OF TUB**

610.2.3 Fixed folding in-tub seats. Fixed folding in-tub seats must be rectangular and shall be mounted on the head wall. The rear edge of a rectangular seat shall be 21/2 inches (64 mm) maximum and the front edge shall be 15 inches (380 mm) minimum and 16 inches (405 mm) maximum from the head wall. The side edge of the seat shall be 11/2 inches (38 mm) maximum from the back wall.

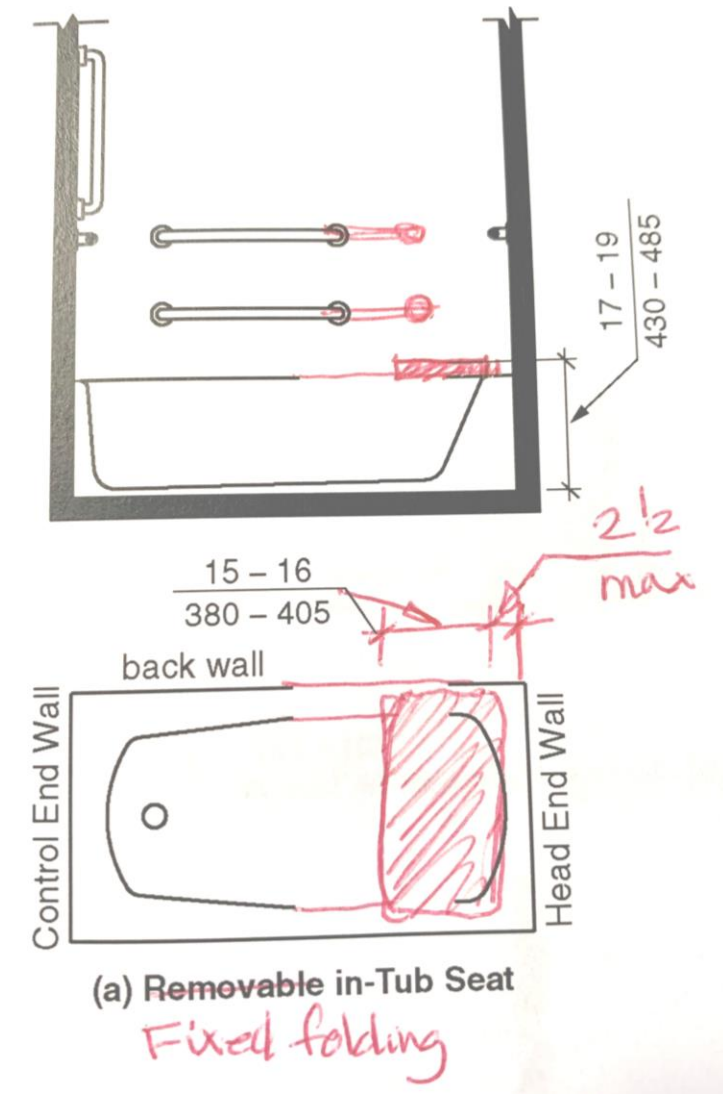


FIGURE 610.2.3
BATHTUB SEATS
FIXED FOLDING IN-TUB SEATS

REASON: This proposal is seeking to provide better direction to the industry on the type and placement of tub seats. The photos are to illustrate what this proposal is talking about.



Staff Note: This proposal is from the A117.1 Accessible Bathing Task Group. Proposals 06-37, 06-38, 06-41, 06-46 and 06-74 are all related to bathtubs with a fixed folding in-tub seat.

Committee Action: AS AM D

610.2-ANDERSON.doc

| Report for 06-74- 2021 | | |
|--|-----------------------------------|----------------------------------|
| Committee decision: AS/AM/D | Committee Vote at Meeting: | Committee Vote on Ballot: |
| REPORT OF HEARING: | | |
| Modification (if any): | | |
| Committee Reason: | | |
| PUBLIC COMMENT- FIRST DRAFT: | | |
| Proponent: | | |
| Desired Action: | | |
| Modification: | | |
| Reason: | | |
| Committee decision: AS/AM/D | Committee Vote at Meeting: | Committee Vote on Ballot: |
| REPORT OF HEARING – FIRST DRAFT | | |
| Modification (if any): | | |
| Committee Reason: | | |
| PUBLIC COMMENT- SECOND DRAFT: | | |
| Proponent: | | |
| Desired Action: | | |
| Modification: | | |
| Reason: | | |
| Committee decision: AS/AM/D | Committee Vote at Meeting: | Committee Vote on Ballot: |
| FINAL ACTION: | | |
| Modification (if any): | | |
| Committee Reason: | | |

06-75 – 2021
610.5(New)

Proponent: Gene Boecker, Code Consultants, Inc.

Add new text as follows:

SECTION 610
SEATS

610.5 Projections. Projections greater than 1/4 inch (6.4 mm) shall not be permitted within 42 inches (1065 mm) above the seat.

Exception: Grab bars complying with Section 608.3.1.

REASON: Elsewhere the grab bars are noted as not being allowed to extend over the seat. Except where the transfer shower has a specific dimension which could easily overlap the seat. Hence the exception. However, there is nothing specific about other types of projections such as soap dishes or shampoo dispensers. A review of available ergonomic dimensions shows that a height of 35 inches above the seat will be adequate to avoid contact where the projection is located on the wall behind the seat. An upward held hand can reach around 50 inches above the seat so 42 inches allows for both safety from the projection and the ability to reach the element. A soap dish could be less than 4 inches so a reference to Section 307 isn't helpful. It is also unlikely that anyone would consider a shower or bathtub a circulation path. Therefore, a specific height is needed.

An allowable projection of 1/4 inch is necessary to accommodate accent tile pieces within the shower. Typical ceramic tile is around 1/4 inch to 5/16 inch thick. Accent tiles tend to be close to 1/2 inch thick. This accommodates accent tile without prohibiting their use.

The exception recognizes that in a transfer shower the length of the grab bar is specified so it will overlap an L-shaped seat in the shower.

Committee Action: AS AM D

610.5-BOECKER.doc

| | | |
|--|-----------------------------------|----------------------------------|
| Report for 06-75– 2021 | | |
| <i>Committee decision: AS/AM/D</i> | <i>Committee Vote at Meeting:</i> | <i>Committee Vote on Ballot:</i> |
| REPORT OF HEARING: | | |
| Modification (if any): | | |
| Committee Reason: | | |
| PUBLIC COMMENT- FIRST DRAFT: | | |
| Proponent: | | |
| Desired Action: | | |
| Modification: | | |
| Reason: | | |
| <i>Committee decision: AS/AM/D</i> | <i>Committee Vote at Meeting:</i> | <i>Committee Vote on Ballot:</i> |
| REPORT OF HEARING – FIRST DRAFT | | |
| Modification (if any): | | |
| Committee Reason: | | |
| PUBLIC COMMENT- SECOND DRAFT: | | |
| Proponent: | | |
| Desired Action: | | |
| Modification: | | |

Report for 06-75– 2021

Reason:

Committee decision: AS/AM/D**Committee Vote at Meeting:****Committee Vote on Ballot:****FINAL ACTION:**

Modification (if any):

Committee Reason:

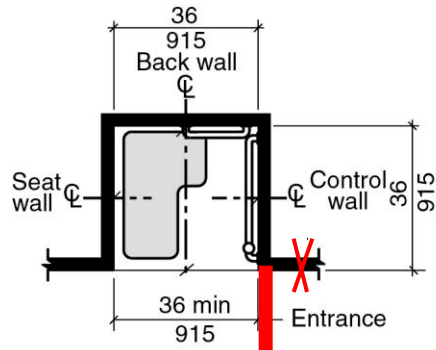
06-76 – 2021

Figures 608.2.1.1, 608.2.1.2(A), 608.2.1.2(B), 608.2.1.2(C), 608.3.1(B), 608.3.2(B), 608.3.3(B), 1104.11.3.1.3.3(A), 1104.11.3.1.3.3(B)

Proponent: Kimberly Paarlberg, International Code Council

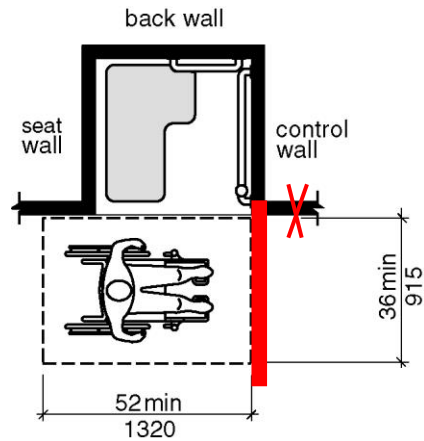
Revise as follows:

SECTION 608 SHOWER COMPARTMENTS



Note: inside finished dimensions measured at the center points of opposing sides

**FIGURE 608.2.1.1
TRANSFER-TYPE SHOWER COMPARTMENT SIZE**



**FIGURE 608.2.1.2(A)
TRANSFER-TYPE SHOWER COMPARTMENT CLEARANCES
NEW BUILDINGS – OPTION 1**

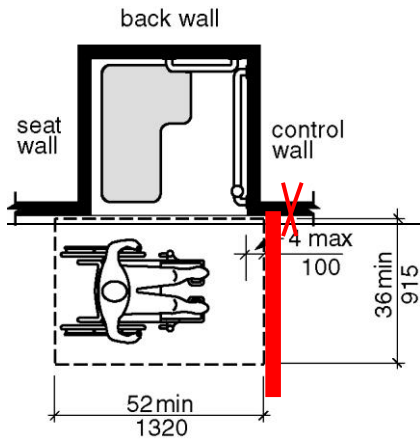


FIGURE 608.2.1.2(B)
TRANSFER-TYPE SHOWER COMPARTMENT CLEARANCES
NEW BUILDINGS - OPTION 2

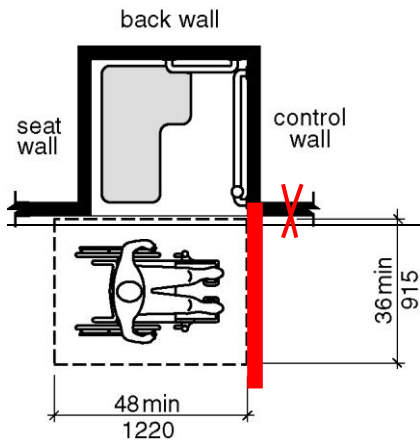
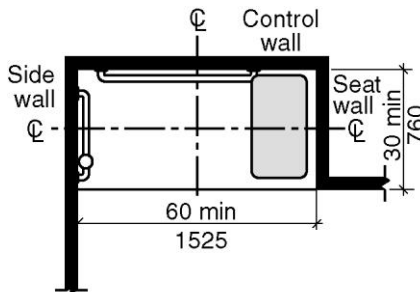


FIGURE 608.2.1.2(C)
TRANSFER-TYPE SHOWER COMPARTMENT CLEARANCES
EXISTING BUILDINGS



Note: inside finished dimensions measured at the center points of opposing sides

FIGURE 608.2.2.1
STANDARD ROLL-IN-TYPE SHOWER COMPARTMENT SIZE

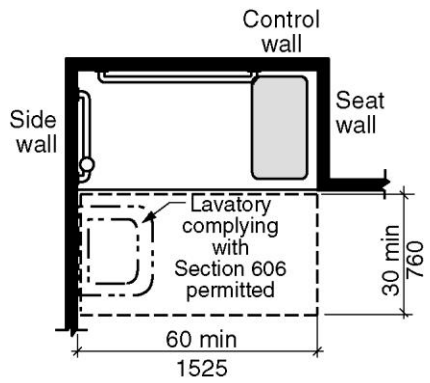
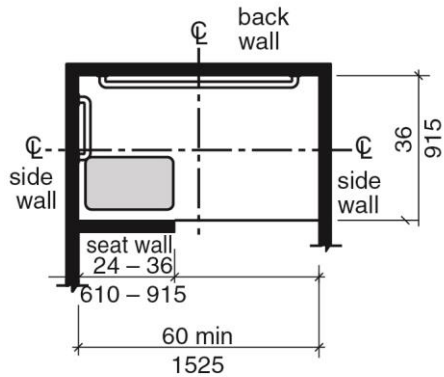


FIGURE 608.2.2.2
STANDARD ROLL-IN-TYPE SHOWER COMPARTMENT CLEARANCE



Note: inside finished dimensions measured at the center points of opposing sides

FIGURE 608.2.3.1
ALTNATE ROLL-IN-TYPE SHOWER COMPARTMENT SIZE

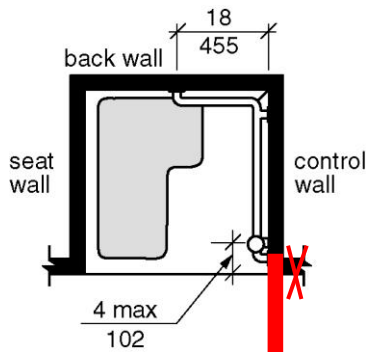


FIGURE 608.3.1(B)
GRAB BARS IN TRANSFER-TYPE SHOWER-PLAN

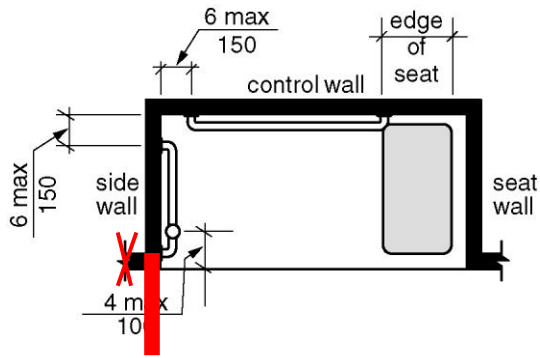


FIGURE 608.3.2(B)
GRAB BARS IN STANDARD ROLL-IN-TYPE SHOWER - PLAN

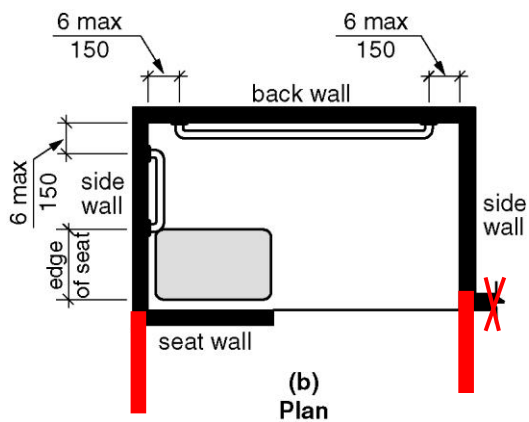
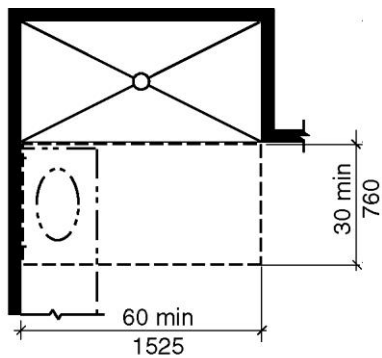


FIGURE 608.3.3(B)
GRAB BARS IN ALTERNATIVE ROLL-IN-TYPE SHOWER - PLAN

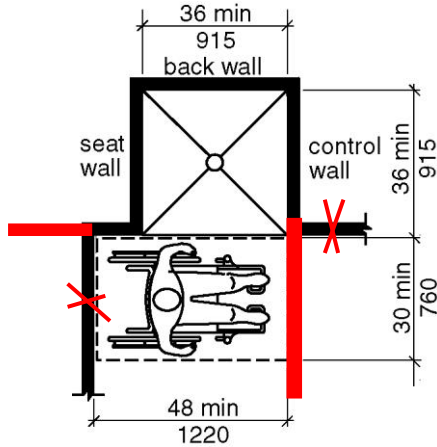
SECTION 1103
TYPE A UNITS



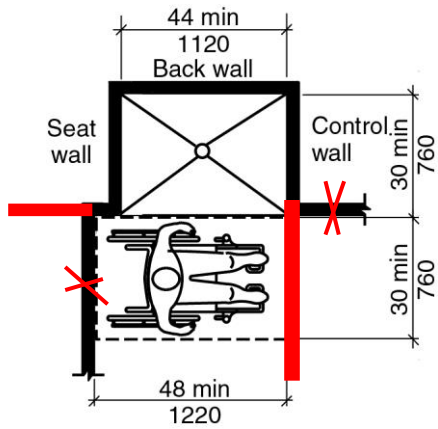
Note: Lavatory permitted per
 Section 608.2.2

FIGURE 1103.11.2.5.2
STANDARD ROLL-IN-TYPE SHOWER COMPARTMENT
TYPE A UNITS

**SECTION 11034
TYPE B UNITS**



**FIGURE 1104.11.3.1.3.3(A)
TRANSFER-TYPE SHOWER COMPARTMENT IN TYPE B UNITS**



**FIGURE 1104.11.3.1.3.3(B)
TRANSFER-TYPE SHOWER COMPARTMENT IN TYPE B UNITS EXCEPTION**

REASON: The current drawings for showers are not consistent and do not show the typical configuration for common plumbing walls. The current bathtub drawings are consistent for common plumbing wall and a forward approach to the clear floor space. This is a suggestion for making them match in Chapter 6 and 11. There are no changes to technical criteria.

Committee Action: AS AM D

Chapter 6-PAARLBERG.doc

| | | |
|------------------------------------|-----------------------------------|----------------------------------|
| Report for 06-76- 2021 | | |
| <i>Committee decision: AS/AM/D</i> | <i>Committee Vote at Meeting:</i> | <i>Committee Vote on Ballot:</i> |
| REPORT OF HEARING: | | |
| Modification (if any): | | |
| Committee Reason: | | |

| | | |
|--|-----------------------------------|----------------------------------|
| Report for 06-76– 2021 | | |
| PUBLIC COMMENT- FIRST DRAFT: | | |
| Proponent: | | |
| Desired Action: | | |
| Modification: | | |
| Reason: | | |
| <i>Committee decision: AS/AM/D</i> | <i>Committee Vote at Meeting:</i> | <i>Committee Vote on Ballot:</i> |
| REPORT OF HEARING – FIRST DRAFT | | |
| Modification (if any): | | |
| Committee Reason: | | |
| PUBLIC COMMENT- SECOND DRAFT: | | |
| Proponent: | | |
| Desired Action: | | |
| Modification: | | |
| Reason: | | |
| <i>Committee decision: AS/AM/D</i> | <i>Committee Vote at Meeting:</i> | <i>Committee Vote on Ballot:</i> |
| FINAL ACTION: | | |
| Modification (if any): | | |
| Committee Reason: | | |

06-77 – 2021

611(New)

Proponent: Amy Carpenter, representing Assisted Toileting and Bathing work group

Add new text as follows:

SECTION 611 **Assisted Toilet and Bathing Rooms**

611.1 General. Individual use bathrooms for assisted toileting and bathing shall comply with Section 611.

611.2 Clearances.

611.2.1 Turning Space. A turning space shall be provided within the room.

611.2.2 Door Swing. Doors shall not swing into the bathroom.

Exception: Where a clear floor space complying with Section 305.3 is provided in the room beyond the arc of the door and emergency rescue door hardware, that allows the door to be swung out of the room, is provided.

611.3 Mirrors. A mirror shall be mounted with the bottom edge of the reflecting surface 40 inches (1015 mm) maximum above the floor.

611.4 Coat Hooks. Coat hooks shall be located within one of the reach ranges specified in Section 308.

611.5 Water Closets. Water closets for assisted toileting shall comply with Section 611.5.

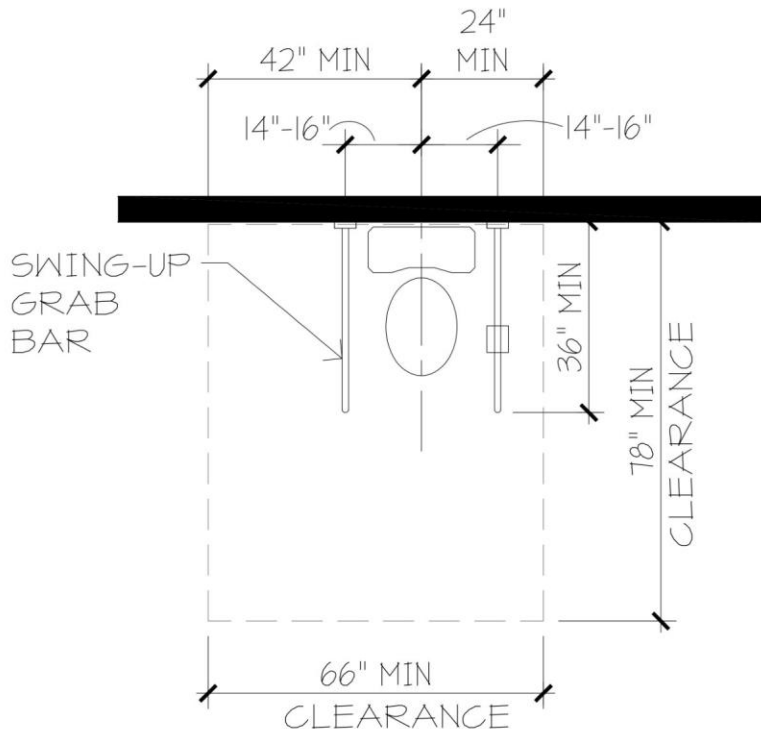


Figure 611.5
Assisted Use Water Closet

611.5.1 Clearance width. Clearance around the water closet shall be 66 inches (1676 mm) minimum. A minimum dimension of 24 inches (609 mm) shall be provided on each side, measured from the centerline of the water closet.

611.5.2 Clearance depth. Clearance around the water closet shall be 78 inches (1981 mm) minimum in depth, measured perpendicular from the rear wall.

611.5.3 Clearance overlap. The required clearance around the water closet shall be permitted to overlap the water closet, associated grab bars, paper dispensers, sanitary napkin receptacles, coat hooks, shelves, accessible routes, clear floor space at other fixtures and the turning space. Towel bars that meet the strength requirements of Section 609.8 shall be permitted to overlap the clearance at the water closet. No other obstructions shall be within the required water closet clearance.

611.5.4 Height. The height of the water closet shall comply with Section 604.4

611.5.5 Grab bars. Grab bars for assisted toileting shall comply with Sections 611.5.5.1 through 611.5.5.6

611.5.5.1 Swing up grab bars shall be provided at both sides of the water closet.

611.5.5.2 Swing up grab bars shall be located 14 to 16 inches (355 to 406 mm) from the centerline of the water closet.

611.5.5.3 Swing up grab bars shall extend a minimum of 36 inches (915 mm), measured perpendicular from the rear wall to the furthest projection of the bar.

611.5.5.4 The height of the Swing up grab bar, when in the down position, shall be 30 inches (760 mm) minimum and 34 inches (865 mm) maximum measured from the floor to the topmost portion of the bar.

611.5.5.5 Swing up grab bars shall meet structural strength requirements per Section 609.8.

Exception: Swing up bars are not required to resist required forces when being moved upward to the vertical position.

611.5.5.6 A floor-mounted support post, complying with Section 611.5.6 shall be permitted as an alternate to mounting swing up grab bars directly to a reinforced wall behind the toilet.

611.5.6 Floor-mounted support post. A floor-mounted support post, used as an alternate means of support for swing up grab bars shall be designed to meet the structural strength requirements of Section 609.8 and shall be permitted to be located within the clearance around the water closet provided it meets all of the following:

1. The floor plate and post shall not extend more than 10 inches (254 mm) in depth measured perpendicular to the back wall,
2. The floor plate and post shall not extend more than 5 inches (127 mm) in width, measured from the centerline of the grab bar to either side,
3. The post location shall not block access to the flush controls, and
4. The floor plate and post shall not overlap any other required clearances or turning space.

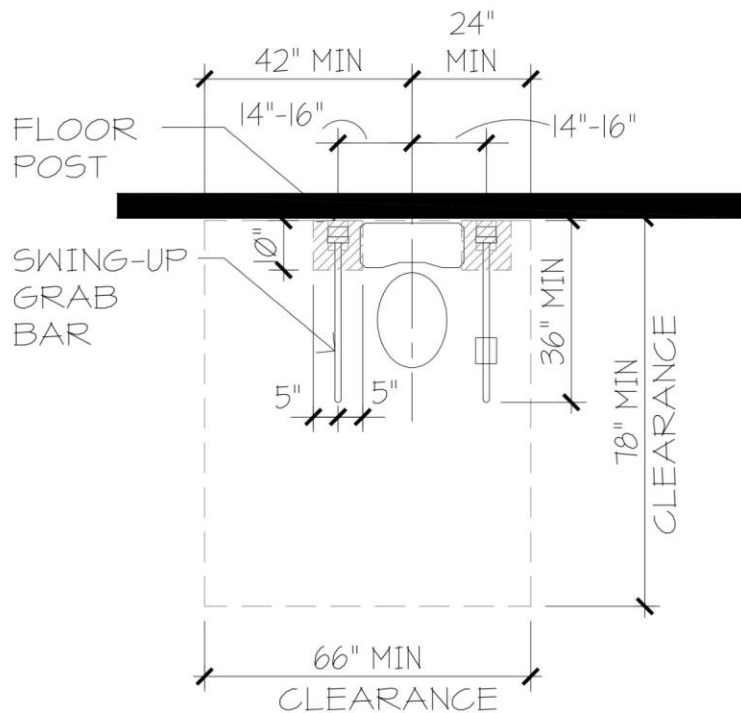


Figure 611.5.6
Assisted use water closet
Floor-mounted support post

611.5.7 Flush Controls. Flush controls shall comply with Section 604.6

611.5.8 Dispensers. Toilet paper dispensers shall be mounted on at least one of the swing up grab bars and shall be located at 24 inches (610 mm) minimum to 36 inches (915 mm) maximum measured perpendicular to the rear wall. Dispensers shall not be of a type that control delivery or do not allow continuous paper flow.

611.6 Lavatories and Sinks. Where a lavatory or sink is provided inside the room used for assisted toileting and bathing, it shall comply with Section 606.

611.7 Showers. Roll-in showers for assisted bathing shall comply with Section 611.7.

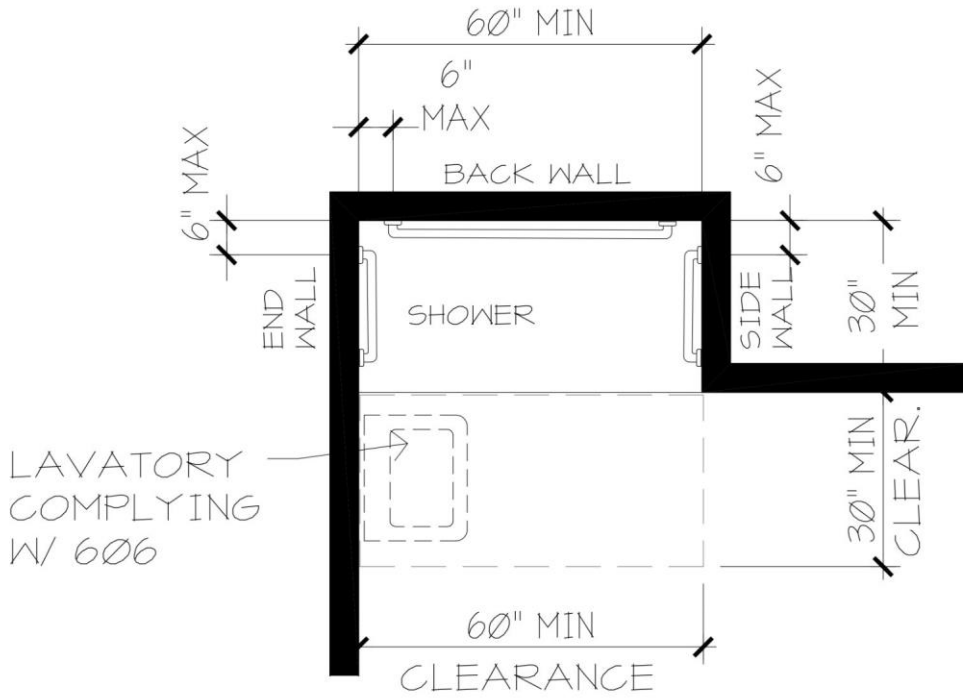


Figure 611.7(A)
Roll-in showers for assisted bathing
Option 1

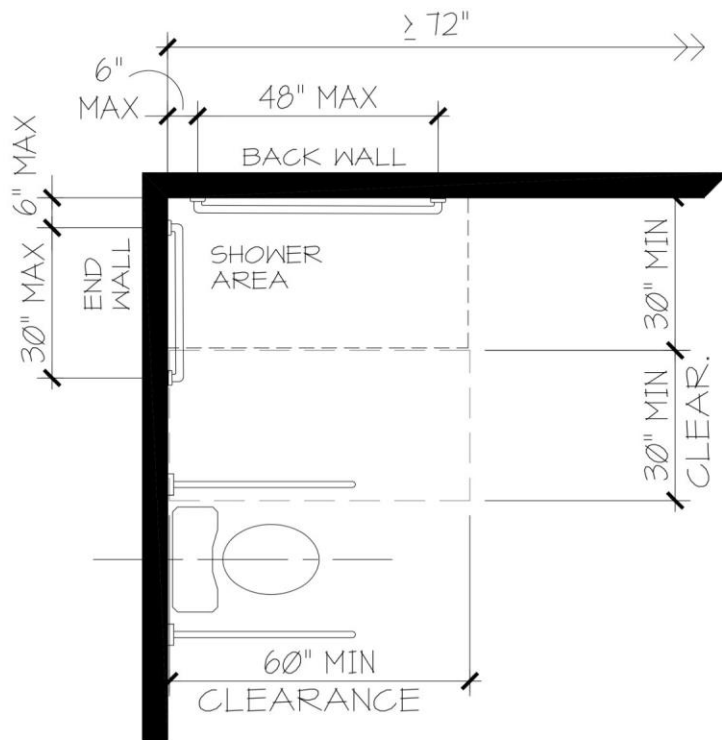


Figure 611.7(B)
Roll-in showers for assisted bathing
Option 2

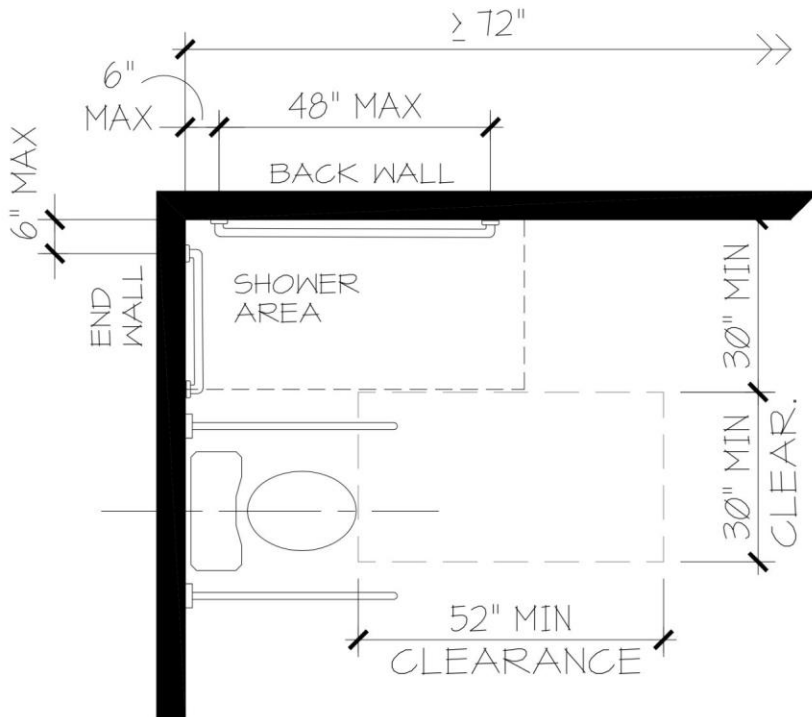


Figure 611.7(C)
Roll-in showers for assisted bathing
Option 3

611.7.1 Size. A roll-in shower area for assisted bathing shall have a clear inside dimension of 60 inches (1525 mm) minimum in length and 30 inches (760 mm) minimum in depth, measured at the center point of opposing sides.

611.7.2 Clearance. A clearance of 60 inches (1525 mm) minimum in length adjacent to the long side of the shower area, and 30 inches (760 mm) minimum in depth, shall be provided.

Exceptions:

1. A lavatory complying with Section 606 shall be permitted at one end of the clearance
2. Where the shower area exceeds minimum sizes, the clear floor space shall be placed 30 inches (760 mm) minimum from the back wall and the length shall be parallel to the back wall.

611.7.3 Seat. A fixed folding or non-folding wall-mounted seat is not permitted.

611.7.4 Grab bars. Grab bars shall comply with Section 609 and shall be provided in accordance with Section 611.7.4.1

611.7.4.1 Horizontal grab bars in roll-in showers for assisted bathing shall be provided on the back wall, end wall and side wall. Grab bars shall extend within 6 inches (150 mm) maximum from adjacent walls.

Exceptions:

1. The back-wall grab bar shall not be required to exceed 48 inches (1220 mm) in length.
2. End-wall and side-wall grab bars shall not be required to exceed 30 inches (760 mm) in length.
3. If the back-wall length is 72 inches (1830 mm) or greater, a side-wall grab bar is not required.

611.7.5 Controls. On/off and temperature adjustment controls for roll-in showers for assisted bathing shall comply with Section 309.4 and shall comply with all of the following:

1. Installed at a height of 38 inches (965 mm) minimum and 48 inches (1220 mm) maximum above the shower floor,
2. Located either on the end wall or side wall, 18 inches (455 mm) minimum and 48 inches (1220 mm) maximum from the back wall, and
3. Located to allow access by a caregiver and minimize reaching through the water stream

Exception: Where the back wall length is 72 inches (1830 mm) or greater, controls are permitted to be located on the back wall at a height of 38 inches (965 mm) minimum and 48 inches (1220 mm) maximum above the shower floor and 27 inches (685 mm) minimum and 60 inches (1525 mm) maximum from the end wall.

611.7.6 Hand Showers. At least one hand shower complying with Section 309.4, Section 608.5 and Section 611.7.6 shall be provided in roll-in showers for assisted bathing. The hand shower shall be located:

1. At a height of 38 inches (965 mm) minimum and 48 inches (1220 mm) maximum above the shower floor, and
2. On the end wall, back wall or side wall within the shower area.

611.7.7 Thresholds. Thresholds in roll-in showers for assisted bathing shall comply with Section 608.6

611.7.8 Shower enclosures. Shower area enclosures shall not obstruct access to controls or hand shower from outside the shower area. Floor mounted enclosures shall maintain a minimum clear opening width of 41.5 inches (1054 mm) with no added threshold.

611.7.9 Water Temperature shall comply with Section 608.8.

REASON: This proposed new section is meant to provide an alternative compliance path for a percentage of the fully accessible units that are required in Nursing Homes and Assisted Living

residences. These changes are specifically aimed at addressing the needs of older adults who live in care settings (receiving custodial care and/or medical care). It is our intent that Owners/Operators of these care settings can choose have some units comply with these alternatives in lieu of complying with traditional accessible unit requirements. A rehabilitation facility that serves primarily younger people, with spinal cord injuries, would likely not choose to have any units meet this alternate standard. However, many nursing homes serving elders, where the average age of resident is usually around 88 – 90 years old, would likely choose to have as many units as possible meet this alternate standard.

The 2021 International Building Code, Chapter 11 introduced these measures into the code as the deadline for inclusion in the last edition of the Standard had passed. We are hoping to include this language in the Standard this cycle and remove the language from IBC Chapter 11. The ICC A117.1 committee approved a work group to develop criteria for assisted toileting and bathing. Meetings were held every two weeks and were open to the public. In addition to the members of the task group, there was participation by a variety of interested parties. The language contained within this proposal was developed and reviewed by the work group and a consensus was reached.

The language contained in this proposal is based on research sponsored by the Mayer-Rothschild Foundation as well as direct experience and feedback from caregivers and gerontologists, along with the input of the task group. The intent of the language is to be flexible to cover the needs of elders as they decline in ability over time and gradually need more support and caregiver assistance in all activities of daily living. While they may be able to independently shower or transfer to the toilet when they first move in to a care community, their needs do increase over time. Many do become completely dependent on assistance by one or more caregivers. The proposal seeks to strike a balance between the accessibility needs of both the elder resident as well as the needs of the care staff.

It was decided to place all requirements around assisted bathing and toileting into a distinct section to aid with use of the Standard and keep all requirements together. If the Committee would prefer to disperse the requirements into Section 604 and 608, we would be OK with that change.

Assisted toileting:

Current existing accessibility provisions contained in the standard do not adequately the needs of older adults as they lose upper body strength and mobility. They simply do not have the strength to use wall-mounted grab bars at toilets to accomplish a transfer. Additionally, many have balance issues that require additional support on both sides of the toilet. Further, most residents in care settings, although they may use wheelchairs for mobility, still have some use of their legs and most can bear weight on one or both legs. Therefore, the requirements meant to address the needs fully paralyzed or quadriplegic persons is not necessarily beneficial to elders.

A search of CMS data shows only 1% of residents in nursing homes, nationwide, have a diagnosis of quadriplegia or paraplegia. With a minimum of 50% of nursing home resident rooms being required to meet current standards, an average of 49% of these rooms are simply not working well for the residents who live there. Falls in bathrooms are one of the largest risks of injury and death in nursing homes.

Research sponsored by the Mayer-Rothschild foundation studied how elders in care settings transfer on and off the toilet, both independently and with staff assistance. The dimensions and clearances contained in this proposal are all based on these recommendations. Most important is the additional space provided on both sides of the toilet over the traditional 18 inches contained

in the Standard. This added space is critical for allowing care staff to stand alongside the toilet to assist with sitting and standing without injuring themselves. This additional clearance around the toilet also makes maneuvering of various lift devices easier, along with giving residents using mobility devices more space to maneuver.

The inclusion of a floor mounted support post to attach the swing-up grab bars to was considered to be an important component for both new and existing construction. The Rothschild study calls for the grab bar to extend 6-9" beyond the front edge of the toilet. With most elongated bowl toilets extending approximately 30 inches from the back wall, this requires a minimum length swing-up bar at 36", which is difficult to find on the market today. This also brought up concerns about structural stability of wall blocking and proper connections. One of the task group alerted the group to the support posts that are currently available on the market. Benefits of the support post include the ability to use standard, shorter swing-up bars to still achieve the desired distance in front of the toilet, better structural stability, and the ability of users to better customize the height of the mounting to their specific needs. (people do shrink as they age)

Research and practical experience showed the task group that very few lifetime wheelchair users complete a side-slide transfer with the wheelchair completely parallel to the toilet and the back wheels all the way back to the rear wall. The majority of wheelchair users angle towards the toilet, using the space in front and to the side of the toilet. With elders who can bear weight and stand to transfer, the space adjacent to the toilet along the rear wall is rarely accessed or needed. In addition, the toilet tank or space for the flush valve assembly push the "seat" of the toilet out a certain distance from the wall. It was felt that a floor mounted post and associated mounting plate could overlap the clearance around the toilet by a small amount, provided that the flush controls were still easily accessed.

Assisted Bathing:

Many residents in Assisted Living and Nursing Home care settings are assisted, to varying levels, with their bathing activities as they may not be able to safely accomplish this on their own. Traditionally, roll-in-type showers have been used in care settings because of the ease of access they provide (low/no threshold). However, there are some requirements in the current Standard that can make it more difficult for care staff to assist with bathing.

For example, a wall mounted seat can be difficult for an elder to transfer on and off and many are fearful of falling off. Additionally, with the seat against the side wall and back wall, it is difficult, if not impossible for a caregiver to adequately access and wash all parts of a resident. For this reason, wall mounted seats are typically folded up and a mobile shower chair or stool is brought in. However, the folded seat still takes up space, and there are sharp edges and protrusions that can tear delicate elder skin or cause other injuries to the resident or caregiver. Mobile shower chairs are also better as they have arms that provide support and balance assistance for residents when standing/sitting and while seated. Caregivers can either turn the resident's chair while bathing, or walk around the person in the chair to be able to reach and wash all areas.

Similarly, the location of the controls on the back wall of a standard roll-in shower makes it more difficult for a caregiver to access them to turn the water on/off as well as to adjust the temperature during a shower. They either need to reach across the resident being bathed, which is awkward, or often need to reach through the water stream, which gets them wet. Some people might think it's not a big deal for the caregiver to get wet, and that should be expected as part of their job. However, what everyone needs to remember is that in care settings such as Assisted

Living and Nursing communities, the caregiver may have to bathe up to eight residents per shift. If they need to go change out of wet clothes after each shower, that takes them away from their duties and away from the residents they need to serve. It just isn't practical.

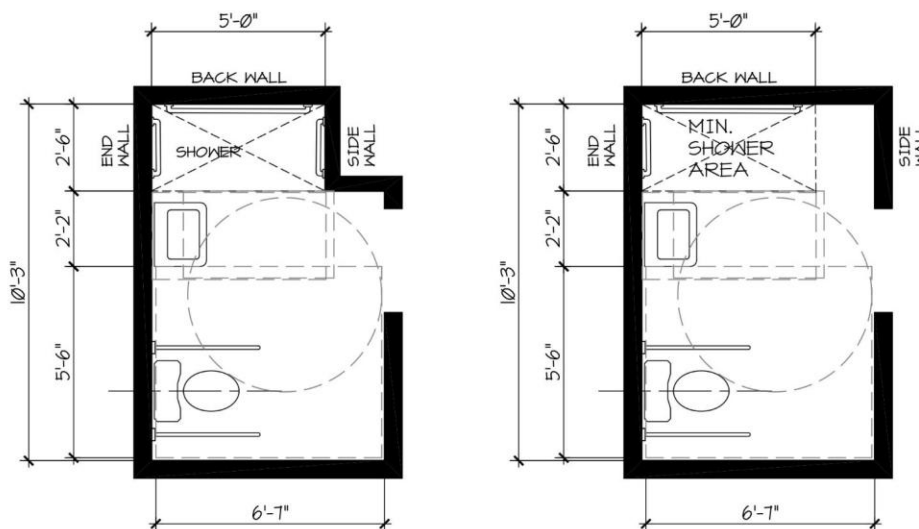
The language proposed removes the requirement for a permanent seat, in favor of allowing for the community to determine what is the best type of bench or chair to meet the resident's needs. It also allows for the controls that regulate on/off and temperature to be located such that they can be reached from outside the shower area, but also could be reached by a resident from inside the shower, should they be able to be more independent. The dimensions for the location of controls are meant to assume that a shower chair might be placed towards one corner of the shower and the areas behind that chair location would not be reachable. It also prohibits controls on the back wall of the shower in a typical 3-wall shower compartment.

The shower size and clearance language is meant to recognize that showers that often work best for assisted bathing are not simply the standard size, but sometimes larger, more open configurations work better. Larger, open showers also work better for care recipients that must be bathed in a semi or fully-reclined position. Sometimes the showers only have two walls or the entire bathroom is designed as a wet room and the designated shower "area" is in one corner. This is often called a "European shower".

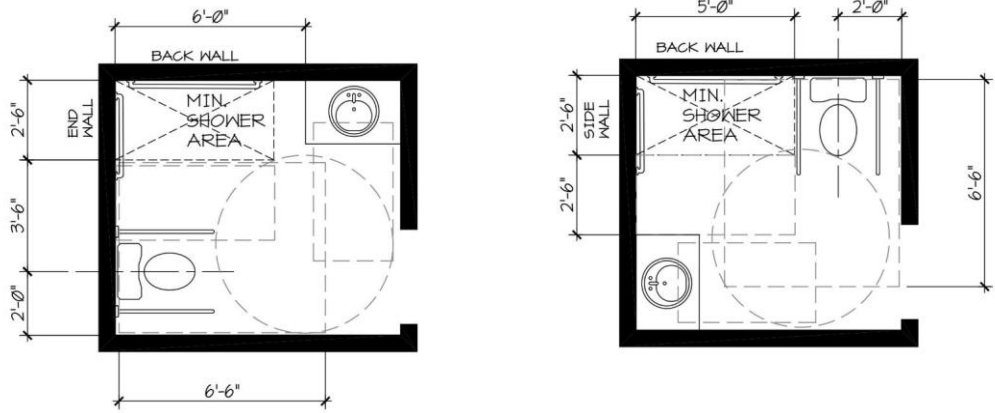
We maintained the language for clearance needed to access the shower area as well as the allowance for a lavatory to overlap the clearance similar to standard roll-in-type showers.

The grab bar language is similar to the standard roll-in-type shower, but with an additional bar where the seat would normally be. We chose to be intentionally silent on providing a vertical grab bar, as we felt that the location of a vertical bar would be highly dependent on the access point to the shower and location of the controls. In addition, if a resident has assistance in bathing, the vertical grab bar is not as needed for getting in and out of the shower enclosure. There is nothing prohibiting a vertical grab bar from being added.

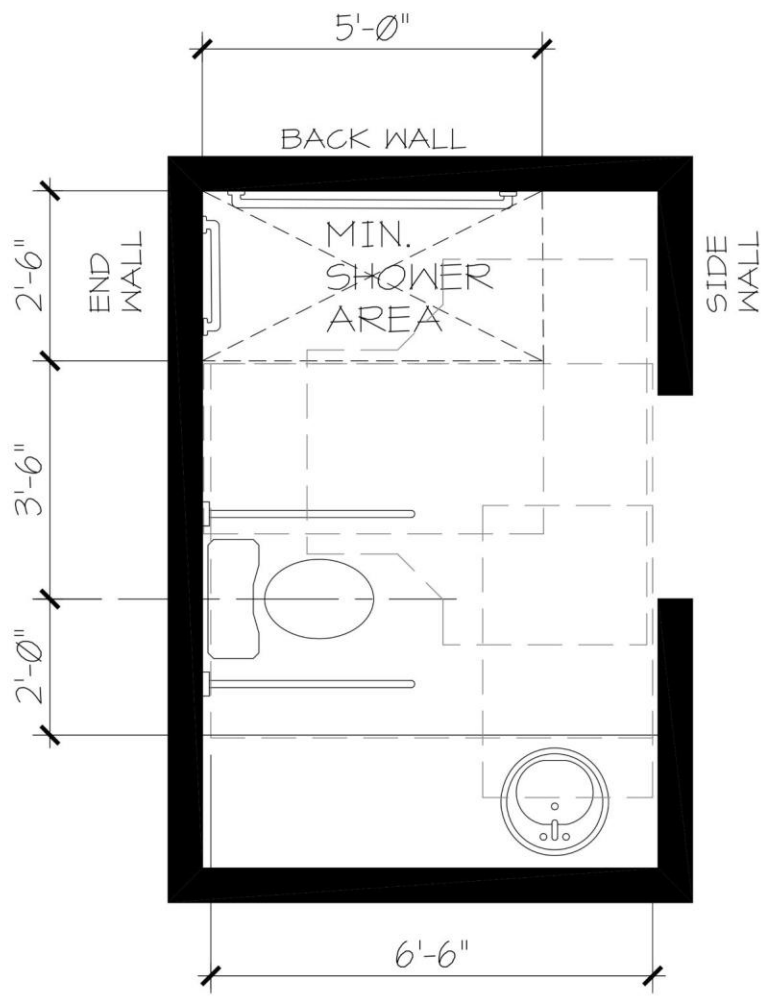
Example layouts:



Sample bathroom layout A & B



Sample Bathroom layout C & D



Sample bathroom layout E

Committee Action: AS AM D

611 NEW-CARPENTER.doc

| | | |
|-------------------------------|----------------------------|---------------------------|
| Report for 06-77- 2021 | | |
| Committee decision: AS/AM/D | Committee Vote at Meeting: | Committee Vote on Ballot: |

| | | |
|--|-----------------------------------|----------------------------------|
| Report for 06-77- 2021 | | |
| REPORT OF HEARING: | | |
| Modification (if any): | | |
| Committee Reason: | | |
| PUBLIC COMMENT- FIRST DRAFT: | | |
| Proponent: | | |
| Desired Action: | | |
| Modification: | | |
| Reason: | | |
| <i>Committee decision: AS/AM/D</i> | <i>Committee Vote at Meeting:</i> | <i>Committee Vote on Ballot:</i> |
| REPORT OF HEARING – FIRST DRAFT | | |
| Modification (if any): | | |
| Committee Reason: | | |
| PUBLIC COMMENT- SECOND DRAFT: | | |
| Proponent: | | |
| Desired Action: | | |
| Modification: | | |
| Reason: | | |
| <i>Committee decision: AS/AM/D</i> | <i>Committee Vote at Meeting:</i> | <i>Committee Vote on Ballot:</i> |
| FINAL ACTION: | | |
| Modification (if any): | | |
| Committee Reason: | | |

06-78 – 2021
611.2

Proponent: Tami Kump, Knothe Bruce Architects, LLC

Revise as follows:

SECTION 611
WASHING MACHINES AND CLOTHES DRYERS

611.2 Clear floor space. A clear floor space positioned for parallel approach shall be provided. For top loading machines, the clear floor space shall be centered on the appliance. For front loading machines, the centerline of the clear floor space shall be offset 24 inches (610 mm) maximum from the centerline of the door opening.

Where only one washer and one dryer are provided in a side-by-side configuration, the appliance doors in the open position shall not obstruct the clear floor space for the adjacent appliance.

REASON: When a washer and a dryer are separate pieces of equipment, the clear floor space requirements are for the individual machines, but, when it comes to functionality, a washer and dryer are more typically used as a unit. When thinking about how they function together, it becomes clear on how an open door(s) that falls between the two machines could make a daily task unnecessarily difficult for a person with restricted mobility.

When an appliance door opens toward the adjacent machine (which would overlap the CFS when open), one must first position themselves in front of that machine to gain the proper leverage to open the door, then they must maneuver back into a position that allows for the transfer of laundry from one machine to the other. The need to lift heavy, wet clothing over an open door(s) that overlaps the clear floor space may be cumbersome and difficult while also maintaining a position for the required leverage it takes to get the clothing into the front-loading dryer. The door would also be an obstruction if one dropped a piece of clothing and had to pick it up.

The requirement I am proposing would be especially important when the doors to the machines do not open 180 degrees. Most machines manufactured today come from the factory with the dryer door hinge on the right side of the machine but have the capability to reverse the swing of the doors. This seems like an easy requirement to meet, or at least gets the designer to think about the adjacency of the washer and dryer relative to how the machines are used.

Committee Action: AS AM D

611.2-KUMP.doc

| | | |
|-------------------------------------|-----------------------------------|----------------------------------|
| Report for 06-78– 2021 | | |
| <i>Committee decision: AS/AM/D</i> | <i>Committee Vote at Meeting:</i> | <i>Committee Vote on Ballot:</i> |
| REPORT OF HEARING: | | |
| Modification (if any): | | |
| Committee Reason: | | |
| PUBLIC COMMENT- FIRST DRAFT: | | |
| Proponent: | | |

| | | |
|--|-----------------------------------|----------------------------------|
| Report for 06-78- 2021 | | |
| Desired Action: | | |
| Modification: | | |
| Reason: | | |
| <i>Committee decision: AS/AM/D</i> | <i>Committee Vote at Meeting:</i> | <i>Committee Vote on Ballot:</i> |
| REPORT OF HEARING – FIRST DRAFT | | |
| Modification (if any): | | |
| Committee Reason: | | |
| PUBLIC COMMENT- SECOND DRAFT: | | |
| Proponent: | | |
| Desired Action: | | |
| Modification: | | |
| Reason: | | |
| <i>Committee decision: AS/AM/D</i> | <i>Committee Vote at Meeting:</i> | <i>Committee Vote on Ballot:</i> |
| FINAL ACTION: | | |
| Modification (if any): | | |
| Committee Reason: | | |

06-79 – 2021

611.3, 611.4

Proponent: Kimberly Paarlberg, International Code Council

Revise as follows:

SECTION 611 WASHING MACHINES AND CLOTHES DRYERS

611.1 General. Washing machines and clothes dryers shall comply with Section 611.

611.2 Clear floor space. A clear floor space positioned for parallel approach shall be provided. For top loading machines, the clear floor space shall be centered on the appliance. For front loading machines, the centerline of the clear floor space shall be offset 24 inches (610 mm) maximum from the centerline of the door opening.

611.3 Operable parts. Operable parts, including doors, lint screens, detergent and bleach compartments, shall comply with Sections 308 and 309.

Exception Exceptions:

1. The height of the obstruction in Section 308.3.2 shall be permitted to be 36 inches (915 mm) maximum above the floor.
2. The operable part of the door shall be permitted to be 54 inches (1372 mm) maximum above the floor.

611.4 Height. Top loading machines shall have the door to the laundry compartment 36 inches (915 mm) maximum above the floor. ~~Front loading machines shall have the bottom of the opening to the laundry compartment 15 inches (380 mm) minimum and 36 inches (915 mm) maximum above the floor.~~

REASON: There are many stackable machines that save space and offer improved access with center controls. Previously the stackables had separate controls, instead of the new center control, so the controls were not within reach range. Options are now available with the controls within reach, but the dryer compartment is above 36 inches. This intent of this proposal is to increase design options within dwelling units. Setting the control for the door at 54" which is typically the center, would set the bottom of the door below that. Below are examples I found at the local home improvement store. The controls in the center seemed to provide better access than a top loading machine. These are models from LG, Equator and Whirlpool.



Committee Action:

AS

AM

D

611.4-PAARLBERG.doc

| | | |
|--|-----------------------------------|----------------------------------|
| Report for 06-79- 2021 | | |
| <i>Committee decision: AS/AM/D</i> | <i>Committee Vote at Meeting:</i> | <i>Committee Vote on Ballot:</i> |
| REPORT OF HEARING: | | |
| Modification (if any): | | |
| Committee Reason: | | |
| PUBLIC COMMENT- FIRST DRAFT: | | |
| Proponent: | | |
| Desired Action: | | |
| Modification: | | |
| Reason: | | |
| <i>Committee decision: AS/AM/D</i> | <i>Committee Vote at Meeting:</i> | <i>Committee Vote on Ballot:</i> |
| REPORT OF HEARING – FIRST DRAFT | | |
| Modification (if any): | | |
| Committee Reason: | | |
| PUBLIC COMMENT- SECOND DRAFT: | | |
| Proponent: | | |
| Desired Action: | | |
| Modification: | | |
| Reason: | | |
| <i>Committee decision: AS/AM/D</i> | <i>Committee Vote at Meeting:</i> | <i>Committee Vote on Ballot:</i> |
| FINAL ACTION: | | |
| Modification (if any): | | |
| Committee Reason: | | |

06-80 – 2021

611.4

Proponent: Marsha Mazz, United Spinal Association

Revise as follows:

SECTION 611 WASHING MACHINES AND CLOTHES DRYERS

611.4 Height. Top loading machines shall not be permitted ~~have the door to the laundry compartment 36 inches (915 mm) maximum above the floor.~~ Front loading machines shall have the bottom of the opening to the laundry compartment 15 inches (380 mm) minimum and 36 inches (915 mm) maximum above the floor.

REASON: We find that top loading machines are not very usable by individuals seated in wheelchairs. To reach items in the tub, they must use an auxiliary aid such as a reaching tool or “grabber” but, often, they cannot see the target at the bottom of the tub. Also, people with disabilities affecting their manual dexterity often cannot use these tools because their trigger style operators typically require tight grasping and one must rotate their wrist to pick-up an item – see <https://www.seniormatter.com/review-the-best-grabber-reacher/2491052> for examples of this equipment or search for “reaching tool”. One model which is approximate ten times the typical cost of other models allows for the device to be attached to the arm – see https://www.rehab-store.com/p-quad-reacher.html?gclid=CjwKCAjw6fCCBhBNEiwAem5SO5cqXAZRmP46fUgQo7j0na4DvC-gOyD-KY8d54h2MuDPDSqgZONZBBoCthEQAvD_BwE.

Committee Action: AS AM D

611.4-MAZZ.doc

| | | |
|--|-----------------------------------|----------------------------------|
| Report for 06-80– 2021 | | |
| <i>Committee decision: AS/AM/D</i> | <i>Committee Vote at Meeting:</i> | <i>Committee Vote on Ballot:</i> |
| REPORT OF HEARING: | | |
| Modification (if any): | | |
| Committee Reason: | | |
| PUBLIC COMMENT- FIRST DRAFT: | | |
| Proponent: | | |
| Desired Action: | | |
| Modification: | | |
| Reason: | | |
| <i>Committee decision: AS/AM/D</i> | <i>Committee Vote at Meeting:</i> | <i>Committee Vote on Ballot:</i> |
| REPORT OF HEARING – FIRST DRAFT | | |
| Modification (if any): | | |
| Committee Reason: | | |
| PUBLIC COMMENT- SECOND DRAFT: | | |
| Proponent: | | |
| Desired Action: | | |
| Modification: | | |
| Reason: | | |
| <i>Committee decision: AS/AM/D</i> | <i>Committee Vote at Meeting:</i> | <i>Committee Vote on Ballot:</i> |
| FINAL ACTION: | | |
| Modification (if any): | | |
| Committee Reason: | | |

06-81 – 2021
612.2

Proponent: Marsha Mazz, United Spinal Association

Revise as follows:

SECTION 612
SAUNA AND STEAM ROOMS

612.2 Bench. Where seating is provided in saunas and steam rooms, at least one bench shall comply with section 903. Doors shall not swing into the clear floor space located adjacent to the bench and required by Section 903.2.

REASON: For whatever reason, readers often fail to connect the clear floor space referenced by this section to the space provided at the bench for transfer onto the bench. While this proposal likely will be ruled Editorial, we hope that the committee will consider this change for the sake of clarity.

Committee Action: AS AM D

612.2-MAZZ.doc

| | | |
|--|-----------------------------------|----------------------------------|
| Report for 06-81– 2021 | | |
| <i>Committee decision: AS/AM/D</i> | <i>Committee Vote at Meeting:</i> | <i>Committee Vote on Ballot:</i> |
| REPORT OF HEARING: | | |
| Modification (if any): | | |
| Committee Reason: | | |
| PUBLIC COMMENT- FIRST DRAFT: | | |
| Proponent: | | |
| Desired Action: | | |
| Modification: | | |
| Reason: | | |
| <i>Committee decision: AS/AM/D</i> | <i>Committee Vote at Meeting:</i> | <i>Committee Vote on Ballot:</i> |
| REPORT OF HEARING – FIRST DRAFT | | |
| Modification (if any): | | |
| Committee Reason: | | |
| PUBLIC COMMENT- SECOND DRAFT: | | |
| Proponent: | | |
| Desired Action: | | |
| Modification: | | |
| Reason: | | |
| <i>Committee decision: AS/AM/D</i> | <i>Committee Vote at Meeting:</i> | <i>Committee Vote on Ballot:</i> |
| FINAL ACTION: | | |
| Modification (if any): | | |
| Committee Reason: | | |

06-82 – 2021

613(New)

Proponent: Marsha Mazz, United Spinal Association

Add new text as follows:

SECTION 613 **PET WASH STATION**

613.1 Pet wash stations. Where provided for pet washing and grooming, sinks and tubs shall comply with Section 613.

613.1 Sinks. Sinks shall comply with Section 606.

613.2 Grooming Tubs. Grooming tubs shall provide clear floor space positioned for a forward or parallel approach complying with Section 305.

613.3 Operable parts. Operable parts of sinks, tubs, and at least one of each type of associated accessories shall comply with Sections 308 and 309.

EXCEPTION: Drain stoppers and debris filters shall not be required to comply with Section 613.3.

REASON: Pet washing stations have become ubiquitous in modern condo and apartment buildings as well as in community centers. Where applicable, the Design and Construction Requirements of the Federal Fair Housing Amendments Act require “common use” spaces to be accessible to individuals with disabilities (24 CFR part 100.205(c)(1)). Without measurable standards, pet wash stations will always be a point of contention and the level of accessibility required by enforcement officials and expected by potential litigants will vary widely.

Our proposed accessibility criteria are simple. By requiring operable parts to be accessible, we believe that the height of the tub wall will be controlled by the requirements for a reach over an obstruction. We have exempted those items that would normally be on the floor of the tub such as drain stoppers and filters for hair and other debris. Where accessories such as shampoo dispensers, hair dryers, and hooks for leashes are provided, we have asked for only one of each type to be accessible. We have carefully research product literature to ensure that multiple manufacturers provide compliant products.

Links to some product literature:

- <https://www.groomersbest.com/product-category/bathing-tubs/ada-compliant/>
- <https://www.dog-on-it-parks.com/ada-elite-pet-wash-station.html>
- https://www.directanimal.com/product/grooming/grooming-tubs/?utm_source=mv&utm_medium=paid&utm_campaign=intent&gclid=Cj0KCQjwjPaCBhDkARIsAISZN7S3QaIYngbxU4XhrGyXmoTkQscW2DaVNTcd13LxfiqCtQy8kb7A25QaAh0SEALw_wcB

Committee Action: AS AM D

613.1(NEW)-MAZZ.doc

Report for 06-82– 2021

| | | |
|--|-----------------------------------|----------------------------------|
| Committee decision: AS/AM/D | Committee Vote at Meeting: | Committee Vote on Ballot: |
| REPORT OF HEARING: | | |
| Modification (if any): | | |
| Committee Reason: | | |
| PUBLIC COMMENT- FIRST DRAFT: | | |
| Proponent: | | |
| Desired Action: | | |
| Modification: | | |
| Reason: | | |
| Committee decision: AS/AM/D | Committee Vote at Meeting: | Committee Vote on Ballot: |
| REPORT OF HEARING – FIRST DRAFT | | |
| Modification (if any): | | |
| Committee Reason: | | |
| PUBLIC COMMENT- SECOND DRAFT: | | |
| Proponent: | | |
| Desired Action: | | |
| Modification: | | |
| Reason: | | |
| Committee decision: AS/AM/D | Committee Vote at Meeting: | Committee Vote on Ballot: |
| FINAL ACTION: | | |
| Modification (if any): | | |
| Committee Reason: | | |

06-83 – 2021

106.2.2(New), 106.2.4(New), 106.2.5(New), 613(New)

Proponent: Laurel Wright, representing the Adult Changing Facilities work group

Add new text as follows:

106.2.2 Assistive products for personal hygiene (APPH) that support users – Requirements and test methods. ISO/FDIS 17966: 2016(E) (International Organization for Standardization, Chemin de Blandonnet 8, CP 401, 1214 Vernier, Geneva, Switzerland)

106.2.4 MEDICAL ELECTRICAL EQUIPMENT - PART 1: GENERAL REQUIREMENTS FOR BASIC SAFETY AND ESSENTIAL PERFORMANCE – IEC 60601-1: 3.2 edition August 2020: International Electrotechnical Commission (IEC) 3 rue de Varembe, PO Box 131, CH-1211 Geneva, Switzerland.

106.2.5 Medical electrical equipment - Part 1-2: General requirements for basic safety and essential performance - Collateral Standard: Electromagnetic disturbances - Requirements and tests: 2014 + ADM1: 2020 CVS: International Electrotechnical Commission (IEC) 3 rue de Varembe, PO Box 131, CH-1211 Geneva, Switzerland.

SECTION 613 **ADULT CHANGING STATIONS**

613.1 General. Adult changing stations shall comply with Section 613.2 through 613.4.

613.2 Safety and performance. Adult changing stations shall comply with the following standards:

1. ISO 17966 Sections: 5 Materials; 7 Electromagnetic compatibility; 8 Electrical safety; 11 Safety of moving and folding parts; 11.2 Prevention of traps for parts of human body; 16 Static strength, impact, durability; 17 Stability.
2. IEC 60601-1 Medical electrical equipment – Part 1: General requirements for basic safety and essential performance.
3. IEC 60601-1-2 Collateral Standard: Electromagnetic disturbances.

613.3 Changing surface. A changing surface shall be provided and shall comply with Section 613.3.

613.3.1 Size. The changing surface shall be 70 inches (1778mm) minimum in length and 30 inches (762mm) minimum in width.

613.3.2 Clearances. Clearances complying with Sections 613.3.2.1 and 613.3.2.2 shall be provided adjacent to the changing surface, measured when the surface is in the operational position.

613.3.2.1 Side clearance. A 36 inch (914mm) deep minimum clearance shall be provided along the length of one long side of the changing surface and shall extend 36 inches (914mm) minimum past the surface on at least one end.

613.3.2.2 End clearance. A 36 inch (914mm) deep minimum clearance shall be provided on at least one end of the changing surface and shall extend the width of the changing surface.

Exception: A 24 inch (610 mm) deep minimum clearance shall be permitted on at least one end of the changing surface where a clear floor space complying with Section 305.3 is provided within the room outside the clearances for the changing surface.

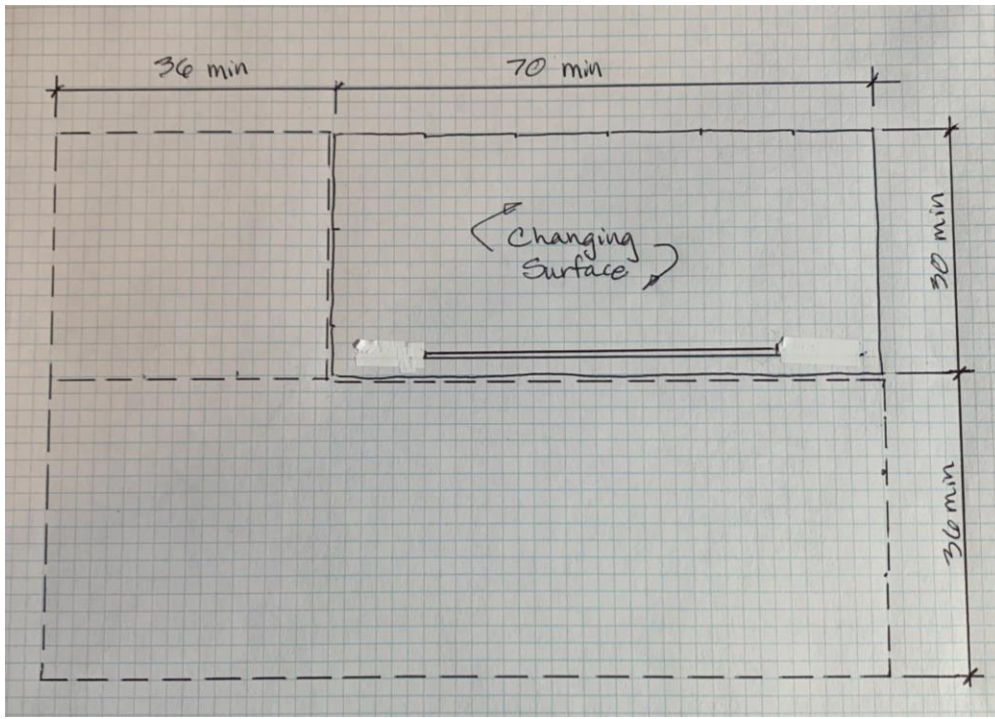


Figure 613.3.2
Changing surface and clearances

613.3.3 Height adjustability. The changing surface height shall be continuously adjustable from 17 inches (432mm) minimum to 38 inches (965mm) maximum above the floor as measured to the top of the changing surface.

Exception: Where approved by the authority having jurisdiction, a fixed height changing surface shall be permitted and shall be mounted with the top of the changing surface 17 inches (432mm) minimum and 19 inches (483mm) maximum above the floor.

613.3.3.1 Operation. Operable controls for height adjustment and, where provided, on and off shall comply with Section 309.4.

613.3.4 Capacity. Allowable stresses for materials, fastening mounting devices, and support structure shall support a downward force of not less than 350 lbs. (159 kg) applied to any point on the changing surface.

613.3.5 Changing surface. The changing surface shall be comprised of non-porous and durable materials.

613.3.6 Side rail. Side rails shall be provided at the changing surface in accordance with Sections 613.3.6.1 and 613.3.6.2.

613.3.6.1 Size and location. Side rails shall be a minimum of 2/3 of the length of the changing surface and shall be centered +/- 1 inch (25mm) along the long open sides of the changing surface.

Exception. A side rail shall not be required on the long side opposite the side clearance required by Section 613.3.2.1, provided that side abuts a wall or is otherwise protected.

613.3.6.2 Rail positioning. Side rails shall be capable of being raised and lowered and, when in the raised position, shall lock in place. The top of the side rail shall extend 5 inches (127mm) minimum above the top of the changing surface. When in the lowered position, the rail shall not obstruct transfer to or from the changing surface.

613.4 Installation location. Where provided, adult changing stations shall be installed in accordance with the locations specified in Section 613.4.1, 613.4.2 or 613.4.3.

Exception: Where installed in locations specified in Section 613.4.3, side and end clearances compliance with Section 613.3.2 are not required.

613.4.1. Single user or family or assisted use toilet or bathing room. Where adult changing stations are provided in a toilet room with only one water closet and one lavatory, or in a family or assisted-use toilet or bathing room, the room shall provide all of the following components:

1. A dispenser for soap complying with Section 308.
2. A hand towel dispenser or hand dryer complying with Table 603.6.
3. A coat hook located in close proximity to the changing surface.
4. A waste receptacle.
5. Signage indicating “Adult Changing Station” provided at the entrance to the room and complying with the visual character requirements in Section 703.2.

613.4.2 Multi-user toilet or bathing room. Where adult changing stations are provided in a multi-user toilet or bathing room, the adult changing station shall be located in a compartment that includes all of the following components:

1. Privacy provided by walls, curtains or partitions enclosing the compartment.
2. A turning space complying with Section 304.
3. A lavatory complying with Section 606.
4. A dispenser for soap complying with Section 308.

5. A hand towel dispenser or hand dryer complying with Table 603.6.
6. A coat hook in close proximity to the changing surface.
7. A waste receptacle.
8. Signage indicating "Adult Changing Station" provided at the entrance to the room and complying with the visual character requirements in Section 703.2.

613.4.3 Room or space other than a toilet room. Where adult changing stations are provided in a room or space other than a toilet or bathing room and including, but not limited to, nurses' work areas, therapist work areas, or special education classrooms, the adult changing station shall be located in a compartment or room that includes all of the following components:

1. Privacy provided by walls, curtains or partitions.
2. A turning space complying with Section 304.
3. A lavatory complying with Section 606 or an alcohol-based hand sanitizer dispenser.
4. Where a lavatory is provided in the compartment or room, provide a dispenser for soap.
5. Where a lavatory is provided in the compartment or room, provide a hand towel dispenser or hand dryer complying with Table 603.6.
6. A waste receptacle.

613.5 Clearances. An adult changing station and its supporting structure shall not obstruct required clear floor spaces and clearances at accessible elements, maneuvering clearances at doors, or the wheelchair turning spaces.

REASON: The purpose of this standard proposal is to develop criteria for adult changing tables and the rooms in which they are installed. This is intended to coordinate with scoping provisions provided to the I-codes in proposals E141-21(AMPC1), E142-21(AMPC 1 and 2), P37-21(AMPC1) and M20-21(AS). This proposal is a result of the meetings held by the Adult Changing Facilities work group set up by the ICC A117.1 committee. The work group met every two weeks to develop this criteria. Participation included work group members and interested parties with a wide range of interests, and included representatives of manufactures of adult changing tables and parents of adult persons with disabilities that need to use adult changing tables. The work group reviewed eighteen proposed state laws, two already adopted, and four guidelines in European, Australian and North American countries for adult changing tables. While there is interest in many states to provide such facilities, investigations by this work group showed either no technical guidance or very inconsistent information and application. The end result currently is limiting access to children with disabilities who have grown up with accessibility in schools and public places since the ADA went into effect, as well as disabling a significant number of adults with disabilities who have experienced a different type of life-changing event, accidents, injuries or wars.

The following is an impact statement on the benefits of having these facilities in buildings and facilities.

- Limiting access to those who need adult changing stations decreases the community size dramatically. Nationally, the Centers for Disease Control and Prevention (CDC) reports 61 Million adults (26% of the US population) have some form of disability, with 24.1% affected in the areas of mobility, independent living, and self care. Further, each of those folks need assistance, and likely travel with additional family members. Once this population is taken out of the community, businesses are also losing a large potential of support and income. Providing our citizens more opportunities to participate in the community and patronize local establishments strengthens communities, allowing all family members to engage or travel together as one family nucleus. Currently many families have to make the choice to participate in activities outside of the home with only a portion of their family.
- Individually, families from many states are pushing for the adult changing facilities. A national campaign, Changing Spaces, has been activated, with chapters in at least 10 states, advocating for height adjustable changing tables to be required in public places. At least 12 states have proponents actively proposing and working toward legislation, while as many as 18 states have draft language in play. California has already enacted legislation requiring adult changing stations. Maryland has legislation that goes into effect next year. Accepting this proposal will show wide-spread acceptance of the need along with a consistent set of standards across the country for users to rely on.
- We are all part of an aging population and the elderly still want to be able to attend family gatherings and travel in a car to be with relatives. These adult changing facilities would be valued not only by families with adult disabled children but also be aging adult family members.
- Without appropriate changing facilities, families cannot travel more than 30-40 miles from home. Additionally, trips that involve more than a few hours of time are also a risk. As a result, vacations, trips to zoos, aquariums, museums, concerts, and similar events are eliminated.
- The addition of adult changing tables will present a tremendous change in the quality of life for so many people who were unable to get out and participate in many activities before due to the lack of adequate facilities.

The following are reasons for the portions of the proposal dealing with the adult changing table/surface:

The work group compared the recommended changing surface technical requirements with changing tables on the market and verified that the requirements recommended are available from multiple sources. The following are specific to the sections for the changing surface.

613.2 Safety and performance.

Adult changing stations shall comply with the following:

- 1) ISO 17966 Sections: 5 Materials; 7 Electromagnetic compatibility; 8 Electrical safety; 11 Safety of moving and folding parts; 11.2 Prevention of traps for parts of human body; 16 Static strength, impact, durability; 17 Stability;
- 2) IEC 60601-1 Medical electrical equipment – Part 1: General requirements for basic safety and essential performance; and
- 3) IEC 60601-1-2 Collateral Standard: Electromagnetic disturbances.

These standards were referenced because compliance assures changing station' design and operation will provide electrical and mechanical safety, structural strength, durability, safety of moving parts, prevent entrapment of human body parts and side rail safety for people with disabilities and their caregivers.

613.3.1 Size.

ICC A117.1 has requirements for benches to change clothes with a depth of 24" (Section 903.3). The 30" minimum width is thought to be most appropriate for a person laying down. The 70" length is based on the average height of an adult male.

613.3.2.1 Side clearance.

A 36" deep minimum side clearance along the length of one long open side allows for an accessible route with space to park a wheelchair to support transfer to/from changing surface.

613.2.2.2 End clearance.

A 36" deep minimum clearance on at least one end of the changing surface allows space for individual to move around the table to manipulate clothing and change the individual. It also allows for the wheelchair to be located at that end while a care giver is changing someone. The exception would allow for a 24" clearance at the end (based on information from Assisted Toileting and Bathing work group and study from the Rothchild's Foundation) if there was another location in the room to move the wheelchair. (The California Code requires 36" deep minimum clearance on both ends of the changing surface.)

613.3.3 Height adjustability.

The 17" lowest height is consistent with the ADA 17" to 19" water closet seat height requirement. The average height of a wheelchair seat is 19" above the floor. Lateral transfer to 17" changing surface height is practical. Adjustable height range is consistent with eight states' (FL, NH, OK, WI, CA, MN, IA, MI) published height requirements.

The exception allows a fixed height surface. Fixed height changing surface is: (1) better than no changing surface; (2) a solution for vandalism of adjustable height adult changing surface.

613.3.3.1 Operation.

Controls of height adjustment comply with ADA Section 309.4 since operation is by the care giver, not the person on the table. Raising and lowering folding changing surface and side rails are not covered by ADA Section 309.4

613.3.4 Capacity.

"Not less than 350 lbs." was selected as changing surface capacity because it covers 99% of the general population. Six states (FL, IL, MN, NH, OK and WI) of ten listing load capacity, state 350 lbs. One state (CA) of ten listing load capacity, states 300 lbs. Four states (IA, MI, ND and OH) of ten listing load capacity, state 440 lbs.

CDC data for body weight for the time period 2015-2018 indicates the following. For adult males age 20 and over, the data for all males examined (n=5,085) indicated a mean body weight of 199.8 lbs., and a body weight of 287.2 lbs. at the 95th percentile. When this data is analyzed

by age range, body weight at 95th percentile ranged from 238.0 lbs. for males 80 years and over to 308.5 lbs. for males 30 -39 years of age.

One private sector website offers a body weight percentile calculator, based on the CDC's 2015-2016 NHANES survey. The site specifies that the 99th percentile for adult males as being 341.1 lbs.

Specification of capacity at 350 lbs. seems reasonable, to account for clothing and any supplies that need to be available during the changing activity. Additionally, the 350 lbs. capacity offers a factor of safety of 1.21 when applied to the 287.5 lbs., 95th percentile figure, and 1.02 when applied to the 341.1 lbs., 99th percentile figure.

Anthropometric Reference Data for Children and Adults: United States, 2015-2018. Analytical and Epidemiological Studies. U.S. Department of Health and Human Services, Centers for Disease Control and Prevention, National Center for Health Statistics.

National Health and Nutrition Examination Survey, NHANES 2015-2016. U.S. Department of Health and Human Services, Centers for Disease Control and Prevention cited on website <https://dqydj.com/weight-percentile-calculator-men-women/#:~:text=At%20the%20lowest%20extremes%20for%20adults%2C%20the%201st,for%20men.%20Weight%20alone%20doesn't%20tell%20you%20enough>.

613.3.5 Changing surface. The surface shall be non-porous surface for easy, thorough cleaning. Surface shall be durable to provide multiple years of service under normal conditions of use.

613.3.6.1 Side rail, size and location.

Relate side rail length to changing surface length without referring to a specific inch dimension. Allows for shorter length changing surfaces and rails.

613.3.6.2 Side rail positioning.

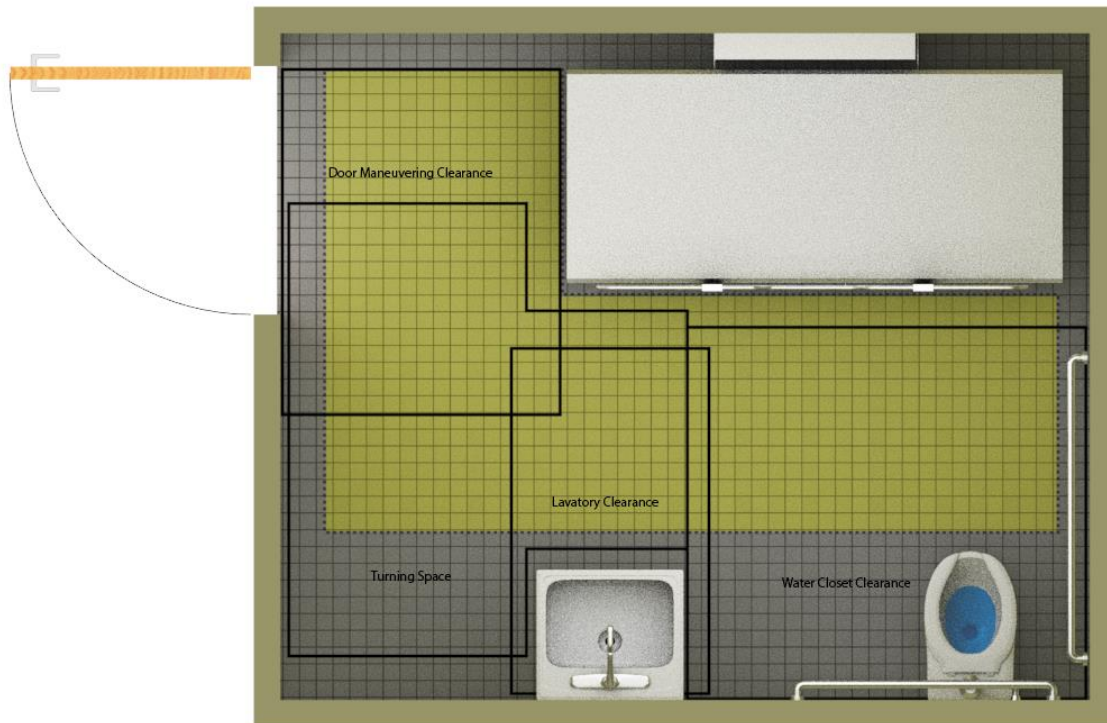
A side rail is needed on open side of changing surface to prevent person being cared for from rolling off. The 5" minimum height from the top of the side rail to the changing surface is considered a practical height for the caregiver to lean over.

The following are reasons for the portions of the proposal dealing with the room where the adult changing table/surface is located:

613.4 Installation location.

There currently is no existing technical design criteria for this feature. A need for adult changing facilities has been brought forth in proposed bills in multiple states with differing sets of design criteria. The proposed bills' criteria were reviewed when developing these recommendations to provide a consistent set of technical criteria that meets the minimum needs of care providers for a private changing facility to change the adults with disabilities whom they care for, while at the same time maintaining required clearances at other fixtures in the room.

Consideration was given to the size of the changing surface being recommended by the Table sub-group to ensure that when in the open position, the changing surface does not obstruct the required clearances for toilets, sinks, doors and maneuvering when an adult changing surface is provided. It is necessary to ensure that the adult changing surface does not create a barrier for other persons with disabilities who may come to use the toilet room if the changing surface is folding and left in the open position. In addition to maintaining required clear floor spaces at other fixtures in the room, it was determined that the changing surface could not overlap the room's turning space because some tables have a base underneath that does not allow for open knee and toe clearance that could otherwise be utilized as part of a turning space.



Committee Action: AS AM D

106-WRIGHT.doc

| | | |
|--|-----------------------------------|----------------------------------|
| Report for 06-83 2021 | | |
| <i>Committee decision: AS/AM/D</i> | <i>Committee Vote at Meeting:</i> | <i>Committee Vote on Ballot:</i> |
| REPORT OF HEARING: | | |
| Modification (if any): | | |
| Committee Reason: | | |
| PUBLIC COMMENT- FIRST DRAFT: | | |
| Proponent: | | |
| Desired Action: | | |
| Modification: | | |
| Reason: | | |
| <i>Committee decision: AS/AM/D</i> | <i>Committee Vote at Meeting:</i> | <i>Committee Vote on Ballot:</i> |
| REPORT OF HEARING – FIRST DRAFT | | |
| Modification (if any): | | |
| Committee Reason: | | |
| PUBLIC COMMENT- SECOND DRAFT: | | |
| Proponent: | | |
| Desired Action: | | |

Report for 06-83 2021

Modification:

Reason:

Committee decision: AS/AM/D**Committee Vote at Meeting:****Committee Vote on Ballot:****FINAL ACTION:**

Modification (if any):

Committee Reason:

07-01 – 2021

703.1.2

Proponent: Billie Louise (Beezy) Bentzen, PhD., Accessible Design for the Blind, representing Association for the Education and Rehabilitation of the Blind and Visually Impaired (AER)

Revise as follows:

SECTION 703 SIGNS

703.1.2 Directional and informational signs. Signs that provide direction to or information about interior spaces and facilities of the site shall comply with Section 703.2, 703.3 and 703.4.

Exception: Where the bottom of the sign is greater than 80 inches (2030 mm) above the floor, the sign is not required to comply with Section 703.3 and 703.4.

REASON: Directional signs that are accessible to people who are vision disabled because they are easy to find and they can be approached for close viewing can greatly reduce the need for people who are vision disabled to obtain information from other people. (See AERBVI proposed additional language to 703.3.) It is perfectly possible for people who are blind or who have low vision to travel independently in unfamiliar public environments if directional information is provided in predictable locations.

Asking strangers for wayfinding information has been found to be the least preferred way by people who are not vision disabled to get needed information. If the passenger cannot see or hear another person who is close by, and cannot judge whether a person they do detect is a person they would feel safe engaging with, and who is likely to have and be able to provide the answer to their question, asking a fellow passenger becomes an even more undesirable way to get information. Fear of getting confused or disoriented when traveling, or of being vulnerable to physical or psychological abuse, often results in isolation for people who are vision disabled, or the use of alternative means of travel, such as paratransit (which is expensive for the traveler and even more so for the transit system), taxi, or friends or relatives whom they do not want to inconvenience. Unlike transit facilities, most of which, during most daytime hours will have numerous people passing by, corridors in public buildings, especially office buildings, often have no people traveling in them who could provide directional information. Having no accessible directional signage in public buildings often results in the perceived need by people who are vision disabled to travel with a companion, lest they get lost.

Additional support for this concept and the need for it may be found in Ardit, A. (2017). Rethinking ADA signage standards for low vision accessibility. *J Vis.* 2017; 17(5): 8. Published online 2017 May 16. doi: 10.1167/17.5.8 (attached), and Arthur, P., & Passini, R.. (1992). *Wayfinding: People, signs, and architecture*. New York: McGraw Hill. Pp. 200-202.

The intent of the exception is to not require raised letters or braille on overhead signage. If the directional sign is in the wall the baseline of the rows would have to be between 48” and 60” because of Section 703.3.10 and 703.4.5.

Committee Action:

AS

AM

D

703.1.2-BENTZEN.doc

| Report for 07-01– 2021 | | |
|--|-----------------------------------|----------------------------------|
| Committee decision: AS/AM/D | Committee Vote at Meeting: | Committee Vote on Ballot: |
| REPORT OF HEARING: | | |
| Modification (if any): | | |
| Committee Reason: | | |
| PUBLIC COMMENT- FIRST DRAFT: | | |
| Proponent: | | |
| Desired Action: | | |
| Modification: | | |
| Reason: | | |
| Committee decision: AS/AM/D | Committee Vote at Meeting: | Committee Vote on Ballot: |
| REPORT OF HEARING – FIRST DRAFT | | |
| Modification (if any): | | |
| Committee Reason: | | |
| PUBLIC COMMENT- SECOND DRAFT: | | |
| Proponent: | | |
| Desired Action: | | |
| Modification: | | |
| Reason: | | |
| Committee decision: AS/AM/D | Committee Vote at Meeting: | Committee Vote on Ballot: |
| FINAL ACTION: | | |
| Modification (if any): | | |
| Committee Reason: | | |

07-02 – 2021
703.1.3

Proponent: Billie Louise (Beezy) Bentzen, PhD., Accessible Design for the Blind, representing Association for the Education and Rehabilitation of the Blind and Visually Impaired (AER)

Revise as follows:

SECTION 703
SIGNS

703.1.3. Pictograms. Where pictograms are provided as designations of permanent interior rooms and spaces, the pictograms shall comply with Section 703.5 and shall have text descriptors located directly below the pictogram field and complying with Sections 703.2 and 703.3.

Exception: Pictograms ~~that provide information about a room or space, such as “No Smoking,”~~ depicting occupant logos, and the International Symbol of Accessibility, shall not be required to have text descriptors.

REASON: The pictogram for “No Smoking” is important communication for people who are vision disabled. It is not reliably discriminated and recognized by them and needs to have text description.

Committee Action: AS AM D

703.1.3-BENTZEN.doc

| Report for 07-02– 2021 | | |
|--|-----------------------------------|----------------------------------|
| <i>Committee decision: AS/AM/D</i> | <i>Committee Vote at Meeting:</i> | <i>Committee Vote on Ballot:</i> |
| REPORT OF HEARING: | | |
| Modification (if any): | | |
| Committee Reason: | | |
| PUBLIC COMMENT- FIRST DRAFT: | | |
| Proponent: | | |
| Desired Action: | | |
| Modification: | | |
| Reason: | | |
| <i>Committee decision: AS/AM/D</i> | <i>Committee Vote at Meeting:</i> | <i>Committee Vote on Ballot:</i> |
| REPORT OF HEARING – FIRST DRAFT | | |
| Modification (if any): | | |
| Committee Reason: | | |
| PUBLIC COMMENT- SECOND DRAFT: | | |
| Proponent: | | |
| Desired Action: | | |
| Modification: | | |
| Reason: | | |
| <i>Committee decision: AS/AM/D</i> | <i>Committee Vote at Meeting:</i> | <i>Committee Vote on Ballot:</i> |
| FINAL ACTION: | | |
| Modification (if any): | | |
| Committee Reason: | | |

07-03 – 2021

703.2.4 (New), 703.3.5 (New)

Proponent: Kimberly Paarlberg, International Code Council

Add new text as follows:

SECTION 703 SIGNS

703.2 Visual Characters

703.2.4 Text orientation: The lines of visual text characters shall be displayed with the base line of the text in either in a vertical or horizontal orientation.

Exception: Numeric characters are permitted to be displayed in a vertical orientation, one under another.

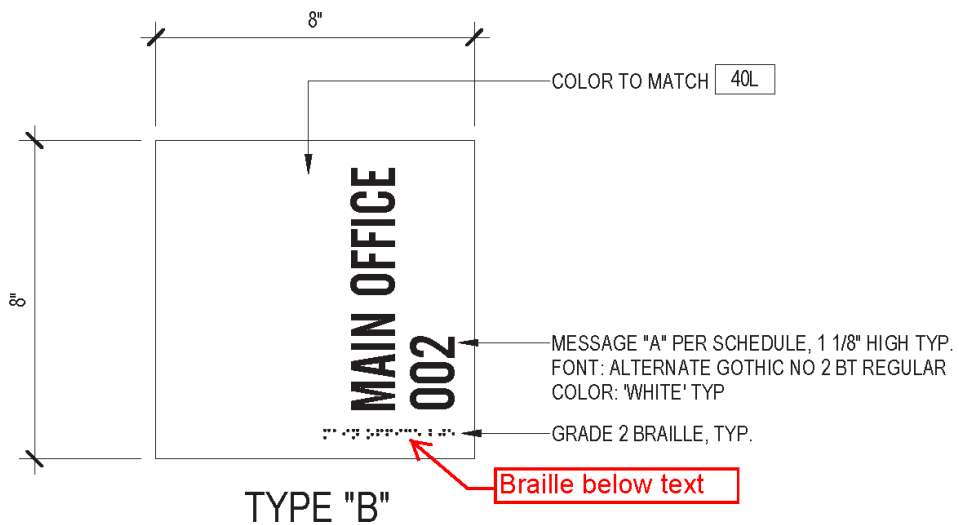
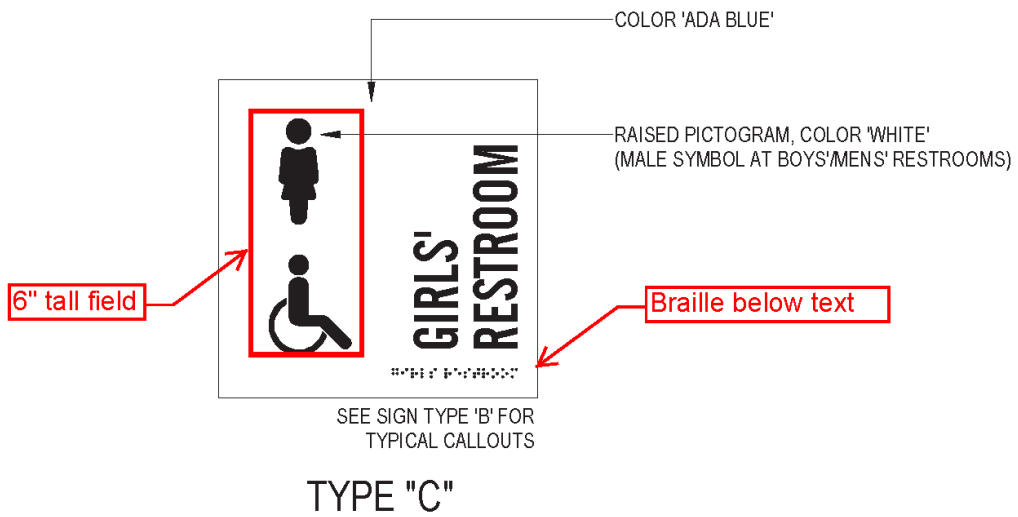
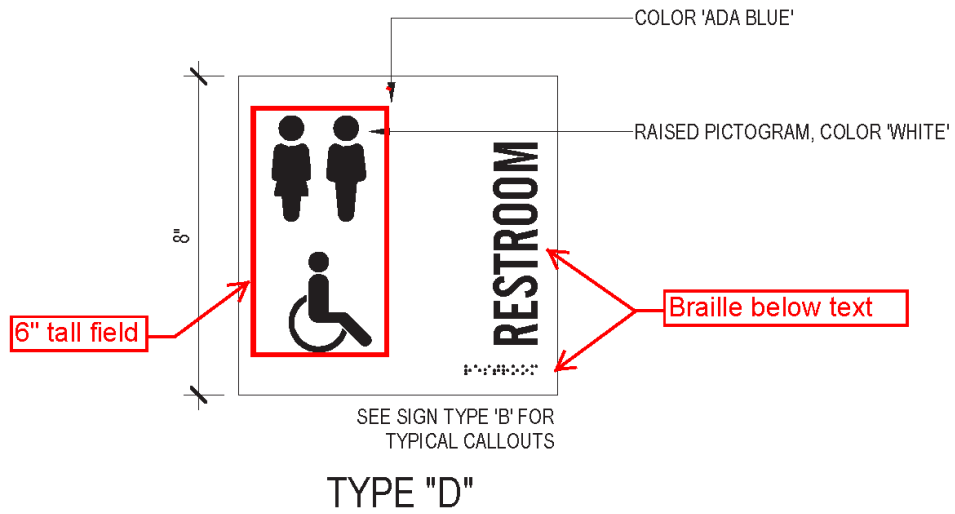
703.3 Raised characters.

703.3.5 Text orientation: Raised characters shall be displayed in a horizontal orientation.

REASON: The standard does not currently provide any guidance regarding the orientation of either visual or raised characters. We have received several questions regarding whether the standard allows visual characters to be displayed in a vertical line. See the attached image as an example of a sign that was proposed to illustrate the issue that is trying to be addressed by this change.

This is an attempt to clarify an issue which is currently unaddressed within the standard. Where a sign is numbers only, there is nothing within the current text that says the numbers cannot be one under another instead of being placed horizontally in a row. However, although not stated, they should be oriented in a standard vertical manner even if each digit is displayed on a separate line which complies with the appropriate line spacing. As the image shows, numerals cannot be easily read when oriented horizontally (sideways) and thus they should not be rotated.

The intent of this proposal is to require that raised characters must be oriented on a horizontal line of text and that numerals be kept in a vertical orientation. Visual characters would be permitted to be oriented onto a vertical line of text. Braille is not addressed by this proposal and is assumed to be adequately addressed by the “contracted (Grade 2) braille” requirement of Section 703.4.1.



Committee Action:

AS

AM

D

703.2.4-PAARLBERG.doc

| Report for 07-03- 2021 | | |
|--|-----------------------------------|----------------------------------|
| <i>Committee decision: AS/AM/D</i> | <i>Committee Vote at Meeting:</i> | <i>Committee Vote on Ballot:</i> |
| REPORT OF HEARING: | | |
| Modification (if any): | | |
| Committee Reason: | | |
| PUBLIC COMMENT- FIRST DRAFT: | | |
| Proponent: | | |
| Desired Action: | | |
| Modification: | | |
| Reason: | | |
| <i>Committee decision: AS/AM/D</i> | <i>Committee Vote at Meeting:</i> | <i>Committee Vote on Ballot:</i> |
| REPORT OF HEARING – FIRST DRAFT | | |
| Modification (if any): | | |
| Committee Reason: | | |
| PUBLIC COMMENT- SECOND DRAFT: | | |
| Proponent: | | |
| Desired Action: | | |
| Modification: | | |
| Reason: | | |
| <i>Committee decision: AS/AM/D</i> | <i>Committee Vote at Meeting:</i> | <i>Committee Vote on Ballot:</i> |
| FINAL ACTION: | | |
| Modification (if any): | | |
| Committee Reason: | | |

07-04 – 2021

703.3.11, 703.3.12(New)

Proponent: Billie Louise (Beezy) Bentzen, PhD., Accessible Design for the Blind, representing Association for the Education and Rehabilitation of the Blind and Visually Impaired (AER)

Revise as follows:

SECTION 703 SIGNS

703.3 Raised characters.

703.3.11 Location at doors. Where a sign containing raised characters and braille is provided at a door, the sign shall be alongside the door at the latch side. Where a sign containing raised characters and braille is provided at double doors with one active leaf, the sign shall be located on the inactive leaf. Where a sign containing raised characters and braille is provided at double doors with two active leaves, the sign shall be to the right of the right-hand door. Where there is no wall space on the latch side of a single door, or to the right side of double doors, signs shall be on the nearest adjacent wall. Signs containing raised characters and braille shall be located so that a clear floor area 18 inches (455 mm) minimum by 18 inches (455 mm) minimum, centered on the raised characters is provided beyond the arc of any door swing between the closed position and 45 degree open position.

Exception: Signs containing raised characters and braille shall be permitted on the push side of doors with closers and without hold-open devices.

703.3.12 Location for directional signs. Directional signs comprised of raised characters and braille that are intended to convey directions to locations within a building interior shall be located at corridor intersection corners, with no horizontal access restrictions, to allow for close viewing.

Exception: Additional directional signs are permitted to be mounted overhead or at locations other than the required mounting locations, provided that equivalent information is given on signs meeting this section.

REASON: Directional signs that are accessible to people who are vision disabled because they are easy to find and they can be approached for close viewing can greatly reduce the need for people who are vision disabled to obtain information from other people. It is perfectly possible for people who are blind or who have low vision to travel independently in unfamiliar public environments if directional information is provided in predictable locations.

Asking strangers for wayfinding information has been found to be the least preferred way by people who are not vision disabled to get needed information. If the passenger cannot see or hear another person who is close by, and cannot judge whether a person they do detect is a person they would feel safe engaging with, and who is likely to have and be able to provide the answer to their question, asking a fellow passenger becomes an even more undesirable way to

get information. Fear of getting confused or disoriented when traveling, or of being vulnerable to physical or psychological abuse, often results in isolation for people who are vision disabled, or the use of alternative means of travel, such as paratransit (which is expensive for the traveler and even more so for the transit system), taxi, or friends or relatives whom they do not want to inconvenience. Unlike transit facilities, most of which, during most daytime hours will have numerous people passing by, corridors in public buildings, especially office buildings, often have no people traveling in them who could provide directional information. Having no accessible directional signage in public buildings often results in the perceived need by people who are vision disabled to travel with a companion, lest they get lost.

Additional support for this concept and the need for it may be found in Ardit, A. (2017). Rethinking ADA signage standards for low vision accessibility. *J Vis.* 2017; 17(5): 8. Published online 2017 May 16. doi: 10.1167/17.5.8 (attached), and Arthur, P., & Passini, R.. (1992). *Wayfinding: People, signs, and architecture*. New York: McGraw Hill. Pp. 200-202.

Committee Action: AS AM D

703.3.11-BENTZEN.doc

| | | |
|--|-----------------------------------|----------------------------------|
| Report for 07-04- 2021 | | |
| Committee decision: AS/AM/D | Committee Vote at Meeting: | Committee Vote on Ballot: |
| REPORT OF HEARING: | | |
| Modification (if any): | | |
| Committee Reason: | | |
| PUBLIC COMMENT- FIRST DRAFT: | | |
| Proponent: | | |
| Desired Action: | | |
| Modification: | | |
| Reason: | | |
| Committee decision: AS/AM/D | Committee Vote at Meeting: | Committee Vote on Ballot: |
| REPORT OF HEARING – FIRST DRAFT | | |
| Modification (if any): | | |
| Committee Reason: | | |
| PUBLIC COMMENT- SECOND DRAFT: | | |
| Proponent: | | |
| Desired Action: | | |
| Modification: | | |
| Reason: | | |
| Committee decision: AS/AM/D | Committee Vote at Meeting: | Committee Vote on Ballot: |
| FINAL ACTION: | | |
| Modification (if any): | | |
| Committee Reason: | | |

07-05 – 2021

703.6.3.3, Figures 703.6.3.3(A)(New), 703.6.3.3

Proponent: Marsha Mazz, representing United Spinal Association

Revise as follows:

**SECTION 703
SIGNS**

703.6 Symbols of accessibility.

703.6.3.3 Assistive listening systems. Assistive listening systems that provide hearing loops (induction loop-type assistive listening) shall be identified by the International Symbol for Hearing Access with a “T” to Indicate a Hearing Loop complying with Figure 703.6.3.3 (a). Assistive listening systems that do not provide hearing loops shall be identified by the International Symbol of Access for Hearing Loss complying with Figure 703.6.3.3 (b).



FIGURE 703.6.3.3(A)

International Symbol of Access for Hearing Loss with a “T” to indicate a hearing loop



FIGURE 703.6.3.3 (B)

International Symbol of Access for Hearing Loss

REASON: Adopt new Figure 703.6.3.3(a) signage for hearing loops. Section 706 of The ICC A117 2017 and the 2010 ADA Standards both allow a variety of types of assistive listening systems to be installed. Currently, there are three type in uses: Induction Loop (commonly known as a hearing loop), FM, and Infrared. Current Figure 703.6.3.3 in the Standard is the

signage for access for hearing loss. This symbol has been internationally modified with the addition of a T (proposed new Figure 706.3.3(a)) to indicate the presence of a hearing loop.

Of the three aforementioned systems 2 require additional equipment, a receiver and a coupling device to use them. The third system a hearing loop does not require additional equipment to use for some people whose hearing aid or cochlear implant has a telecoil. It can be used by people who do not have a hearing aid or cochlear implant or for those who do not have a telecoil, with the use of a loop receiver. Where hearing loops are provided, people using modern hearing aids or cochlear implants with a telecoil can receive the audio signal directly into their device without obtaining a receiver from the venue operator. The user just flips a switch on their device to immediately connect to the hearing loop.

It is important to add Figure 706.3.3 (a), so users are able to quickly and efficiently identify that a hearing loop is present. Both symbols are in the public domain and are not subject to copywrite.

Additional information about hearing loops is available on the Hearing Loss Association of America website.

<https://www.hearingloss.org/programs-events/get-hearing-loop/>

This proposal is co-sponsored by Sharon Toji representing Hearing Loss Association of America.

REASON: The intent of this proposal is to ensure that people transferring to a bathtub set will not have to also transfer over the rim of the bathtub and down into the seat and back up over the rim. This will better protect users from injuries due to complex transfers.

Committee Action: AS AM D

703.6.3.3 (a,b)-MAZZ.doc

| | | |
|--|-----------------------------------|----------------------------------|
| Report for 07-05– 2021 | | |
| <i>Committee decision: AS/AM/D</i> | <i>Committee Vote at Meeting:</i> | <i>Committee Vote on Ballot:</i> |
| REPORT OF HEARING: | | |
| Modification (if any): | | |
| Committee Reason: | | |
| PUBLIC COMMENT- FIRST DRAFT: | | |
| Proponent: | | |
| Desired Action: | | |
| Modification: | | |
| Reason: | | |
| <i>Committee decision: AS/AM/D</i> | <i>Committee Vote at Meeting:</i> | <i>Committee Vote on Ballot:</i> |
| REPORT OF HEARING – FIRST DRAFT | | |
| Modification (if any): | | |
| Committee Reason: | | |
| PUBLIC COMMENT- SECOND DRAFT: | | |
| Proponent: | | |
| Desired Action: | | |
| Modification: | | |
| Reason: | | |
| <i>Committee decision: AS/AM/D</i> | <i>Committee Vote at Meeting:</i> | <i>Committee Vote on Ballot:</i> |
| FINAL ACTION: | | |
| Modification (if any): | | |
| Committee Reason: | | |

07-06 – 2021.4

703.6.3.4(New), FIGURE 703.6.3.4(New)

Proponent: Hansel Bauman, Hansel Bauman Architecture + Planning, representing National Association of the Deaf

Add new text and figure as follows:

**SECTION 703
SIGNS**

703.6 Symbols of accessibility.

703.6.3.4 Sign language facilities. Sign language interpreter’s stations and visual relay booths shall be identified by the International Symbol for Sign Language complying with Figure 703.6.3.4.



FIGURE 703.6.3.4
International Symbol for Sign Language

REASON: Currently the standard does not provide a means for identifying the location of either VRS booths or Sign Language Interpretation making it difficult for users to locate and therefore limiting access. This revision provides a standard signage that may be used in a similar means as TTY and assistive hearing loops have been designated.

The proposed pictogram provided here is in support of the recommended added text for signage to designate the location of Sign Language Interpreter Stations and VRS booths. The proposed pictogram utilizes the ASL hand-sign for “Interpreter” as a widely recognized symbol within the deaf, hard of hearing and interpreter community and is consistent with the dark on light contrast style used to indicate assistive hearing loops and TTY services.

Committee Action:

AS

AM

D

FIGURE 703.6.3-BAUMAN.doc

| | | |
|--|-----------------------------------|----------------------------------|
| Report for 07-06– 2021 | | |
| <i>Committee decision: AS/AM/D</i> | <i>Committee Vote at Meeting:</i> | <i>Committee Vote on Ballot:</i> |
| REPORT OF HEARING: | | |
| Modification (if any): | | |
| Committee Reason: | | |
| PUBLIC COMMENT- FIRST DRAFT: | | |
| Proponent: | | |
| Desired Action: | | |
| Modification: | | |
| Reason: | | |
| <i>Committee decision: AS/AM/D</i> | <i>Committee Vote at Meeting:</i> | <i>Committee Vote on Ballot:</i> |
| REPORT OF HEARING – FIRST DRAFT | | |
| Modification (if any): | | |
| Committee Reason: | | |
| PUBLIC COMMENT- SECOND DRAFT: | | |
| Proponent: | | |
| Desired Action: | | |
| Modification: | | |
| Reason: | | |
| <i>Committee decision: AS/AM/D</i> | <i>Committee Vote at Meeting:</i> | <i>Committee Vote on Ballot:</i> |
| FINAL ACTION: | | |
| Modification (if any): | | |
| Committee Reason: | | |

07-07 – 2021
703.7.14

Proponent: Kimberly Paarlberg, International Code Council

Revise as follows:

SECTION 703
SIGNS

703.7 Variable message signs.

703.7.14 Rate of change. Where a VMS message can be displayed in its entirety on a single screen, it shall be displayed on a single screen. The message and shall remain motionless on the screen for a minimum 3 seconds or one second minimum for every 7 characters of the message including spaces whichever is longer.

REASON: As currently written if a message is long enough where only a portion of the message can be displayed at one time, then the standard does not establish how long that message needs to be displayed. The current text only applies to single screen messages. Therefore, as currently written, once a message extended to multiple screens a high rate of change such as one second for each screen image would be permitted.

While I do not recall the initial research addressing this aspect of the rate of change, clearly a longer message should not be allowed to have a faster rate of change, especially to the point where it would become unreadable.

Committee Action: AS AM D

703.7.14-PAARLBERG.doc

| | | |
|--|-----------------------------------|----------------------------------|
| Report for 07-07– 2021 | | |
| <i>Committee decision: AS/AM/D</i> | <i>Committee Vote at Meeting:</i> | <i>Committee Vote on Ballot:</i> |
| REPORT OF HEARING: | | |
| Modification (if any): | | |
| Committee Reason: | | |
| PUBLIC COMMENT- FIRST DRAFT: | | |
| Proponent: | | |
| Desired Action: | | |
| Modification: | | |
| Reason: | | |
| <i>Committee decision: AS/AM/D</i> | <i>Committee Vote at Meeting:</i> | <i>Committee Vote on Ballot:</i> |
| REPORT OF HEARING – FIRST DRAFT | | |
| Modification (if any): | | |
| Committee Reason: | | |
| PUBLIC COMMENT- SECOND DRAFT: | | |
| Proponent: | | |
| Desired Action: | | |
| Modification: | | |
| Reason: | | |
| <i>Committee decision: AS/AM/D</i> | <i>Committee Vote at Meeting:</i> | <i>Committee Vote on Ballot:</i> |
| FINAL ACTION: | | |
| Modification (if any): | | |
| Committee Reason: | | |

07-08 – 2021

703.8

Proponent: Billie Louise (Beezy) Bentzen, PhD., Accessible Design for the Blind, representing Association for the Education and Rehabilitation of the Blind and Visually Impaired (AER)

**SECTION 703
SIGNS**

Delete with substitution:

~~**703.8 Remote infrared audible sign (RIAS) systems.**~~

~~**703.8.1 General.** Remote Infrared Audible Sign Systems shall comply with Section 703.8.~~

~~**703.8.2 Transmitters.** Where provided, Remote Infrared Audible Sign Transmitters shall be designed to communicate with receivers complying with Section 703.8.3.~~

~~**703.8.3 Infrared audible sign receivers.**~~

~~**703.8.3.1 Frequency.** Basic speech messages shall be frequency modulated at 25 kHz, with a ± 2.5 kHz deviation, and shall have an infrared wavelength from 850 to 950 nanometer (nm).~~

~~**703.8.3.2 Optical power density.** Receiver shall produce a 12 decibel (dB) signal plus noise to noise ratio with a 1 kHz modulation tone at ± 2.5 kHz deviation of the 25 kHz subcarrier at an optical power density of 26 picowatts per square millimeter measured at the receiver photosensor aperture.~~

~~**703.8.3.3 Audio output.** The audio output from an internal speaker shall be at 75 dBA minimum at 18 inches (455 mm) with a maximum distortion of 10 percent.~~

~~**703.8.3.4 Reception range.** The receiver shall be designed for a high dynamic range and capable of operating in full sun background illumination.~~

~~**703.8.3.5 Multiple signals.** A receiver provided for the capture of the stronger of two signals in the receiver field of view shall provide a received power ratio on the order of 20 dB for negligible interference.~~

REASON: RIAS technology for wayfinding is no longer commercially available. Other wayfinding technologies have made it obsolete.

Committee Action: AS AM D

703.8-BENTZEN.doc

| | | |
|--|-----------------------------------|----------------------------------|
| Report for 07-08– 2021 | | |
| <i>Committee decision: AS/AM/D</i> | <i>Committee Vote at Meeting:</i> | <i>Committee Vote on Ballot:</i> |
| REPORT OF HEARING: | | |
| Modification (if any): | | |
| Committee Reason: | | |
| PUBLIC COMMENT- FIRST DRAFT: | | |
| Proponent: | | |
| Desired Action: | | |
| Modification: | | |
| Reason: | | |
| <i>Committee decision: AS/AM/D</i> | <i>Committee Vote at Meeting:</i> | <i>Committee Vote on Ballot:</i> |
| REPORT OF HEARING – FIRST DRAFT | | |
| Modification (if any): | | |
| Committee Reason: | | |
| PUBLIC COMMENT- SECOND DRAFT: | | |
| Proponent: | | |
| Desired Action: | | |
| Modification: | | |
| Reason: | | |
| <i>Committee decision: AS/AM/D</i> | <i>Committee Vote at Meeting:</i> | <i>Committee Vote on Ballot:</i> |
| FINAL ACTION: | | |
| Modification (if any): | | |
| Committee Reason: | | |

07-09 – 2021

704.7.1(New)

Proponent: Hansel Bauman, Hansel Bauman Architecture + Planning, representing National Association of the Deaf

Add new text as follows:

SECTION 704 TELEPHONES

704.7 Visual relay service booth. Each public visual relay service booth shall accommodate one user with a seating and privacy enclosure, a two-way video communication system and diffuse lighting with a minimum lighting level of 20 foot candles (215 lux). The background of the seating area, and within range of the two-way video communication system, shall have a flat, non-textured surface and finish color in the bright green or blue range.

704.7.1 Signage. The visual relay service booth shall be identified by the International Symbol for Sign Language in accordance with Section 703.6.3.

REASON: Currently the standard does not provide a means for identifying the location of VRS booths or Sign Language Interpretation making it difficult for users to locate and therefore limiting access. This revision provides a standard signage that may be used in a similar means as TTY and assistive hearing loops have been designated.

Committee Action: AS AM D

703.6.3.5-BAUMAN.doc

| Report for 07-09– 2021 | | |
|--|-----------------------------------|----------------------------------|
| <i>Committee decision: AS/AM/D</i> | <i>Committee Vote at Meeting:</i> | <i>Committee Vote on Ballot:</i> |
| REPORT OF HEARING: | | |
| Modification (if any): | | |
| Committee Reason: | | |
| PUBLIC COMMENT- FIRST DRAFT: | | |
| Proponent: | | |
| Desired Action: | | |
| Modification: | | |
| Reason: | | |
| <i>Committee decision: AS/AM/D</i> | <i>Committee Vote at Meeting:</i> | <i>Committee Vote on Ballot:</i> |
| REPORT OF HEARING – FIRST DRAFT | | |
| Modification (if any): | | |
| Committee Reason: | | |
| PUBLIC COMMENT- SECOND DRAFT: | | |
| Proponent: | | |
| Desired Action: | | |
| Modification: | | |
| Reason: | | |
| <i>Committee decision: AS/AM/D</i> | <i>Committee Vote at Meeting:</i> | <i>Committee Vote on Ballot:</i> |
| FINAL ACTION: | | |
| Modification (if any): | | |
| Committee Reason: | | |

08-01 – 2021
802.11.6(New)

Proponent: Hansel Bauman, Hansel Bauman Architecture + Planning, representing National Association of the Deaf

Add new text as follows:

SECTION 802
ASSEMBLY AREAS

802.11 Sign language interpreter stations.

802.11.6 Signage. The location of the sign language interpreter station shall be identified by the International Symbol for Sign Language in accordance with Section 703.6.3. The sign shall be embossed in or flush-mounted on the floor surface at the center point of the sign language interpreter station

REASON: The Standard currently designates the specific size and location of sign language interpreter stations but does not provide a means for identifying their location. Sign language interpreter stations are located within larger open floor areas such as stages, platforms, meeting rooms etc., making them difficult to easily locate. Their specific location is related to light fixture locations, background and audience seating making it necessary for interpreters to easily find the station quickly during interpreter shift-changes during public presentations. This proposed additional language provides for a pictogram to be located at the center point of the station making it easy to locate.

Committee Action: AS AM D

802.11.5-BAUMAN.doc

| Report for 08-01– 2021 | | |
|--|-----------------------------------|----------------------------------|
| <i>Committee decision: AS/AM/D</i> | <i>Committee Vote at Meeting:</i> | <i>Committee Vote on Ballot:</i> |
| REPORT OF HEARING: | | |
| Modification (if any): | | |
| Committee Reason: | | |
| PUBLIC COMMENT- FIRST DRAFT: | | |
| Proponent: | | |
| Desired Action: | | |
| Modification: | | |
| Reason: | | |
| <i>Committee decision: AS/AM/D</i> | <i>Committee Vote at Meeting:</i> | <i>Committee Vote on Ballot:</i> |
| REPORT OF HEARING – FIRST DRAFT | | |
| Modification (if any): | | |
| Committee Reason: | | |
| PUBLIC COMMENT- SECOND DRAFT: | | |
| Proponent: | | |
| Desired Action: | | |
| Modification: | | |
| Reason: | | |
| <i>Committee decision: AS/AM/D</i> | <i>Committee Vote at Meeting:</i> | <i>Committee Vote on Ballot:</i> |
| FINAL ACTION: | | |
| Modification (if any): | | |

Report for 08-01- 2021

Committee Reason:

08-02– 2021

804.2, 804.2.2, 804.2.3

Proponent: Kimberly Paarlberg, International Code Council

Revise as follows:

**SECTION 804
KITCHENS**

804.1 General. Kitchens shall comply with Section 804.

804.2 Clearance. Where a pass-through kitchen is provided, clearances shall comply with Section 804.2.1. Where a U-shaped kitchen is provided, clearances shall comply with Section 804.2.2.– Where a galley kitchen is provided, clearances shall comply with Section 804.2.3. Kitchens where a cook top or conventional range is not provided shall comply with Section ~~804.2.3~~ 804.2.4.

804.2.1 Pass-through kitchens. In pass-through kitchens where counters, appliances or cabinets are on two opposing sides, or where counters, appliances or cabinets are opposite a parallel wall, clearance between all opposing base cabinets, countertops, appliances, or walls within kitchen work areas shall be 40 inches (1015 mm) minimum. Pass-through kitchens shall have two entries.

804.2.2 U-shaped kitchens. In kitchens enclosed on three contiguous sides clearance between all opposing base cabinets, countertops, appliances, or walls within kitchen work areas shall be 60 inches (1525 mm) minimum.

Exceptions:

1. U-shaped kitchens with an island complying with Section 804.2.1.
2. Galley kitchens which are enclosed on three contiguous sides but that do not have cabinets, countertops or appliances located at the base of the U, shall be permitted to comply with Section 804.2.3.

804.2.3 Galley kitchens. In kitchens enclosed on three contiguous sides which do not have cabinets, countertops or appliances located at the enclosed end of the kitchen (the base of the U-shape) shall comply with all of the following:

1. The clearance between all opposing base cabinets, countertops, appliances, or walls within kitchen work areas shall be 40 inches (1015 mm) minimum.
2. A turning space complying with Section 304 shall be provided within the kitchen

~~804.2.3~~ 804.2.4 Spaces where a cook top or conventional range is not provided. In a kitchen space where a cooktop or conventional range is not provided, clearance between all opposing base cabinets, countertops, appliances and walls within kitchen work areas shall be 40-inch (1015 mm) minimum.

REASON: I recognize that making this proposal is somewhat equivalent to “touching the third rail” and something you are not supposed to do. However, this is something that does need to be cleaned up and addressed so that confusion regarding the intent of the U-shaped kitchens can be eliminated. In addition, this proposal will provide more design options for accessible kitchens and can require less space and lessen some of the burden of providing accessible kitchens.

There is often a misconception that the U-shaped kitchen requirements were established so that there was a 60-inch clearance between the base cabinets to ensure that a turning circle could be located within the kitchen between the cabinets/appliances. In reality, the 60-inch requirement at the base of the U was to ensure access to the cabinet or appliances located at the enclosed end and address the parallel approach “alcove” situation where the clear floor space to access the end cabinets or appliances were confined on all or part of three sides (Section 305.7). With the changes made in the 2017 edition that require a 67-inch turning circle (304.3) there are some people that assume the larger space is also needed for the U-shaped kitchens.

Where there are no countertops, appliances or cabinets located at the base of the U, there really is no justification for the 60-inch alcove clearance requirement. and the normal 40-inch clearance that is permitted for a pass-through or a Type B dwelling unit kitchen should be acceptable. And if the 40-inch clearance is permitted for a pass through kitchen, then why is that same clearance not acceptable if we ensure that the users have a compliant turning space as opposed to perhaps leaving the kitchen and reentering it?

Because there is only one way out of this kitchen (which is what makes this different than a pass-through kitchen), it is important that a compliant turning space be provided. This should be reasonably easy to provide since any kitchen with a cooktop or conventional range would be required to provide a work surface or sink with knee and toe clearances. In this situation it typically would require the width of the knee/toe clearance to be wider in order to meet one of the T-shaped turning space requirements (304.3.2) as opposed to the forward approach alcove provisions of 305.7.2.

The existing figures for the Type A unit kitchens (Fig. 1103.12.1.1) provide a good illustration of what the galley kitchen provisions would allow.

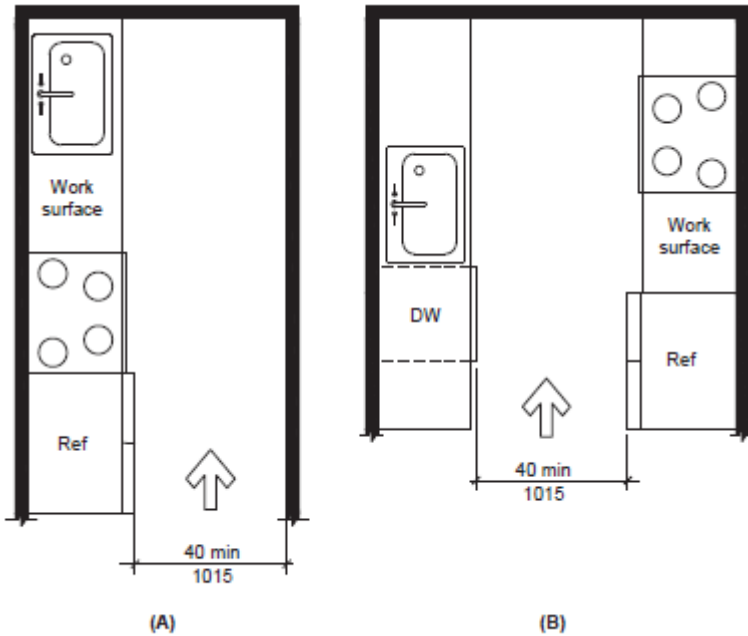


FIGURE 1103.12.1.1

Committee Action:

AS

AM

D

804.1-PAARLBERG.doc

| Report for 08-02- 2021 | | |
|--|-----------------------------------|----------------------------------|
| Committee decision: AS/AM/D | Committee Vote at Meeting: | Committee Vote on Ballot: |
| REPORT OF HEARING: | | |
| Modification (if any): | | |
| Committee Reason: | | |
| PUBLIC COMMENT- FIRST DRAFT: | | |
| Proponent: | | |
| Desired Action: | | |
| Modification: | | |
| Reason: | | |
| Committee decision: AS/AM/D | Committee Vote at Meeting: | Committee Vote on Ballot: |
| REPORT OF HEARING – FIRST DRAFT | | |
| Modification (if any): | | |
| Committee Reason: | | |
| PUBLIC COMMENT- SECOND DRAFT: | | |
| Proponent: | | |
| Desired Action: | | |
| Modification: | | |
| Reason: | | |
| Committee decision: AS/AM/D | Committee Vote at Meeting: | Committee Vote on Ballot: |
| FINAL ACTION: | | |
| Modification (if any): | | |
| Committee Reason: | | |

08-03 – 2021

804.2, 1103.12.1, 1104.12.1

Proponent: Christine Scully representing Scully ADA Consulting, LTD

Revise as follows:

**SECTION 804
KITCHENS**

804.2 Clearance. Where a pass-through kitchen is provided, clearances shall comply with Section 804.2.1. Where a U-shaped kitchen is provided, clearances shall comply with Section 804.2.2. Kitchens where a cook top or conventional range is not provided shall comply with Section 804.2.3.

Exception: Circulation routes into kitchens that do not serve as access to counters, appliances or cabinets shall comply with Section 403.5

804.2.1 Pass-through kitchens. In pass-through kitchens where counters, appliances or cabinets are on two opposing sides, or where counters, appliances or cabinets are opposite a parallel wall, clearance between all opposing base cabinets, countertops, appliances, or walls within kitchen work areas shall be 40 inches (1015 mm) minimum. Pass-through kitchens shall have two entries.

804.2.2 U-shaped kitchens. In kitchens enclosed on three contiguous sides, clearance between all opposing base cabinets, countertops, appliances, or walls within kitchen work areas shall be 60 inches (1525 mm) minimum.

Exception: U-shaped kitchens with an island complying with Section 804.2.1.

804.2.3 Spaces where a cook top or conventional range is not provided. In a kitchen space where a cooktop or conventional range is not provided, clearance between all opposing base cabinets, countertops, appliances and walls within kitchen work areas shall be 40-inch (1015 mm) minimum.

**SECTION 1102
ACCESSIBLE UNIT**

1102.12 Kitchens. Kitchens shall comply with Section 804.

**SECTION 1103
TYPE A UNIT**

1103.12 Kitchens. Kitchens shall comply with Section 1103.12.

1103.12.1 Clearance. Clearance complying with Section 1103.12.1 shall be provided.

Exception: Circulation routes into kitchens that do not serve as access to counters, appliances or cabinets shall comply with Section 403.5

1103.12.1.1 Minimum clearance. Clearance between all opposing base cabinets, countertops, appliances, or walls within kitchen work areas shall be 40 inches (1015 mm) minimum.

1103.12.1.2 U-shaped kitchens. In kitchens with counters, appliances, or cabinets on three contiguous sides, clearance between all opposing base cabinets, countertops, appliances, or walls within kitchen work areas shall be 60 inches (1525 mm) minimum.

Exception: U-shaped kitchens with an island complying with Section 1103.12.1.1.

SECTION 1104 TYPE B UNITS KITCHENS

1104.12 Kitchens. Kitchens shall comply with Section 1104.12.

1104.12.1 Clearance. Clearance complying with Section 1104.12.1 shall be provided.

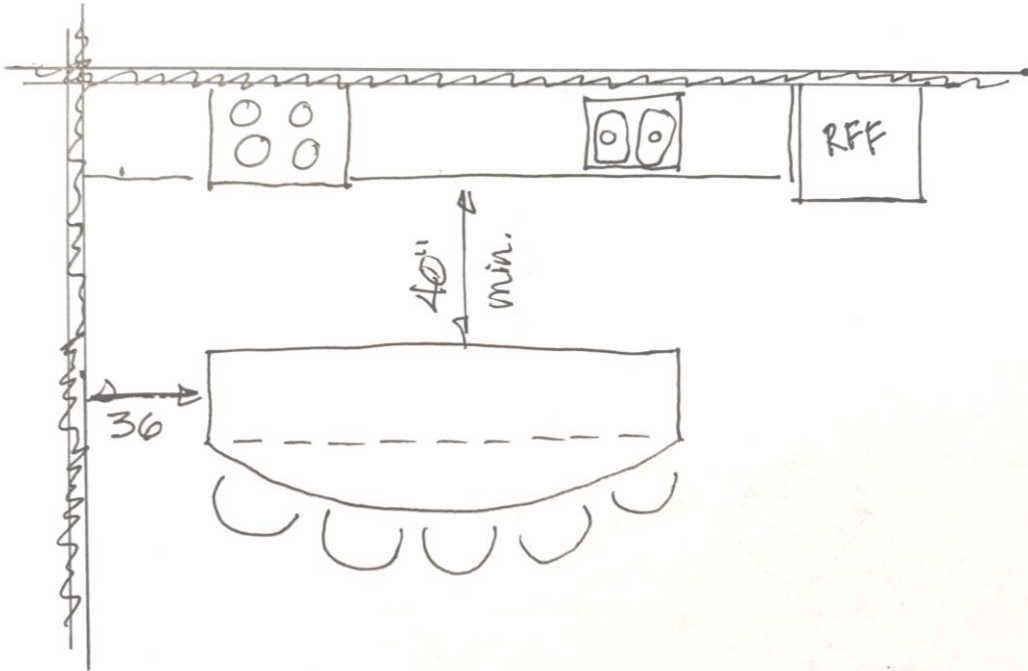
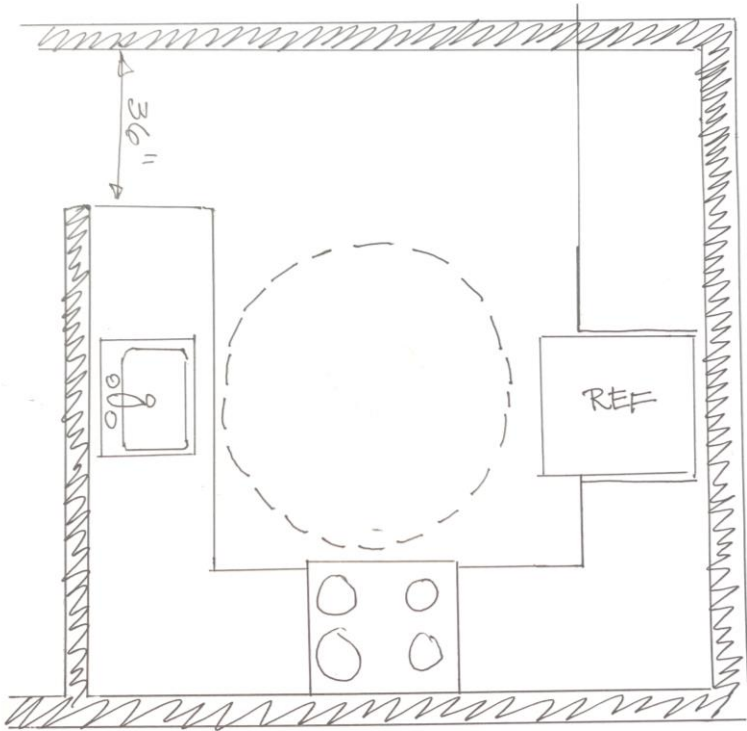
Exception: Circulation routes into kitchens that do not serve as access to counters, appliances or cabinets shall comply with Section 1104.3.

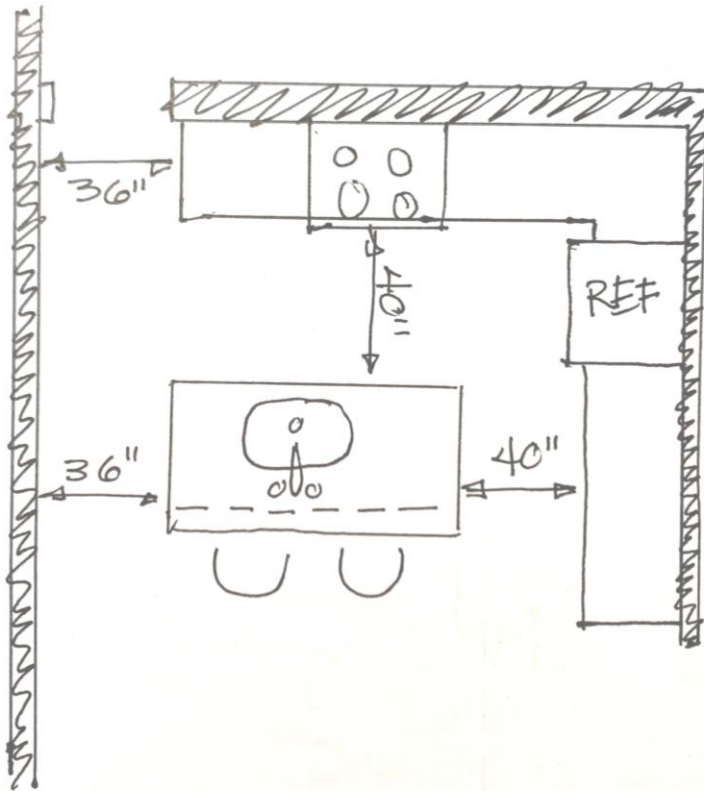
1104.12.1.1 Minimum clearance. Clearance between all opposing base cabinets, countertops, appliances, or walls within kitchen work areas shall be 40 inches (1015 mm) minimum.

1104.12.1.2 U-shaped kitchens. In kitchens with counters, appliances or cabinets on three contiguous sides, clearance between all opposing base cabinets, countertops, appliances, or walls within kitchen work areas shall be 60 inches (1525 mm) minimum.

Exception: U-shaped kitchens with an island complying with Section 1104.12.1.1.

REASON: There can be entrances to kitchens that go past the sides of cabinets and appliances, and do not provide the front access to use those cabinets or appliances. This should be allowed to use the 36" route width and not require the 40" as currently required in the standards.





Committee Action: AS AM D

1104.12.1.1-SCULLY.doc

| | | |
|--|-----------------------------------|----------------------------------|
| Report for 08-03-2021 | | |
| Committee decision: AS/AM/D | Committee Vote at Meeting: | Committee Vote on Ballot: |
| REPORT OF HEARING: | | |
| Modification (if any): | | |
| Committee Reason: | | |
| PUBLIC COMMENT- FIRST DRAFT: | | |
| Proponent: | | |
| Desired Action: | | |
| Modification: | | |
| Reason: | | |
| Committee decision: AS/AM/D | Committee Vote at Meeting: | Committee Vote on Ballot: |
| REPORT OF HEARING – FIRST DRAFT | | |
| Modification (if any): | | |
| Committee Reason: | | |
| PUBLIC COMMENT- SECOND DRAFT: | | |
| Proponent: | | |
| Desired Action: | | |
| Modification: | | |
| Reason: | | |
| Committee decision: AS/AM/D | Committee Vote at Meeting: | Committee Vote on Ballot: |
| FINAL ACTION: | | |
| Modification (if any): | | |
| Committee Reason: | | |

08-04 – 2021

804.2.1, 804.2.2

Proponent: Marsha Mazz, representing United Spinal Association

Revise as follows:

SECTION 804 KITCHENS

804.1 General. Kitchens shall comply with Section 804.

804.2 Clearance. Where a pass-through kitchen is provided, clearances shall comply with Section 804.2.1. Where a U-shaped kitchen is provided, clearances shall comply with Section 804.2.2. Kitchens where a cook top or conventional range is not provided shall comply with Section 804.2.3.

804.2.1 Pass-through kitchens. In pass-through kitchens where counters, appliances or cabinets are on two opposing sides, or where counters, appliances or cabinets are opposite a parallel wall, clearance between all opposing base cabinets, countertops, appliances, or walls within kitchen work areas shall be 40 inches (1015 mm) minimum measured at the narrowest point, excluding hardware and appliance controls. Pass-through kitchens shall have two entries.

804.2.2 U-shaped kitchens. In kitchens enclosed on three contiguous sides, clearance between all opposing base cabinets, countertops, appliances, or walls within kitchen work areas shall be 60 inches (1525 mm) minimum measured at the narrowest point, excluding hardware and appliance controls.

Exception: U-shaped kitchens with an island complying with Section 804.2.1.

REASON: Kitchens in Accessible dwelling units and those outside dwelling units must comply with Section 804. Please see our companion proposals to make the same change to Sections 110.3.12.1 and 1104.12.1 for Type A and Type B dwelling units.

Some inspectors include hardware when measuring between base cabinets and appliances, others do not. This proposal is intended to establish a clear measurement point. The narrowest kitchen clearance is 40 inches in width which is at least 4 inches wider than an accessible route, 8 inches where Exception 1 to Section 403.5.1 allows the route to reduce to 32 inches for a distance of 24 inches.

We considered modifying the provision to clarify that measurements are taken from the “face of” base cabinets and appliances. However, this would not resolve the question as to whether there is an option to measure from the face of the cabinet when the edge of the countertop extends further into the clearance. Consequently, we are proposing to require the measurement to be made at the narrowest point, excluding hardware and appliance controls.

Committee Action: AS AM D

| | | |
|--|-----------------------------------|----------------------------------|
| Report for 08-04- 2021 | | |
| <i>Committee decision: AS/AM/D</i> | <i>Committee Vote at Meeting:</i> | <i>Committee Vote on Ballot:</i> |
| REPORT OF HEARING: | | |
| Modification (if any): | | |
| Committee Reason: | | |
| PUBLIC COMMENT- FIRST DRAFT: | | |
| Proponent: | | |
| Desired Action: | | |
| Modification: | | |
| Reason: | | |
| <i>Committee decision: AS/AM/D</i> | <i>Committee Vote at Meeting:</i> | <i>Committee Vote on Ballot:</i> |
| REPORT OF HEARING – FIRST DRAFT | | |
| Modification (if any): | | |
| Committee Reason: | | |
| PUBLIC COMMENT- SECOND DRAFT: | | |
| Proponent: | | |
| Desired Action: | | |
| Modification: | | |
| Reason: | | |
| <i>Committee decision: AS/AM/D</i> | <i>Committee Vote at Meeting:</i> | <i>Committee Vote on Ballot:</i> |
| FINAL ACTION: | | |
| Modification (if any): | | |
| Committee Reason: | | |

08-05 – 2021
804.3

Proponent: Marsha Mazz, representing United Spinal Association

Revise as follows:

SECTION 804
KITCHENS

804.3 Work surface. At least one accessible work surface 30 inches minimum in length shall be provided in accordance with Section 902. The work surface shall be located in accordance with Section 804.5.5.2 or 804.5.5.3. The space above the leading 10 inches (255 mm) of the work surface shall be unobstructed. From 10 inches (255 mm) back from the leading edge to the wall or backsplash the space above the work surface shall be unobstructed to a height of 14 inches (355 mm) minimum.

Exception: Spaces that do not provide a cooktop or conventional range shall not be required to provide an accessible work surface.

REASON: The purpose of the kitchen work surface is to provide one countertop in the kitchen where someone using a wheelchair might prepare a meal. None of the other countertops are required to be at the appropriate height nor are they required to provide a forward approach which enables a person to use both hands to perform a task. Our inspectors frequently find microwaves or other equipment installed on the work surface defeating its intended purpose.

We believe that keeping the work surface clear is not only reasonable but fair. However, our proposal would allow a deep cabinet, shelf, or other element 12-14 inches deep to be installed above the work surface because it will not interfere with the usability of the work surface and could prove useful as a place to install countertop lighting.

Committee Action: AS AM D

804.3-MAZZ.doc

| | | |
|--|-----------------------------------|----------------------------------|
| Report for 08-05– 2021 | | |
| <i>Committee decision: AS/AM/D</i> | <i>Committee Vote at Meeting:</i> | <i>Committee Vote on Ballot:</i> |
| REPORT OF HEARING: | | |
| Modification (if any): | | |
| Committee Reason: | | |
| PUBLIC COMMENT- FIRST DRAFT: | | |
| Proponent: | | |
| Desired Action: | | |
| Modification: | | |
| Reason: | | |
| <i>Committee decision: AS/AM/D</i> | <i>Committee Vote at Meeting:</i> | <i>Committee Vote on Ballot:</i> |
| REPORT OF HEARING – FIRST DRAFT | | |
| Modification (if any): | | |
| Committee Reason: | | |
| PUBLIC COMMENT- SECOND DRAFT: | | |
| Proponent: | | |
| Desired Action: | | |
| Modification: | | |
| Reason: | | |

Report for 08-05- 2021*Committee decision: AS/AM/D**Committee Vote at Meeting:**Committee Vote on Ballot:***FINAL ACTION:**

Modification (if any):

Committee Reason:

08-06 – 2021
804.5.5.1

Proponent: Gene Boecker, Code Consultants, Inc.

Revise as follows:

SECTION 804
KITCHENS

804.5.5 Oven. Ovens shall comply with Section 804.5.5.

804.5.5.1 Clear floor space. A clear floor space shall be provided. The oven door in the open position shall not obstruct the clear floor space for the oven or the clear floor space for the work surface.

804.5.5.2 Side-hinged door ovens. Side-hinged door ovens shall have a work surface complying with Section 804.3 positioned adjacent to the latch side of the oven door.

804.5.5.3 Bottom-hinged door ovens. Bottom-hinged door ovens shall have a work surface complying with Section 804.3 positioned adjacent to one side of the door.

REASON: The purpose of the work surface is not only to have a place on which to prepare food but to have a place where containers removed from the oven can be placed as noted in the following two sections. It would do no good if the oven door in the open position overlaps the clear floor space for the work surface. This potential exists in L- and U-shaped kitchens.

Committee Action: AS AM D

804.5.5.1-BOECKER.doc

| | | |
|--|-----------------------------------|----------------------------------|
| Report for 08-06– 2021 | | |
| <i>Committee decision: AS/AM/D</i> | <i>Committee Vote at Meeting:</i> | <i>Committee Vote on Ballot:</i> |
| REPORT OF HEARING: | | |
| Modification (if any): | | |
| Committee Reason: | | |
| PUBLIC COMMENT- FIRST DRAFT: | | |
| Proponent: | | |
| Desired Action: | | |
| Modification: | | |
| Reason: | | |
| <i>Committee decision: AS/AM/D</i> | <i>Committee Vote at Meeting:</i> | <i>Committee Vote on Ballot:</i> |
| REPORT OF HEARING – FIRST DRAFT | | |
| Modification (if any): | | |
| Committee Reason: | | |
| PUBLIC COMMENT- SECOND DRAFT: | | |
| Proponent: | | |
| Desired Action: | | |
| Modification: | | |
| Reason: | | |
| <i>Committee decision: AS/AM/D</i> | <i>Committee Vote at Meeting:</i> | <i>Committee Vote on Ballot:</i> |
| FINAL ACTION: | | |
| Modification (if any): | | |
| Committee Reason: | | |

08-07 – 2021

804.6(New), 905.1, 905.4, 905.5(New), 1102.14, 1103.14

Proponent: Marsha Mazz, representing United Spinal Association

Add new section as follows:

**SECTION 804
KITCHENS**

804.6 Kitchen storage. Kitchen storage shall comply with Section 905.

Exception: Spaces that do not provide a cooktop or conventional range shall not be required to comply with this section.

Revise as follows:

**SECTION 905
STORAGE FACILITIES**

905.1 General. Built-in storage facilities, other than kitchen base cabinets and cabinets over counters, sinks and appliances, shall comply with ~~Section 905~~ Section 905.2 through 905.4. Kitchen base cabinets shall comply with Sections 905.2 and 905.5. Kitchen cabinets and cabinets over sinks and appliances shall comply with Section 905.2.

~~**Exception:** Kitchen cabinets shall not be required to comply with this section.~~

905.2 Clear floor space. A clear floor space shall be provided.

905.3 Height. Storage elements shall comply with at least one of the reach ranges specified in Section 308.

905.4 Operable parts. Operable parts of storage facilities shall comply with Section 309.

Exception: Operable parts of kitchen base cabinet storage space required to be moveable by Section 905.5 shall not be required to comply with Section 309.

905.5 Kitchen Cabinets. Kitchen base cabinets shall provide storage space capable of moving out beyond the face of the cabinet or revolving within the cabinet.

**SECTION 1102
ACCESSIBLE UNITS**

1102.14 Storage facilities. Where storage facilities are provided, ~~at least one of each type~~ they shall comply with Section 905.

~~**Exception:** Kitchen cabinets shall not be required to comply with Section 1102.14.~~

**SECTION 1103
TYPE A UNITS**

1103.14 Storage facilities. Where storage facilities are provided, ~~at least one of each type they~~ shall comply with Section 905.

Exception: ~~Kitchen cabinets shall not be required to comply with Section 1103.14.~~

Removable base cabinets permitted beneath sinks or work surfaces required to be accessible shall not be required to comply with this section.

REASON: This proposal attempts to solve a long-standing conflict between the ADA Standards which require 50% of kitchen storage to be within reach although it still may not be usable and, the ICC A117.1 which requires none of the storage to be within reach. We find both ADA and the 2017 Standard to be inadequate for different reasons and are attempting a compromise. If approved, these requirements would not apply to Type B units or to kitchens without a cooktop or conventional range.

Most aging-in-place and accessibility specialists agree that pull-out and revolving (lazy Susan-style) shelving affords better access to storage space than static shelving. Pull-out and revolving storage is commonplace in all types of kitchens, not just those designed to be accessible.

Therefore, we believe it is reasonable to require this type of storage for kitchens that will be used by people with disabilities to prepare meals. To maintain balance between cost and benefit, we:

1. applied the requirement only to base cabinets;
2. included an exception for spaces such as break rooms in business occupancies that do not provide cooktops or ranges; and
3. did not require the storage to be within reach because specifying reach begs the question as to which portion of the storage must be within reach e.g., the controls, the full depth of a shelf, or only the leading edge.

Committee Action: AS AM D

905.1et al-MAZZ.doc

| | | |
|--|-----------------------------------|----------------------------------|
| Report for 08-07– 2021 | | |
| <i>Committee decision: AS/AM/D</i> | <i>Committee Vote at Meeting:</i> | <i>Committee Vote on Ballot:</i> |
| REPORT OF HEARING: | | |
| Modification (if any): | | |
| Committee Reason: | | |
| PUBLIC COMMENT- FIRST DRAFT: | | |
| Proponent: | | |
| Desired Action: | | |
| Modification: | | |
| Reason: | | |
| <i>Committee decision: AS/AM/D</i> | <i>Committee Vote at Meeting:</i> | <i>Committee Vote on Ballot:</i> |
| REPORT OF HEARING – FIRST DRAFT | | |
| Modification (if any): | | |
| Committee Reason: | | |
| PUBLIC COMMENT- SECOND DRAFT: | | |
| Proponent: | | |
| Desired Action: | | |
| Modification: | | |
| Reason: | | |
| <i>Committee decision: AS/AM/D</i> | <i>Committee Vote at Meeting:</i> | <i>Committee Vote on Ballot:</i> |
| FINAL ACTION: | | |
| Modification (if any): | | |
| Committee Reason: | | |

08-08 – 2021
805.2.5(New)

Proponent: Billie Louise (Beezy) Bentzen, PhD., Accessible Design for the Blind, representing Association for the Education and Rehabilitation of the Blind and Visually Impaired (AER)

SECTION 805
TRANSPORTATION FACILITIES

805.2 Bus boarding and alighting areas. Bus boarding and alighting areas shall comply with Section 805.2.

Add new text as follows:

805.2.5 Platform edges. Platform edges not protected by platform screens or guards shall have a detectable warning complying with Section 705 extending the full length of the public use areas of the platform.

REASON: Draft PROWAAG requires detectable warnings at bus boarding platforms (See R305.1.4 below). This is very important in bus rapid transit systems These may not have been anticipated when the 2017 A117 was being developed.

R305.1.4 Size. Detectable warning surfaces shall extend 610 mm (2.0 ft) minimum in the direction of pedestrian travel. At curb ramps and blended transitions, detectable warning surfaces shall extend the full width of the ramp run (excluding any flared sides), blended transition, or turning space. At pedestrian at-grade rail crossings not located within a street or highway, detectable warnings shall extend the full width of the crossing. At boarding platforms for buses and rail vehicles, detectable warning surfaces shall extend the full length of the public use areas of the platform. At boarding and alighting areas at sidewalk or street level transit stops for rail vehicles, detectable warning surfaces shall extend the full length of the transit stop. The 2017 A117 does require detectable warnings at rail platforms (805.5.2).

Committee Action: AS AM D

805.2.5-BENTZEN.doc

| Report for 08-08- 2021 | | |
|--|-----------------------------------|----------------------------------|
| <i>Committee decision: AS/AM/D</i> | <i>Committee Vote at Meeting:</i> | <i>Committee Vote on Ballot:</i> |
| REPORT OF HEARING: | | |
| Modification (if any): | | |
| Committee Reason: | | |
| PUBLIC COMMENT- FIRST DRAFT: | | |
| Proponent: | | |
| Desired Action: | | |
| Modification: | | |
| Reason: | | |
| <i>Committee decision: AS/AM/D</i> | <i>Committee Vote at Meeting:</i> | <i>Committee Vote on Ballot:</i> |
| REPORT OF HEARING – FIRST DRAFT | | |
| Modification (if any): | | |
| Committee Reason: | | |
| PUBLIC COMMENT- SECOND DRAFT: | | |
| Proponent: | | |
| Desired Action: | | |
| Modification: | | |
| Reason: | | |

Report for 08-08- 2021*Committee decision: AS/AM/D**Committee Vote at Meeting:**Committee Vote on Ballot:***FINAL ACTION:**

Modification (if any):

Committee Reason:

08-09 – 2021

805.6

Proponent: Billie Louise (Beezy) Bentzen, PhD., Accessible Design for the Blind, representing Association for the Education and Rehabilitation of the Blind and Visually Impaired (AER)

Revise a follows:

805.6. Rail station signs. Rail station signs shall comply with Section 805.6.

~~**Exception:** Signs shall not be required to comply with Sections 805.6.1 and 805.6.2 where audible signs are remotely transmitted to hand held receivers or are user or proximity actuated.~~

805.6.1 Entrances. Where signs identify a station or a station entrance, at least one sign with raised characters and braille complying with Sections 703.3 and 703.4 shall be provided at each entrance.

805.6.2 Routes and destinations. Lists of stations, routes and destinations served by the station that are located on boarding areas, platforms or mezzanines shall have visual characters complying with Section 703.2. A minimum of one sign with raised characters and braille complying with Sections 703.3 and 703.4 shall be provided on each platform or boarding area to identify the specific station.

REASON: While there are some technologies still being explored for providing audible wayfinding information, none of them has much usage at this time. All of them require that users acquire, learn how to use, maintain, and carry some kind of device or special software, and make sure it is charged when they may need to use it. Many transit users who are vision disabled are not able to acquire and use the requisite technology, and a technology they may use in transit systems where they live may not be compatible with audible signage technology used in other transit systems. Wayfinding information such as lists of stations, routes and destinations served by the station, boarding area, platform, or mezzanine, that is routinely used by transit users can and should be provided in raised print and braille, and located in predictable places, to reduce the need for transit riders who are vision disabled to seek assistance from other passengers.

Committee Action: AS AM D

805.6-BENTZEN.doc

| Report for 08-09– 2021 | | |
|--|-----------------------------------|----------------------------------|
| <i>Committee decision: AS/AM/D</i> | <i>Committee Vote at Meeting:</i> | <i>Committee Vote on Ballot:</i> |
| REPORT OF HEARING: | | |
| Modification (if any): | | |
| Committee Reason: | | |
| PUBLIC COMMENT- FIRST DRAFT: | | |
| Proponent: | | |
| Desired Action: | | |
| Modification: | | |
| Reason: | | |
| <i>Committee decision: AS/AM/D</i> | <i>Committee Vote at Meeting:</i> | <i>Committee Vote on Ballot:</i> |
| REPORT OF HEARING – FIRST DRAFT | | |

| | | |
|--------------------------------------|-----------------------------------|----------------------------------|
| Report for 08-09– 2021 | | |
| Modification (if any): | | |
| Committee Reason: | | |
| PUBLIC COMMENT- SECOND DRAFT: | | |
| Proponent: | | |
| Desired Action: | | |
| Modification: | | |
| Reason: | | |
| Committee decision: AS/AM/D | Committee Vote at Meeting: | Committee Vote on Ballot: |
| FINAL ACTION: | | |
| Modification (if any): | | |
| Committee Reason: | | |

08-10 – 2021

805.6.1, 805.6.2

Proponent: Billie Louise (Beezy) Bentzen, PhD., Accessible Design for the Blind, representing Association for the Education and Rehabilitation of the Blind and Visually Impaired (AER)

Revise as follows:

SECTION 805 TRANSPORTATION FACILITIES

805.6. Rail station signs. Rail station signs shall comply with Section 805.6.

Exception: Signs shall not be required to comply with Sections 805.6.1 and 805.6.2 where audible signs are remotely transmitted to hand-held receivers or are user- or proximity-actuated.

~~**805.6.1 Entrances.** Where signs identify a station or a station entrance, at least one sign with raised characters and braille complying with Sections 703.3 and 703.4 shall be provided at each entrance.~~

~~**805.6.2 Routes and destinations.** Lists of stations, routes and destinations served by the station, boarding area, platform, or mezzanine, that are located on boarding areas, platforms, or mezzanines shall have visual characters complying with Section 703.2. Signs with raised characters and braille, containing lists of stations, routes and destinations served by the station, boarding area, platform, or mezzanine, containing the same information as is provided elsewhere on print signs, shall be mounted at the tops and bottoms of stairs and escalators and at elevator doors. A minimum of one sign with raised characters and braille complying with Sections 703.3 and 703.4 shall be provided on each platform or boarding area to identify the specific station.~~

REASON: While tactile signs at station entrances, and a single tactile sign on platforms or boarding areas have been required by ADAAG since, I believe, the first edition, I have always opposed these requirements. In more than 50 years as an orientation and mobility specialist teaching independent travel skills to people who are blind or who have low vision, I have never had a client who would consider even attempting to find such signs. They feel very vulnerable and conspicuous trying to find what is nearly a “needle in a haystack,” and are also reluctant to tactually explore around station entrances or each wall, post or pylon where a tactile sign might be mounted because the surfaces may be disgustingly unsanitary. This is not a skill that is taught or recommended in any textbook on teaching orientation and mobility.

On the other hand, tactile signs in predictable locations such as at the tops and bottoms of stairs and escalators as well as near elevator call buttons are relatively easy to find, and can contain information such as lists of stations, routes and destinations served by the station that greatly facilitates the independent use of transportation facilities by people with vision disabilities.

Asking strangers for wayfinding information has been found to be the least preferred way by people who are not vision disabled to get needed information. If the passenger cannot see or hear another person who is close by, and cannot judge whether a person they do detect is a person they would feel safe engaging with, and who is likely to have and be able to provide the answer to their question, asking a fellow passenger becomes an even more undesirable way to get information. Fear of getting confused or disoriented when traveling in transit environments often results in isolation for people who are vision disabled, or the use of alternative means of travel, such as paratransit (which is expensive for the traveler and even more so for the transit system), taxi, or friends or relatives whom they do not want to inconvenience. They have a civil right to this kind of wayfinding information in transit stations.

Committee Action: AS AM D

805.6.1-BENTZEN.doc

| | | |
|--|-----------------------------------|----------------------------------|
| Report for 08-10- 2021 | | |
| <i>Committee decision: AS/AM/D</i> | <i>Committee Vote at Meeting:</i> | <i>Committee Vote on Ballot:</i> |
| REPORT OF HEARING: | | |
| Modification (if any): | | |
| Committee Reason: | | |
| PUBLIC COMMENT- FIRST DRAFT: | | |
| Proponent: | | |
| Desired Action: | | |
| Modification: | | |
| Reason: | | |
| <i>Committee decision: AS/AM/D</i> | <i>Committee Vote at Meeting:</i> | <i>Committee Vote on Ballot:</i> |
| REPORT OF HEARING – FIRST DRAFT | | |
| Modification (if any): | | |
| Committee Reason: | | |
| PUBLIC COMMENT- SECOND DRAFT: | | |
| Proponent: | | |
| Desired Action: | | |
| Modification: | | |
| Reason: | | |
| <i>Committee decision: AS/AM/D</i> | <i>Committee Vote at Meeting:</i> | <i>Committee Vote on Ballot:</i> |
| FINAL ACTION: | | |
| Modification (if any): | | |
| Committee Reason: | | |

09-01 – 2021
903.2

Proponent: Kimberly Paarlberg, International Code Council

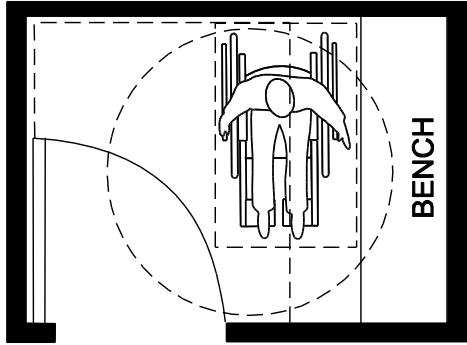
Revise as follows:

SECTION 903
BENCHES

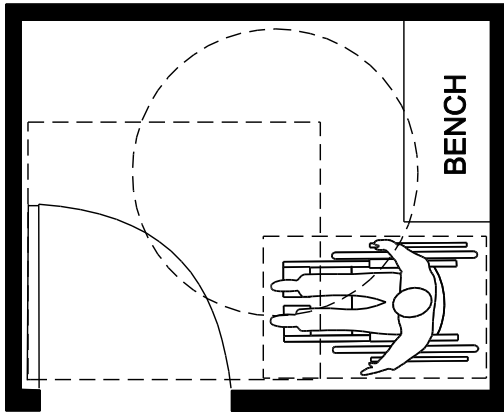
903.1 General. Benches shall comply with Section 903.

903.2 Clear floor space. A clear floor space complying with Section 305 positioned ~~at the end of the bench seat and~~ for a parallel approach ~~to the short axis of the bench~~ shall be provided.

REASON: This allowance was in the 2009 A117.1. The front approach was removed from the 2017 A117.1 as not specifically allowed in the 2010 ADA. However, the A117.1 continues to look for ways to exceed ADA. If you look at the approaches in the drawings, you can see that the option in the 2010 ADA requires someone to transfer to the front corner of the seat. The new option, in addition to providing a much larger transfer option, would allow for someone to be able to brace themselves in either corner of the bench, which allow for a safer option for changing clothes instead of risking falling off of one end.



OPTION 1



OPTION 2

Committee Action: AS AM D

903.2-PAARLBERG.doc

| | | |
|--|-----------------------------------|----------------------------------|
| Report for 09-01- 2021 | | |
| <i>Committee decision: AS/AM/D</i> | <i>Committee Vote at Meeting:</i> | <i>Committee Vote on Ballot:</i> |
| REPORT OF HEARING: | | |
| Modification (if any): | | |
| Committee Reason: | | |
| PUBLIC COMMENT- FIRST DRAFT: | | |
| Proponent: | | |
| Desired Action: | | |
| Modification: | | |
| Reason: | | |
| <i>Committee decision: AS/AM/D</i> | <i>Committee Vote at Meeting:</i> | <i>Committee Vote on Ballot:</i> |
| REPORT OF HEARING – FIRST DRAFT | | |
| Modification (if any): | | |
| Committee Reason: | | |
| PUBLIC COMMENT- SECOND DRAFT: | | |
| Proponent: | | |
| Desired Action: | | |
| Modification: | | |
| Reason: | | |
| <i>Committee decision: AS/AM/D</i> | <i>Committee Vote at Meeting:</i> | <i>Committee Vote on Ballot:</i> |
| FINAL ACTION: | | |
| Modification (if any): | | |
| Committee Reason: | | |

09-02 – 2021

904.3

Proponent: Marsha Mazz, United Spinal Association

Revise as follows:

SECTION 904

SALES AND SERVICE COUNTERS AND WINDOWS

904.1 General. Accessible sales and service counters and windows shall comply with Section 904 as applicable.

Exception: Drive-up only sales or service counters and windows are not required to comply with Section 904.

904.2 Approach. All portions of counters required to be accessible shall be located adjacent to a walking surface complying with Section 403.

904.3 Sales and service counters and windows. Sales and service counters and windows shall comply with Section 904.3.1 and either Section 904.3.2 or Section 904.3.3. Where counters are provided, the accessible portion of the countertop shall extend the same depth as the public portion of the sales and service countertop provided for standing customers and the surface shall be free of obstructions not related to the processing of transactions.

Exception: In alterations, when the provision of a counter complying with this section would result in a reduction of the number of existing counters at work stations or a reduction of the number of existing mail boxes, the counter shall be permitted to have a portion which is 24 inches (610 mm) minimum in length complying with Section 904.3.2 provided that the required clear floor space is centered on the accessible length of the counter.

REASON: In a stunning maneuver in support of allowing a business to crowd the small amount of accessible counter space afforded individuals with disabilities at sales and service counters with merchandise and other equipment, the U.S. Department of Justice Disability Rights Section submitted an Amicus Brief stating the following

“. . . nothing in Section 904.4.1 so much as mentions, much less requires, that the counter space required by the 2010 Standards be “clear.” Accordingly, Defendants’ alleged failure to provide 36 inches of clear counter space does not violate Section 904.4.1.”

For the full text, see https://www.ada.gov/briefs/johnson_starbucks_soi.pdf. Although we believe the intent of the provision is clear, there obviously is room for disagreement. This proposal attempts to strike a more reasonable balance by allowing equipment associated with the transaction to be installed on the countertop while at the same time prohibiting any clutter, not related to the transaction.

Committee Action:

AS

AM

D

904.3-MAZZ.doc

| Report for 09-02– 2021 | | |
|--|-----------------------------------|----------------------------------|
| Committee decision: AS/AM/D | Committee Vote at Meeting: | Committee Vote on Ballot: |
| REPORT OF HEARING: | | |
| Modification (if any): | | |
| Committee Reason: | | |
| PUBLIC COMMENT- FIRST DRAFT: | | |
| Proponent: | | |
| Desired Action: | | |
| Modification: | | |
| Reason: | | |
| Committee decision: AS/AM/D | Committee Vote at Meeting: | Committee Vote on Ballot: |
| REPORT OF HEARING – FIRST DRAFT | | |
| Modification (if any): | | |
| Committee Reason: | | |
| PUBLIC COMMENT- SECOND DRAFT: | | |
| Proponent: | | |
| Desired Action: | | |
| Modification: | | |
| Reason: | | |
| Committee decision: AS/AM/D | Committee Vote at Meeting: | Committee Vote on Ballot: |
| FINAL ACTION: | | |
| Modification (if any): | | |
| Committee Reason: | | |

09-03 – 2021

904.4.2, 904.4.3, 904.4.5(New)

Proponent: Kimberly Paarlberg, International Code Council

Revise as follows:

SECTION 904 SALES AND SERVICE COUNTERS AND WINDOWS

904.4 Checkout aisles. Checkout aisles shall comply with Section 904.4.

904.4.1 Aisle. Aisles shall comply with Section 403.

904.4.2 Cashier serviced check-out counters. Where cashier serviced check-out counters are provided, the checkout counter surface shall be 38 inches (965 mm) maximum in height above the floor. The top of the counter edge protection shall be 2 inches (51 mm) maximum above the top of the counter surface on the aisle side of the checkout counter.

904.4.3 Self-service check-out counters. Where self-service check-out counters are provided, the check-out counter surface and built-in scanner shall be 38 inches (965 mm) maximum in height above the floor. The operable parts, touch screen are permitted to be located 54 inches (1372 mm) maximum above the floor. Key pads shall comply with Sections 707.5 and 707.6.

~~904.4.3~~ 904.4.4 Check Writing Surfaces. Where provided, check writing surfaces shall comply with Section 902.4.

904.4.5 Self-bagging surfaces. Self bagging surfaces, where provided, shall be located within the reach ranges in accordance with Section 308.

REASON: The intent of this proposal is to provide criteria for the self-service style check out aisles.



Committee Action: AS AM D

904.4-PAARLBERG.doc

| | | |
|--|-----------------------------------|----------------------------------|
| Report for 09-03- 2021 | | |
| <i>Committee decision: AS/AM/D</i> | <i>Committee Vote at Meeting:</i> | <i>Committee Vote on Ballot:</i> |
| REPORT OF HEARING: | | |
| Modification (if any): | | |
| Committee Reason: | | |
| PUBLIC COMMENT- FIRST DRAFT: | | |
| Proponent: | | |
| Desired Action: | | |
| Modification: | | |
| Reason: | | |
| <i>Committee decision: AS/AM/D</i> | <i>Committee Vote at Meeting:</i> | <i>Committee Vote on Ballot:</i> |
| REPORT OF HEARING – FIRST DRAFT | | |
| Modification (if any): | | |
| Committee Reason: | | |
| PUBLIC COMMENT- SECOND DRAFT: | | |
| Proponent: | | |
| Desired Action: | | |
| Modification: | | |
| Reason: | | |
| <i>Committee decision: AS/AM/D</i> | <i>Committee Vote at Meeting:</i> | <i>Committee Vote on Ballot:</i> |
| FINAL ACTION: | | |
| Modification (if any): | | |
| Committee Reason: | | |

09-04 – 2021
904.6

Proponent: Marsha Mazz, representing United Spinal Association

Revise as follows:

SECTION 904
SALES AND SERVICE COUNTES AND WINDOWS

904.6 Security glazing. Where counters or teller windows have security glazing to separate personnel from the public, a method to facilitate voice communication shall be provided. Telephone handset devices, if provided, shall comply with Section 704.3. Where provided, operable parts of a voice communication system shall comply with Section 309.

REASON: This proposal remedies a problem our inspectors sometimes encounter. Telephone handsets and the operable parts of other types of voice communication equipment should be required to be within reach for persons using wheelchairs. Reference to Section 309 will ensure that the equipment is within reach and the operable parts meet the requirements for hand operation.

Committee Action: AS AM D

904.6-MAZZ.doc

| | | |
|--|-----------------------------------|----------------------------------|
| Report for 09-04– 2021 | | |
| <i>Committee decision: AS/AM/D</i> | <i>Committee Vote at Meeting:</i> | <i>Committee Vote on Ballot:</i> |
| REPORT OF HEARING: | | |
| Modification (if any): | | |
| Committee Reason: | | |
| PUBLIC COMMENT- FIRST DRAFT: | | |
| Proponent: | | |
| Desired Action: | | |
| Modification: | | |
| Reason: | | |
| <i>Committee decision: AS/AM/D</i> | <i>Committee Vote at Meeting:</i> | <i>Committee Vote on Ballot:</i> |
| REPORT OF HEARING – FIRST DRAFT | | |
| Modification (if any): | | |
| Committee Reason: | | |
| PUBLIC COMMENT- SECOND DRAFT: | | |
| Proponent: | | |
| Desired Action: | | |
| Modification: | | |
| Reason: | | |
| <i>Committee decision: AS/AM/D</i> | <i>Committee Vote at Meeting:</i> | <i>Committee Vote on Ballot:</i> |
| FINAL ACTION: | | |
| Modification (if any): | | |
| Committee Reason: | | |

09-05 – 2021
908(New)

Proponent: Kimberly Paarlberg, International Code Council

Add new text as follows:

SECTION 908
TRASH OR LINEN CHUTES

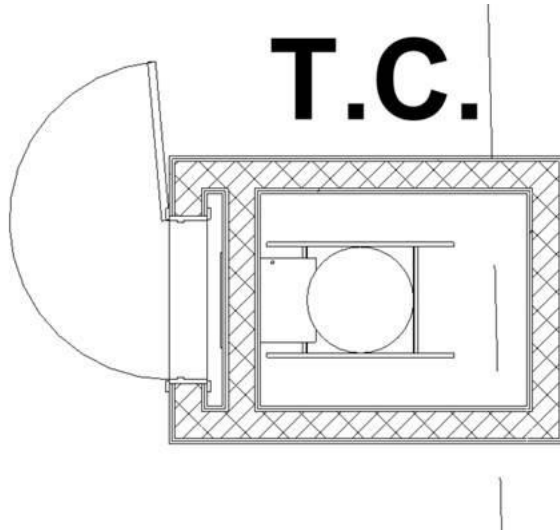
908.1 General. Waste, recycling and linen chutes serving Accessible and Type A units are required to be on an accessible route and comply with Section 908.2 through 908.4.

908.2 Doors to trash or linen chutes. Doors to waste, recycling and linen chutes rooms or trash or linen chute access panels shall comply with 404.

908.3 Trash or linen chute access panels. Access panels for waste, recycling and linen chutes shall have hardware complying with 404.2.6. The access panel opening forces shall have the minimum opening force allowable by the scoping provisions adopted by the appropriate administrative authority.

908.4 Room requirements. Where there is a room in front of the access panel for waste, recycling or linen chutes, a turning space shall be provided in the room and maneuvering clearances shall be provided on both sides of the door. Where the access panel for the waste, recycling or linen chute is located behind a corridor door, the door shall have a magnetic hold open that allows for automatic-closing upon the detection of smoke.

REASON: The purpose of this proposal is to provide technical criteria for accessibility for trash chutes and linen chutes. Since these are vertical shafts, the walls are required to be fire resistance rated. Both the door to the access the chute, and the door to the chute itself are required to be fire resistance rated. That requires closures and latches on the door.



2021 IBC

713.13 Waste, recycling and linen chutes and incinerator rooms. Waste, recycling and linen chutes shall comply with the provisions of NFPA 82, Chapter 6 and shall meet the requirements of Sections 712 and 713.13.1 through 713.13.6. Incinerator rooms shall meet the provisions of Sections 713.13.4 and 713.13.5.

Exception: Chutes serving and contained within a single *dwelling unit*.

713.13.1 Waste, recycling and linen chute enclosures. A *shaft enclosure* containing a recycling, waste or linen chute shall not be used for any other purpose and shall be enclosed in accordance with Section 713.4. A *shaft enclosure* shall be permitted to contain recycling and waste chutes. Openings into the *shaft*, from access rooms and discharge rooms, shall be protected in accordance with

this section and Section 716. Openings into chutes shall not be located in *corridors*. Doors into chutes shall be *self-closing*. Discharge doors shall be self- or automatic closing upon the actuation of a smoke detector in accordance with Section 716.2.6.6, except that heat-activated closing devices shall be permitted between the *shaft* and the discharge room.

713.13.2 Materials. A *shaft enclosure* containing a waste, recycling, or linen chute shall be constructed of materials as permitted by the building type of construction.

713.13.3 Chute access rooms. Access openings for waste, recycling or linen chutes shall be located in rooms or compartments enclosed by not less than 1-hour *fire barriers* constructed in accordance with Section 707 or *horizontal assemblies* constructed in accordance with Section 711, or both. Openings into the access rooms shall be protected by opening protectives having a *fire protection rating* of not less than 3/4 hour. Doors shall be self- or automatic-closing upon the detection of smoke in accordance with Section 716.2.6.6. The room or compartment shall be configured to allow the access door to the room or compartment to close and latch with the access panel to the chute in any position.

Committee Action: AS AM D

| | | |
|--|-----------------------------------|----------------------------------|
| Report for 09-05– 2021 | | |
| <i>Committee decision: AS/AM/D</i> | <i>Committee Vote at Meeting:</i> | <i>Committee Vote on Ballot:</i> |
| REPORT OF HEARING: | | |
| Modification (if any): | | |
| Committee Reason: | | |
| PUBLIC COMMENT- FIRST DRAFT: | | |
| Proponent: | | |
| Desired Action: | | |
| Modification: | | |
| Reason: | | |
| <i>Committee decision: AS/AM/D</i> | <i>Committee Vote at Meeting:</i> | <i>Committee Vote on Ballot:</i> |
| REPORT OF HEARING – FIRST DRAFT | | |
| Modification (if any): | | |
| Committee Reason: | | |
| PUBLIC COMMENT- SECOND DRAFT: | | |
| Proponent: | | |
| Desired Action: | | |
| Modification: | | |
| Reason: | | |
| <i>Committee decision: AS/AM/D</i> | <i>Committee Vote at Meeting:</i> | <i>Committee Vote on Ballot:</i> |
| FINAL ACTION: | | |
| Modification (if any): | | |
| Committee Reason: | | |

10-01 – 2021
1008.4.1.3.1

Proponent: Kimberly Paarlberg, International Code Council

Revise as follows:

SECTION 1008
PLAY AREAS

1008.4.1.3 Ground surfaces. Ground surfaces on accessible routes, clear floor spaces, and turning spaces shall comply with Section 1008.4.1.3.

1008.4.1.3.1 Surface condition. Ground surfaces shall be stable, firm and slip resistant. Ground surfaces shall be inspected and maintained regularly and frequently to ensure continued compliance with this requirement. Artificial turf on the accessible route shall comply with Section 302.2.

1008.4.1.3.2 Use zones. Ground surfaces located within use zones shall comply with ASTM F 1292 listed in Section 106.2.10.

REASON: Jennifer Skulski suggested we address artificial turf.

Committee Action: AS AM D

1008.4.3-PAARLBERG.doc

| | | |
|--|-----------------------------------|----------------------------------|
| Report for 10-01– 2021 | | |
| <i>Committee decision: AS/AM/D</i> | <i>Committee Vote at Meeting:</i> | <i>Committee Vote on Ballot:</i> |
| REPORT OF HEARING: | | |
| Modification (if any): | | |
| Committee Reason: | | |
| PUBLIC COMMENT- FIRST DRAFT: | | |
| Proponent: | | |
| Desired Action: | | |
| Modification: | | |
| Reason: | | |
| <i>Committee decision: AS/AM/D</i> | <i>Committee Vote at Meeting:</i> | <i>Committee Vote on Ballot:</i> |
| REPORT OF HEARING – FIRST DRAFT | | |
| Modification (if any): | | |
| Committee Reason: | | |
| PUBLIC COMMENT- SECOND DRAFT: | | |
| Proponent: | | |
| Desired Action: | | |
| Modification: | | |
| Reason: | | |
| <i>Committee decision: AS/AM/D</i> | <i>Committee Vote at Meeting:</i> | <i>Committee Vote on Ballot:</i> |
| FINAL ACTION: | | |
| Modification (if any): | | |
| Committee Reason: | | |

10-02 – 2021
1008.4.3.4

Proponent: Gene Boecker, Code Consultants, Inc.

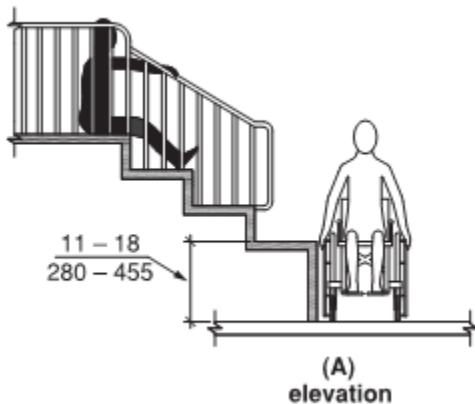
Revise as follows:

SECTION 1008
PLAY AREAS

1008.4.3.4 Entry points and seats. Where play components require transfer to entry points or seats, the entry points or seats shall be 11 inches (280 mm) minimum and 24 inches (610 mm) maximum from above the adjacent clear floor space.

Exception: Entry points of slides shall not be required to comply with this section.

REASON: Figure 1008.4.2.1 correctly shows the height of the transfer platform or seat. The text in Section 1004.4.2.1.2 is basically what this section is trying to say as well. Rather than rewrite the entire section, these simple changes make it clear that the 11 to 18 inches is a vertical dimension; not horizontal.



This has been a confusing section for many who apply the provisions to play components. The proposal clarifies the intent.

Committee Action: AS AM D

1008.4.3.4-BOECKER.doc

| | | |
|--|-----------------------------------|----------------------------------|
| Report for 10-02– 2021 | | |
| <i>Committee decision: AS/AM/D</i> | <i>Committee Vote at Meeting:</i> | <i>Committee Vote on Ballot:</i> |
| REPORT OF HEARING: | | |
| Modification (if any): | | |
| Committee Reason: | | |
| PUBLIC COMMENT- FIRST DRAFT: | | |
| Proponent: | | |
| Desired Action: | | |
| Modification: | | |
| Reason: | | |
| <i>Committee decision: AS/AM/D</i> | <i>Committee Vote at Meeting:</i> | <i>Committee Vote on Ballot:</i> |
| REPORT OF HEARING – FIRST DRAFT | | |

Report for 10-02- 2021

| | | |
|--------------------------------------|-----------------------------------|----------------------------------|
| Modification (if any): | | |
| Committee Reason: | | |
| PUBLIC COMMENT- SECOND DRAFT: | | |
| Proponent: | | |
| Desired Action: | | |
| Modification: | | |
| Reason: | | |
| Committee decision: AS/AM/D | Committee Vote at Meeting: | Committee Vote on Ballot: |
| FINAL ACTION: | | |
| Modification (if any): | | |
| Committee Reason: | | |

10-03 – 2021

1009, 1009.1, 1009.1.1, 1009.1.3

Proponent: Kimberly Paarlberg, International Code Council

Revise as follows:

SECTION 1009

SWIMMING POOLS, WADING POOLS, COLD BATHS, HOT TUBS AND SPAS

1009.1 General. Swimming pools, wading pools, cold baths, hot tubs and spas shall comply with Section 1009.

1009.1.1 Swimming pools. At least two accessible means of entry shall be provided for swimming pools. Accessible means of entry shall be swimming pool lifts complying with Section 1009.2; sloped entries complying with Section 1009.3; transfer walls complying with Section 1009.4, transfer systems complying with Section 1009.5; and pool stairs complying with Section 1009.6. At least one accessible means of entry provided shall comply with Section 1009.2 or 1009.3

Exceptions:

1. Where a swimming pool has less than 300 linear feet (91 m) of swimming pool wall, no more than one accessible means of entry shall be required.
2. Wave action pools, leisure rivers, sand bottom pools, and other pools where user access is limited to one area shall not be required to provide more than one accessible means of entry provided that the accessible means of entry is a swimming pool lift complying with Section 1009.2, a sloped entry complying with Section 1009.3, or a transfer system complying with Section 1009.5.
3. A catch pool ~~Catch pools~~ or a designated section of a pool used as a terminus for a water slide flume shall not be required to provide an *accessible* means of entry, provided that a portion of the catch pool edge is on an *accessible route* or, where the area at the catch pool edge is restricted to use by staff and persons exiting the pool, and an accessible route serves the gate or area where participants discharge from the activity.

1009.1.2 Wading pools. At least one sloped entry complying with Section 1009.3 shall be provided in wading pools.

1009.1.3 Cold baths, Hot tubs and spas. At least one accessible means of entry shall be provided for cold baths, hot tubs and spas. Accessible means of entry shall comply with swimming pool lifts complying with Section 1009.2; transfer walls complying with Section 1009.4; or transfer systems complying with Section 1009.5.

Exception: Where cold baths, hot tubs or spas are provided in a cluster, no more than 5 percent, but not less than one cold bath, hot tub or spa in each cluster shall be required to comply with Section 1009.1.3.

REASON: The change to the title of the section and Section 1009.1.3 are coordination with IBC code change E134-18 by Gene Boecker.

His reason was:

The proposal includes two changes: clarification that the intent is to have access to at least one of each type of aquatic element and the addition of cold baths.

As written, it could be interpreted that if a cluster included a hot tub and a spa as a cluster, access would only be required to one of those although they are different types of elements - with bubbles and without. The change makes the language consistent with the intent of the federal ADA.

The second is a change to include cold baths as another type. This is a different thermal experience and should be included, consistent with the intent of the ADA for equal access.

The change to 1009.1.1 is coordination with IBC code change E144-21 submitted by Marsha Mazz. *Her reason was:*

The "pool edge" of a catch pool serving a water slide is often located above ground on a platform. The purpose of the accessible route requirement to the "pool edge" is to ensure that parents and others with disabilities can meet-up with their parties after they disembark from the ride. This is particularly true for children who need to be under their parent's supervision once they exit the pool. Generally, persons entering and exiting amusement rides are surveilled when inside the pay area. So, when the pool edge is on a platform, an accessible route to the exit point should suffice.

Note: This interpretation does not represent a clearly settled matter under the 2010 ADA Standards. However, we would question the value of a ramp up to a pool edge on a raised platform given that the ride, itself, need not provide an accessible means of entry for a person with a mobility disability. Furthermore, people can often exit a catch pool at multiple points - nothing in the current provision ensures that the location of the accessible route is exactly the same place where any one rider will exit.

Committee Action: AS AM D

1008.4.3-PAARLBERG.doc

| Report for 10-03- 2021 | | |
|--|-----------------------------------|----------------------------------|
| <i>Committee decision: AS/AM/D</i> | <i>Committee Vote at Meeting:</i> | <i>Committee Vote on Ballot:</i> |
| REPORT OF HEARING: | | |
| Modification (if any): | | |
| Committee Reason: | | |
| PUBLIC COMMENT- FIRST DRAFT: | | |
| Proponent: | | |
| Desired Action: | | |
| Modification: | | |
| Reason: | | |
| <i>Committee decision: AS/AM/D</i> | <i>Committee Vote at Meeting:</i> | <i>Committee Vote on Ballot:</i> |
| REPORT OF HEARING – FIRST DRAFT | | |
| Modification (if any): | | |
| Committee Reason: | | |
| PUBLIC COMMENT- SECOND DRAFT: | | |
| Proponent: | | |
| Desired Action: | | |
| Modification: | | |
| Reason: | | |
| <i>Committee decision: AS/AM/D</i> | <i>Committee Vote at Meeting:</i> | <i>Committee Vote on Ballot:</i> |
| FINAL ACTION: | | |

Report for 10-03-2021

Modification (if any):

Committee Reason:

10-04 – 2021

1009.2.1

Proponent: Gene Boecker, Code Consultants, Inc.

Revise as follows:

SECTION 1009 SWIMMING POOLS, WADING POOLS, HOT TUBS AND SPAS

1009.2.1 Pool lift location. Pool lifts shall be fixed to the deck and located where the water level does not exceed 48 inches (1220 mm).

Exceptions:

1. Where the entire pool depth is greater than 48 inches (1220 mm), compliance with this section shall not be required.
2. Where multiple pool lift locations are provided, no more than one pool lift shall be required to be located in an area where the water level is 48 inches (1220 mm) maximum.

REASON: The text is not clear in that the pool lift must be fixed to the deck. This allows for an interpretation when portable lifts can be provided. The intent has always been that the pool lifts be fixed in place to always be available for use.

The US DOJ has noted on this issue of fixed lifts in their pool guidance “Accessible Pools Means of Entry and Exit.” For existing pools subject to title II, DOJ will allow portable lifts, but the message is clear that this is not a long-term solution.

A public entity determines which method it will use for meeting its program accessibility obligations. When structural changes are made to existing pools, including installation of a fixed pool lift, the changes must comply with the 2010 Standards. If a public entity chooses to acquire equipment (e.g., a portable lift) to provide program accessibility, the entity should select equipment that includes features required by the 2010 Standards, including independent operation by individuals with disabilities. Sharing accessible equipment between pools is not permitted, unless it would result in undue burdens to provide equipment at each one. Accessible pool features must be available whenever the facility is open to the public. When choosing to purchase equipment or to make structural changes, the public entity should factor in staff and financial resources required to maintain program accessibility.

Over time, a public entity will need to reassess its compliance with program accessibility, and it may become necessary to acquire new accessible equipment or make structural modifications. For more information about program accessibility, see the title II regulations at Section 35.150.

The same document has a similar statement on whether pool lifts purchased prior to the effective date must be fixed in place:

Because of a misunderstanding by some pool owners regarding whether the use of portable pool lifts would comply with barrier removal obligations, the Department, as a matter of prosecutorial discretion, will not enforce the fixed elements of the 2010 Standards against those owners or operators of existing pools who purchased portable lifts prior to March 15, 2012 and who keep the portable lifts in position for use at the pool and operational during all times that the pool is open to guests so long as those lifts otherwise comply with the requirements of the 2010 Standards. Generally, lifts purchased after March 15, 2012 must be fixed if it is readily achievable to do so.

Regarding new construction the document states:

The 2010 Standards, which set requirements for fixed elements and spaces, require that all new pool facilities built by State and local governments, public accommodations, and commercial facilities must be accessible to and usable by persons with disabilities.

It is clear from the DOJ guidance that the intent is to have the pool lift fixed in place.

Committee Action: AS AM D

1009.2.1-BOECKER.doc

| | | |
|--|-----------------------------------|----------------------------------|
| Report for 10-04- 2021 | | |
| Committee decision: AS/AM/D | Committee Vote at Meeting: | Committee Vote on Ballot: |
| REPORT OF HEARING: | | |
| Modification (if any): | | |
| Committee Reason: | | |
| PUBLIC COMMENT- FIRST DRAFT: | | |
| Proponent: | | |
| Desired Action: | | |
| Modification: | | |
| Reason: | | |
| Committee decision: AS/AM/D | Committee Vote at Meeting: | Committee Vote on Ballot: |
| REPORT OF HEARING – FIRST DRAFT | | |
| Modification (if any): | | |
| Committee Reason: | | |
| PUBLIC COMMENT- SECOND DRAFT: | | |
| Proponent: | | |
| Desired Action: | | |
| Modification: | | |
| Reason: | | |
| Committee decision: AS/AM/D | Committee Vote at Meeting: | Committee Vote on Ballot: |
| FINAL ACTION: | | |
| Modification (if any): | | |
| Committee Reason: | | |

10-05 – 2021
1009.2.2

Proponent: Gene Boecker, Code Consultants, Inc.

Revise as follows:

SECTION 1009
SWIMMING POOLS, WADING POOLS, HOT TUBS AND SPAS

1009.2.2 Seat location. In the raised position, the centerline of the seat shall be located over the deck and 16 inches (405 mm) minimum from the edge of the pool. The deck surface between the centerline of the seat and the pool edge shall have a slope not steeper than 1:48.

Exception: In exterior locations, changes in level complying with Section 303.3 shall be permitted between the centerline of the seat and the pool edge to limit rainwater from entering the pool area.

REASON: Although exterior deck should be designed to slope away from the pool to limit rainwater intrusion, in many places the rate of rainfall is insufficient to prevent rainwater from doing that very thing. Rainwater dilutes that chemical treatment of the pool water and may render the pool unusable for a substantial period of time depending on the dilution. Whether the 1/2-inch change is already allowed or not is subject to opinion. Adding the exception makes it clear that the condition is acceptable as an added protection against rainwater intrusion.

Committee Action: AS AM D

1009.2.2-BOECKER.doc

| | | |
|--|-----------------------------------|----------------------------------|
| Report for 10-05– 2021 | | |
| <i>Committee decision: AS/AM/D</i> | <i>Committee Vote at Meeting:</i> | <i>Committee Vote on Ballot:</i> |
| REPORT OF HEARING: | | |
| Modification (if any): | | |
| Committee Reason: | | |
| PUBLIC COMMENT- FIRST DRAFT: | | |
| Proponent: | | |
| Desired Action: | | |
| Modification: | | |
| Reason: | | |
| <i>Committee decision: AS/AM/D</i> | <i>Committee Vote at Meeting:</i> | <i>Committee Vote on Ballot:</i> |
| REPORT OF HEARING – FIRST DRAFT | | |
| Modification (if any): | | |
| Committee Reason: | | |
| PUBLIC COMMENT- SECOND DRAFT: | | |
| Proponent: | | |
| Desired Action: | | |
| Modification: | | |
| Reason: | | |
| <i>Committee decision: AS/AM/D</i> | <i>Committee Vote at Meeting:</i> | <i>Committee Vote on Ballot:</i> |
| FINAL ACTION: | | |
| Modification (if any): | | |
| Committee Reason: | | |

11-01 – 2021

1102.3.2, 1103.3.2

Proponent: Kimberly Paarlberg, International Code Council

Revise as follows:

SECTION 1102 ACCESSIBLE UNITS

1102.3.2 Turning space. All rooms served by an accessible route shall provide a turning space.

Exceptions:

1. A turning space shall not be required in toilet rooms and bathrooms that are not required to comply with Section 1102.11.2.
2. A turning space is not required within closets or pantries ~~that are 48 inches (1220 mm) maximum in depth~~ with any of the following configurations:
 - 2.1. Where a swinging door swings into a closet or pantry and a clear floor space complying with Section 305.3 is not provided beyond the arc of the door swing
 - 2.2. Where a swinging door swings out from the closet or pantry and a clear floor space is not provided within the space.
 - 2.3. Where a sliding or folding door provides access to the closet or pantry and the space is defined by closet rods, shelving, counters, casework or walls.
3. Exterior balconies are not required to comply with this section.

SECTION 1103 TYPE A UNITS

1103.3.2 Turning space. All rooms served by an accessible route shall provide a turning space.

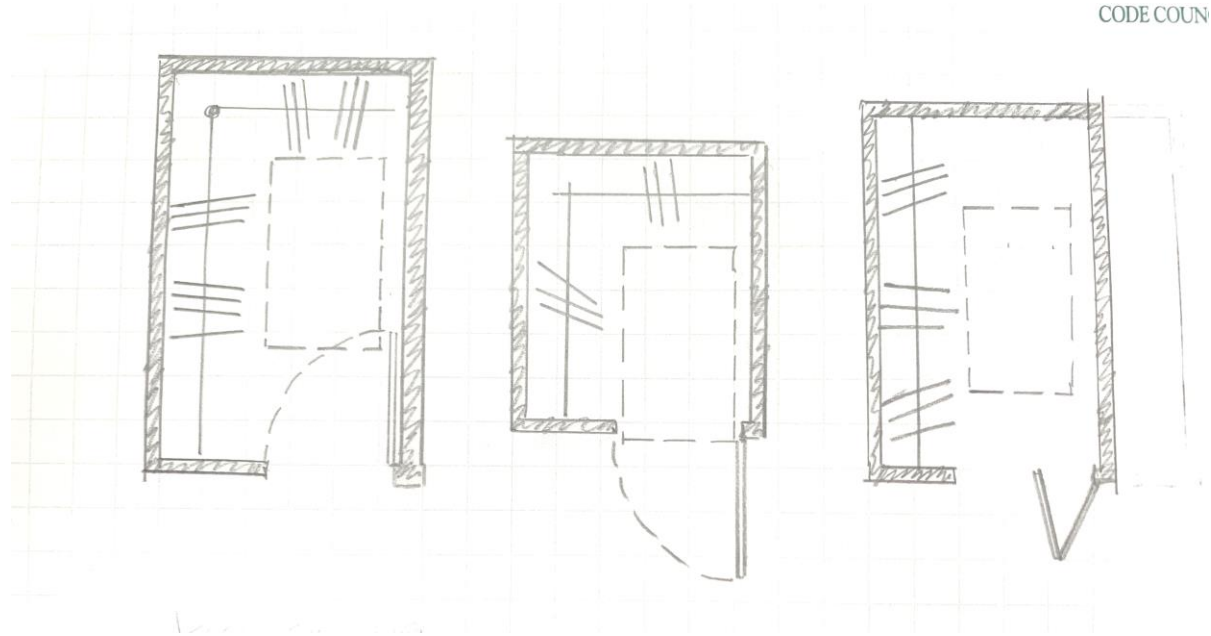
Exceptions:

1. A turning space is not required in toilet rooms and bathrooms that are not required to comply with Section 1103.11.2.
2. A turning space is not required within closets or pantries ~~that are 48 inches (1220 mm) maximum in depth~~ with any of the following configurations:
 - 2.1. Where a swinging door swings into a closet or pantry and a clear floor space complying with Section 305.3 is not provided beyond the arc of the door swing
 - 2.2. Where a swinging door swings out from the closet or pantry and a clear floor space is not provided within the space.
 - 2.3. Where a sliding or folding door provides access to the closet or pantry and the space is defined by closet rods, shelving, counters, casework or walls.
3. Exterior balconies are not required to comply with this section.

REASON: This proposal deals with two different issues that ICC gets questions on often.

The first issue is for pantries and closets. The intent is that moving into the room should not become an entrapment issue if the door swings shut behind you. The measurement for 48”

deep is based on the 30" by 48" clear floor space. These options would still require that option (adding the new clear floor space size) but also add two new options 2.2) the option for have the door swing in and the person moving into the room not allowing for the door to close, or 2.3) using the types of doors that do not slide shut so someone could back out.



The 2nd issue is the new Item 3. The 2010 ADA does include a similar exception. The 2009 ICC A117.1 removed the exception because 1) they felt that a balcony was not a room, so a turning space was not required; and 2) this the size addressed in Section 1102.5 Exp. 6. ICC is still getting calls assuming that the exception was removed because A117.1 wanted all balconies enlarged. It is my understanding that this was not the intent. The 2010 ADA text is:

809 Residential Dwelling Units

809.2.2 Turning Space. All rooms served by an *accessible* route shall provide a turning *space* complying with 304.

EXCEPTION: Turning *space* shall not be required in exterior *spaces* 30 inches (760 mm) maximum in depth or width.

Below are two examples of balconies that A117.1 would exempt with current text.



Small balcony

Juliet balcony

Committee Action: AS AM D

1102.3.2-PAARLBERG.doc

| | | |
|--|-----------------------------------|----------------------------------|
| Report for 11-01– 2021 | | |
| <i>Committee decision: AS/AM/D</i> | <i>Committee Vote at Meeting:</i> | <i>Committee Vote on Ballot:</i> |
| REPORT OF HEARING: | | |
| Modification (if any): | | |
| Committee Reason: | | |
| PUBLIC COMMENT- FIRST DRAFT: | | |
| Proponent: | | |
| Desired Action: | | |
| Modification: | | |
| Reason: | | |
| <i>Committee decision: AS/AM/D</i> | <i>Committee Vote at Meeting:</i> | <i>Committee Vote on Ballot:</i> |
| REPORT OF HEARING – FIRST DRAFT | | |
| Modification (if any): | | |
| Committee Reason: | | |
| PUBLIC COMMENT- SECOND DRAFT: | | |
| Proponent: | | |
| Desired Action: | | |
| Modification: | | |
| Reason: | | |
| <i>Committee decision: AS/AM/D</i> | <i>Committee Vote at Meeting:</i> | <i>Committee Vote on Ballot:</i> |
| FINAL ACTION: | | |
| Modification (if any): | | |
| Committee Reason: | | |

11-02 – 2021

1102.5, 1103.5

Proponent: Kimberly Paarlberg, International Code Council

Revise as follows:

SECTION 1102 ACCESSIBLE UNITS

1102.5 Doors and doorways. The primary entrance door to the unit, and all other doorways intended for user passage, shall comply with Section 404.

Exceptions:

1. Existing doors to hospital patient sleeping rooms shall be exempt from the requirement for space at the latch side provided the door is 44 inches (1120 mm) minimum in width.
2. In toilet rooms and bathrooms not required to comply with Section 1102.11.2, maneuvering clearances required by Section 404.2.3 shall not be required on the toilet room or bathroom side of the door.
3. A turning space between doors in a series as required by Section 404.2.5 is not required.
4. Storm and screen doors shall not be required to comply with Section 404.2.5.
5. Communicating doors between individual sleeping units shall not be required to comply with Section 404.2.5.
6. At other than the primary entrance door, where exterior space dimensions of balconies are less than the required maneuvering clearance, door maneuvering clearance is not required on the exterior side of the door.
7. The maneuvering clearances required by Section 404 shall not be required within a closet or pantry complying with Exception 2 of Section 1102.3.2.
8. Doors from individual *dwelling* or *sleeping units* are permitted to be equipped with a night latch, dead bolt or security chain within reach ranges, provided such devices are openable from the inside without the use of a key or tool.

SECTION 1103 TYPE A UNITS

1103.5 Doors and doorways. The primary entrance door to the unit, and all other doorways intended for user passage, shall comply with Section 404.

Exceptions:

1. Thresholds at exterior sliding doors shall be permitted to be $\frac{3}{4}$ inch (19 mm) maximum in height, provided they are beveled with a slope not greater than 1:2.
2. In toilet rooms and bathrooms not required to comply with Section 1103.11.2, maneuvering clearances required by Section 404.2.3 shall not be required on the toilet room or bathroom side of the door.

3. A turning space between doors in a series as required by Section 404.2.5 is not required.
4. Storm and screen doors shall not be required to comply with Section 404.2.5.
5. Communicating doors between individual sleeping units shall not be required to comply with Section 404.2.5.
6. At other than the primary entrance door, where exterior space dimensions of balconies are less than the required maneuvering clearance, door maneuvering clearance is not required on the exterior side of the door.
7. The maneuvering clearances required by Section 404 shall not be required within a closet or pantry complying with Exception 2 of Section 1103.3.2.
8. Doors from individual *dwelling* or *sleeping units* are permitted to be equipped with a night latch, dead bolt or security chain within reach ranges, provided such devices are openable from the inside without the use of a key or tool.

REASON: The reference to Section 404 picks up door hardware in Section 404.2.6. Accessible and Type A units should be permitted to have security locking devices if desired. This would allow for hardware within reach ranges, which is slightly more area than the hardware allowances.

Committee Action: AS AM D

1102.5-2-PAARLBERG.doc

| | | |
|--|-----------------------------------|----------------------------------|
| Report for 11-02- 2021 | | |
| <i>Committee decision: AS/AM/D</i> | <i>Committee Vote at Meeting:</i> | <i>Committee Vote on Ballot:</i> |
| REPORT OF HEARING: | | |
| Modification (if any): | | |
| Committee Reason: | | |
| PUBLIC COMMENT- FIRST DRAFT: | | |
| Proponent: | | |
| Desired Action: | | |
| Modification: | | |
| Reason: | | |
| <i>Committee decision: AS/AM/D</i> | <i>Committee Vote at Meeting:</i> | <i>Committee Vote on Ballot:</i> |
| REPORT OF HEARING – FIRST DRAFT | | |
| Modification (if any): | | |
| Committee Reason: | | |
| PUBLIC COMMENT- SECOND DRAFT: | | |
| Proponent: | | |
| Desired Action: | | |
| Modification: | | |
| Reason: | | |
| <i>Committee decision: AS/AM/D</i> | <i>Committee Vote at Meeting:</i> | <i>Committee Vote on Ballot:</i> |
| FINAL ACTION: | | |
| Modification (if any): | | |
| Committee Reason: | | |

11-03 – 2021

1102.5

Proponent: Kimberly Paarlberg, International Code Council

Revise as follows:

SECTION 1102 ACCESSIBLE UNITS

1102.5 Doors and doorways. The primary entrance door to the unit, and all other doorways intended for user passage, shall comply with Section 404.

Exceptions:

1. ~~Existing doors~~ Doors to hospital patient sleeping rooms shall be exempt from the requirement for space at the latch side provided the door is 44 inches (1120 mm) minimum in width.
2. In toilet rooms and bathrooms not required to comply with Section 1102.11.2, maneuvering clearances required by Section 404.2.3 shall not be required on the toilet room or bathroom side of the door.
3. A turning space between doors in a series as required by Section 404.2.5 is not required.
4. Storm and screen doors shall not be required to comply with Section 404.2.5.
5. Communicating doors between individual sleeping units shall not be required to comply with Section 404.2.5.
6. At other than the primary entrance door, where exterior space dimensions of balconies are less than the required maneuvering clearance, door maneuvering clearance is not required on the exterior side of the door.
7. The maneuvering clearances required by Section 404 shall not be required within a closet or pantry complying with Exception 2 of Section 1102.3.2.

REASON: The intent of this proposal is to coordinate requirements for hospital patient rooms with the 2010 ADA Exception to Section 404.2.4. The trade-offs here need to be considered. The extra width (44”) of the door allows for additional space to operate the door if the door is closed. Hospitals typically need to design bathrooms that are not only accessible; but may allow for assisted toileting and bathing. The typical configuration of hospital rooms has the bathroom at the corridor side of the room. The extra space at the door would result in less space for the toilet rooms. In hospitals the staff needs to maintain direct supervision of patients, so doors are typically not closed. So the loss of the space in the bathroom for a maneuvering clearances that would very seldom, if ever, needed, is not a good trade off and actually could decrease accessibility in the bathroom.

404.2.4 Maneuvering Clearances. Minimum maneuvering clearances at doors and gates shall comply with 404.2.4. Maneuvering clearances shall extend the full width of the doorway and the required latch side or hinge side clearance.

EXCEPTION: Entry doors to hospital patient rooms shall not be required to provide the clearance beyond the latch side of the door.

Committee Action: AS AM D

1102.5-PAARLBERG.doc

| | | |
|--|-----------------------------------|----------------------------------|
| Report for 11-03- 2021 | | |
| <i>Committee decision: AS/AM/D</i> | <i>Committee Vote at Meeting:</i> | <i>Committee Vote on Ballot:</i> |
| REPORT OF HEARING: | | |
| Modification (if any): | | |
| Committee Reason: | | |
| PUBLIC COMMENT- FIRST DRAFT: | | |
| Proponent: | | |
| Desired Action: | | |
| Modification: | | |
| Reason: | | |
| <i>Committee decision: AS/AM/D</i> | <i>Committee Vote at Meeting:</i> | <i>Committee Vote on Ballot:</i> |
| REPORT OF HEARING – FIRST DRAFT | | |
| Modification (if any): | | |
| Committee Reason: | | |
| PUBLIC COMMENT- SECOND DRAFT: | | |
| Proponent: | | |
| Desired Action: | | |
| Modification: | | |
| Reason: | | |
| <i>Committee decision: AS/AM/D</i> | <i>Committee Vote at Meeting:</i> | <i>Committee Vote on Ballot:</i> |
| FINAL ACTION: | | |
| Modification (if any): | | |
| Committee Reason: | | |

11-04 – 2021
1102.15.1, 1102.15.2

Proponent: Gene Boecker, Code Consultants, Inc.

Revise as follows:

SECTION 1102
ACCESSIBLE UNITS

1102.15.1 Clear floor space. A clear floor space complying with Section 305 shall be provided on both sides of the bed. The clear floor space shall be positioned for parallel approach to the side of the bed with the entire length of the wheelchair space positioned next to the mattress.

Exception: Where a single clear floor space positioned for parallel approach is provided between two beds, a clear floor space shall not be required on both sides of the bed.

1102.15.2 Bed frames. At least one bed shall be provided with an open bed frame. Where the exception to Section 1102.15.1 is used, both beds shall have open frames.

REASON: A transfer from a mobility device to the bed needs to happen next to the bed. However, the current text does not address where the wheelchair space needs to be. We have always argued that it needs to be adjacent to the mattress for its entire length, but the text does not specifically state that. Nor does the location address the reason for the open frame. This proposal addresses both.

The change to 1102.15.1 specifically requires the wheelchair space to have the long side adjacent to the mattress.

The change to 1102.15.2 is to correct an oversight. If the exception to 1102.15.1 is used and only one bed has an open frame, then the transfer to the bed may not be possible as intended. Requiring both beds to have an open frame will allow the option intended by the exception to 1102.15.1.

Committee Action: AS AM D

1102.15-BOECKER.doc

| | | |
|--|-----------------------------------|----------------------------------|
| Report for 11-04- 2021 | | |
| <i>Committee decision: AS/AM/D</i> | <i>Committee Vote at Meeting:</i> | <i>Committee Vote on Ballot:</i> |
| REPORT OF HEARING: | | |
| Modification (if any): | | |
| Committee Reason: | | |
| PUBLIC COMMENT- FIRST DRAFT: | | |
| Proponent: | | |
| Desired Action: | | |
| Modification: | | |
| Reason: | | |
| <i>Committee decision: AS/AM/D</i> | <i>Committee Vote at Meeting:</i> | <i>Committee Vote on Ballot:</i> |
| REPORT OF HEARING – FIRST DRAFT | | |
| Modification (if any): | | |
| Committee Reason: | | |
| PUBLIC COMMENT- SECOND DRAFT: | | |
| Proponent: | | |
| Desired Action: | | |

Report for 11-04-2021

Modification:

Reason:

Committee decision: AS/AM/D

Committee Vote at Meeting:

Committee Vote on Ballot:

FINAL ACTION:

Modification (if any):

Committee Reason:

11-05 – 2021
1103.3.2

Proponent: Gene Boecker, Code Consultants, Inc.

Revise as follows:

SECTION 1103
TYPE A UNITS

1103.3.2 Turning space. All rooms served by an accessible route shall provide a turning space complying with Section 304.

REASON: The added text points to the section of the standard where turning spaces are described. It is not intended to be a technical change. This is only for clarity. But since the turning space provision changed it would be helpful to let the reader know where to look for the requirement.

Committee Action: AS AM D

1103.3.2-BOECKER.doc

| | | |
|--|-----------------------------------|----------------------------------|
| Report for 11-05– 2021 | | |
| <i>Committee decision: AS/AM/D</i> | <i>Committee Vote at Meeting:</i> | <i>Committee Vote on Ballot:</i> |
| REPORT OF HEARING: | | |
| Modification (if any): | | |
| Committee Reason: | | |
| PUBLIC COMMENT- FIRST DRAFT: | | |
| Proponent: | | |
| Desired Action: | | |
| Modification: | | |
| Reason: | | |
| <i>Committee decision: AS/AM/D</i> | <i>Committee Vote at Meeting:</i> | <i>Committee Vote on Ballot:</i> |
| REPORT OF HEARING – FIRST DRAFT | | |
| Modification (if any): | | |
| Committee Reason: | | |
| PUBLIC COMMENT- SECOND DRAFT: | | |
| Proponent: | | |
| Desired Action: | | |
| Modification: | | |
| Reason: | | |
| <i>Committee decision: AS/AM/D</i> | <i>Committee Vote at Meeting:</i> | <i>Committee Vote on Ballot:</i> |
| FINAL ACTION: | | |
| Modification (if any): | | |
| Committee Reason: | | |

11-06 – 2021

1103.5

Proponent: Kimberly Paarlberg, International Code Council

Revise as follows:

SECTION 1103 TYPE A UNITS

1103.5 Doors and doorways. The primary entrance door to the unit, and all other doorways intended for user passage, shall comply with Section 404.

Exceptions:

1. Thresholds at exterior sliding doors shall be permitted to be ³/₄ inch (19 mm) maximum in height, provided they are beveled with a slope not greater than 1:2.
2. In toilet rooms and bathrooms not required to comply with Section 1103.11.2, maneuvering clearances required by Section 404.2.3 shall not be required on the toilet room or bathroom side of the door.
3. A turning space between doors in a series as required by Section 404.2.5 is not required.
4. Storm and screen doors shall not be required to comply with Section 404.2.5.
5. Communicating doors between individual sleeping units shall not be required to comply with Section 404.2.5.
6. At other than the primary entrance door, where exterior space dimensions of balconies are less than the required maneuvering clearance, the door maneuvering clearance required by Section 404.2.3 is not required on the exterior side of the door.
7. The maneuvering clearances required by Section ~~404~~ 404.2.3 shall not be required within a closet or pantry complying with Exception 2 of Section 1103.3.2.

REASON: The purpose is a technical cleanup for doors in Type A units so that the exceptions are limited. I believe this is editorial.

Committee Action: AS AM D

1103.5-PAARLBERG.doc

| Report for 11-06– 2021 | | |
|--|----------------------------|---------------------------|
| Committee decision: AS/AM/D | Committee Vote at Meeting: | Committee Vote on Ballot: |
| REPORT OF HEARING: | | |
| Modification (if any): | | |
| Committee Reason: | | |
| PUBLIC COMMENT- FIRST DRAFT: | | |
| Proponent: | | |
| Desired Action: | | |
| Modification: | | |
| Reason: | | |
| Committee decision: AS/AM/D | Committee Vote at Meeting: | Committee Vote on Ballot: |
| REPORT OF HEARING – FIRST DRAFT | | |
| Modification (if any): | | |
| Committee Reason: | | |
| PUBLIC COMMENT- SECOND DRAFT: | | |

Report for 11-06– 2021

| | | |
|------------------------------------|-----------------------------------|----------------------------------|
| Proponent: | | |
| Desired Action: | | |
| Modification: | | |
| Reason: | | |
| Committee decision: AS/AM/D | Committee Vote at Meeting: | Committee Vote on Ballot: |
| FINAL ACTION: | | |
| Modification (if any): | | |
| Committee Reason: | | |

11-07 – 2021

1103.9

Proponent: Kimberly Paarlberg, International Code Council

Revise as follows:

SECTION 1103 TYPE A UNITS

1103.9 Operable parts. Lighting controls, electrical panelboards, electrical switches and receptacle outlets, environmental controls, appliance controls, plumbing fixture controls, and user controls for security or intercom systems shall comply with Section 309.

Exception: Within kitchens and bathrooms, lighting controls, electrical switches and receptacle outlets are permitted to be located over cabinets with countertops 36 inches (915 mm) maximum in height and 25¹/₂ inches (650 mm) maximum in depth.

REASON: The purpose of this proposal is to allow for Type A units to use standard kitchen cabinets with an ‘adaptable’ area for the sink and work surface. This is the same allowance as currently in Type B units, Section 1104.9 Exception 8.

I believe this was always the intent for these units. While it is not ‘adaptable’ to lower all the cabinets, if someone is permanently living in a space, they can leave items plugged in or have extension cords or power strips. The lower counters cause an issue with the height of undercounter appliances like dishwashers and trash compactors; and create a 2” drop on each side of a standard range. Being able to slide pots off the cooking surface onto a countertop is an important safety feature for person with limited strength. The lower cabinets are also an additional cost over stock cabinets. Let the money be spent on items that improve access, like pull out shelves or more drawers.

The argument of Type A units costing too much and residents objecting to the lower counters has resulted in Indiana totally deleting Type A units as a requirement in the state.

Committee Action: AS AM D

1103.9-PAARLBERG.doc

| | | |
|--|-----------------------------------|----------------------------------|
| Report for 11-07– 2021 | | |
| <i>Committee decision: AS/AM/D</i> | <i>Committee Vote at Meeting:</i> | <i>Committee Vote on Ballot:</i> |
| REPORT OF HEARING: | | |
| Modification (if any): | | |
| Committee Reason: | | |
| PUBLIC COMMENT- FIRST DRAFT: | | |
| Proponent: | | |
| Desired Action: | | |
| Modification: | | |
| Reason: | | |
| <i>Committee decision: AS/AM/D</i> | <i>Committee Vote at Meeting:</i> | <i>Committee Vote on Ballot:</i> |
| REPORT OF HEARING – FIRST DRAFT | | |
| Modification (if any): | | |

Report for 11-07- 2021

Committee Reason:

PUBLIC COMMENT- SECOND DRAFT:

Proponent:

Desired Action:

Modification:

Reason:

Committee decision: AS/AM/D**Committee Vote at Meeting:****Committee Vote on Ballot:****FINAL ACTION:**

Modification (if any):

Committee Reason:

11-08 – 2021

1103.9, 1104.9

Proponent: Edward Steinfeld, IDEA Center, University at Buffalo, RESNA

Revise as follows:

SECTION 1103 TYPE A UNITS

1103.9 Operable parts. Lighting controls, electrical panelboards, electrical switches and receptacle outlets, environmental controls, appliance controls, plumbing fixture controls, and user controls for security or intercom systems shall comply with Section 309.

Exception: Electrical panelboards that are locked and not available to the occupants are not required to be accessible.

SECTION 1104 TYPE B UNITS

1104.9 Operable parts. Lighting controls, electrical switches and receptacle outlets, environmental controls, electrical panelboards, and user controls for security or intercom systems shall comply with Sections 309.3 and 1104.1.1.

Exceptions:

1. Receptacle outlets serving a dedicated use.
2. In a kitchen where two or more receptacle outlets are provided above a length of countertop that is uninterrupted by a sink or appliance, only one receptacle outlet shall be required to comply with this section.
3. In a kitchen where a clear floor space for a parallel approach cannot be located at a countertop in a corner between appliances, receptacle outlets over the countertop shall not be required to comply with this section provided that the countertop area does not exceed 9 square feet (0.835 m²) maximum.
4. Floor receptacle outlets.
5. HVAC diffusers.
6. Controls mounted on ceiling fans.
7. Controls or switches mounted on appliances.
8. Plumbing fixture controls.
9. Reset buttons and shut-offs serving appliances, piping and plumbing fixtures.
10. Where redundant controls other than light switches are provided for a single element, one control in each space shall not be required to comply with this section.

11. Within kitchens and bathrooms, lighting controls, electrical switches and receptacle outlets are permitted to be located over cabinets with countertops 36 inches (915 mm) maximum in height and 25¹/₂ inches (650 mm) maximum in depth.

12. Electrical panelboards that are locked and not available to the occupants are not required to be accessible.

REASON: In large apartment buildings, panelboards are provided in every apartment rather than in a centralized location. However, owners and property managers do not want tenants to access them due to safety and liability concerns. As currently written, even a locked panelboard is not compliant. This is an overly restrictive requirement that forces owners to take on an unnecessary risk. It is noteworthy that Type A units do not even have a requirement for operable parts.

Committee Action: AS AM D

1103.9-STEINFELD.doc

| | | |
|--|-----------------------------------|----------------------------------|
| Report for 11-08– 2021 | | |
| <i>Committee decision: AS/AM/D</i> | <i>Committee Vote at Meeting:</i> | <i>Committee Vote on Ballot:</i> |
| REPORT OF HEARING: | | |
| Modification (if any): | | |
| Committee Reason: | | |
| PUBLIC COMMENT- FIRST DRAFT: | | |
| Proponent: | | |
| Desired Action: | | |
| Modification: | | |
| Reason: | | |
| <i>Committee decision: AS/AM/D</i> | <i>Committee Vote at Meeting:</i> | <i>Committee Vote on Ballot:</i> |
| REPORT OF HEARING – FIRST DRAFT | | |
| Modification (if any): | | |
| Committee Reason: | | |
| PUBLIC COMMENT- SECOND DRAFT: | | |
| Proponent: | | |
| Desired Action: | | |
| Modification: | | |
| Reason: | | |
| <i>Committee decision: AS/AM/D</i> | <i>Committee Vote at Meeting:</i> | <i>Committee Vote on Ballot:</i> |
| FINAL ACTION: | | |
| Modification (if any): | | |
| Committee Reason: | | |

11-09 – 2021

1103.11.2.2, 1104.11.3.1.1

Proponent: Edward Steinfeld, IDEA Center, University at Buffalo, representing RESNA

Revise as follows:

**SECTION 1103
TYPE A UNITS**

1103.11.2.2 Lavatory. Lavatories shall comply with Section 606.

Exception: Cabinetry shall be permitted under the lavatory, provided the following criteria are met:

1. The ~~cabinetry~~ cabinet doors and base can be removed to provide the required knee space ~~without removal or replacement of the lavatory;~~
2. The cabinet can be removed entirely and replaced with a compliant unit;
- ~~2.~~ 3. The floor finish extends under the cabinetry; and
- ~~3.~~ 4. The walls behind and surrounding the cabinetry are finished.

**SECTION 1104
TYPE B UNITS**

1104.11.3.1.1 Lavatory. A clear floor space positioned for a parallel approach shall be provided at a lavatory. The clear floor space shall be centered on the lavatory.

Exception: A lavatory complying with Sections 606.3, 606.4 and 1104.1.1 shall be permitted.

Cabinetry shall be permitted under the lavatory provided the following criteria are met:

1. The ~~cabinetry~~ cabinet doors and base can be removed to provide the required knee space ~~without removal or replacement of the lavatory;~~
2. The cabinet can be removed entirely and replaced with a compliant unit;
2. 3. The floor finish extends under the cabinetry; and
3. 4. The walls behind and surrounding the cabinetry are finished.

REASON: The option of replacing the cabinetry as a unit was removed in a previous version of the standard. But, this eliminated a good option that would benefit tenants. Replacing a vanity cabinet is no more difficult than replacing a refrigerator. Many building owners have skilled workmen who can do it quickly and provide a more customized solution than simply removing the cabinet doors and base would accomplish. But as written, this section makes it impossible for them to do the best thing for the tenant. A video showing replacement of a vanity in under 20 minutes will be screened during discussion.

Committee Action: AS AM D

1103.12.4.1-STEINFELD.doc

Report for 11-09- 2021

| | | |
|--|-----------------------------------|----------------------------------|
| Committee decision: AS/AM/D | Committee Vote at Meeting: | Committee Vote on Ballot: |
| REPORT OF HEARING: | | |
| Modification (if any): | | |
| Committee Reason: | | |
| PUBLIC COMMENT- FIRST DRAFT: | | |
| Proponent: | | |
| Desired Action: | | |
| Modification: | | |
| Reason: | | |
| Committee decision: AS/AM/D | Committee Vote at Meeting: | Committee Vote on Ballot: |
| REPORT OF HEARING – FIRST DRAFT | | |
| Modification (if any): | | |
| Committee Reason: | | |
| PUBLIC COMMENT- SECOND DRAFT: | | |
| Proponent: | | |
| Desired Action: | | |
| Modification: | | |
| Reason: | | |
| Committee decision: AS/AM/D | Committee Vote at Meeting: | Committee Vote on Ballot: |
| FINAL ACTION: | | |
| Modification (if any): | | |
| Committee Reason: | | |

11-10 – 2021

1103.11.2.5.1

Proponent: Lisa Pilorz, representing KMA, LLC.

Revise as follows:

SECTION 1103 TYPE A UNITS

1103.11.2.5.1 Bathtub. Bathtubs shall comply with Section 607.

Exception Exceptions:

1. A removable in-tub seat in accordance with Section 607.3 is not required.
2. Countertops and cabinetry shall be permitted at one end of the clearance, provided the following criteria are met:
 - 2.1. The countertop and cabinetry can be removed;
 - 2.2. The floor finish extends under the countertop and cabinetry; and
 - 2.3. The walls behind and surrounding the countertop and cabinetry are finished.

REASON: Under A117.1-2009, this was Exception 1. Under the A117-2017 version this exception was omitted. Under A117.1-2017, 1103 applies to Type A units. Most model building codes require a certain percentage of Type A units to be provided in multi-family housing. It does not seem applicable to require tub seats be provided in multi-family. In addition, by requiring a tub seat, there is, by default an implication that tub heights would be restricted to accommodate a tub seat.

Committee Action: AS AM D

1103.11.2.5.1-PILORZ.doc

| | | |
|--|-----------------------------------|----------------------------------|
| Report for 11-10– 2021 | | |
| <i>Committee decision: AS/AM/D</i> | <i>Committee Vote at Meeting:</i> | <i>Committee Vote on Ballot:</i> |
| REPORT OF HEARING: | | |
| Modification (if any): | | |
| Committee Reason: | | |
| PUBLIC COMMENT- FIRST DRAFT: | | |
| Proponent: | | |
| Desired Action: | | |
| Modification: | | |
| Reason: | | |
| <i>Committee decision: AS/AM/D</i> | <i>Committee Vote at Meeting:</i> | <i>Committee Vote on Ballot:</i> |
| REPORT OF HEARING – FIRST DRAFT | | |
| Modification (if any): | | |
| Committee Reason: | | |
| PUBLIC COMMENT- SECOND DRAFT: | | |
| Proponent: | | |
| Desired Action: | | |
| Modification: | | |
| Reason: | | |
| <i>Committee decision: AS/AM/D</i> | <i>Committee Vote at Meeting:</i> | <i>Committee Vote on Ballot:</i> |
| FINAL ACTION: | | |
| Modification (if any): | | |
| Committee Reason: | | |

11-11 – 2021

1103.11.2.5.2

Proponent: Kimberly Paarlberg, International Code Council

Add new text as follows:

SECTION 1103 TYPE A UNITS

1103.11.2.5.2 Shower. Showers shall comply with Section 608.

Exception Exceptions:

1. At standard roll-in shower compartments complying with Section 608.2.2, lavatories, countertops and cabinetry shall be permitted at one end of the clearance, provided the following criteria are met:
 - 1.1. The countertop and cabinetry can be removed;
 - 1.2. The floor finish extends under the countertop and cabinetry; and
 - 1.3. The walls behind and surrounding the countertop and cabinetry are finished.
2. Controls in standard roll-in showers shall be permitted to be located on any wall provided the controls are located between 38 inches (965 mm) and 48 inches (1219 mm) in height.

REASON: Type A units are adaptable, so they do not have the grab bars or seats in place. You would typically bring in a seat, so controls that are located so they can be turned on outside of the shower should be an option.

Committee Action: AS AM D
1102.11.2.5.2-PAARLBERG.doc

| | | |
|--|-----------------------------------|----------------------------------|
| Report for 11-11– 2021 | | |
| <i>Committee decision: AS/AM/D</i> | <i>Committee Vote at Meeting:</i> | <i>Committee Vote on Ballot:</i> |
| REPORT OF HEARING: | | |
| Modification (if any): | | |
| Committee Reason: | | |
| PUBLIC COMMENT- FIRST DRAFT: | | |
| Proponent: | | |
| Desired Action: | | |
| Modification: | | |
| Reason: | | |
| <i>Committee decision: AS/AM/D</i> | <i>Committee Vote at Meeting:</i> | <i>Committee Vote on Ballot:</i> |
| REPORT OF HEARING – FIRST DRAFT | | |
| Modification (if any): | | |
| Committee Reason: | | |
| PUBLIC COMMENT- SECOND DRAFT: | | |
| Proponent: | | |
| Desired Action: | | |
| Modification: | | |
| Reason: | | |
| <i>Committee decision: AS/AM/D</i> | <i>Committee Vote at Meeting:</i> | <i>Committee Vote on Ballot:</i> |
| FINAL ACTION: | | |
| Modification (if any): | | |
| Committee Reason: | | |

11-12 – 2021

1103.11.2.5.2

Proponent: Edward Steinfeld, IDEA Center, University at Buffalo, representing RESNA

Revise as follows:

SECTION 1103 TYPE A UNITS

1103.11.2.5.2 Shower. Showers shall comply with Section 608.

Exception Exceptions:

- 1.** At standard roll-in shower compartments complying with Section 608.2.2, lavatories, countertops and cabinetry shall be permitted at one end of the clearance, provided the following criteria are met:
 - 1.1.** The countertop and cabinetry can be removed;
 - 1.2.** The floor finish extends under the countertop and cabinetry; and
 - 1.3.** The walls behind and surrounding the countertop and cabinetry are finished.
- 2.** Hand held shower units are not required.

REASON: These devices present a maintenance problem in rental units. As written now, with a blanket cross reference to 608, they are mandated. Like adjustable work stations and sinks, hand held shower units, which now are readily available at hardware and bath stores, should be considered an adaptable device or convenience feature.

Committee Action: AS AM D
1103.11.2.5.2-STEINFELD.doc

| Report for 11-12– 2021 | | |
|--|-----------------------------------|----------------------------------|
| <i>Committee decision: AS/AM/D</i> | <i>Committee Vote at Meeting:</i> | <i>Committee Vote on Ballot:</i> |
| REPORT OF HEARING: | | |
| Modification (if any): | | |
| Committee Reason: | | |
| PUBLIC COMMENT- FIRST DRAFT: | | |
| Proponent: | | |
| Desired Action: | | |
| Modification: | | |
| Reason: | | |
| <i>Committee decision: AS/AM/D</i> | <i>Committee Vote at Meeting:</i> | <i>Committee Vote on Ballot:</i> |
| REPORT OF HEARING – FIRST DRAFT | | |
| Modification (if any): | | |
| Committee Reason: | | |
| PUBLIC COMMENT- SECOND DRAFT: | | |
| Proponent: | | |
| Desired Action: | | |
| Modification: | | |
| Reason: | | |
| <i>Committee decision: AS/AM/D</i> | <i>Committee Vote at Meeting:</i> | <i>Committee Vote on Ballot:</i> |
| FINAL ACTION: | | |
| Modification (if any): | | |
| Committee Reason: | | |

11-13 – 2021

1103.12.1.1, 1103.12.1.2, 1104.12.1.1, 1104.12.1.2

Proponent: Marsha Mazz, representing United Spinal Association

Revise as follows:

SECTION 1103 TYPE A UNITS

1103.12.1.1 Minimum clearance. Clearance between all opposing base cabinets, countertops, appliances, or walls within kitchen work areas shall be 40 inches (1015 mm) minimum measured at the narrowest point, excluding hardware and appliance controls.

1103.12.1.2 U-shaped kitchens. In kitchens with counters, appliances, or cabinets on three contiguous sides, clearance between all opposing base cabinets, countertops, appliances, or walls within kitchen work areas shall be 60 inches (1525 mm) minimum measured at the narrowest point, excluding hardware and appliance controls.

Exception: U-shaped kitchens with an island complying with Section 1103.12.1.1.

SECTION 1104 TYPE B UNITS

1104.12.1.1 Minimum clearance. Clearance between all opposing base cabinets, countertops, appliances, or walls within kitchen work areas shall be 40 inches (1015 mm) minimum measured at the narrowest point, excluding hardware and appliance controls.

1104.12.1.2 U-shaped kitchens. In kitchens with counters, appliances or cabinets on three contiguous sides, clearance between all opposing base cabinets, countertops, appliances, or walls within kitchen work areas shall be 60 inches (1525 mm) minimum measured at the narrowest point, excluding hardware and appliance controls.

Exception: U-shaped kitchens with an island complying with Section 1104.12.1.1.

REASON: Kitchens in Accessible units and those outside dwelling units must comply with Section 804. This proposal addresses Type A and Type B units. Please see our companion proposals to make the same change to Section 804.2.

Some inspectors include hardware and appliance controls when measuring between base cabinets and appliances, others do not. This proposal is intended to establish a clear measurement point. The narrowest kitchen clearance is 40 inches in width which is at least 4 inches wider than an accessible route, 8 inches where Exception 1 to Section 403.5.1 allows the route to reduce to 32 inches for a distance of 24 inches.

For Type B units (Section 1104.12.1), HUD's Fair Housing Design Manual makes clear that hardware and appliance controls are to be excluded when measuring kitchen clearances.

“The Guidelines require a clearance of at least 40 inches between all opposing base cabinets, countertops, appliances, and walls. The 40-inch clearance is measured from any countertop or the face of any appliance (excluding handles and controls) that projects into the kitchen to the opposing cabinet, countertop, appliance, or wall. Refrigerators vary greatly in depth and may extend up to eight inches beyond cabinet faces. Standard free-standing and drop-in ranges may project up to three inches. Appliance depths (excluding door handles) must be included when calculating the 40-inch clearances.”

Requirement #7 (1)(b) of the Fair Housing Act Accessibility Guidelines says it a little differently.

“Clearance between counters and all opposing base cabinets, countertops, appliances, or walls is at least 40 inches”.

Unfortunately, neither the Design Manual or the Guidelines shed any light on where the measurement is to be taken when the countertop overhangs the face of the cabinet or an appliance, such as a dishwasher. This proposal clarifies what we believe is the intent of the HUD requirement by requiring the measurement to be taken at the narrowest point. We have proposed the same change for Sections 804 and 1103.12.1.

Committee Action: AS AM D

1103.12.1-MAZZ.doc

| | | |
|--|-----------------------------------|----------------------------------|
| Report for 11-13- 2021 | | |
| <i>Committee decision: AS/AM/D</i> | <i>Committee Vote at Meeting:</i> | <i>Committee Vote on Ballot:</i> |
| REPORT OF HEARING: | | |
| Modification (if any): | | |
| Committee Reason: | | |
| PUBLIC COMMENT- FIRST DRAFT: | | |
| Proponent: | | |
| Desired Action: | | |
| Modification: | | |
| Reason: | | |
| <i>Committee decision: AS/AM/D</i> | <i>Committee Vote at Meeting:</i> | <i>Committee Vote on Ballot:</i> |
| REPORT OF HEARING – FIRST DRAFT | | |
| Modification (if any): | | |
| Committee Reason: | | |
| PUBLIC COMMENT- SECOND DRAFT: | | |
| Proponent: | | |
| Desired Action: | | |
| Modification: | | |
| Reason: | | |
| <i>Committee decision: AS/AM/D</i> | <i>Committee Vote at Meeting:</i> | <i>Committee Vote on Ballot:</i> |
| FINAL ACTION: | | |
| Modification (if any): | | |
| Committee Reason: | | |

11-14 – 2021

1103.12.1.3(New), 1104.12.1.3(New)

Proponent: Kimberly Paarlberg, International Code Council

Add new text as follows:

SECTION 804 KITCHENS

804.2 Clearance. Where a pass-through kitchen is provided, clearances shall comply with Section 804.2.1. Where a U-shaped kitchen is provided, clearances shall comply with Section 804.2.2. Kitchens where a cook top or conventional range is not provided shall comply with Section 804.2.3.

804.2.1 Pass-through kitchens. In pass-through kitchens where counters, appliances or cabinets are on two opposing sides, or where counters, appliances or cabinets are opposite a parallel wall, clearance between all opposing base cabinets, countertops, appliances, or walls within kitchen work areas shall be 40 inches (1015 mm) minimum. Pass-through kitchens shall have two entries.

804.2.2 U-shaped kitchens. In kitchens enclosed on three contiguous sides, clearance between all opposing base cabinets, countertops, appliances, or walls within kitchen work areas shall be 60 inches (1525 mm) minimum.

Exception: U-shaped kitchens with an island complying with Section 804.2.1.

804.2.3 Spaces where a cook top or conventional range is not provided. In a kitchen space where a cooktop or conventional range is not provided, clearance between all opposing base cabinets, countertops, appliances and walls within kitchen work areas shall be 40-inch (1015 mm) minimum.

SECTION 1102 ACCESSIBLE UNITS

1102.12 Kitchens. Kitchens shall comply with Section 804.

SECTION 1103 TYPE A UNITS

1103.12 Kitchens. Kitchens shall comply with Section 1103.12.

1103.12.1 Clearance. Clearance complying with Section 1103.12.1 shall be provided.

1103.12.1.1 Minimum clearance. Clearance between all opposing base cabinets, countertops, appliances, or walls within kitchen work areas shall be 40 inches (1015 mm) minimum.

1103.12.1.2 U-shaped kitchens. In kitchens with counters, appliances, or cabinets on three contiguous sides, clearance between all opposing base cabinets, countertops, appliances, or walls within kitchen work areas shall be 60 inches (1525 mm) minimum.

Exception: U-shaped kitchens with an island complying with Section 1103.12.1.1.

1103.12.1.3 Spaces where a cook top or conventional range is not provided. In a kitchen space where a cooktop or conventional range is not provided, clearance between all opposing base cabinets, countertops, appliances and walls within kitchen work areas shall be 40-inch (1015 mm) minimum.

SECTION 1104 TYPE B UNITS

1104.12 Kitchens. Kitchens shall comply with Section 1104.12.

1104.12.1 Clearance. Clearance complying with Section 1104.12.1 shall be provided.

1104.12.1.1 Minimum clearance. Clearance between all opposing base cabinets, countertops, appliances, or walls within kitchen work areas shall be 40 inches (1015 mm) minimum.

1104.12.1.2 U-shaped kitchens. In kitchens with counters, appliances or cabinets on three contiguous sides, clearance between all opposing base cabinets, countertops, appliances, or walls within kitchen work areas shall be 60 inches (1525 mm) minimum.

Exception: U-shaped kitchens with an island complying with Section 1104.12.1.1.

1104.12.1.3 Spaces where a cook top or conventional range is not provided. In a kitchen space where a cooktop or conventional range is not provided, clearance between all opposing base cabinets, countertops, appliances and walls within kitchen work areas shall be 40-inch (1015 mm) minimum.

REASON: The current requirements for Accessible kitchen in public spaces and Accessible units allows for kitchenettes, wet bars, etc., but this same option is not addressed in Type A and Type B units. This proposal would add that option for these Type A and Type B units.

Committee Action: AS AM D

1103-PAARLBERG.doc

Report for 11-14- 2021

| | | |
|--|-----------------------------------|----------------------------------|
| Committee decision: AS/AM/D | Committee Vote at Meeting: | Committee Vote on Ballot: |
| REPORT OF HEARING: | | |
| Modification (if any): | | |
| Committee Reason: | | |
| PUBLIC COMMENT- FIRST DRAFT: | | |
| Proponent: | | |
| Desired Action: | | |
| Modification: | | |
| Reason: | | |
| Committee decision: AS/AM/D | Committee Vote at Meeting: | Committee Vote on Ballot: |
| REPORT OF HEARING – FIRST DRAFT | | |
| Modification (if any): | | |
| Committee Reason: | | |
| PUBLIC COMMENT- SECOND DRAFT: | | |
| Proponent: | | |
| Desired Action: | | |
| Modification: | | |
| Reason: | | |
| Committee decision: AS/AM/D | Committee Vote at Meeting: | Committee Vote on Ballot: |
| FINAL ACTION: | | |
| Modification (if any): | | |
| Committee Reason: | | |

11-15 – 2021

1103.12.3.1, 1103.12.3.2, Figure 1103.12.3

Proponent: Edward Steinfeld, IDEA Center, University at Buffalo, represented RESNA

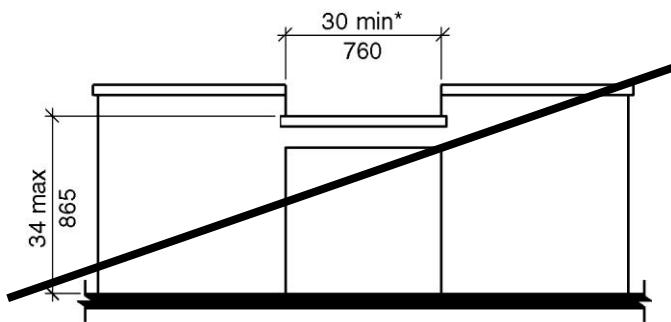
Revise as follows:

SECTION 1103 TYPE A UNITS

1103.12.3.1 Clear floor space. A clear floor space, positioned for a forward approach to the work surface, shall be provided. Knee and toe clearance complying with Section 306 shall be provided. The floor finish shall extend under the cabinetry and the walls behind and surrounding the cabinetry shall be finished.

Exception: Cabinetry shall be permitted under the work surface, provided either of the following criteria are met:

1. The cabinetry can be removed to provide the knee clearance without removal or replacement of the work surface,
2. The cabinetry and countertop can be removed and replaced as a unit to provide the knee clearance.
- ~~2. The floor finish extends under the cabinetry, and~~
- ~~3. The walls behind and surrounding the cabinetry are finished.~~



* 36 min. (915) if part of T-shaped turning space per Sections 304.3.2 and 1003.3.2

**FIGURE 1103.12.3
WORK SURFACE IN KITCHEN FOR TYPE A UNITS**

1103.12.3.2 Height. The work surface shall be 34 inches (865 mm) maximum above the floor.

Exception: A counter that is adjustable to provide a work surface at variable heights 29 inches (735 mm) minimum and 36 inches (915 mm) maximum above the floor, ~~or that can be relocated within that range without cutting the counter or damaging adjacent cabinets, walls, doors, and structural elements,~~ shall be permitted.

REASON: The floor and cabinets in the knee space should always be finished. That should not be part of the exception. The option of replacing the cabinetry as a unit was removed in a previous version of the standard. This eliminated a good option that would benefit tenants. The limitation on cutting the counter is problematic because it is undesirable to cut a countertop as shown in the current Fig. 1103.12.4. Cracks are unattractive and collect dirt. Note that accessible work centers are best to locate in the same counter section as sinks to create adaptable counters that can be adjusted in height; thus, this proposal is related to the one we submitted for revisions to 1103.12.4.1 and 1103.12.4.2. It is easier and more effective to replace the entire cabinet section and counter, especially when the sink is located in the same section. Many building owners have skilled workmen who can modify a kitchen quickly and provide a more customized solution than simply removing the cabinet doors and base and lowering the counter. Fig. 1103.12.4 is misleading and unnecessary. It implies that the lowered counter must be only a portion of a counter area. The clear floor space requirements and the requirement for clearances between counters automatically provide the T space for turning so the note is not needed either..

Committee Action: AS AM D

1103.12.3.1-STEINFELD.doc

| | | |
|--|-----------------------------------|----------------------------------|
| Report for 11-15- 2021 | | |
| <i>Committee decision: AS/AM/D</i> | <i>Committee Vote at Meeting:</i> | <i>Committee Vote on Ballot:</i> |
| REPORT OF HEARING: | | |
| Modification (if any): | | |
| Committee Reason: | | |
| PUBLIC COMMENT- FIRST DRAFT: | | |
| Proponent: | | |
| Desired Action: | | |
| Modification: | | |
| Reason: | | |
| <i>Committee decision: AS/AM/D</i> | <i>Committee Vote at Meeting:</i> | <i>Committee Vote on Ballot:</i> |
| REPORT OF HEARING – FIRST DRAFT | | |
| Modification (if any): | | |
| Committee Reason: | | |
| PUBLIC COMMENT- SECOND DRAFT: | | |
| Proponent: | | |
| Desired Action: | | |
| Modification: | | |
| Reason: | | |
| <i>Committee decision: AS/AM/D</i> | <i>Committee Vote at Meeting:</i> | <i>Committee Vote on Ballot:</i> |
| FINAL ACTION: | | |
| Modification (if any): | | |
| Committee Reason: | | |

11-16 – 2021

1103.12.4.1, 1103.12.4.2, Figure 1103.12.4

Proponent: Edward Steinfeld, IDEA Center, University at Buffalo, representing RESNA

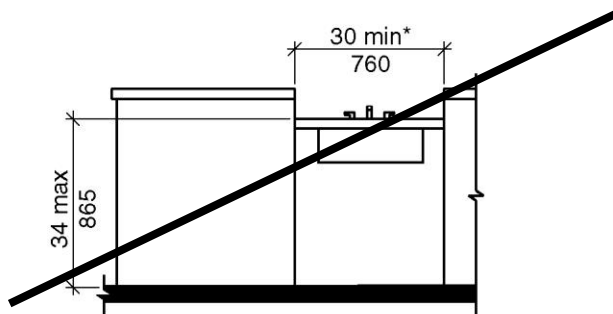
Revise as follows:

SECTION 1103 TYPE A UNITS

1103.12.4.1 Clear floor space. A clear floor space, positioned for a forward approach to the sink, shall be provided. Knee and toe clearance complying with Section 306 shall be provided. The floor finish shall extend under the cabinetry and the walls behind and surrounding the cabinetry shall be finished.

Exceptions:

1. The requirement for knee and toe clearance shall not apply to more than one bowl of a multi-bowl sink.
2. Cabinetry shall be permitted ~~to be added~~ under the sink, provided either of the following criteria are met:
 - 2.1. The cabinetry can be removed and countertop adjusted to provide the knee and toe clearance without removal or replacement of the sink,
 - 2.2. The cabinetry and countertop can be removed and replaced as a unit to provide the knee and toe clearance.
 - 2.2. ~~The floor finish extends under the cabinetry, and~~
 - 2.3. ~~The walls behind and surrounding the cabinetry are finished.~~
3. A clear floor space providing a parallel approach and centered on the sink shall be permitted at a kitchen sink in a space where a cook top or conventional range is not provided.
4. A clear floor space providing a parallel approach and centered on the sink shall be permitted at wet bars



* 36 in. (915 mm) min. if part of T-shaped turning space per Sections 304.3.2 and 1003.3.2

**FIGURE 1103.12.4
KITCHEN SINK FOR TYPE A UNITS**

1103.12.4.2 Height. The front of the sink shall be 34 inches (865 mm) maximum above the floor, measured to the higher of the rim or counter surface.

Exception: A sink and counter that is adjustable to variable heights 29 inches (735 mm) minimum and 36 inches (915 mm) maximum above the floor, ~~or that can be relocated within that range without cutting the counter or damaging adjacent cabinets, walls, doors and structural elements, provided rough-in plumbing permits connections of supply and drain pipes for sinks mounted at the height of 29 inches (735 mm),~~ shall be permitted.

REASON: The floor and cabinets in the knee space should always be finished. That should not be part of the exception. The option of replacing the cabinetry as a unit was removed in a previous version of the standard. But, this eliminated a good option that would benefit tenants. Additionally, the limitation on removing the sink and counter is problematic because deeper sinks that are desirable for tenants who do not need knee space cannot be lowered without infringing on the required knee space height. Thus the requirements essentially make adaptable cabinetry impossible to build and still comply. Currently, Exception 2.1 creates interpretation problems in practice when assessing compliance. How can the building code official or tenant know if the cabinet is adaptable as in #1? Further, in practice it is undesirable to cut a countertop as shown in the current Fig. 1103.12.4 because the cracks are unattractive and collect dirt. It is easier and more effective to replace the entire cabinet section and counter. Many building owners have skilled workmen who can modify a kitchen quickly and provide a more customized solution than simply removing the cabinet doors and base would accomplish. But as written, this section makes it impossible for them to do the best thing for the tenant. Fig. 1103.12.4 is misleading and unnecessary. It implies that the lowered counter must be only a portion of a counter area. The clear floor space requirements and the requirement for clearances between counters automatically provide the T space for turning so the note is not needed either.

Committee Action: AS AM D

1103.12.4.1-STEINFELD.doc

| | | |
|--|-----------------------------------|----------------------------------|
| Report for 11-16- 2021 | | |
| <i>Committee decision: AS/AM/D</i> | <i>Committee Vote at Meeting:</i> | <i>Committee Vote on Ballot:</i> |
| REPORT OF HEARING: | | |
| Modification (if any): | | |
| Committee Reason: | | |
| PUBLIC COMMENT- FIRST DRAFT: | | |
| Proponent: | | |
| Desired Action: | | |
| Modification: | | |
| Reason: | | |
| <i>Committee decision: AS/AM/D</i> | <i>Committee Vote at Meeting:</i> | <i>Committee Vote on Ballot:</i> |
| REPORT OF HEARING – FIRST DRAFT | | |
| Modification (if any): | | |
| Committee Reason: | | |
| PUBLIC COMMENT- SECOND DRAFT: | | |
| Proponent: | | |
| Desired Action: | | |
| Modification: | | |
| Reason: | | |
| <i>Committee decision: AS/AM/D</i> | <i>Committee Vote at Meeting:</i> | <i>Committee Vote on Ballot:</i> |
| FINAL ACTION: | | |
| Modification (if any): | | |
| Committee Reason: | | |

11-17 – 2021

1104.4.3(New)

Proponent: Gene Boecker, Code Consultants, Inc.

Add new text as follows:

SECTION 1104 TYPE B UNITS

1104.4.3 Openings. Openings in the floor shall comply with Section 302.3.

REASON: While it is uncommon inside a dwelling unit to have floor openings of the kind that are a concern, it is not uncommon to have them on a deck or patio. This would address floor drains on balconies and decks as well as gaps at the perimeter of a balcony. We have recently seen guardrail details where there is a 2-inch horizontal dimension between the edge of the balcony and the supports for the guardrail. This revision is also needed to address sliding door details with channels in the door track significantly wider and deeper than 1/2 inch. This revision creates a reasonable surface expectation. Openings in walking surfaces are covered for Type A units in Section 1103.4 by reference to Section 403 which refers to Section 302 in Section 403.2. This revision closes a loophole for Type B units.

Committee Action: AS AM D

1104.4.3-BOECKER.doc

| Report for 11-17– 2021 | | |
|--|-----------------------------------|----------------------------------|
| <i>Committee decision: AS/AM/D</i> | <i>Committee Vote at Meeting:</i> | <i>Committee Vote on Ballot:</i> |
| REPORT OF HEARING: | | |
| Modification (if any): | | |
| Committee Reason: | | |
| PUBLIC COMMENT- FIRST DRAFT: | | |
| Proponent: | | |
| Desired Action: | | |
| Modification: | | |
| Reason: | | |
| <i>Committee decision: AS/AM/D</i> | <i>Committee Vote at Meeting:</i> | <i>Committee Vote on Ballot:</i> |
| REPORT OF HEARING – FIRST DRAFT | | |
| Modification (if any): | | |
| Committee Reason: | | |
| PUBLIC COMMENT- SECOND DRAFT: | | |
| Proponent: | | |
| Desired Action: | | |
| Modification: | | |
| Reason: | | |
| <i>Committee decision: AS/AM/D</i> | <i>Committee Vote at Meeting:</i> | <i>Committee Vote on Ballot:</i> |
| FINAL ACTION: | | |
| Modification (if any): | | |
| Committee Reason: | | |

11-18 – 2021

1104.5.1

Proponent: Kimberly Paarlberg, International Code Council

Revise text as follows:

SECTION 1104 TYPE B UNITS

1104.5.1 Primary entrance door. The primary entrance door to the unit shall comply with Section 404.

Exceptions:

1. Storm and screen doors serving individual dwelling or sleeping units shall not be required to comply with Section 404.2.5.
2. For the maneuvering clearance at swinging doors for the front approach direction on the push side, the dimension perpendicular to the door shall be 48 inches (1220 mm) minimum.
3. For the maneuvering clearance at sliding and folding doors for the front approach direction, the dimension perpendicular to the door shall be 48 inches (1220 mm) minimum.
4. For doorways without doors, the dimension perpendicular to the doorway for the front direction shall be 48 inches (1220 mm) minimum.
5. Doors from individual *dwelling or sleeping units* are permitted to be equipped with a night latch, dead bolt or security chain at any height, provided such devices are operable from the inside without the use of a key or tool.

REASON: The reference to Section 404 picks up door hardware in Section 404.2.6. Type B units should be permitted to have additional security locking devices if desired. This would be consistent with IBC Sections 1010.2.3 and 1010.2.4 Exception 5. If someone lives there, they can have the locks relocated as a modification, or not use them – just use the regular lock on the door.

There is another proposal to Section 404.1. This is not the same since a security locking system would be considered normal operation.

Committee Action: AS AM D

1104.5-PAARLBERG.doc

| | | |
|-------------------------------------|-----------------------------------|----------------------------------|
| Report for 11-18– 2021 | | |
| <i>Committee decision: AS/AM/D</i> | <i>Committee Vote at Meeting:</i> | <i>Committee Vote on Ballot:</i> |
| REPORT OF HEARING: | | |
| Modification (if any): | | |
| Committee Reason: | | |
| PUBLIC COMMENT- FIRST DRAFT: | | |
| Proponent: | | |
| Desired Action: | | |

| | | |
|--|-----------------------------------|----------------------------------|
| Report for 11-18- 2021 | | |
| Modification: | | |
| Reason: | | |
| Committee decision: AS/AM/D | Committee Vote at Meeting: | Committee Vote on Ballot: |
| REPORT OF HEARING – FIRST DRAFT | | |
| Modification (if any): | | |
| Committee Reason: | | |
| PUBLIC COMMENT- SECOND DRAFT: | | |
| Proponent: | | |
| Desired Action: | | |
| Modification: | | |
| Reason: | | |
| Committee decision: AS/AM/D | Committee Vote at Meeting: | Committee Vote on Ballot: |
| FINAL ACTION: | | |
| Modification (if any): | | |
| Committee Reason: | | |

11-19 – 2021

1104.9

Proponent: Gene Boecker, Code Consultants, Inc.

Revise as follows:

SECTION 1104 TYPE B UNITS

1104.9 Operable parts. Lighting controls, electrical switches and receptacle outlets, environmental controls, electrical panelboards, and user controls for security or intercom systems shall comply with Sections 309.3 and 1104.1.1.

Exceptions:

1. Receptacle outlets serving a dedicated use.
2. In a kitchen where two or more receptacle outlets are provided above a length of countertop that is uninterrupted by a sink or appliance, only one receptacle outlet shall be required to comply with this section.
3. In a kitchen where a clear floor space for a parallel approach cannot be located at a countertop in a corner between appliances, receptacle outlets over the countertop shall not be required to comply with this section provided that the countertop area does not exceed 9 square feet (0.835 m²) maximum.
4. Floor receptacle outlets.
5. HVAC diffusers.
6. Controls mounted on ceiling fans.
7. Controls or switches mounted on appliances.
8. Plumbing fixture controls.
9. Reset buttons and shut-offs serving appliances, piping and plumbing fixtures.
10. Where redundant controls other than light switches are provided for a single element, one control in each space shall not be required to comply with this section.
11. Within kitchens and bathrooms, lighting controls, electrical switches and receptacle outlets ~~are permitted to be~~ located over cabinets with countertops 36 inches (915 mm) maximum in height and 25 ½ inches (650 mm) maximum in depth provided the highest operable part is not more than 46 inches above the floor.

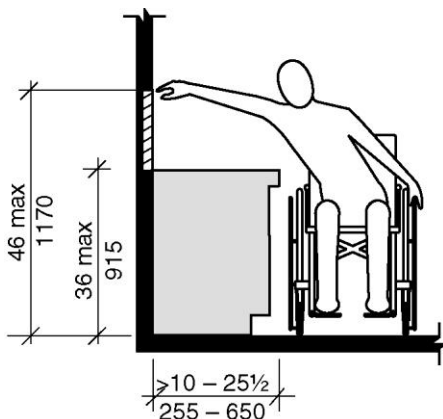


FIGURE 1104.9
REACH OVER A KITCHEN OR BATHROOM CABINET

REASON: There are two changes here. The first is simply delete the verb portion of the exception. None of the other exceptions include that language. They simply identify the item.

The second change is the critical part. As written, the exception could literally allow the electrical outlets above the counter to be at 50 inches in height. The allowance for a higher counter and deeper countertop is based on a specific comment by HUD in it's supplemental Questions and Answers about the Fair housing Guidelines, published in the Federal Register on June 28, 1994 (and copied below for ease of reading). The question was specifically about these counters; and, while the response did not directly give the countertop information, it did state that the intent was to limit the height of the electrical switches and outlets to 46 inches. It is important that this be included in the exception.

Committee Action: AS AM D

1104.9-BOECKER.doc

| Report for 11-19- 2021 | | |
|--|-----------------------------------|----------------------------------|
| <i>Committee decision: AS/AM/D</i> | <i>Committee Vote at Meeting:</i> | <i>Committee Vote on Ballot:</i> |
| REPORT OF HEARING: | | |
| Modification (if any): | | |
| Committee Reason: | | |
| PUBLIC COMMENT- FIRST DRAFT: | | |
| Proponent: | | |
| Desired Action: | | |
| Modification: | | |
| Reason: | | |
| <i>Committee decision: AS/AM/D</i> | <i>Committee Vote at Meeting:</i> | <i>Committee Vote on Ballot:</i> |
| REPORT OF HEARING – FIRST DRAFT | | |
| Modification (if any): | | |
| Committee Reason: | | |
| PUBLIC COMMENT- SECOND DRAFT: | | |
| Proponent: | | |
| Desired Action: | | |
| Modification: | | |
| Reason: | | |
| <i>Committee decision: AS/AM/D</i> | <i>Committee Vote at Meeting:</i> | <i>Committee Vote on Ballot:</i> |
| FINAL ACTION: | | |
| Modification (if any): | | |
| Committee Reason: | | |

11-20 – 2021

1104.9

Proponent: Ashley Pitts, Jensen Hughes, Inc.

Revise as follows:

SECTION 1104 TYPE B UNITS

1104.9 Operable parts. Lighting controls, electrical switches and receptacle outlets, environmental controls, electrical panelboards, and user controls for security or intercom systems shall comply with Sections 309.3 and 1104.1.1.

Exceptions:

1. Receptacle outlets serving a dedicated use.
2. In a kitchen where two or more receptacle outlets are provided above a length of countertop that is uninterrupted by a sink or appliance, only one receptacle outlet shall be required to comply with this section.
3. In a kitchen where a clear floor space for a parallel approach cannot be located at a countertop in a corner between appliances, receptacle outlets over the counter-top shall not be required to comply with this section provided that the countertop area does not exceed 9 square feet (0.835 m²) maximum.
4. Floor receptacle outlets.
5. HVAC diffusers.
6. Controls mounted on ceiling fans.
7. Controls or switches mounted on appliances.
8. Plumbing fixture controls.
9. Reset buttons and shut-offs serving appliances, piping and plumbing fixtures.
10. Where redundant controls other than light switches are provided for a single element, one control in each space shall not be required to comply with this section.
11. Within kitchens and bathrooms, lighting controls, electrical switches and receptacle outlets are permitted to be located over cabinets with countertops 36 inches (915 mm) maximum in height and 25 1/2 inches (650 mm) maximum in depth. Freestanding or slide-in kitchen appliances are not considered to impact the reach depth to receptacle outlets, switches or controls over the countertop.

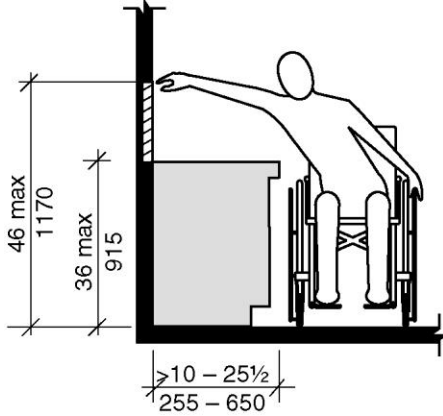
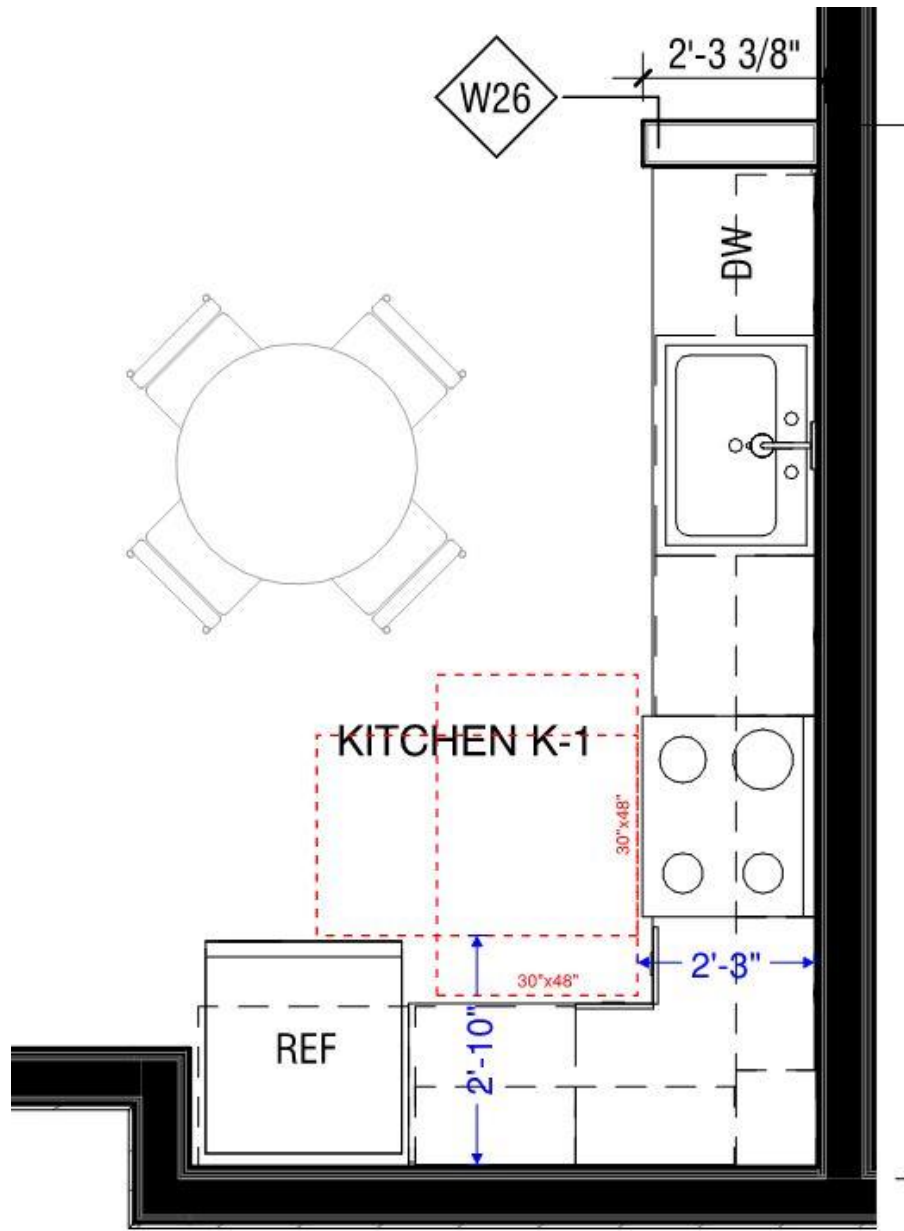
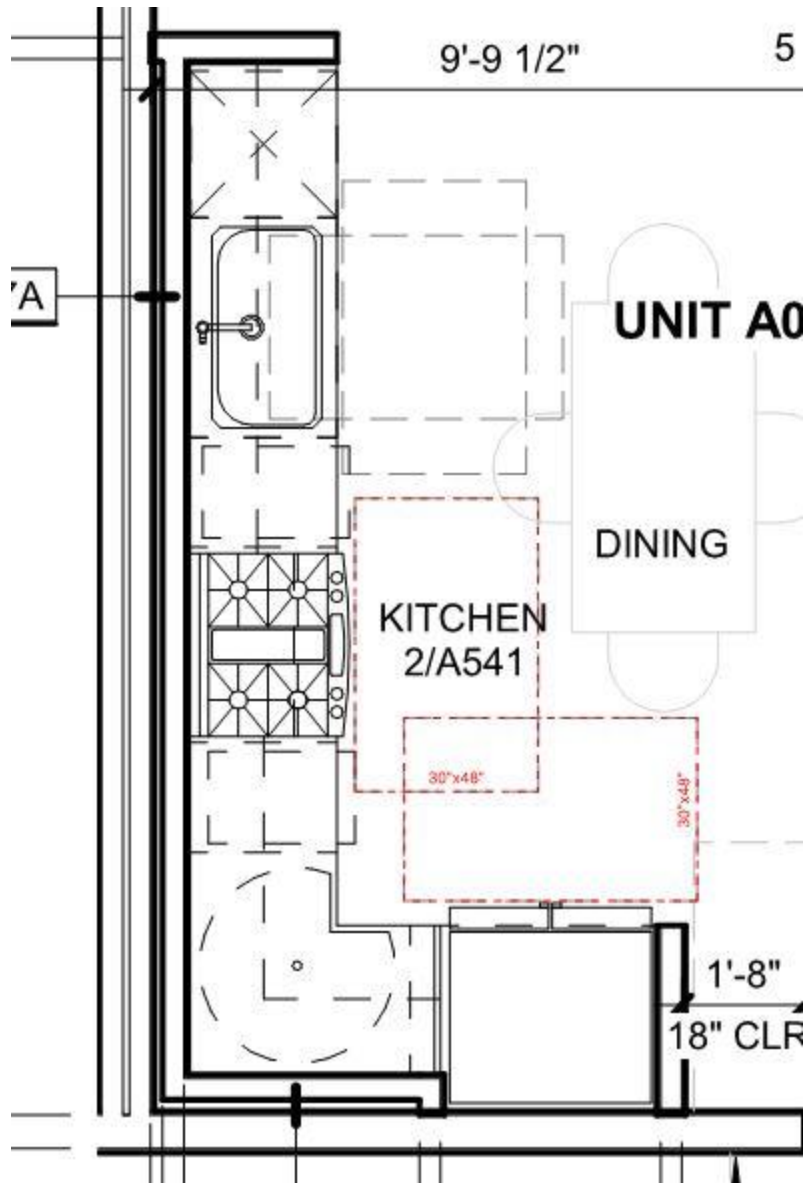


FIGURE 1104.9
REACH OVER A KITCHEN OR BATHROOM CABINET

Reason: The proposed change affects kitchens in Type B dwelling units or sleeping units. The standard should clarify whether appliance protrusions, such as range and refrigerator protrusions, can be ignored for purposes of complying with the limitations for side reach over kitchen counters. Standard appliances such as ranges and refrigerators protrude beyond the face of the countertop several inches. In typical kitchen arrangements, there are commonly sections of countertop between these appliances, or between these appliances and other elements, where a parallel clear floor space cannot be positioned directly adjacent to the countertop due to an appliance protrusion. This issue does not only occur at “inside corners,” but also commonly occurs at linear kitchens with less than 48” between appliance protrusions.







Committee Action: AS AM D

1104.9-PITTS.doc

| Report for 11-20- 2021 | | |
|--|----------------------------|---------------------------|
| Committee decision: AS/AM/D | Committee Vote at Meeting: | Committee Vote on Ballot: |
| REPORT OF HEARING: | | |
| Modification (if any): | | |
| Committee Reason: | | |
| PUBLIC COMMENT- FIRST DRAFT: | | |
| Proponent: | | |
| Desired Action: | | |
| Modification: | | |
| Reason: | | |
| Committee decision: AS/AM/D | Committee Vote at Meeting: | Committee Vote on Ballot: |
| REPORT OF HEARING – FIRST DRAFT | | |
| Modification (if any): | | |
| Committee Reason: | | |
| PUBLIC COMMENT- SECOND DRAFT: | | |
| Proponent: | | |

Report for 11-20- 2021

Desired Action:

Modification:

Reason:

Committee decision: AS/AM/D**Committee Vote at Meeting:****Committee Vote on Ballot:****FINAL ACTION:**

Modification (if any):

Committee Reason:

11-21 – 2021

1104.10.1

Proponent: Gene Boecker, Code Consultants, Inc.

Revise as follows:

SECTION 1104 TYPE B UNITS

1104.10 Laundry equipment. Washing machines and clothes dryers shall comply with Section 1104.10.

1104.10.1 Clear floor space. A clear floor space shall be provided for each washing machine and clothes dryer. A parallel approach shall be provided for a top loading machine. A forward or parallel approach shall be provided for a front loading machine. The centerline of the clear floor space shall be offset 24 inches (610 mm) maximum from the centerline of the appliance.

REASON: The text does not indicate how much of the clear floor space must overlap the appliance. This has led to extremes where in some cases the clear floor space is barely touching the appliance at all. Although this is only one dimension regardless forward or parallel approach, the standard for Type B units is lower than for Type A units which must comply with Section 611. But, the text should have something which identifies an allowable offset so that it cannot be argued that a 36-inch offset is acceptable.

Committee Action: AS AM D

1104.10.1-BOECKER.doc

| | | |
|--|-----------------------------------|----------------------------------|
| Report for 11-21– 2021 | | |
| <i>Committee decision: AS/AM/D</i> | <i>Committee Vote at Meeting:</i> | <i>Committee Vote on Ballot:</i> |
| REPORT OF HEARING: | | |
| Modification (if any): | | |
| Committee Reason: | | |
| PUBLIC COMMENT- FIRST DRAFT: | | |
| Proponent: | | |
| Desired Action: | | |
| Modification: | | |
| Reason: | | |
| <i>Committee decision: AS/AM/D</i> | <i>Committee Vote at Meeting:</i> | <i>Committee Vote on Ballot:</i> |
| REPORT OF HEARING – FIRST DRAFT | | |
| Modification (if any): | | |
| Committee Reason: | | |
| PUBLIC COMMENT- SECOND DRAFT: | | |
| Proponent: | | |
| Desired Action: | | |
| Modification: | | |
| Reason: | | |
| <i>Committee decision: AS/AM/D</i> | <i>Committee Vote at Meeting:</i> | <i>Committee Vote on Ballot:</i> |
| FINAL ACTION: | | |
| Modification (if any): | | |
| Committee Reason: | | |

11-22– 2021

1104.11.1.3.1.1

Proponent: Kimberly Paarlberg, International Code Council

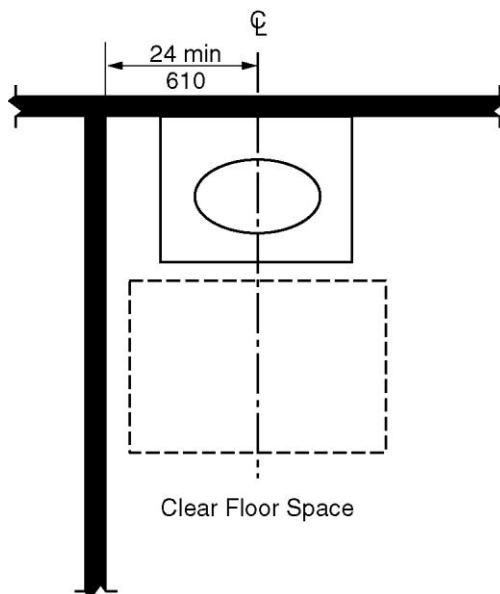
Revise as follows:

SECTION 1104 TYPE B UNITS

1104.11.3.1.1 Lavatory. A clear floor space positioned for a parallel approach shall be provided at a lavatory. The clear floor space shall be centered on the lavatory.

Exception: A lavatory complying with Section 606–~~Sections 606.3, 606.4 and~~ except with a clear floor space complying with Section 1104.1.1 shall be permitted. Cabinetry shall be permitted under the lavatory provided the following criteria are met:

1. The cabinetry can be removed without removal or replacement of the lavatory, and
2. The floor finish extends under the cabinetry, and
3. The walls behind and surrounding the cabinetry are finished.



**FIGURE 1104.11.3.1.1
LAVATORY IN TYPE B UNITS – OPTION A BATHROOMS**

REASON: The original intent of the committee for the exception was to allow for a front approach lavatory without adding the larger clear floor space size. By not including the reference to Section 606.2 the current text does not address the front approach or the knee and toe clearance. This is Option A. Option B references this section so this is a glitch for both options in Type B units.

Committee Action:

AS

AM

D

1104.11.1.3.1.1-PAARLBERG.doc

| Report for 11-22- 2021 | | |
|--|-----------------------------------|----------------------------------|
| <i>Committee decision: AS/AM/D</i> | <i>Committee Vote at Meeting:</i> | <i>Committee Vote on Ballot:</i> |
| REPORT OF HEARING: | | |
| Modification (if any): | | |
| Committee Reason: | | |
| PUBLIC COMMENT- FIRST DRAFT: | | |
| Proponent: | | |
| Desired Action: | | |
| Modification: | | |
| Reason: | | |
| <i>Committee decision: AS/AM/D</i> | <i>Committee Vote at Meeting:</i> | <i>Committee Vote on Ballot:</i> |
| REPORT OF HEARING – FIRST DRAFT | | |
| Modification (if any): | | |
| Committee Reason: | | |
| PUBLIC COMMENT- SECOND DRAFT: | | |
| Proponent: | | |
| Desired Action: | | |
| Modification: | | |
| Reason: | | |
| <i>Committee decision: AS/AM/D</i> | <i>Committee Vote at Meeting:</i> | <i>Committee Vote on Ballot:</i> |
| FINAL ACTION: | | |
| Modification (if any): | | |
| Committee Reason: | | |

11-23– 2021

1104.11.3.1, 1104.11.3.1.3.3

Proponent: Kimberly Paarlberg, International Code Council

Revise as follows:

SECTION 1104 TYPE B UNITS

1104.11.3 Toilet and bathing areas. Either all toilet and bathing areas provided shall comply with Section 1104.11.3.1 (Option A), or one toilet and bathing area shall comply with Section 1104.11.3.2 (Option B).

1104.11.3.1 Option A. ~~Each~~ One of each type of fixture provided shall comply with Section 1104.11.3.1.

Exceptions Exception:

- ~~1. Where multiple lavatories are provided in a single toilet and bathing area such that travel between fixtures does not require travel through other parts of the unit, not more than one lavatory is required to comply with Section 1104.11.3.1.~~
2. A lavatory and a water closet in a room containing only a lavatory and water closet, provided the room does not contain the only lavatory or water closet on the accessible level of the unit.

1104.11.3.1.3 Bathing fixtures. Where provided, a bathtub shall comply with Section 1104.11.3.1.3.1 or 1104.11.3.1.3.2 and a shower compartment shall comply with Section 1104.11.3.1.3.3.

1104.11.3.1.3.3 Shower compartment. If a shower compartment is the ~~only~~ accessible bathing facility fixture in the bathroom, the shower compartment shall have dimensions of 36 inches (915 mm) minimum in width and 36 inches (915 mm) minimum in depth. A clearance of 48 inches (1220 mm) minimum in length, measured perpendicular from the control wall, and 30 inches (760 mm) minimum in depth, measured from the face of the shower compartment, shall be provided.

Exceptions:

1. A shower compartment with dimensions of 30 inches (760 mm) minimum in depth and 44 inches (1120 mm) minimum in width shall be permitted.
2. A shower door assembly shall be permitted where the assembly can be removed without removal or replacement of the surrounding walls and floor to which it is affixed.

1104.11.3.2 Option B. One of each type of fixture provided shall comply with Section 1104.11.3.2. These fixtures shall be in a single toilet/bathing area, such that travel between fixtures does not require travel through other parts of the unit.

1104.11.3.2.3.2 Shower compartment. A shower compartment shall comply with Section 1104.11.3.1.3.3.

REASON: The purpose of this proposal is to clarify requirements for bathtubs and showers.

1104.11.3.1 – When FHA was written, two lavatories in the same bathroom or a separate bathtub and shower in the same bathroom was almost unheard of. Now that is a common configuration. The current text already allows for one lavatory in each bathroom in Option A and Option B. The proposal would also allow for a choice of a bathtub or shower in each Option A bathroom. This would be consistent with the more accessible Option B bathrooms which already allows this choice. When bathrooms have a tub and a shower, often tubs are standing tubs or there adjacent windows, so they don't have walls to comply with blocking requirements, so those would not be the converted bathing elements. Not to mention that they are not nearly as 'user friendly' to getting into bath if you compare the side of a tub to the threshold of a shower.

1104.11.3.1.3.3 - There are often questions about "if a shower compartment is the only bathing facility". Does this literally mean that if there is an accessible tub somewhere in the unit, the shower can be any size? Even if it is the accessible bathing fixture? This proposal would set the minimum useable size if the shower was the accessible fixture in that bathroom.

If there is concern that this would be misread over time, an alternative is adding the bathroom or shower choice in the exceptions –

1104.11.3.1 Option A. Each fixture provided shall comply with Section 1104.11.3.1.

Exceptions:

1. Where multiple lavatories are provided in a single toilet and bathing area such that travel between fixtures does not require travel through other parts of the unit, not more than one lavatory is required to comply with Section 1104.11.3.1.
2. Where a bathtub and shower are provided in a single bathing area, either the bathtub or shower shall be accessible in accordance with Section 1104.3.1.3.
3. A lavatory and a water closet in a room containing only a lavatory and water closet, provided the room does not contain the only lavatory or water closet on the accessible level of the unit.



Committee Action: AS AM D
 1104.11.3.1.3.3-PAARLBERG.doc

| | | |
|--|-----------------------------------|----------------------------------|
| Report for 11-23- 2021 | | |
| <i>Committee decision: AS/AM/D</i> | <i>Committee Vote at Meeting:</i> | <i>Committee Vote on Ballot:</i> |
| REPORT OF HEARING: Modification (if any): | | |

| | | |
|--|-----------------------------------|----------------------------------|
| Report for 11-23- 2021 | | |
| Committee Reason: | | |
| PUBLIC COMMENT- FIRST DRAFT: | | |
| Proponent: | | |
| Desired Action: | | |
| Modification: | | |
| Reason: | | |
| Committee decision: AS/AM/D | Committee Vote at Meeting: | Committee Vote on Ballot: |
| REPORT OF HEARING – FIRST DRAFT | | |
| Modification (if any): | | |
| Committee Reason: | | |
| PUBLIC COMMENT- SECOND DRAFT: | | |
| Proponent: | | |
| Desired Action: | | |
| Modification: | | |
| Reason: | | |
| Committee decision: AS/AM/D | Committee Vote at Meeting: | Committee Vote on Ballot: |
| FINAL ACTION: | | |
| Modification (if any): | | |
| Committee Reason: | | |

11-24 – 2021

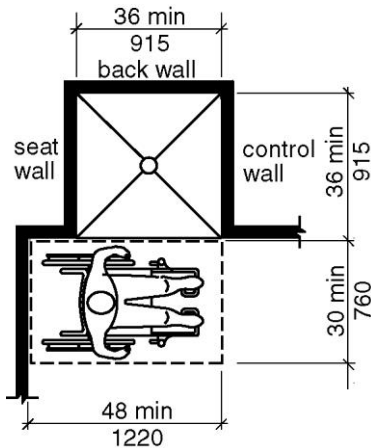
1104.11.3.1.3.3

Proponent: Marsha Mazz, United Spinal Association

Revise as follows:

SECTION 1104 TYPE B UNITS

1104.11.3.1.3.3 Shower compartment. If a shower compartment is the only bathing facility fixture within the sleeping unit or dwelling unit, the shower compartment shall have dimensions of 36 inches (915 mm) minimum in width and 36 inches (915 mm) minimum in depth. A clearance of 48 inches (1220 mm) minimum in length, measured perpendicular from the control wall, and 30 inches (760 mm) minimum in depth, measured from the face of the shower compartment, shall be provided.



**FIGURE 1104.11.3.1.3.3(A)
TRANSFER-TYPE SHOWER COMPARTMENT IN TYPE B UNITS**

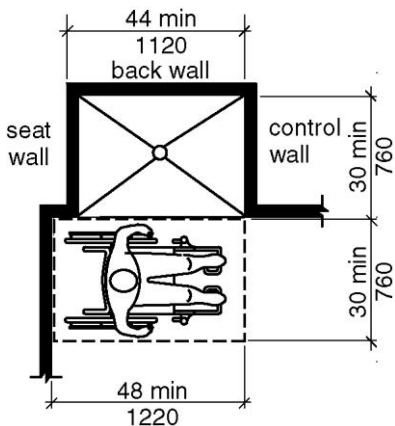


FIGURE 1104.11.3.1.3.3(B)

TRANSFER-TYPE SHOWER COMPARTMENT IN TYPE B UNITS EXCEPTION

REASON: The purpose of this proposal is to clarify that the shower is the only bathing fixture within the unit as opposed to the only bathing fixture within the bathroom. The proposal is consistent with HUD’s Fair Housing Design Manual which states the following:

Shower as Only Bathing Fixture

In both Specification A and B bathrooms, when a stall shower is the only bathing fixture in the covered dwelling unit it must be at least 36 inches x 36 inches in size. This also applies to any planned bathrooms on the primary entry level of covered multistory dwelling units in buildings with one or more elevators. Shower stalls of larger sizes and configurations are permitted, even when the shower stall is the only bathing fixture in the covered unit. (See page 7-58. Underlining added for emphasis.)

Both the Fair Housing Act Accessibility Guidelines and the preamble to the guidelines in the Federal Register use exactly the same phrasing as the Design Manual. The only change we have made is to substitute “dwelling unit” for “covered unit.”

Committee Action: AS AM D

1104.11.3.1.3.3-MAZZ.doc

| | | |
|--|-----------------------------------|----------------------------------|
| Report for 11-24- 2021 | | |
| <i>Committee decision: AS/AM/D</i> | <i>Committee Vote at Meeting:</i> | <i>Committee Vote on Ballot:</i> |
| REPORT OF HEARING: | | |
| Modification (if any): | | |
| Committee Reason: | | |
| PUBLIC COMMENT- FIRST DRAFT: | | |
| Proponent: | | |
| Desired Action: | | |
| Modification: | | |
| Reason: | | |
| <i>Committee decision: AS/AM/D</i> | <i>Committee Vote at Meeting:</i> | <i>Committee Vote on Ballot:</i> |
| REPORT OF HEARING – FIRST DRAFT | | |
| Modification (if any): | | |
| Committee Reason: | | |
| PUBLIC COMMENT- SECOND DRAFT: | | |
| Proponent: | | |
| Desired Action: | | |
| Modification: | | |
| Reason: | | |
| <i>Committee decision: AS/AM/D</i> | <i>Committee Vote at Meeting:</i> | <i>Committee Vote on Ballot:</i> |
| FINAL ACTION: | | |
| Modification (if any): | | |
| Committee Reason: | | |

11-25 – 2021

1104.11.3.1.3.3

Proponent: Lisa Pilorz, International Code Council, representing KMA LLC.

Revise as follows:

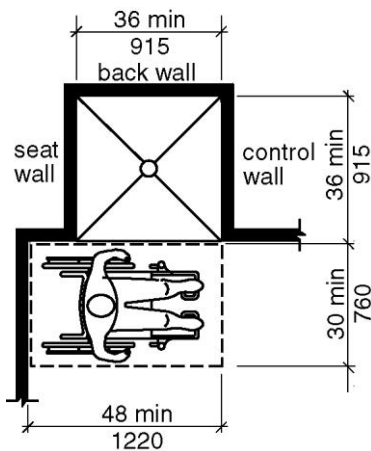
SECTION 1104 TYPE B UNITS

1104.11.3.1.3.3 Shower Compartment. If a shower compartment is the only bathing facility, the shower compartment shall have dimensions of 36 inches (915 mm) minimum in width and 36 inches (915mm) minimum in depth. A clearance of 48 inches (1220 mm) in length, measured perpendicular from the control wall, and 30 inches (760 mm) minimum in depth measured 3 inches (76 mm) maximum from the face of the shower shall be provided.

Exceptions:

1. A shower compartment with dimensions of 30 inches (760 mm) minimum in depth and 44 inches (1120 mm) minimum in width shall be permitted.
2. A shower door assembly shall be permitted where the assembly can be removed without removal or replacement of the surround walls and floor to which it is affixed.

Note: The committee should indicate if the offset should be shown and/or dimensioned on Figures 1104.11.3.1.3.3(A) and (B)



**FIGURE 1104.11.3.1.3.3(A)
TRANSFER-TYPE SHOWER COMPARTMENT IN TYPE B UNITS**

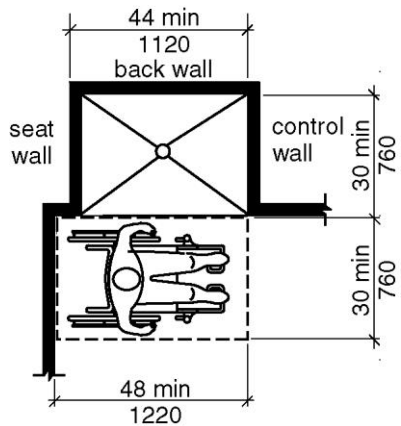
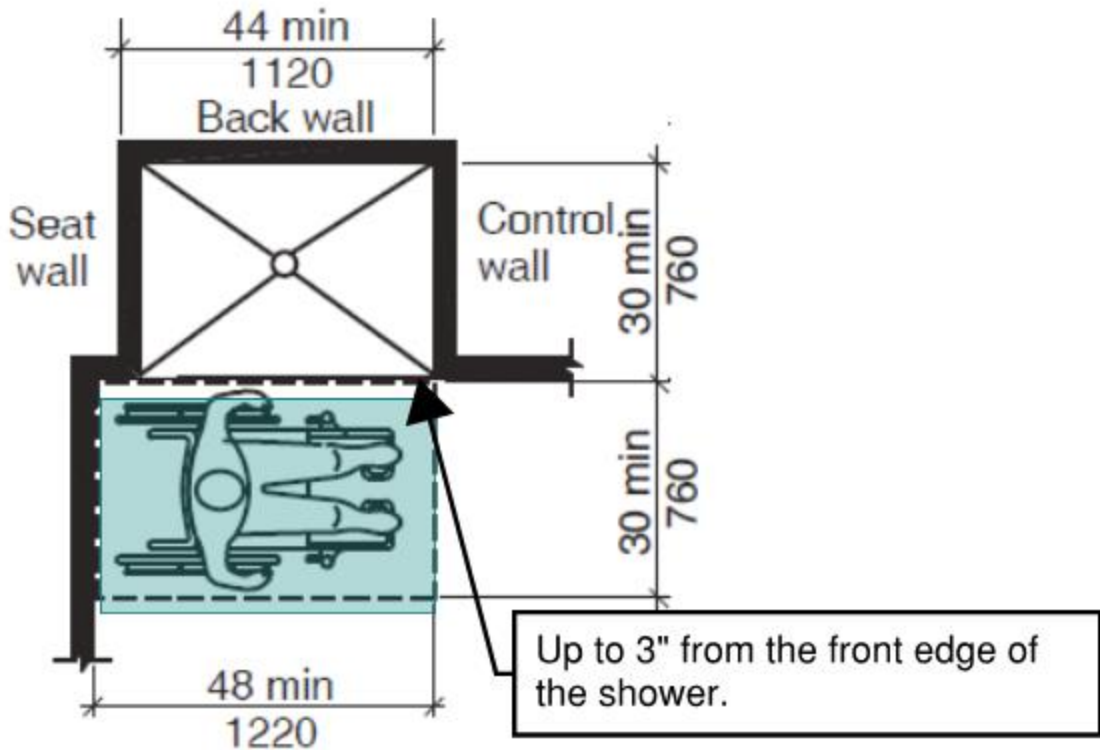


FIGURE 1104.11.3.1.3(B)
TRANSFER-TYPE SHOWER COMPARTMENT IN TYPE B UNITS EXCEPTION

REASON: I am proposing adding language to address designs where showers may be recessed (often due to the flange installation). Especially when the shower pan is < 48", this can create a situation where the minimum 30" x minimum 48" clearance is not flush with the shower. Allowing the clearance to be up to 3" from the face of the shower, will permit the construction/flange to be installed as needed and the required clearance to be compliant. In addition, the controls will still be within accessible reach range (< 24".) See graphic below.



**FIGURE 1104.11.3.1.3.3(B)
TRANSFER-TYPE SHOWER COMPARTMENT IN TYPE B UNITS
EXCEPTION**

Committee Action: AS AM D

1104.11.3.1.3.3-PILORZ.doc

| | | |
|--|-----------------------------------|----------------------------------|
| Report for 11-25- 2021 | | |
| <i>Committee decision: AS/AM/D</i> | <i>Committee Vote at Meeting:</i> | <i>Committee Vote on Ballot:</i> |
| REPORT OF HEARING: | | |
| Modification (if any): | | |
| Committee Reason: | | |
| PUBLIC COMMENT- FIRST DRAFT: | | |
| Proponent: | | |
| Desired Action: | | |
| Modification: | | |
| Reason: | | |
| <i>Committee decision: AS/AM/D</i> | <i>Committee Vote at Meeting:</i> | <i>Committee Vote on Ballot:</i> |
| REPORT OF HEARING – FIRST DRAFT | | |
| Modification (if any): | | |
| Committee Reason: | | |
| PUBLIC COMMENT- SECOND DRAFT: | | |
| Proponent: | | |
| Desired Action: | | |
| Modification: | | |
| Reason: | | |
| <i>Committee decision: AS/AM/D</i> | <i>Committee Vote at Meeting:</i> | <i>Committee Vote on Ballot:</i> |
| FINAL ACTION: | | |
| Modification (if any): | | |
| Committee Reason: | | |

11-26 – 2021

1104.11.3.1.3.3

Proponent: Lisa Pilorz, International Code Council, representing KMA LLC.

Revise as follows:

SECTION 1104 TYPE B UNITS

1104.11.3.1.3.3 Shower Compartment. If a shower compartment is the only bathing facility, the shower compartment shall have dimensions of 36 inches (915 mm) minimum in width and 36 inches (915mm) minimum in depth. A clearance of 48 inches (1220 mm) in length, measured perpendicular from the control wall, and 30 inches (760 mm) minimum in depth measured from the face of the shower shall be provided.

Exceptions:

1. A shower compartment with dimensions of 30 inches (760 mm) minimum in depth and 44 inches (1120 mm) minimum in width shall be permitted.
2. A sliding or swinging shower door assembly shall be permitted ~~where the assembly can be removed without removal or replacement of the surround walls and floor to which it is affixed.~~

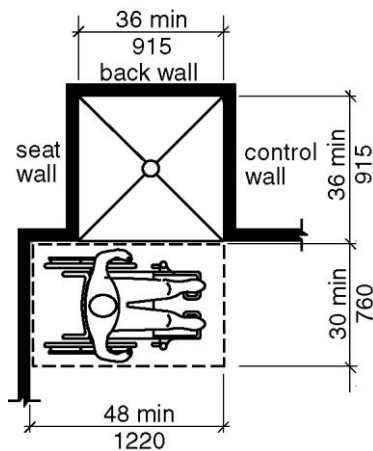
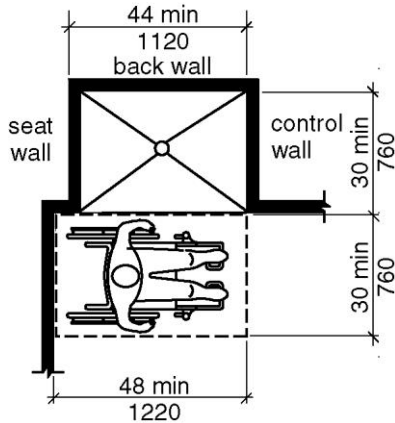


FIGURE 1104.11.3.1.3.3(A)
TRANSFER-TYPE SHOWER COMPARTMENT IN TYPE B UNITS



**FIGURE 1104.11.3.1.3.3(B)
TRANSFER-TYPE SHOWER COMPARTMENT IN TYPE B UNITS EXCEPTION**

REASON: The phrase regarding removal of the shower door does not align with the requirements/intentions of the Fair Housing Act (FHA) and it is my understanding that Type B unit requirements are intended to be consistent with the FHA requirements. The FHA does not limit the type of shower doors to be installed. In the Fair Housing Act Design Manual, some graphics indicate shower doors and the written text in italics (therefore not intended as a requirement) state, “sliding glass doors may have to be removed to provide openings large enough to allow a transfer from outside the shower (p. 7.75). It does not require removal of the portion of the enclosure that supports the shower door. Not providing shower doors can create additional burdens such as potential issues of water infiltration. The language to require special door assembly in showers in Type B is more restrictive than FHA requirements.

Committee Action: AS AM D

1104.11.3.1.3.3-PILORZ.doc

| | | |
|--|-----------------------------------|----------------------------------|
| Report for 11-26- 2021 | | |
| <i>Committee decision: AS/AM/D</i> | <i>Committee Vote at Meeting:</i> | <i>Committee Vote on Ballot:</i> |
| REPORT OF HEARING: | | |
| Modification (if any): | | |
| Committee Reason: | | |
| PUBLIC COMMENT- FIRST DRAFT: | | |
| Proponent: | | |
| Desired Action: | | |
| Modification: | | |
| Reason: | | |
| <i>Committee decision: AS/AM/D</i> | <i>Committee Vote at Meeting:</i> | <i>Committee Vote on Ballot:</i> |
| REPORT OF HEARING – FIRST DRAFT | | |
| Modification (if any): | | |
| Committee Reason: | | |
| PUBLIC COMMENT- SECOND DRAFT: | | |
| Proponent: | | |
| Desired Action: | | |
| Modification: | | |
| Reason: | | |
| <i>Committee decision: AS/AM/D</i> | <i>Committee Vote at Meeting:</i> | <i>Committee Vote on Ballot:</i> |
| FINAL ACTION: | | |
| Modification (if any): | | |
| Committee Reason: | | |

11-27 – 2021

1104.11.3.1.3, 1104.11.3.1.3.1, 1104.11.3.1.3.2, 1104.11.3.1.3.3, 1104.11.3.2.3.1; Figures 1104.11.3.1.3.1, 1104.11.3.1.3.2, 1104.11.3.1.3.3(A), 1104.11.3.1.3.3(B), 1104.11.3.2.3.1

Proponent: Thomas Hirsch, FAIA, Hirsch Group Architecture, representing self; M. Bradley Gaskins, AIA; Gina Hillberry for United Cerebral Palsy; Joe Jurkiewicz, AIA; Marsha Mazz for United Spinal Association; Edward Steinfeld, Arch.D, AIA; and Steven R. Winkel, FAIA, PE, CASp

Revise as follows:

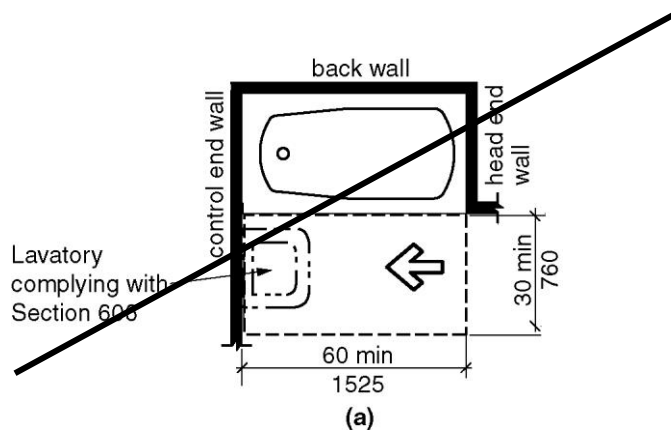
SECTION 1104 TYPE B UNITS

1104.11.3.1 Option A. *(no change)*

1104.11.3.1.3 Bathing fixtures. Where provided, a bathtub shall comply with Section 1104.11.3.1.3.1 or 1104.11.3.1.3.2 and a shower compartment shall comply with Section 1104.11.3.1.3.2 1104.11.3.1.3.3.

1104.11.3.1.3.1 Parallel approach to bathtubs. A transfer clearance of 60 inches (1525 mm) minimum in length and 48" (1220 mm) minimum shall be provided in front of bathtubs with a parallel approach. A clear floor space for toe clearance at the controls shall extend 4 inch (102 mm) minimum beyond the control end wall. Lavatories complying with Section 606 shall be permitted in the transfer and control clearance. ~~A lavatory complying with Section 1104.11.3.1.1 shall be permitted if a clearance 48" (1220 mm) in length and 30 inches (760 mm) minimum in width is provided in front of the bathtub.~~

Note: Replace Figure 1104.11.3.1.3.1 (a) and (b) with one figure. The new figure indicates the transfer clearance and the additional 4 inches required for the control clearance.



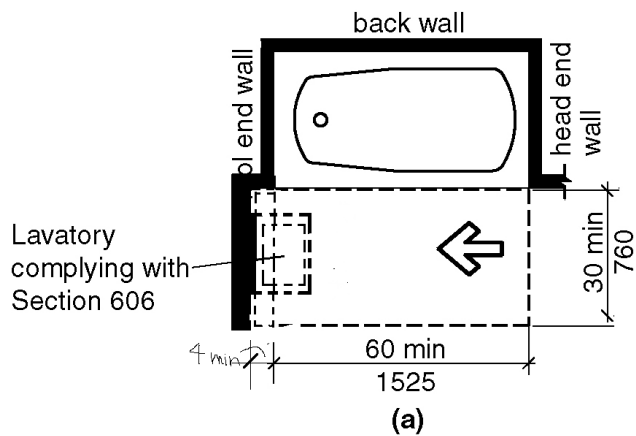
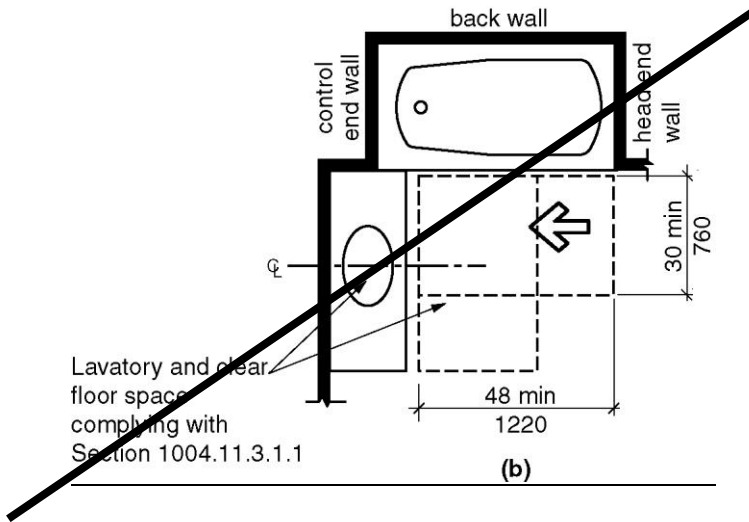


FIGURE 1104.11.3.1.3.1

PARALLEL APPROACH BATHTUB IN TYPE B UNITS - OPTION A BATHROOM

1104.11.3.1.3.2 Forward approach to bathtubs. A clearance of 60 inches (1525 mm) minimum in length and 48 inches (1220 mm) minimum shall be provided in front of bathtubs with a forward approach. A water closet and a lavatory shall be permitted in the clearance at the foot one end of the bathtub.

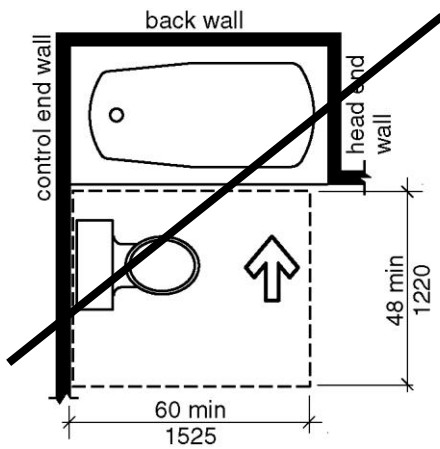


FIGURE 1104.11.3.1.3.2

~~FORWARD APPROACH BATHTUB IN TYPE B UNITS OPTION A BATHROOM~~

1104.11.3.1.3.2 1104.11.3.1.3.3 **Shower compartments.** If the shower compartment is the only bathing facility, the shower shall have dimensions of 36 inches minimum in width and 36 inches (915 mm) minimum in depth. A transfer clearance of 48 inches (1220 mm) minimum in length, measured perpendicular from the control wall, and 30 inches (760 mm) minimum in depth, measured from the face of the shower compartment, shall be provided. A clear floor space for toe clearance at the controls shall extend 4 inches (102 mm) minimum beyond the control end wall.

Exceptions:

1. A shower compartment with dimensions of 30 inches (760 mm) minimum in depth and 44 inches (1120 mm) minimum in width shall be permitted.
2. A shower door assembly shall be permitted where the assembly can be removed without removal or replacement of the surrounding walls and floor to which it is affixed.

Note: The figure will be revised to add the 4 inch minimum control clearance to Figures (a) and (b). This would also apply if there is a wall at the toe end of the clearance.

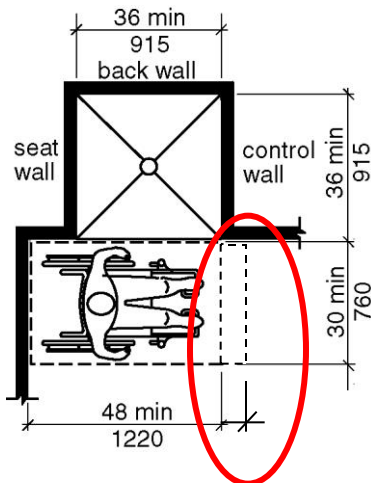


FIGURE 1104.11.3.1.3.2 1104.11.3.1.3.3 (A)
TRANSFER-TYPE SHOWER COMPARTMENT IN TYPE B UNITS

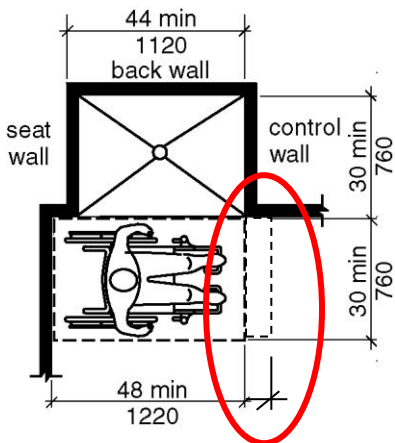


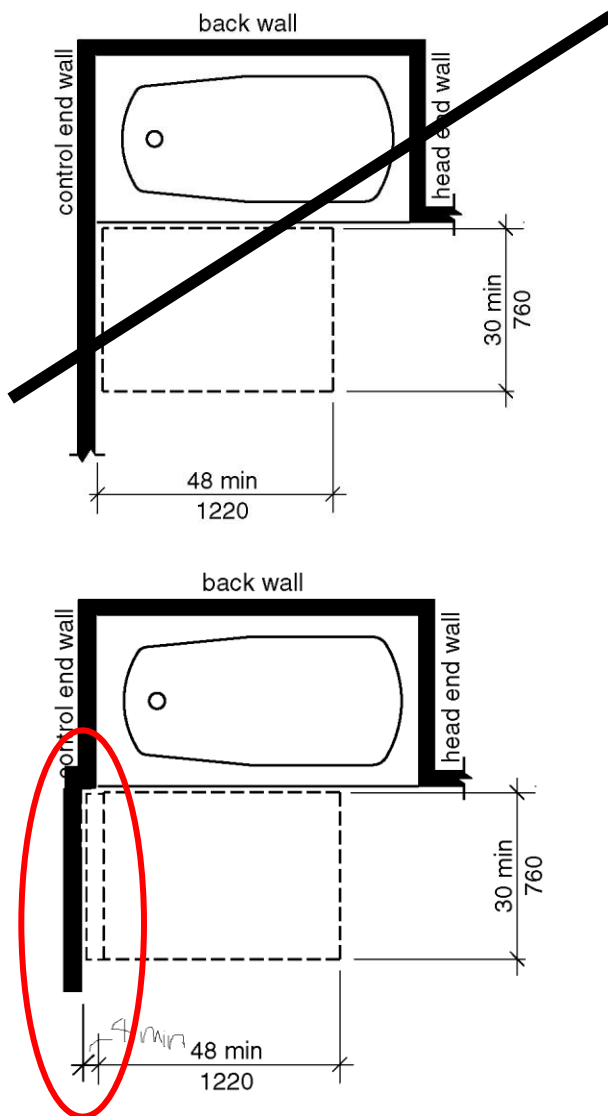
FIGURE 1104.11.3.1.3.2 1104.11.3.1.3.3 (B)
TRANSFER-TYPE SHOWER COMPARTMENT IN TYPE B UNITS EXCEPTION

1104.11.3.2 Option B. (no change)

1104.11.3.2.3 Bathing fixtures. The bathing fixture shall be a bathtub complying with Section 1104.11.3.2.3.1 or a shower compartment complying with Section 1104.11.3.2.3.2.

1104.11.3.2.3.1 Bathtub. A transfer clearance 48 inches (1220 mm) minimum in length measured perpendicular from the control end of the bathtub, and 30 inches (760 mm) minimum in width shall be provided in front of bathtubs. A clear floor space for toe clearance at the controls shall extend 4 inches (102 mm) minimum beyond the control end wall.

Note: Replace figure 1104.11.3.2.3.1 with the following. The figure will be revised to add the 4 inch minimum control clearance.



**FIGURE 1104.11.3.2.3.1
BATHROOM CLEARANCE IN TYPE B UNITS OPTION B BATHROOM**

1104.11.3.2.3.2 Shower compartment. A shower compartment shall comply with Section 1104.11.3.1.3.3.

REASON: Based on anthropometry, the provision of toe space past the control end of the fixture accomplishes realistic reach of the control for 90% of persons measured. The scoping change will result in all showers in Type B units meeting Sec 608 and eliminates the preference for tubs. In existing buildings “technical infeasibility” provides an exception for difficult situations.

Committee Action: AS AM D

1104.11.3.1.3.3-HIRSCH.doc

| Report for 11-27- 2021 | | |
|--|-----------------------------------|----------------------------------|
| <i>Committee decision: AS/AM/D</i> | <i>Committee Vote at Meeting:</i> | <i>Committee Vote on Ballot:</i> |
| REPORT OF HEARING: | | |
| Modification (if any): | | |
| Committee Reason: | | |
| PUBLIC COMMENT- FIRST DRAFT: | | |
| Proponent: | | |
| Desired Action: | | |
| Modification: | | |
| Reason: | | |
| <i>Committee decision: AS/AM/D</i> | <i>Committee Vote at Meeting:</i> | <i>Committee Vote on Ballot:</i> |
| REPORT OF HEARING – FIRST DRAFT | | |
| Modification (if any): | | |
| Committee Reason: | | |
| PUBLIC COMMENT- SECOND DRAFT: | | |
| Proponent: | | |
| Desired Action: | | |
| Modification: | | |
| Reason: | | |
| <i>Committee decision: AS/AM/D</i> | <i>Committee Vote at Meeting:</i> | <i>Committee Vote on Ballot:</i> |
| FINAL ACTION: | | |
| Modification (if any): | | |
| Committee Reason: | | |

11-28– 2021

1004.11.3.1.3, 1004.11.3.1.3.3, 1004.11.3.1.3.4(New)

Proponent: Kimberly Paarlberg, International Code Council

Revise as follows:

SECTION 1104 TYPE B UNITS

1104.11.3.1 Option A. Each fixture provided shall comply with Section 1104.11.3.1.

Exceptions:

1. Where multiple lavatories are provided in a single toilet and bathing area such that travel between fixtures does not require travel through other parts of the unit, not more than one lavatory is required to comply with Section 1104.11.3.1.
2. A lavatory and a water closet in a room containing only a lavatory and water closet, provided the room does not contain the only lavatory or water closet on the accessible level of the unit.

1104.11.3.1.3 Bathing fixtures. Where provided, a bathtub shall comply with Section 1104.11.3.1.3.1 or 1104.11.3.1.3.2 and a shower compartment shall comply with Section 1104.11.3.1.3.3 or 1104.3.1.3.4. A bathtub or shower enclosure is permitted where the assembly can removed without removal or replacement of the surrounding walls and floor to which it is affixed.

1104.11.3.1.3.1 Parallel approach bathtubs. A clearance 60 inches (1525 mm) minimum in length and 30 inches (760 mm) minimum in width shall be provided in front of bathtubs with a parallel approach. Lavatories complying with Section 606 shall be permitted in the clearance. A lavatory complying with Section 1104.11.3.1.1 shall be permitted at one end of the bathtub if a clearance 48 inches (1220 mm) minimum in length and 30 inches (760 mm) minimum in width is provided in front of the bathtub.

1104.11.3.1.3.2 Forward approach bathtubs. A clearance 60 inches (1525 mm) minimum in length and 48 inches (1220 mm) minimum in width shall be provided in front of bathtubs with a forward approach. A water closet and a lavatory shall be permitted in the clearance at one end of the bathtub.

1104.11.3.1.3.3 Parallel approach Shower compartment. ~~If a shower compartment is the only bathing facility, the~~ The shower compartment shall have dimensions of 36 inches (915 mm) minimum in width and 36 inches (915 mm) minimum in depth. A clearance of 48 inches (1220 mm) minimum in length, measured perpendicular from the control wall, and 30 inches (760 mm) minimum in depth, measured from the face of the shower compartment, shall be provided.

Exceptions Exception:

- ± A shower compartment with dimensions of 30 inches (760 mm) minimum in depth and 44 inches (1120 mm) minimum in width shall be permitted.

2. ~~A shower door assembly shall be permitted where the assembly can be removed without removal or replacement of the surrounding walls and floor to which it is affixed.~~

1104.11.3.1.3.4 Forward approach Shower compartment. The shower compartment shall have dimensions of 30 inches (760 mm) minimum in depth and 44 inches (1120 mm) minimum in width. A clearance 60 inches (1525 mm) minimum in length and 48 inches (1220 mm) minimum in width shall be provided in front of shower compartment with a forward approach. A water closet and a lavatory shall be permitted in the clearance at one side of the shower compartment.

REASON: The purpose of this proposal is to clarify enclosure requirements for bathtubs and showers, and to provide another option for showers.

1104.11.3.1.3 - Both bathtubs and showers may have enclosures. HUD confirmed that this was acceptable for Type B units last cycle (1104.11.3.1.3.3 exception 2), so the current language is relocated to make it generally applicable to tubs and showers.

1104.11.3.1.3.3 - There are often questions about “if a shower compartment is the only bathing facility”. Does this literally mean that if there is an accessible tub, the shower can be anything? This would set a minimum shower size.

1104.11.3.1.3.4 – This new option uses the 30” x 44” shower with the forward approach for bathtubs clearances. There are many existing Type B units that want to modify the bathrooms by switching out the bathtubs for showers. Moving the walls has many ramifications for the unit. Providing a shower with a 4” threshold is safer than asking someone to step over a bathtub side. It is my interpretation that this is a safer and more accessible option. If a person in a wheelchair could approach a bathtub in this configuration, there is no reason that same approach could not be equivalent or better for a shower.

Below are what is currently permitted, and what is proposed.

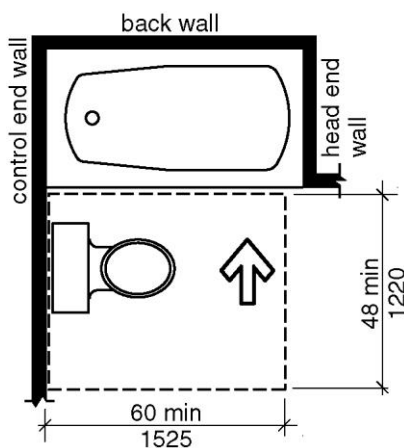


Figure 1104.11.3.1.3.2
Forward approach bathtubs in Type B units
Option A bathrooms

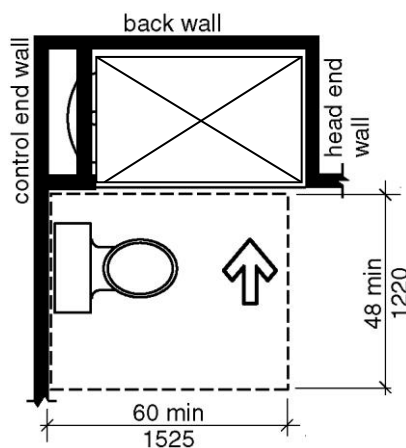


Figure 1104.11.3.1.3.4
Forward approach showers in Type B units
Option A bathrooms

Committee Action:

AS

AM

D

1104.11.3.1.3.3-PAARLBERG.doc

| | | |
|--|-----------------------------------|----------------------------------|
| Report for 11-28- 2021 | | |
| Committee decision: AS/AM/D | Committee Vote at Meeting: | Committee Vote on Ballot: |
| REPORT OF HEARING: | | |
| Modification (if any): | | |
| Committee Reason: | | |
| PUBLIC COMMENT- FIRST DRAFT: | | |
| Proponent: | | |
| Desired Action: | | |
| Modification: | | |
| Reason: | | |
| Committee decision: AS/AM/D | Committee Vote at Meeting: | Committee Vote on Ballot: |
| REPORT OF HEARING – FIRST DRAFT | | |
| Modification (if any): | | |
| Committee Reason: | | |
| PUBLIC COMMENT- SECOND DRAFT: | | |
| Proponent: | | |
| Desired Action: | | |
| Modification: | | |
| Reason: | | |
| Committee decision: AS/AM/D | Committee Vote at Meeting: | Committee Vote on Ballot: |
| FINAL ACTION: | | |
| Modification (if any): | | |
| Committee Reason: | | |

11-29 – 2021

1106.2 Commentary

Proponent: Richard Roberts, Honeywell, representing National Electrical Manufacturers Association (NEMA)

Staff Note: This proposal is a revision to the commentary for ICC A117.1 Section 1106.2. There is no suggested revisions to the text.

1106.2 Unit smoke detection. Where provided, unit smoke detection shall include audible notification complying with NFPA 72 listed in Section 106.2.4.

Revise commentary as follows:

In occupancies with sleeping areas, occupants must be notified in a fire so they can promptly evacuate the premises. Dwelling-unit or sleeping-unit smoke detection is typically provided by a single-station or multiple-station smoke alarm. Section 907.2.11.7 of the International Building Code permits smoke detectors that are part of the building fire alarm system shall be an acceptable alternative to single- and multiple-station smoke alarms. A single-station smoke alarm is a self-contained alarm device that detects visible or invisible particles of combustion. Its function is to detect a fire in the immediate area of the detector location. Where the single-station smoke alarms are interconnected with other single-station devices, they are considered a multiple-station smoke alarm system. Single-station smoke alarms are not capable of notifying or controlling any other fire protection equipment or system. They may be battery powered, directly connected to the building power supply or both. Multiple-station smoke alarms are self-contained smoke-activated alarm devices that can be interconnected with other devices, so all integral or separate alarms will operate when any one device is activated. Model codes typically specify where dwelling or sleeping unit smoke detection will be required within a dwelling or sleeping unit. In dwelling units, this is typically outside each sleeping area, in each sleeping room and on each story in a multistory unit. In congregate living arrangements requirements are similar. In hotels, dormitories, or other types of sleeping units, the smoke alarms must be in sleeping rooms and in any room between the sleeping room and the entrance to the unit (e.g., living area of a suite). Smoke alarms must be interconnected within the unit (i.e., activation of one smoke alarm will set off all smoke alarms within the unit). For successful smoke alarm operation and performance, single- and multiple-station smoke alarms must be listed in accordance with UL 217 and smoke detectors must be listed in accordance with UL 268. Smoke alarms and smoke detectors must be installed to comply with the model code and NFPA 72, which contains the minimum requirements for the selection, installation, operation, and maintenance of fire warning equipment for use in family living units. Model codes and NFPA 72 use the term “smoke alarms” rather than “smoke detectors” because they are independent of a fire alarm system and include an integral alarm notification device. This section requires that the unit smoke detectors have an audible notification in accordance with NFPA 72. The section relating to private mode signaling in Chapter 18 of NFPA 72 requires a minimum average ambient sound level for smoke alarms in the private mode to be greater than 10 dBA above average ambient sound level or 5 dBA above the maximum sound level (NFPA 72, Section

7.4.3). ~~Within a sleeping area,~~ The section relating to sleeping area signaling in Chapter 18 of NFPA 72 requires the audible alarm requirement is to be at least 15 dB above the average ambient sound level, 5 dB above the maximum sound level or at least 75 dBA, whichever is greater (NFPA 72, Section 7.4.4)

REASON: This proposal has two objectives.

1. Clarify that the International Building Code permits smoke detectors that are part of the building fire alarm system shall be an acceptable alternative to single- and multiple-station smoke alarms
2. Replace outdated NFPA 72 section numbers with a general reference to the applicable Chapter and section

Committee Action: AS AM D
1106.2 Commentary-ROBERTS.doc

| | | |
|--|-----------------------------------|----------------------------------|
| Report for 11-29- 2021 | | |
| <i>Committee decision: AS/AM/D</i> | <i>Committee Vote at Meeting:</i> | <i>Committee Vote on Ballot:</i> |
| REPORT OF HEARING: | | |
| Modification (if any): | | |
| Committee Reason: | | |
| PUBLIC COMMENT- FIRST DRAFT: | | |
| Proponent: | | |
| Desired Action: | | |
| Modification: | | |
| Reason: | | |
| <i>Committee decision: AS/AM/D</i> | <i>Committee Vote at Meeting:</i> | <i>Committee Vote on Ballot:</i> |
| REPORT OF HEARING – FIRST DRAFT | | |
| Modification (if any): | | |
| Committee Reason: | | |
| PUBLIC COMMENT- SECOND DRAFT: | | |
| Proponent: | | |
| Desired Action: | | |
| Modification: | | |
| Reason: | | |
| <i>Committee decision: AS/AM/D</i> | <i>Committee Vote at Meeting:</i> | <i>Committee Vote on Ballot:</i> |
| FINAL ACTION: | | |
| Modification (if any): | | |
| Committee Reason: | | |

11-30 – 2021

106.2.5(New), 1106.2.1 (New)

Proponent: Richard Roberts, Honeywell, representing National Electrical Manufacturers Association (NEMA)

Add new text as follows:

SECTION 1106 UNITS WITH COMMUNICATION FEATURES

1106.1 General. Units required to have communication features shall comply with Section 1106.

1106.2 Unit smoke detection. Where provided, unit smoke detection shall include audible notification complying with NFPA 72 listed in Section 106.2.4.

1106.2.1 Unit smoke detection in sleeping rooms. Where provided in dwelling units of apartment buildings, unit smoke detection with 520 Hz low frequency audible alarm signal shall be provided in accordance with Section 907.5.2.1.3 of the International Building Code.

SECTION 106 REFERENCED DOCUMENTS

106.2.5 International Building Code. International Code Council (ICC) International Building Code-2021.

REASON: This Proposal adds a new section to Standard that seeks to enhance the waking effectiveness of at-risk segments of the population such as people over 65, people who are hard of hearing, school age children and people who are alcohol or drug impaired. Section 907.5.2.1.3 of the International Building Code requires the 520 Hz low frequency signal in sleeping areas of new Group R-1 and R-2 buildings that are required to have a fire alarm system because peer-reviewed research, referenced below, has concluded the 520 Hz low frequency is superior to the traditional 3 KHz audible alarm signal in awakening high at-risk segments of the population.

Peer reviewed Research:

[Optimizing Fire Alarm Notification for High Risk Groups Research Project](#)

[Waking effectiveness of alarms \(auditory, visual and tactile\) for adults who are hard of hearing](#)

Committee Action: AS AM D

1106.2.1-ROBERTS.doc

| | | |
|--|-----------------------------------|----------------------------------|
| Report for 11-30– 2021 | | |
| <i>Committee decision: AS/AM/D</i> | <i>Committee Vote at Meeting:</i> | <i>Committee Vote on Ballot:</i> |
| REPORT OF HEARING: Modification (if any): | | |

| | | |
|--|-----------------------------------|----------------------------------|
| Report for 11-30- 2021 | | |
| Committee Reason: | | |
| PUBLIC COMMENT- FIRST DRAFT: | | |
| Proponent: | | |
| Desired Action: | | |
| Modification: | | |
| Reason: | | |
| Committee decision: AS/AM/D | Committee Vote at Meeting: | Committee Vote on Ballot: |
| REPORT OF HEARING – FIRST DRAFT | | |
| Modification (if any): | | |
| Committee Reason: | | |
| PUBLIC COMMENT- SECOND DRAFT: | | |
| Proponent: | | |
| Desired Action: | | |
| Modification: | | |
| Reason: | | |
| Committee decision: AS/AM/D | Committee Vote at Meeting: | Committee Vote on Ballot: |
| FINAL ACTION: | | |
| Modification (if any): | | |
| Committee Reason: | | |

11-31 – 2021

106.2.5(New), 1106.3

Proponent: Richard Roberts, Honeywell, representing National Electrical Manufacturers Association (NEMA)

Revise as follows:

**SECTION 1106
UNITS WITH COMMUNICATION FEATURES**

1106.3 Building fire alarm system. Where a building fire alarm system is provided, the system wiring shall be extended to a point within the unit in the vicinity of the unit smoke detection system comply with Section 907.5.2.3.3 of the International Building Code.

**SECTION 106
REFERENCED DOCUMENTS**

106.2.5 International Building Code. International Code Council (ICC) International Building Code-2021.

REASON: This proposal amends Section 1106.3 to align with a change made to Section 907.5.2.3.3 of the 2021 edition of the International Building Code that provide reasonable, clear, and enforceable language for system designers and code enforcement officials unit for the possibility of installing strobes lights after the dwelling unit was retrofitted for hearing impaired occupants. The proposal is needed because the current requirement in 1106.3 is vague and costly. Many code enforcement officials and engineers require **every** dwelling unit and bedroom to be pre-wired for the future possibility of installing visual notification device(s) that are connected to the building fire alarm system. In summary Section 907.5.2.3.3 now requires the following:

- Permits building fire alarm system wireless equipment as an acceptable technology for providing visible notification for hearing impaired occupants.
- The building fire alarm system circuits are **only** required to be run to a single access point on every story and they are not required to be extended beyond that single access point.
- Allows connecting a strobe light to the existing dwelling unit smoke alarm
- Provides the fire alarm industry with a standardized basis for designing excess power capacity into systems. The system is now required to have a minimum 5% excess power capacity to accommodate the possibility of installing strobes lights after the dwelling unit is retrofitted for hearing impaired occupants.

Below is the actual requirement of Section 907.5.2.3.3 of the 2021 edition of the International Building Code.

907.5.2.3.3 Group R-2. In Group R-2 occupancies required by Section 907 to have a fire alarm system, each story that contains dwelling units and sleeping units shall be provided with the capability to support future visible alarm notification appliances in accordance with Chapter 11 of ICC A117.1. Such capability shall accommodate wired or wireless equipment.

907.5.2.3.3.1 Wired equipment. Where wired equipment is used to comply with the future capability required by Section 907.5.2.3.3, the system shall include one of the following capabilities:

1. The replacement of audible appliances with combination audible/visible appliances or additional visible notification appliances.
2. The future extension of the existing wiring from the unit smoke alarm locations to required locations for visible appliances.
3. For wired equipment, the fire alarm power supply and circuits shall have not less than 5% excess capacity to accommodate future addition of visible alarm notification appliances, and a single access point to such circuits shall be available on every story. Such circuits shall not be required to be extended beyond a single access point on a story. The fire alarm system shop drawings required by Section 907.1.2 of the Code shall include the power supply and circuit documentation to accommodate future addition of visible notification appliances

Committee Action: AS AM D

1106.3 ROBERTS.doc

| | | |
|--|-----------------------------------|----------------------------------|
| Report for 11-31- 2021 | | |
| <i>Committee decision: AS/AM/D</i> | <i>Committee Vote at Meeting:</i> | <i>Committee Vote on Ballot:</i> |
| REPORT OF HEARING: | | |
| Modification (if any): | | |
| Committee Reason: | | |
| PUBLIC COMMENT- FIRST DRAFT: | | |
| Proponent: | | |
| Desired Action: | | |
| Modification: | | |
| Reason: | | |
| <i>Committee decision: AS/AM/D</i> | <i>Committee Vote at Meeting:</i> | <i>Committee Vote on Ballot:</i> |
| REPORT OF HEARING – FIRST DRAFT | | |
| Modification (if any): | | |
| Committee Reason: | | |
| PUBLIC COMMENT- SECOND DRAFT: | | |
| Proponent: | | |
| Desired Action: | | |
| Modification: | | |
| Reason: | | |
| <i>Committee decision: AS/AM/D</i> | <i>Committee Vote at Meeting:</i> | <i>Committee Vote on Ballot:</i> |
| FINAL ACTION: | | |
| Modification (if any): | | |
| Committee Reason: | | |

11-32 – 2021

1106.3, 1106.6

Proponent: Robert D. Feibleman, HAND Construction Company, representing self.

Revise as follows:

SECTION 1106 UNITS WITH COMMUNICATION FEATURES

1106.3 Building fire alarm system. Where a building fire alarm system is provided, the system wiring shall be extended to a point within the unit in the vicinity of the unit smoke detection system.

Exception: Notification of the building fire alarm system shall be permitted to be provided by a wireless addressable device.

1106.6 Site, building or floor entrance. Where a system permitting voice communication between a visitor and the occupant of the unit is provided at a location other than the unit entry door, the system shall comply with Section 1106.6.

Exception: Systems connected to the unit wired telephone system. Add to 1106.3 Or by a wireless addressable device.

1106.6.1 Public or common-use interface. The public or common-use system interface shall include the capability of supporting voice and TTY communication with the unit interface.

1106.6.2 Unit interface. The unit system interface shall include a telephone jack capable of supporting voice and TTY communication with the public or common-use system interface.

REASON: Not provided.

Committee Action: AS AM D

1106-FEIBLEMAN.doc

| | | |
|--|-----------------------------------|----------------------------------|
| Report for 11-32-2021 | | |
| <i>Committee decision: AS/AM/D</i> | <i>Committee Vote at Meeting:</i> | <i>Committee Vote on Ballot:</i> |
| REPORT OF HEARING: | | |
| Modification (if any): | | |
| Committee Reason: | | |
| PUBLIC COMMENT- FIRST DRAFT: | | |
| Proponent: | | |
| Desired Action: | | |
| Modification: | | |
| Reason: | | |
| <i>Committee decision: AS/AM/D</i> | <i>Committee Vote at Meeting:</i> | <i>Committee Vote on Ballot:</i> |
| REPORT OF HEARING – FIRST DRAFT | | |
| Modification (if any): | | |
| Committee Reason: | | |
| PUBLIC COMMENT- SECOND DRAFT: | | |

Report for 11-32-2021

| | | |
|------------------------------------|-----------------------------------|----------------------------------|
| Proponent: | | |
| Desired Action: | | |
| Modification: | | |
| Reason: | | |
| Committee decision: AS/AM/D | Committee Vote at Meeting: | Committee Vote on Ballot: |
| FINAL ACTION: | | |
| Modification (if any): | | |
| Committee Reason: | | |

Appendix A-01 – 2021

Appendix A1(New) and A2(New)

Proponent: Gina Hilberry, Cohen Hilberry Architects, representing A117.1 Scoping Task Group

Add new text as follows:

Staff note: This entire item is new. Underline has been left off for clarity.

APPENDIX A1 SAMPLE ORDINANCE

The provisions contained in this appendix are not mandatory unless specifically adopted by the authority having jurisdiction.

User note: Appendix A1 provides a sample ordinance for adoption of the 2023 ICC A117.1 along with the Appendix A2 Scoping.

Jurisdictions wishing to adopt the 2023 ICC A117.1 standard as an enforceable regulation governing structures and facilities should ensure that certain factual information is included in the adopting legislation at the time adoption is being considered by the appropriate governmental body. The following sample adoption legislation addresses several key elements, including the information required for insertion into the standard text.

SAMPLE LEGISLATION FOR ADOPTION OF THE INTERNATIONAL BUILDING CODE ORDINANCE NO. _____

A[N] [ORDINANCE/STATUTE/REGULATION] of the [JURISDICTION] adopting the 2023 edition of the ICC A117.1 Standard for Accessible and Usable Buildings and Facilities, hereinafter referred to as the 2023 ICC A117.1 Standard, regulating and governing the conditions and alterations of all property, buildings and structures; by providing the standards for elements and facilities and other physical things and conditions essential to ensure that structures are accessible and fit for occupation and use of such structures in the [JURISDICTION]; providing for the issuance of permits and collection of fees therefor; repealing [ORDINANCE/STATUTE/REGULATION] No. _____ of the [JURISDICTION] and all other ordinances or parts of laws in conflict therewith.

The [GOVERNING BODY] of the [JURISDICTION] does ordain as follows:

Section 1. That a certain document, three (3) copies of which are on file in the office of the [TITLE OF JURISDICTION'S KEEPER OF RECORDS] of [NAME OF JURISDICTION], being marked and designated as the 2023 ICC A117.1 Standard, including Appendix A2, as published by the International Code Council, be and is hereby adopted as the

Accessibility Code of the [JURISDICTION], in the State of [STATE NAME] for regulating and governing the conditions and alterations of all property, buildings and structures; by providing the standards for elements and facilities and other physical things and conditions essential to ensure that structures are accessible and fit for occupation and use of such structures in the [JURISDICTION] are hereby referred to, adopted, and made a part hereof, as if fully set out in this legislation, with the additions, insertions, deletions and changes, if any, prescribed of this ordinance.

Section 2. These regulations shall be known as the standard for Accessible and Usable Buildings and Facilities of [NAME OF JURISDICTION], hereinafter referred to as “this standard.”

Section 3. That where there is a conflict between a general requirement and a specific requirement, the specific requirement shall be applicable. Where, in any specific case, different sections of this code specify different materials, methods of construction or other requirements, the most restrictive shall govern.

Section 4. That the provisions of this code shall not be deemed to nullify any provisions of local, state or federal law.

Section 5. That the standard referenced in Appendix A2 shall be considered to be part of the requirements of this standard to the prescribed extent of each such reference.

Section 6. That [ORDINANCE/STATUTE/REGULATION] No. _____ of [JURISDICTION] entitled [FILL IN HERE THE COMPLETE TITLE OF THE LEGISLATION OR LAWS IN EFFECT AT THE PRESENT TIME SO THAT THEY WILL BE REPEALED BY DEFINITE MENTION] and all other ordinances or parts of laws in conflict herewith are hereby repealed.

Section 7. That if any section, subsection, sentence, clause or phrase of this legislation is, for any reason, held to be unconstitutional, such decision shall not affect the validity of the remaining portions of this ordinance. The [GOVERNING BODY] hereby declares that it would have passed this law, and each section, subsection, clause or phrase thereof, irrespective of the fact that any one or more sections, subsections, sentences, clauses and phrases be declared unconstitutional.

Section 8. That nothing in this legislation or in the Accessibility Standard hereby adopted shall be construed to affect any suit or proceeding impending in any court, or any rights acquired, or liability incurred, or any cause or causes of action acquired or existing, under any act or ordinance hereby repealed as cited in Section 3 of this law; nor shall any just or legal right or remedy of any character be lost, impaired or affected by this legislation.

Section 9. That the [JURISDICTION’S KEEPER OF RECORDS] is hereby ordered and directed to cause this legislation to be published. (An additional provision may be required to direct the number of times the legislation is to be published and to specify that it is to be in a newspaper in general circulation. Posting may also be required.)

Section 10. That this law and the rules, regulations, provisions, requirements, orders and matters established and adopted hereby shall take effect and be in full force and effect [TIME PERIOD] from and after the date of its final passage and adoption.

APPENDIX A2 SCOPING

The provisions contained in this appendix are not mandatory unless specifically adopted by the authority having jurisdiction.

User note: The purpose of this appendix is to provide scoping provisions that are coordinated with the technical criteria provided in this standard. This would be a replacement for the scoping provisions adopted by the administrative authority in the adopted building code.

SECTION A201 APPLICATION AND ADMINISTRATION

A201 General. This appendix contains scoping requirements for accessibility to sites, facilities, buildings, and elements by individual with disabilities. Technical requirements are provided in Chapters 3 through 11 of this standard.

A201.1 Scope. All areas of newly designed and newly constructed buildings and facilities and altered portions of existing buildings and facilities shall comply with these scoping requirements unless specifically exempted or a limited number of like elements is specified.

A201.2 Definitions. The definitions in this section are in addition to the definitions in Section 107 and are subject to the same conditions regarding defined and undefined terms and interchangeability.

Addition. An extension or increase in gross floor area including, but not limited to, balconies and occupied roofs, number of stories, or height of a building or facility.

Alteration. Any construction or renovation to an existing structure other than repair or addition. Alterations include, but are not limited to, remodeling, renovation, rehabilitation, reconstruction, historic restoration, resurfacing of circulation paths or vehicular ways, changes or rearrangement of the structural parts or elements, and changes or rearrangement in the plan configuration of walls and full-height partitions. Normal maintenance, reroofing, painting or wallpapering, or changes to mechanical and electrical systems are not alterations for the purpose of these requirements.

Area of refuge. An area where persons unable to use stairways can remain temporarily to await instructions or assistance during emergency evacuation.

Assisted Use. Long-term housing and care for residents who are generally active, but may need support with activities of daily living, such as bathing, dressing, and using the toilet and providing personalized care, meals, social activities in a residential setting.

Building. Any structure utilized or intended for supporting or sheltering any use or occupancy.

Change in Occupancy. Either of the following shall be considered as a change of occupancy where this standard requires a greater degree of safety, accessibility, structural strength, fire protection, means of egress, ventilation or sanitation than is existing in the current building or structure:

1. Any change in the occupancy classification of a building or structure.
2. Any change in the purpose of, or a change in the level of activity within, a building or structure.

Cluster. A group of similar things positioned closely together.

Electric Vehicle Charging Station. One or more vehicle spaces served by an electric vehicle charging system.

Entrance. Any access point to a building or portion of a building or facility used for the purpose of entering. An entrance includes the approach walk, the vertical access leading to the entrance platform, the entrance platform itself, vestibule if provided, the entry door or gate, and the hardware of the entry door or gate.

Government building. A building or facility, or portion thereof, designed, constructed, or altered by, on behalf of, or for the use of a state, local, or U.S. federal government entity.

Historic Building. Any building that meets at least one of the following conditions:

1. Listed or certified as eligible for listing by the State Historic Preservation Officer or the Keeper of the National Register of Historic Places, in the National Register of Historic Places.
2. Designated as historic under an applicable state or local law.

Key Station. Rapid and light rail stations, and commuter rail stations, as defined under criteria established by the Department of Transportation in 49 CFR 37.47 and 49 CFR 37.51, respectively.

Limited Access Spaces. *Spaces* accessed only by ladders, catwalks, crawl *spaces*, or very narrow passageways shall not be required to comply with these requirements or to be on an *accessible* route.

Machinery Spaces. *Spaces* frequented only by service personnel for maintenance, repair, or occasional monitoring of equipment shall not be required to comply with these requirements or to be on an *accessible* route. Machinery *spaces* include, but are not limited to, elevator pits or elevator penthouses; mechanical, electrical or communications equipment rooms; piping or

equipment catwalks; water or sewage treatment pump rooms and stations; electric substations and transformer vaults; and highway and tunnel utility *facilities*.

Mail Boxes. Receptacles for the receipt of documents, packages, or other deliverable matter. Mail boxes include, but are not limited to, post office boxes and receptacles provided by commercial mail-receiving agencies, residential facilities, or schools.

Mezzanine. An intermediate level or levels between the floor and ceiling of any story with an aggregate floor area of not more than one-third of the area of the room or space in which the level or levels are located. The clear height above and below mezzanine floor construction shall be not less than 7 feet (2134mm).

Occupant Load. The number of persons for which the means of egress of a building or portion of a building is designed.

Primary Function. A primary function is a major activity for which the facility is intended. Areas that contain a primary function include, but are not limited to, the customer service lobby of a bank, the dining area of a cafeteria, the meeting rooms in a conference center, as well as offices and other work areas in which the activities of the public accommodation or other private entity using the facility are carried out. Mechanical rooms, boiler rooms, supply storage rooms, employee lounges or locker rooms, janitorial closets, entrances, corridors, and toilet rooms and bathing rooms are not areas containing a primary function.

Public Entrance. An entrance that is not a service entrance or a restricted entrance.

Public Use Areas. Interior or exterior rooms, spaces, or elements that are made available to the public.

Public Way. Any street, alley or other parcel of land open to the outside air leading to a public street, which has been deeded, dedicated or otherwise permanently appropriated to the public for public use and which has a clear width and height of not less than 10 feet (3050 mm).

Religious Worship, Place Of. A building or portion thereof intended for the performance of religious services.

Restricted Entrance. An entrance that is made available for common use on a controlled basis but not public use and that is not a service entrance.

Self-Service Storage. Building or facility designed and used for the purpose of renting or leasing individual storage spaces to customers for the purpose of storing and removing personal property on a self-service basis.

Service Entrance. An entrance intended primarily for delivery of goods or services.

Social service center establishment. A day care center, senior citizen center, homeless shelter, food bank, adoption agency or similar establishment.

Stair. A change in elevation, consisting of one or more risers.

Stairway. One or more flights of stairs, either exterior or interior, with the necessary landings and platforms connecting them, to form a continuous and uninterrupted passage from one level to another.

Story. That portion of a building or facility designed for human occupancy included between the upper surface of a floor and upper surface of the floor or roof next above. A story containing one or more mezzanines has more than one floor level.

Structural Frame. The columns and the girders, beams, trusses, and all other members that are essential to the stability of the building or facility as a whole.

Technically Infeasible. With respect to an alteration of a building or a facility, something that has little likelihood of being accomplished because existing structural conditions would require removing or altering a load-bearing member that is an essential part of the structural frame; or because other existing physical or site constraints prohibit modification or addition of elements, spaces, or features that are in full and strict compliance with the minimum requirements.

Transient Lodging. A building or facility containing one or more guest room(s) for sleeping that provides accommodations typically for periods of 30 days or less. Transient lodging does not include residential dwelling units intended to be used as a residence, inpatient medical care facilities, licensed long-term care facilities, or detention or correctional facilities. Private buildings or facilities that contain not more than five rooms for rent or hire and that are actually occupied by the proprietor as the residence of such proprietor are not included in transient lodgings covered by this Appendix.

Type A Unit. A dwelling unit or sleeping unit designed and constructed for accessibility in accordance with this standard for Type A units.

Type B Unit. A dwelling unit or sleeping unit designed and constructed for accessibility in accordance this standard for Type B units, consistent with the design and construction requirements of the federal Fair Housing Act.

Work Area Equipment. Any machine, instrument, engine, motor, pump, conveyor, or other apparatus used to perform work. As used in this document, this term shall apply only to equipment that is permanently installed or built-in in employee work areas. Work area equipment does not include passenger elevators and other accessible means of vertical transportation.

SECTION A202 ACCESSIBILITY REQUIRED

A202.1 General. Newly constructed buildings and facilities shall be accessible to the extent specified in this section and Section A203.

Alternation, additions, and changes of occupancy to existing buildings and facilities shall comply with Section A204.

A202.1.1 Application Based on Building or Facility Use. Where a site, building, facility, room, or space contains more than one use, each portion shall comply with the applicable requirements for that use. A room or space that is intended to be occupied at different times for different purposes shall comply with all of the requirements that are applicable to each of the purposes for which the room or space will be occupied

A202.1.2 Temporary and Permanent Structures. These requirements shall apply to temporary and permanent buildings and facilities.

A202.2 General exceptions. Sites, buildings, structures, facilities, elements and spaces shall be exempt from this standard to the extent specified in this section.

A202.2.1 Construction Sites. Structures, sites and equipment directly associated with the actual processes of construction, including but not limited to, scaffolding, bridging, materials hoists, materials storage, and construction trailers shall not be required to comply with these requirements or to be on an accessible route. Portable toilet units provided for use exclusively by construction personnel on a construction site shall not be required to comply with A202.10 or to be on an accessible route.

A202.2.2 Raised Areas. Areas raised primarily for purposes of security, life safety, or fire safety, including but not limited to, observation or lookout galleries, prison guard towers, fire towers, or life guard stands shall not be required to comply with these requirements or to be on an accessible route.

A202.2.3 Limited Access Spaces. Spaces accessed only by ladders, catwalks, crawl spaces, or very narrow passageways shall not be required to comply with these requirements or to be on an accessible route.

A202.2.4 Machinery Spaces. Spaces frequented only by service personnel for maintenance, repair, or occasional monitoring of equipment shall not be required to comply with these requirements or to be on an accessible route. Machinery spaces include, but are not limited to, elevator pits or elevator penthouses; mechanical, electrical, fire pump or communications equipment rooms; piping or equipment catwalks; water or sewage treatment pump rooms and stations; electric substations and transformer vaults; and highway and tunnel utility facilities.

A202.2.5 Single Occupant Structures. Single occupant structures accessed only by passageways below grade or elevated above standard curb height, including but not limited to, toll booths that are accessed only by underground tunnels, shall not be required to comply with these requirements or to be on an accessible route.

A202.2.6 Employee Work Areas. Spaces and elements within employee work areas shall only be required to comply with Sections A202.17, A202.3.2.9 and A202.4, and shall be designed and constructed so that individuals with disabilities can approach, enter, and exit the employee work area. Employee work areas, or portions of employee work areas, that are less than 300 square feet (28 m²) and elevated 7 inches (180 mm) or more above the finish floor or ground where the elevation is essential to the function of the space shall not be required to comply with these requirements or to be on an accessible route.

A202.2.7 Walk-in coolers and freezers. Walk-in cooler and freezer equipment accessed only from employee work areas is not required to comply with these requirements or to be on an accessible route.

A202.2.8 Raised Refereeing, Judging, and Scoring Areas. Raised structures used solely for refereeing, judging, or scoring a sport shall not be required to comply with these requirements or to be on an accessible route.

A202.2.9 Animal Containment Areas. Animal containment areas that are not for public use shall not be required to comply with these requirements or to be on an accessible route.

A202.2.10 Raised Boxing or Wrestling Rings. Raised boxing or wrestling rings shall not be required to comply with these requirements or to be on an accessible route.

A202.2.11 Detention and Correctional Facilities. In detention and correctional facilities, common use areas that are used only by inmates or detainees and security personnel and that do not serve holding cells or housing cells required to comply with Section A203.5, shall not be required to comply with these requirements or to be on an accessible route.

A202.3 Accessible Routes

A202.3.1 General. Accessible routes shall comply with Section A202.3 and shall comply with Chapter 4.

A202.3.2 Where Required. Accessible routes shall be provided where required by Section A202.3.2.

A202.3.2.1 Site Arrival Points. At least one accessible route shall be provided within the site from accessible parking spaces and accessible passenger loading zones; public streets and sidewalks; and public transportation stops to the accessible building or facility entrance they serve.

EXCEPTION: Other than in buildings or facilities containing or serving Type B units, an accessible route shall not be required between site arrival points and the building or facility entrance if the only means of access between them is a vehicular way not providing for pedestrian access.

A202.3.2.2 Within a Site. At least one accessible route shall connect accessible buildings, accessible facilities, accessible elements, and accessible spaces that are on the same site.

EXCEPTION: Other than in buildings or facilities containing or serving Type B units, an accessible route is not required between accessible buildings, accessible facilities, accessible elements and accessible spaces that have, as the only means of access between them, a vehicular way not providing for pedestrian access.

A202.3.2.3 Multilevel buildings and facilities. At least one accessible route shall connect each level, including mezzanines, in multilevel buildings and facilities.

EXCEPTIONS:

1. An accessible route is not required to stories and mezzanines that have an aggregate area of not more than 3,000 square feet (278.7 m²) and are located above or below accessible levels. This exception shall not apply to:
 - 1.1. Shopping centers and shopping malls containing five or more tenant spaces used for the sales or rental of goods and where at least one such tenant space is located on a floor level either above or below the accessible levels;
 - 1.2. Stories or mezzanines containing patient or customer service areas of health care providers;
 - 1.3. Passenger transportation facilities and airports; or
 - 1.4. Government buildings.
2. Where a two-story building or facility has one story with an occupant load of five or fewer persons that does not contain public use space, that story shall not be required to be connected by an accessible route to the story above or below.
3. Stories or mezzanines that are limited access spaces or machinery spaces are not required to be served by an accessible route from an accessible level.
4. In air traffic control towers, an accessible route shall not be required to serve the cab and the floor immediately below the cab.

A202.3.2.4 Dwelling and Sleeping Units. At least one accessible route shall connect accessible building or facility entrances with the primary entrance of each Accessible unit, Type A unit and Type B unit within the building or facility and with those exterior and interior spaces and facilities that serve the units.

EXCEPTIONS:

1. If due to circumstances outside the control of the owner, either the slope of the finished ground level between accessible facilities and buildings exceeds one unit vertical in 12 units horizontal (1:12), or where physical barriers or legal restrictions prevent the installation of an accessible route a vehicular route with parking that complies with Section A202.9 at each public or common use facility or building is permitted in place of the accessible route.
2. In transient residential units, an accessible route is not required to connect stories or mezzanines within individual units, provided the accessible level meets the provisions for Accessible units and sleeping accommodations for two persons minimum and a toilet facility are provided on that level.
3. In congregate residences, an accessible route is not required to connect stories or mezzanines where Accessible units or Type B units, all common use areas serving

Accessible units and Type B units and all public use areas serving Accessible units and Type B units are on an accessible route.

4. An accessible route between stories is not required where Type B units are exempted by Section A203.9.2.

A202.3.2.5 Security Barriers. Security barriers, including but not limited to, security bollards and security check points, shall not obstruct a required accessible route or accessible means of egress.

EXCEPTION: Where security barriers incorporate elements that cannot comply with these requirements such as certain metal detectors, fluoroscopes, or other similar devices, the accessible route shall be permitted to be located adjacent to security screening devices. The accessible route shall permit persons with disabilities passing around security barriers to maintain visual contact with their personal items to the same extent provided others passing through the security barrier.

A202.3.2.6 Spaces and Elements. At least one accessible route shall connect accessible building or facility entrances with all accessible spaces and elements within the building or facility which are otherwise connected by a circulation path unless exempted by Section A202.3.2.3. Accessible routes within recreational facilities required to comply with Section A203.8 shall provide accessible routes to the extent specified in Section A203.8 for each type of recreation facility addressed.

EXCEPTIONS:

1. Raised courtroom stations, including judges' benches, clerks' stations, bailiffs' stations, deputy clerks' stations, and court reporters' stations shall not be required to provide vertical access provided that the required clear floor space, maneuvering space, and, if appropriate, electrical service are installed at the time of initial construction to allow future installation of a means of vertical access complying with Sections 405, 407, 408, or 410 without requiring substantial reconstruction of the space
2. In assembly areas with fixed seating required to comply with Section A221, an accessible route shall not be required to serve fixed seating where wheelchair spaces required to be on an accessible route are not provided.

A202.3.2.7 Restaurants. In dining and drinking areas, all interior and exterior floor areas shall be accessible and be on an accessible route.

EXCEPTIONS:

1. An accessible route between accessible levels and stories above or below is not required where permitted by Section A202.3.2.3, Exception 1.
2. In buildings or facilities not required to provide an accessible route between stories, an accessible route to a mezzanine is not required, provided that the mezzanine contains less than 25 percent of the total area and the same services, decor and amenities are provided in the accessible area.
3. In sports facilities, tiered dining areas providing seating required to be accessible shall be required to have accessible routes serving at least 25 percent of the dining area, provided that accessible routes serve accessible seating and where each tier is provided with the same services.

4. Employee only work areas shall comply with Section A202.2.6 and A202.3.2.9.

A202.3.2.8 Performance areas. An accessible route shall directly connect the performance area to the assembly seating area where a circulation path directly connects a performance area to an assembly seating area. An accessible route shall be provided from performance areas to ancillary areas or facilities used by performers. In banquet rooms or spaces where a head table or speaker's lectern is located on a raised platform, an accessible route shall be provided to the platform.

A202.3.2.9 Employee Work Areas. Common use circulation paths within employee work areas shall comply with Section 402.

EXCEPTIONS:

1. Common use circulation paths, located within employee work areas that are less than 1,000 square feet (93 m²) in size and defined by permanently installed partitions, counters, casework or furnishings, shall not be required to be accessible routes.
2. Common use circulation paths, located within employee work areas, that are an integral component of equipment, shall not be required to be accessible routes.
3. Common use circulation paths located within exterior employee work areas that are fully exposed to the weather shall not be required to be accessible routes.

A202.3.2.10 Walkways adjoining construction and demolition sites. Walkways required to be provided for pedestrian travel around construction and demolition sites shall be accessible.

A202.3.3 Location of Accessible Route. Accessible routes shall coincide with or be located in the same area as a general circulation path. Where the circulation path is interior, the accessible route shall also be interior. Where only one accessible route is provided, the accessible route shall not pass through kitchens, storage rooms, restrooms, closets or similar spaces.

EXCEPTIONS:

1. Accessible routes from parking garages contained within and serving Type B units are not required to be interior.
2. A single accessible route is permitted to pass through a kitchen or storage room in an Accessible unit, Type A unit or Type B unit.

A202.4 Accessible Means of Egress

A202.4.1 General. Accessible means of egress shall comply with the International Building Code, incorporated by reference, see "Referenced Standards" in Chapter 1.

EXCEPTIONS:

1. Where means of egress are permitted by local building or life safety codes to share a common path of egress travel, accessible means of egress shall be permitted to share a common path of egress travel.
2. One accessible means of egress is required from an accessible mezzanine level.
3. Areas of refuge shall not be required in detention and correctional facilities.

A202.5 Stairways

A202.5.1 General. Interior and exterior stairs that are part of a means of egress shall comply with Section 504.

EXCEPTIONS:

1. In detention and correctional facilities, stairs that are not located in public use areas shall not be required to comply with Section 504.
2. In assembly areas, stepped aisles shall not be required to comply with Section 504.
3. Stairs that connect play components shall not be required to comply with Section 504.

A202.6 Operable parts

A202.6.1 General. Operable parts on accessible elements, accessible routes, and in accessible rooms and spaces shall comply with Section 309.

EXCEPTIONS:

1. Locks used only for security purposes and not used for normal operation are permitted at any height.
2. Access doors or gates in barrier walls and fences protecting pools, spas and hot tubs shall be permitted to have operable parts of the release of latch on self-latching devices at 54 inches (1370 mm) maximum above the finished floor or ground, provided the self-latching devices are not also self-locking devices operated by means of a key, electronic opener or integral combination lock.

A202.7 Entrances, Doors and Gates

A202.7.1 Entrances. Entrances shall comply with Section A202.7. Entrance doors, doorways, and gates shall comply with Section 404 and shall be on an accessible route complying with Section 402.

A202.7.1.1 Public entrances. In addition to accessible entrances required by Sections A202.7.1.2 through A202.7.1.8 at least 60 percent of all public entrances shall be accessible.

EXCEPTIONS:

1. An accessible entrance is not required to areas not required to be on an accessible route.
2. Loading and service entrances that are not the only entrance to a tenant space.

A202.7.1.2 Parking garage entrances. Where provided, direct access for pedestrians from parking structures to buildings or facility entrances shall be accessible.

A202.7.1.3 Entrances from tunnels or elevated walkways. Where direct access is provided for pedestrians from a pedestrian tunnel or elevated walkway to a building or facility, at least one entrance to the building or facility from each tunnel or walkway shall be accessible.

A202.7.1.4 Transportation Facilities. In addition to the requirements of Section A202.7.2 transportation facilities shall provide entrances in accordance with this section.

A202.7.1.4.1 Station entrances. Where different entrances to a station serve different transportation fixed routes or groups of fixed routes, at least one entrance serving each group or route shall comply with Section A202.7.2.

A202.7.1.4.2 Direct connections. Direct connections to commercial, retail, or residential facilities shall have an accessible route complying with Section A202.3 from the point of connection to boarding platforms and transportation system elements used by the public. Any elements provided to facilitate future direct connections shall be on an accessible route connecting boarding platforms and transportation system elements used by the public.

A202.7.1.5 Tenant spaces, dwelling units and sleeping units. At least one accessible entrance shall be provided to each tenant, dwelling unit and sleeping unit in a facility.

EXCEPTIONS:

1. An accessible entrance is not required to dwelling units and sleeping units that are not required to be Accessible units, Type A units or Type B units.
2. An accessible entrance is not required to self-service storage facilities that are not required to be accessible.

A202.7.1.6 Restricted Entrances. Where restricted entrances are provided to a building or facility, at least one restricted entrance to the building or facility, at least one restricted entrance to the building or facility shall comply with Section 404.

A202.7.1.7 Service entrances. If a service entrance is the only entrance to a building or a tenant space in a facility, that entrance shall be accessible.

A202.7.1.8 Entrances for Inmates or Detainees. Where entrances used only by inmates or detainees and security personnel are provided at judicial facilities, detention facilities, or correctional facilities, at least one such entrance shall comply with 404.

A202.7.2 Doors, Doorways and Gates

A202.7.2.1 General. Doors, doorways, and gates providing user passage shall comply with Section A202.7.2.

A202.7.2.2 Entrances. Each entrance to a building or facility required to comply with Section A202.7.1 shall have at least one door, doorway, or gate complying with Section 404.

A202.7.2.3 Rooms and Spaces. Within a building or facility, at least one door, doorway, or gate serving each room or space complying with these requirements shall comply with Section 404.

EXCEPTION: Shower and sauna doors in transient lodging guest rooms that are not required to provide mobility features complying with Section A203.9.8 shall not be required to comply with Section A202.7.2.3.

A202.7.2.4 Automatic doors. In facilities with the occupancies and building occupant loads indicated in Table A202.7.2.4, public entrances that are required to be accessible shall have one door be either a full power-operated door or a low-energy power-operated door. Where the public entrance includes a vestibule, at least one door into and one door out of the vestibule s

**TABLE A202.7.2.4
PUBLIC ENTRANCE WITH POWER-OPERATED DOOR ^a**

| OCCUPANCY | BUILDING OCCUPANT LOAD GREATER THAN |
|--------------------|--|
| A-1, A-2, A-3, A-4 | 300 |
| B, M, R-1 | 500 |

a. In mixed-use facilities, when the total sum of the building occupant load is greater than those listed, the most restrictive building occupant load shall apply.

A202.8 Elevators and Lifts

A202.8.1 Elevators. Elevators provided for passengers shall comply with Section 407. Where multiple elevators are provided, each elevator shall comply with Section 407.

EXCEPTIONS:

1. In a building or facility permitted to use the exceptions to Section A202.3.2.3 or permitted by Section A202.8.2 to use a platform lift, elevators complying with 408 shall be permitted.
2. Elevators complying with Section 408 or 409 shall be permitted in multi-story residential dwelling units.

A202.8.2 Platform Lifts. Platform lifts shall comply with Section 410. Platform lifts shall be permitted as a component of an accessible route in new construction in accordance with Section A202.8.2. Platform (wheelchair) lifts shall be installed in accordance with ASME A18.1.

A202.8.2.1 Performance Areas and Speakers' Platforms. Platform lifts shall be permitted to provide accessible routes to performance areas and speakers' platforms.

A202.8.2.2 Wheelchair Spaces. Platform lifts shall be permitted to provide an accessible route to comply with the wheelchair space dispersion and line-of-sight requirements of Sections A203.2.3 and 802.

A202.8.2.3 Incidental Spaces. Platform lifts shall be permitted to provide an accessible route to incidental spaces which are not public use spaces and which are occupied by five persons maximum.

A202.8.2.4 Judicial Spaces. Platform lifts shall be permitted to provide an accessible route to: jury boxes and witness stands; raised courtroom stations including, judges' benches, clerks' stations, bailiffs' stations, deputy clerks' stations, and court reporters' stations; and to depressed areas such as the well of a court.

A202.8.2.5 Guest Rooms and Residential Dwelling Units. Platform lifts shall be permitted to connect levels within transient lodging guest rooms required to provide mobility features complying with Section 806.2 or residential dwelling units required to provide mobility features complying with Section 809.2 through 809.4.

A202.8.2.6 Amusement Rides. Platform lifts shall be permitted to provide accessible routes to load and unload areas serving amusement rides.

A202.8.2.7 Play Areas. Platform lifts shall be permitted to provide accessible routes to play components or soft contained play structures.

A202.8.2.8 Team or Player Seating. Platform lifts shall be permitted to provide accessible routes to team or player seating areas serving areas of sport activity.

A202.8.2.9 Recreational Boating Facilities and Fishing Piers and Platforms. Platform lifts shall be permitted to be used instead of gangways that are part of accessible routes serving recreational boating facilities and fishing piers and platforms.

A202.8.2.10 Residential Units. Platform lifts shall be permitted as part of an accessible route within an individual dwelling unit or sleeping unit required to be an Accessible unit, Type A unit or Type B unit.

A202.8.3 Standby power. Standby power shall be provided for platform lifts which serve as a part of an accessible means of egress.

A202.9 Parking, Passenger Loading, Bus Boarding and Alighting, and EV Charging

A202.9.1 General. Where parking spaces, passenger loading zones, bus boarding and alighting areas, electric vehicle charging stations, and related elements are provided on sites, they shall comply with Section A202.9.

EXCEPTION: Parking spaces used exclusively for buses, trucks, other delivery vehicles, law enforcement vehicles, or vehicular impound and motor pools shall not be required to comply with Section A202.9 provided that lots accessed by the public are provided with a passenger loading zone complying with Section 503.

A202.9.2 Minimum Number. Parking spaces complying with Section 502 shall comply with Table A202.9.2 except as required by Sections A202.9.2 Where more than one parking facility is provided on a site, the total number of accessible spaces provided on the site shall be calculated according to the number of spaces required for each parking facility.

EXCEPTIONS:

1. At residential facilities required to have dwelling or sleeping units that comply with Sections 1102, 1103, or 1104, at least 2 percent of resident’s parking, but not less than one, of each type of parking space provided shall comply with Section 502. Where the total number of parking spaces provided for each residential dwelling unit exceeds one parking space per residential dwelling unit, 2 percent, but no fewer than one space, of all the parking spaces not covered by Section A202.9.1.2 shall comply with Section 502.
2. Where at least one parking space is provided for each dwelling unit or sleeping unit, at least one accessible parking space shall be provided for each residential dwelling unit required to provide mobility features complying with Sections 1102 and 1103, (Accessible and Type A units).
3. Parking spaces provided for dwelling units complying with Sections 1102, 1103 and 1104 shall not be required to be dispersed throughout all types of parking if substantially equivalent or greater accessibility is provided in terms of distance from an accessible entrance, parking fee, and user convenience.
4. Van accessible spaces located within a parking facility or portions of parking facility serving only Type B dwelling units shall be permitted to have vehicular routes, entrances, parking spaces and access aisles with a minimum vertical clearance of 84 inches (2134 mm).

TABLE A202.9.2 Parking Spaces

| Total Number of Parking Spaces Provided in Parking Facility | Minimum Number of Required Accessible Parking Spaces |
|--|---|
| 1 to 25 | 1 |
| 26 to 50 | 2 |
| 51 to 75 | 3 |
| 76 to 100 | 4 |
| 101 to 150 | 5 |

| | |
|---------------|--|
| 151 to 200 | 6 |
| 201 to 300 | 7 |
| 301 to 400 | 8 |
| 401 to 500 | 9 |
| 501 to 1000 | 2 percent of total |
| 1001 and over | 20, plus 1 for each 100, or fraction thereof, over 1000 |

A202.9.2.1 Parking at medical care facilities. Parking at medical care, day care and long term care comply with Section A202.9 and this section.

A202.9.2.1.2 Hospital Outpatient Facilities. Not less than ten percent of patient and visitor parking spaces provided to serve hospital outpatient facilities shall comply with Section 502.

A202.9.2.1.3 Rehabilitation Facilities and Outpatient Physical Therapy Facilities. Not less than twenty percent of patient and visitor parking spaces provided to serve rehabilitation facilities specializing in treating conditions that affect mobility and outpatient physical therapy facilities shall comply with 502.

A202.9.3 Van Parking Spaces. For every six or fraction of six parking spaces required by Section A202.9.2 to comply with Section 502, at least one shall be a van parking space complying with Section 502.

A202.9.4 Location. Parking facilities shall comply with A202.9.4.

A202.9.4.1 General Parking spaces complying with Section 502 that serve a particular building or facility shall be located on the shortest accessible route from parking to an entrance complying with Section A202.7 In parking facilities that do not serve a particular building or facility, parking spaces complying with Section 502 shall be located on the shortest accessible route to an accessible pedestrian entrance of the parking facility. Where parking serves more than one accessible entrance, parking spaces complying with Section 502 shall be dispersed and located on the shortest accessible route to the accessible entrances. Where parking is provided within or beneath a building, accessible parking spaces shall also be provided within or beneath the building.

EXCEPTIONS:

1. All van parking spaces shall be permitted to be grouped on one level within a multi-story parking facility.

2. Parking spaces shall be permitted to be located in different parking facilities if substantially equivalent or greater accessibility is provided in terms of protection from the weather, security, distance from an accessible entrance or entrances, parking fee, and user convenience.

A202.9.5 Parking meters and pay stations. Where parking meters and pay stations serve accessible parking spaces, such parking meters and pay stations shall comply with Section 502.10.

A202.9.6 Electrical vehicle charging stations. Electrical vehicle charging stations shall comply with Sections A202.9.6.

EXCEPTION: At residential facilities other than transient lodging, electrical vehicle charging stations provided to serve individually assigned or owned parking spaces are not required to comply with this section.

A202.9.6.1 Number of accessible vehicle spaces. At least five percent of vehicle spaces on the site served by electrical vehicle charging systems but, not fewer than one for each type of electric vehicle charging system shall comply with Section 502.11.

A202.9.7 Passenger Loading Zones and Bus Boarding and Alighting Areas

A202.9.7.1 General. Passenger loading zones and on-street bus stops shall comply with Section A202.9.7.

A202.9.7.2 Passenger Loading Zones Not Restricted to Buses and Vans. Where passenger loading zones are not restricted to buses and vans, at least one vehicle pull-up space and access aisle in every continuous 100 linear feet (30 m) of loading zone space, or fraction thereof, shall comply with Section 503.

A202.9.7.3 Bus Boarding and Alighting Areas Restricted to Buses and Vans. Where bus boarding and alighting areas are restricted to use by buses and vans, each bus bay, bus stop, or other area designated for passenger loading and disembarkation shall comply with Section 805.2.

EXCEPTION: Bus boarding and alighting areas located in a public right-of-way shall comply with Section 810.2 to the maximum extent practicable.

A202.9.8 Valet Parking. Where valet parking facilities are provided on a site, at least one passenger loading zone complying with Section 503 shall be provided.

A202.9.9 Mechanical Access Parking Garages. Mechanical access parking garages other than self-park facilities shall provide at least one passenger loading zone complying with Section 503 at vehicle drop-off and vehicle pick-up areas.

A202.10 Toilet and Bathing

A202.10.1 General. Where toilet facilities and bathing facilities are provided, they shall comply with Section 603. Where toilet facilities and bathing facilities are provided in facilities permitted by Section A202.3.2.3 not to connect stories by an accessible route, toilet facilities and bathing facilities shall be provided on a story connected by an accessible route to an accessible entrance.

A202.10.2 Toilet Rooms and Bathing Rooms. Where toilet rooms are provided, each toilet room shall comply with Section 603. Where bathing rooms are provided, each bathing room shall comply with Section 603.

EXCEPTIONS:

1. Toilet rooms or bathing rooms accessed only through a private office, not for common or public use and intended for use by a single occupant, shall be permitted to comply with the specific exceptions in Sections 603.2.2, 604.4, 604.5, 606.2, 606.3, 607.4, 608.2.1.3, 608.2.2.3, 608.2.3.2 and 608.3.
2. Where multiple single user portable toilet or bathing units are clustered at a single location, at least 5 percent of the toilet units and bathing units at each cluster shall comply with Section 603. Portable toilet units and bathing units complying with Section 603 shall be identified by the International Symbol of Accessibility complying with Section 703.7.2.1.
3. Where two or more single-user toilet rooms are clustered at a single location and are not specified for specific genders, at least 50 percent but not less than one room for each use at each cluster shall be accessible.
4. Where three or more bathing rooms are clustered at a single location and are not specified for specific genders, at least 50 percent but not less than one room for each use at each cluster shall be accessible.
5. Where toilet facilities are primarily for children's use, required accessible water closets, toilet compartments and lavatories shall be permitted to comply with children's provisions in Section 604 and Section 606.

A202.10.3 Plumbing Fixtures and Accessories. Plumbing fixtures and accessories provided in a toilet room or bathing room required to comply with Section A202.10.2 shall comply with Section A202.10.4.

A202.10.4 Number. At least one of each type of fixture, element, control or dispenser in each accessible toilet room and bathing room shall be accessible.

A202.10.4.1 Water Closets. Where water closets are provided, at least one shall comply with **Section 604**.

A202.10.4.2 Urinals. Where more than one urinal is provided, at least one shall comply with **Section 605**.

A202.10.4.3 Lavatories. Where lavatories are provided, at least 5 percent, but not less than one, shall comply with Section 606.

A202.10.4.3.1 Where a lavatory complying with Section 606 is located within the accessible water closet compartment at least one additional lavatory complying with Section 606 shall be provided in the multi-compartment toilet room outside the water closet compartment.

A202.10.4.3.2 Where the total lavatories provided in a toilet room or bathing facility is six or more, at least one lavatory with enhanced reach ranges shall be provided.

A202.10.4.4 Mirrors. Where mirrors are provided, at least one shall comply with Section 603.3.

A202.10.4.5 Coat Hooks and Shelves. Where coat hooks or shelves are provided in toilet rooms without water closet compartments, at least one of each type shall comply with Section 603.4. Where coat hooks or shelves are provided in water closet compartments, at least one of each type complying with Section 604.8.3 shall be provided in water closet compartments required to comply with Section A202.10.5. Where coat hooks or shelves are provided in bathing facilities, at least one of each type complying with Section 603.4 shall serve fixtures required to comply with Section A202.10.6.

A202.10.5 Water closet compartment. Where water closet compartments are provided in a toilet room or bathing room, at least 5 percent of the total number of compartments shall comply with Section 604.8.1. Where the combined total water closet compartments and urinals provided in a toilet room or bathing room is six or more, at least 5 percent of the total number of compartments shall be ambulatory accessible, provided in addition to the wheelchair accessible compartment.

A202.10.5.1 Lavatory in Water closet compartment. Where a lavatory is located within either an accessible water closet or an ambulatory accessible water closet, it shall comply with Section 606.

A202.10.6 Bathing Facilities. Where bathtubs or showers are provided, at least one bathtub complying with Section 607 or at least one shower complying with Section 608 shall be provided.

A202.10.7 Family or assisted-use toilet and bathing rooms. In assembly and mercantile occupancies, an accessible family or assisted-use toilet room shall be provided where an aggregate of six or more male and female water closets is required. In buildings of mixed occupancy, only those water closets required for the assembly or mercantile occupancy shall be used to determine the family or assisted-use toilet room requirement. In recreational facilities where separate-sex bathing rooms are provided, an accessible family or assisted-use bathing room shall be provided. Fixtures located within family or assisted-use toilet and bathing rooms shall be included in determining the number of fixtures provided in an occupancy.

A202.10.7.1 Standard. Family or assisted-use toilet and bathing rooms shall comply with Sections 603 through 610.

A202.10.7.1.1 Family or assisted-use toilet rooms. Family or assisted-use toilet rooms shall include only one water closet and only one lavatory. A family or assisted-use bathing room in compliance with Section A202.10.7 shall be considered a family or assisted-use toilet room.

The following additional fixtures shall be permitted in a family or assisted-use toilet room:

1. A urinal.
2. A child-height water closet.
3. A child-height lavatory.

A202.10.7.1.2 Family or assisted-use bathing rooms. Family or assisted-use bathing rooms shall include only one shower or bathtub fixture. Family or assisted-use bathing rooms shall also include one water closet and one lavatory. Where storage facilities are provided for separate-sex bathing rooms, accessible storage facilities shall be provided for family or assisted-use bathing rooms.

The following additional fixtures shall be permitted in a family or assisted-use bathing room:

1. A urinal.
2. A child-height water closet.
3. A child-height lavatory.

A202.10.7.1.3 Location. Family or assisted-use toilet and bathing rooms shall be located on an accessible route. Family or assisted-use toilet rooms shall be located not more than one story above or below separate-sex toilet rooms. The accessible route from any separate-sex toilet room to a family or assisted-use toilet room shall not exceed 500 feet (152 m).

A202.11 Saunas and Steam Rooms

A202.11.1 General. Saunas and steam rooms shall comply with Section 612.

EXCEPTION: Where saunas or steam rooms are clustered at a single location, no more than 5 percent of the saunas and steam rooms, but no fewer than one, of each type in each cluster shall be required to comply with Section 612.

A202.12 Dressing, Fitting and Locker Rooms

A202.12.1 General. Where dressing rooms, fitting rooms, or locker rooms are provided, at least 5 percent, but no fewer than one, of each type of use in each cluster provided shall comply with Section 803.

A202.12.2 Coat Hooks and Shelves. Where coat hooks or shelves are provided in dressing, fitting or locker rooms without individual compartments, at least one of each type shall comply with Section 803.5. Where coat hooks or shelves are provided in individual compartments at least one of each type complying with Section 803.5 shall be provided in individual compartments in dressing, fitting, or locker rooms required to comply with Section A202.12.1.

A202.13 Drinking Fountains and Bottle Filling Stations

A202.13.1 General. Where drinking fountains are provided on an exterior site, on a floor, or within a secured area they shall comply with Section A202.13.

EXCEPTION: In detention or correctional facilities, drinking fountains only serving holding or housing cells not required to comply with Section A203.5 shall not be required to comply with Section A202.13.

A202.13.2 Minimum Number. No fewer than two drinking fountains shall be provided. One drinking fountain shall comply with Section 602.2 and one drinking fountain shall comply with Section 602.3.

EXCEPTION: Where a single drinking fountain complies with Sections 602.2 and Section 602.3, it shall be permitted to be substituted for two separate drinking fountains.

A202.13.2.1 More Than Minimum Number. Where more than the minimum number of drinking fountains specified in Section A202.13.2 are provided, 50 percent of the total number of drinking fountains provided shall comply with Section 602.2, and 50 percent of the total number of drinking fountains provided shall comply with Section 602.3.

EXCEPTION: Where 50 percent of the drinking fountains yields a fraction, 50 percent shall be permitted to be rounded up or down provided that the total number of drinking fountains complying with Section A202.13.2 equals 100 percent of drinking fountains.

A202.13.3 Bottle filling stations. Where bottle filling stations are provided, at least one in each location shall be on an accessible route and shall comply with Section 602.4.

A202.14 Kitchens, Kitchenettes, and Sinks

A202.14.1 General. Where provided, kitchens, kitchenettes, and sinks shall comply with Section A202.14.

A202.14.2 Kitchens and Kitchenettes. Kitchens and kitchenettes shall comply with Section 804 and Section A202.14.3.

A202.14.3 Sinks. Where sinks are provided, at least 5 percent, but no fewer than one, of each type provided in each accessible room or space shall comply with Section 606.

EXCEPTIONS:

1. Sinks in employee work areas shall not be required to comply with Section A202.14.3.
2. Where a sink, in order to perform its intended purpose, must be deeper than 6 inches or have a specialized drain which cannot be located outside of the knee space, the forward approach shall be permitted to be located adjacent to the sink where faucet controls comply with Section 309.

A202.14.4 Washing Machines and Clothes Dryers

A202.14.4.1 General. Where provided, washing machines and clothes dryers shall comply with Section 611.

EXCEPTION: For Type B units, washing machines and clothes dryers shall be permitted to comply with Section 1104.

A202.14.4.2 Washing Machines. Where three or fewer washing machines are provided, at least one shall comply with Section 611. Where more than three washing machines are provided, at least two shall comply with Section 611.

A202.14.4.3 Clothes Dryers. Where three or fewer clothes dryers are provided, at least one shall comply with Section 611. Where more than three clothes dryers are provided, at least two shall comply with Section 611.

A202.15 Service Facilities and Equipment

A202.15.1 Automatic Teller Machines and Fare Machines

A202.15.1.1 Automatic teller machines and fare machines. Where automatic teller machines or self-service fare vending, collection or adjustment machines are provided, at least one machine of each type at each location where such machines are provided shall comply with Section 707. Where bins are provided for envelopes, wastepaper or other purposes, at least one of each type shall be accessible.

A202.15.2 Sales and Service

A202.15.2.1 General. Where provided, check-out aisles, sales counters, service counters, food service lines, queues, and waiting lines shall comply with Sections 227 and 904.

A202.15.2.2 Check-Out Aisles. Where check-out aisles are provided, check-out aisles complying with 904.3 shall comply with Table A202.15.2.2. Where check-out aisles serve different functions, check-out aisles complying with Section 904.3 shall comply with Table A202.14.2.2 A202.15.2.2 for each function. Where check-out aisles are dispersed throughout the building or facility, check-out aisles complying with Section 904.3 shall be dispersed.

EXCEPTION: Where the selling space is under 5000 square feet (465 m²) no more than one check-out aisle complying with Section 904.3 shall be required.

A202.15.2.2 Check-Out Aisles

| Number of Check-Out Aisles of Each Function | Minimum Number of Check-Out Aisles of Each Function Required to Comply with 904.3 |
|--|--|
| 1 to 4 | 1 |

| | |
|-------------|---|
| 5 to 8 | 2 |
| 9 to 15 | 3 |
| 16 and over | 3, plus 20 percent of additional aisles |

A202.15.3 Sales and service counters and windows. Where counters or windows are provided for sale or distribution of goods or services, at least one of each type of counter and window provided shall be accessible. Where such counters or windows are dispersed throughout the building or facility, accessible counters or windows shall also be dispersed.

A202.15.4 Food Service Lines. Food service lines shall comply with Section 904.5. Where self-service shelves are provided, at least 50 percent, but no fewer than one, of each type provided shall comply with Section 308.

A202.15.5 Queues and Waiting Lines. Queues and waiting lines servicing counters or check-out aisles required to comply with Section 904.3 or Section 904.4 shall comply with Section 403.

A202.15.6 Fuel-dispensing systems. Where provided, fuel-dispensing systems shall comply with Section 309.

A202.15.7 Depositories, vending machines, change machines and similar equipment. At least one of each type of depository, vending machine, change machine and similar equipment shall comply with Section 309.

EXCEPTION: Drive-up-only depositories are not required to comply with this section.

A202.15.8 Gaming machines and gaming tables. Two percent, but not less than one, of each type of gaming table provided shall be accessible and provided with a front approach. Two percent of gaming machines provided shall be accessible and provided with a front approach. Accessible gaming machines shall be distributed throughout the different types of gaming machines provided.

A202.15.9 Mailboxes. Where provided, mailboxes shall comply with Section 309.

EXCEPTIONS:

1. In residential and institutional facilities where Type B units are required by Section A203.9.1, mailbox locks assigned to Type B units shall be no higher than 54 inches (metric #) above the floor where side reach is unobstructed and the bottom shelf of the lowest box shall be no lower than 15 inches (metric #) above the floor. Where side reach is obstructed by an object greater than 20 inches in depth, the mailbox locks assigned to Type B units shall be no higher than 46 inches (metric #) above the floor.
2. Mailboxes serving Type C units and units not covered by any accessibility requirement are not required to be accessible.

A202.16 Signs

A202.16.1 General. Signs shall comply with Section A202.16 and shall comply with Section 703.

EXCEPTIONS:

1. Building directories, menus, seat and row designations in assembly areas, occupant names, building addresses, and company names and logos shall not be required to comply with Section A202.16.
2. In parking facilities, traffic control signs and signs at parking spaces shall not be required to comply with Sections A202.16.2, A202.16.3, and A202.16.6 through A202.16.14.
3. Temporary, 7 days or less, signs shall not be required to comply with Section A202.16.
4. In detention and correctional facilities, signs not located in public use areas shall not be required to comply with Section A202.16.

A202.16.2 Designations. Interior and exterior signs identifying permanent rooms and spaces shall be visual characters, raised characters and braille complying with Sections 703.1, 703.2, 703.3, and 703.4. Where pictograms are provided as designations of interior rooms and spaces, the pictograms shall comply with Section 703.5 and have text descriptors complying with Section 703.4.

EXCEPTION: Exterior signs that are not located at the door to the space they serve shall not be required to comply with Section 703.3.

A202.16.3 International Symbol of Accessibility. Signs at the following permanent rooms, spaces, and elements shall include the International Symbol of Accessibility complying with Section 703.1.3.

1. Family or assisted-use toilet rooms and bathing rooms complying with Section 603.
2. Dressing, fitting and locker rooms complying with Section 803.
3. In recreational facilities, lockers complying with Section 905.

A202.16.4 Directional and Informational Signs. Signs that provide direction to or information about interior spaces and facilities of the site shall comply with Section 703.5.

A202.16.5 Means of Egress. Signs for means of egress shall comply with Section A202.16.5.

A202.16.5.1 Exit Doors. Doors at exit passageways, exit discharge, exit stairways, areas of refuge, and exterior areas for assisted rescue shall be identified by tactile signs complying with Sections 703.1, 703.2, and 703.5. Signs at these locations shall be read "EXIT", "AREA OF REFUGE", or "EXTERIOR AREA FOR ASSISTED RESCUE".

A202.16.5.2 Areas of assisted rescue and areas of refuge. At areas of refuge and exterior areas for assisted rescue, instructions on the use of the area under emergency

conditions shall be posted. Signage shall comply with the Section 703.5 requirements for visual characters. The instructions shall include all of the following:

1. Persons able to use the exit stairway do so as soon as possible, unless they are assisting others.
2. Information on planned availability of assistance in the use of stairs or supervised operation of elevators and how to summon such assistance.
3. Directions for use of the two-way communications system where provided.

A202.16.5.3 Two-way communication systems. At two-way communication systems, directions for the use of the two-way communication system, instructions for summoning assistance via the two-way communication system and written identification of the location shall be posted adjacent to the two-way communication system. Signage shall comply with the Section 705.3 requirements for visual characters.

A202.16.5.4 Stairway and ramp identification signs. A sign shall be provided at each floor landing in an interior exit stairway and ramp connecting more than three stories designating the floor level, the terminus of the top and bottom of the interior exit stairway and ramp and the identification of the stair or ramp. The signage shall also state the story of, and the direction to, the exit discharge and the availability of roof access from the interior exit stairway and ramp for the fire department. The sign shall be located 5 feet (1524 mm) above the floor landing in a position that is readily visible when the doors are in the open and closed positions. In addition to the stairway identification sign, a floor level sign in visual characters, raised characters and braille complying with Sections 703.1, 703.2, and 703.3, and 703.4 shall be located at each floor level landing adjacent to the door leading from the interior exit stairway and ramp into the corridor to identify the floor level.

A202.16.5.5 Directional Signs. Directional signage indicating the location of the other means of egress and which are accessible means of egress shall be provided at the following:

1. At exits and exit stairways serving a required accessible space but not providing an approved accessible means of egress.
2. At elevator landings.
3. Within areas of refuge.

These directional signs shall include the International Symbol of Accessibility and sign characters shall meet the visual character requirements in Section 703.2.

A202.16.6 Parking. Parking spaces complying with Section 502 shall be identified by signs complying with Section 502.7.

EXCEPTIONS:

1. Where a total of four or fewer parking spaces, including accessible parking spaces, are provided on a site, identification of accessible parking spaces shall not be required.
2. In residential facilities, where parking spaces are assigned to specific residential dwelling units, identification of accessible parking spaces shall not be required.

A202.16.7 Passenger Loading Zones. Passenger loading zones complying with Section 503 shall be identified by signs complying with Section 703.6.3.1.

A202.16.8 Entrances. Where not all entrances comply with Section 404, entrances complying with 404 shall be identified by the International Symbol of Accessibility complying with Section 703.6.3.1. Directional signs complying with Section 703.1.2 that indicate the location of the nearest entrance complying with Section 404 shall be provided at entrances that do not comply with Section 404. These directional signs shall include the International Symbol of Accessibility and sign characters shall meet the visual character requirements in Section 703.2.

A202.16.9 Elevators. Where existing elevators do not comply with Section 407, elevators complying with Section 407 shall be clearly identified with the International Symbol of Accessibility complying with Section 703.6.3.1. Directional signs complying with Section 703.1.2 that indicate the location of the nearest elevator complying with Section 407 shall be provided at elevators that do not comply with Section 407. These directional signs shall include the International Symbol of Accessibility and sign characters shall meet the visual character requirements in Section 703.2.

A202.16.10 Drinking Fountains. Where drinking fountains for persons using wheelchairs complying with Section 602.2 and drinking fountains for persons who are standing complying with Section 602.3 are not located adjacent to each other, directional signs complying with Section 703.1.2 that indicate the location of nearest drinking fountain complying with Section 602. These directional signs shall include the International Symbol of Accessibility and sign characters shall meet the visual character requirements in Section 703.2.

A202.16.11 Toilet Rooms and Bathing Rooms. Where existing toilet rooms or bathing rooms do not comply with Section 603, directional signs indicating the location of the nearest toilet room or bathing room complying with Section 603 within the facility shall be provided. Signs shall comply with Section 703.2 and shall include the International Symbol of Accessibility complying with Section 703.6.3.1. Where existing toilet rooms or bathing rooms do not comply with Section 603, the toilet rooms or bathing rooms complying with Section 603 shall be identified by the International Symbol of Accessibility complying with Section 703.6.3.1.

A202.16.12 Clustered toilet rooms or bathing facilities. Where clustered single user toilet rooms or bathing facilities are permitted to use exceptions to Section A202.10.2, toilet rooms or bathing facilities complying with Section 603 shall be identified by the International Symbol of Accessibility complying with Section 703.6.3.1 unless all toilet rooms and bathing facilities comply with Section 603.

A202.16.13 TTYs. Identification and directional signs for public TTYs shall comply with Section A202.16.10.

A202.16.13.1 Identification Signs. Public TTYs shall be identified by the International Symbol of TTY complying with Section 703.7.2.2.

A202.16.13.2 Directional Signs. Directional signs indicating the location of the nearest public TTY shall be provided at all banks of public pay telephones not containing a public TTY. In addition, where signs provide direction to public pay telephones, they shall also provide direction to public TTYs. Directional signs shall comply with Section 703.5 and shall include the International Symbol of TTY complying with Section 703.7.2.2.

A202.16.14 Assistive Listening Systems. Each assembly area required by Section A203.2.7 to provide assistive listening systems shall provide signs informing patrons of the availability of the assistive listening system. Assistive listening signs shall comply with Section 703.5 and shall include the International Symbol of Access for Hearing Loss complying with Section 703.7.2.4.

EXCEPTION: Where ticket offices or windows are provided, signs shall not be required at each assembly area provided that signs are displayed at each ticket office or window informing patrons of the availability of assistive listening systems.

A202.16.15 Dressing, fitting and locker rooms. Signs for dressing, fitting and locker rooms shall comply with Section A202.16.15.

A202.16.15.1 Accessible dressing, fitting and locker rooms. Where not all dressing, fitting and locker rooms comply with the requirements of Section 803, dressing, fitting and locker rooms complying with Section 803 shall be identified by the International Symbol of Accessibility.

A202.16.15.2 Directional Sign. Where dressing, fitting and locker rooms do not comply with Section 803, directional signs indicating the location of the nearest dressing, fitting or locker room complying with Section 803 within the facility shall be provided. Signs shall comply with Section 703.2 and shall include the International Symbol of Accessibility complying with Section 703.6.3.1.

A202.16.16 Check-Out Aisles. Where more than one check-out aisle is provided, check-out aisles complying with Section 904.3 shall be identified by the International Symbol of Accessibility complying with Section 703.7.2.1. Where check-out aisles are identified by numbers, letters, or functions, signs identifying check-out aisles complying with Section 904.3 shall be located in the same location as the check-out aisle identification.

EXCEPTION: Where all check-out aisles serving a single function comply with Section 904.3, signs complying with Section 703.7.2.1 shall not be required.

A202.16.17 Amusement Rides. Signs identifying the type of access provided on amusement rides shall be provided at entries to queues and waiting lines. In addition, where

accessible unload areas also serve as accessible load areas, signs indicating the location of the accessible load and unload areas shall be provided at entries to queues and waiting lines.

A202.16.18 Variable Message Signs. Where provided in Section A202.16.18.1 and Section A202.16.18.2, Variable Message Signs (VMS) shall comply with the VMS requirements of Section 703.7.

A202.16.18.1 Emergency shelters. Where provided in buildings that are designated as emergency shelters, variable message signs (VMS) conveying emergency related information shall comply with Section 703.7.

A202.16.18.2 Transportation facilities. Where provided in buildings that are designated as transportation facilities, variable message signs (VMS) conveying emergency related information shall comply with Section 703.7.

EXCEPTION: Where equivalent information is provided in an audible manner, VMS signs are not required to comply with Section 703.7.

A202.16.19 Lockers in recreational facilities. Where multiple lockers are provided in recreational facilities, lockers complying with Section 905 shall be identified by the International Symbol of Accessibility complying with Section 703.7.2.1.

A202.16.20 Transportation facilities. Signage in transportation shall comply with Section A202.16.18.1 through A203.16.18.3.

A202.16.21 Bus routes. New bus route identification signs at bus stops and terminals shall have finish and contrast complying with Section 703.2.10. Additionally, to the maximum extent practicable, new bus route identification signs shall provide visual characters complying with Section 703.2.

EXCEPTION: Bus schedules, timetables and maps that are posted at the bus stop or bus bay are not required to meet this requirement.

A202.16.22 Signs. Signage in fixed transportation facilities and stations shall comply with Sections A202.16.23 through A202.16.26.

A202.16.23 Raised character and braille signs. Where signs are provided at entrances to stations identifying the station or the entrance, or both, at least one sign at each entrance shall be raised characters and braille. A minimum of one raised character and braille sign identifying the specific station shall be provided on each platform or boarding area. Such signs shall be placed in uniform locations at entrances and on platforms or boarding areas within the transit system to the maximum extent practicable.

EXCEPTIONS:

1. Where the station does not have a defined entrance but signs are provided, the raised characters and braille signs shall be placed in a central location.
2. Signs are not required to be raised characters and braille where audible signs are remotely transmitted to hand-held receivers, or are user or proximity actuated.

A202.16.24 Identification signs. Stations covered by this section shall have identification signs containing visual characters complying with Section 703.2. Signs shall be clearly visible and within the sightlines of a standing or sitting passenger from within the train on both sides when not obstructed by another train.

A202.16.25 Informational signs. Lists of stations, routes and destinations served by the station that are located on boarding areas, platforms or mezzanines shall provide visual characters complying with Section 703.2. Signs covered by this provision shall, to the maximum extent practicable, be placed in uniform locations within the transit system.

A202.16.26 Airport terminal information systems. At airports, where terminal information systems convey audible information to the public, the same or equivalent information shall be provided in a visual format.

A202.17 Fire Alarms, Communication Facilities, and Equipment

A202.17.1 Telephones

A202.17.1.1 General. Where coin-operated public pay telephones, coinless public pay telephones, public closed-circuit telephones, public courtesy phones, or other types of public telephones are provided, public telephones shall comply with Section A202.17.1 for each type of public telephone provided. For purposes of this section, a bank of telephones shall be considered to be two or more adjacent telephones.

A202.17.1.2 Wheelchair Accessible Telephones. Where public telephones are provided, wheelchair accessible telephones complying with Section 704.2 shall comply with Table A202.17.1.2.

EXCEPTION: Drive-up only public telephones shall not be required to comply with Section 202.17.1.2

A202.17.1.2 Wheelchair Accessible Telephones

| Number of Telephones Provided on a Floor, Level, or Exterior Site | Minimum Number of Required Wheelchair Accessible Telephones |
|---|---|
| 1 or more single units | 1 per floor, level, and exterior site |
| 1 bank | 1 per floor, level, and exterior site |
| 2 or more banks | 1 per bank |

A202.17.1.3 Volume Controls. All public telephones shall have volume controls complying with Section 704.3.

A202.17.1.4 TTYs. TTYs complying with Section 704.4 shall comply with Section A202.17.1.4.

A202.17.1.4.1 Bank Requirement. Where four or more public pay telephones are provided at a bank of telephones, at least one public TTY complying with Section 704.4 shall be provided at that bank.

EXCEPTION: TTYs shall not be required at banks of telephones located within 200 feet (61 m) of, and on the same floor as, a bank containing a public TTY.

A202.17.1.4.2 Floor Requirement. TTYs in public buildings shall comply with Section A202.17.1.4.2.1. TTYs in private buildings shall comply with Section A202.17.1.4.2.2.

A202.17.1.4.2.1 Public Buildings. Where at least one public pay telephone is provided on a floor of a public building, at least one public TTY shall be provided on that floor

A202.17.1.4.2.2 Private Buildings. Where four or more public pay telephones are provided on a floor of a private building, at least one public TTY shall be provided on that floor.

A202.17.1.4.3 Building Requirement. TTYs in public buildings shall comply with Section A202.17.1.4.3.1. TTYs in private buildings shall comply with Section A202.17.1.4.3.2.

A202.17.1.4.3.1 Public Buildings. Where at least one public pay telephone is provided in a public building, at least one public TTY shall be provided in the building. Where at least one public pay telephone is provided in a public use area of a public building, at least one public TTY shall be provided in the public building in a public use area.

A202.17.1.4.3.2 Private Buildings. Where four or more public pay telephones are provided in a private building, at least one public TTY shall be provided in the building.

A202.17.1.4.4 Exterior Site Requirement. Where four or more public pay telephones are provided on an exterior site, at least one public TTY shall be provided on the site.

A202.17.1.4.5 Rest Stops, Emergency Roadside Stops, and Service Plazas. Where at least one public pay telephone is provided at a public rest stop, emergency roadside stop, or service plaza, at least one public TTY shall be provided.

A202.17.1.4.6 Hospitals. Where at least one public pay telephone is provided serving a hospital emergency room, hospital recovery room, or hospital waiting room, at least one public TTY shall be provided at each location.

A202.17.1.4.7 Transportation Facilities. In transportation facilities, in addition to the requirements of Sections A202.17.1.1. through A202.17.1.3, where at least one public pay telephone serves a particular entrance to a bus or rail facility, at least one public TTY shall be provided to serve that entrance. In airports, in addition to the requirements of Sections A202.17.1.1. through A202.17.1.3., where four or more public pay telephones are located in a terminal outside the security areas, a concourse within the security areas, or a baggage claim area in a terminal, at least one public TTY shall be provided in each location.

A202.17.1.4.8 Detention and Correctional Facilities. In detention and correctional facilities, where at least one pay telephone is provided in a secured area used only by detainees or inmates and security personnel, at least one TTY shall be provided in at least one secured area.

A202.17.1.5 Shelves for Portable TTYs. Where a bank of telephones in the interior of a building consists of three or more public pay telephones, at least one public pay telephone at the bank shall be provided with a shelf and an electrical outlet in accordance with Section 704.5.

EXCEPTIONS:

1. Secured areas of detention and correctional facilities where shelves and outlets are prohibited for purposes of security or safety shall not be required to comply with Section A202.17.1.5.
2. The shelf and electrical outlet shall not be required at a bank of telephones with a TTY.

A202.17.1.6 Signs relative to TTY's. Signage regarding TTY's shall comply with Section 703.

A202.17.2 Two-Way Communication Systems

A202.17.2.1 General. Where a two-way communication system is provided to gain admittance to a building or facility or to restricted areas within a building or facility, the system shall comply with Section 708.

A202.17.3 Visual Relay Service Booths

A202.17.3.1 General. Where a visual relay service booth is provided, the booth shall comply with Section 704.7.

A202.17.4 Stage Lighting for Sign Language Interpreters

A202.17.4.1 General. Sign language interpreter stations shall comply with Section 802.11.

A202.17.5 Fire Alarm Systems

A202.17.5.1 General. Where fire alarm systems provide audible alarm coverage, alarms shall comply with Section 702.

EXCEPTIONS:

1. Visible alarm notification appliances shall not be required in exits as defined in Section A202.4.
2. Visual alarm notification appliances are not required in occupancies where private mode signaling is installed in accordance with NFPA 72.

A202.17.5.2 Public and Common Use Areas. Alarms in public use areas and common use areas shall comply with Section 702.

A202.17.5.3 Employee work areas. Where employee work areas have audible alarm coverage, the notification appliance circuits serving the employee work areas shall be initially designed with not less than 20-percent spare capacity to account for the potential of adding visible notification appliances in the future to accommodate hearing-impaired employees.

A202.17.5.4 Alarms in Residential Facilities. Alarms in residential facilities shall comply with Sections A202.17.5.4.1 and A202.17.5.4.2.

A202.17.5.4.1 Transient Lodging. Guest rooms required to comply with 224.4 shall provide alarms complying with Section 702.

A202.17.5.4.2 Residential Facilities. Where provided in residential dwelling units required to comply with Section 809.5, alarms shall comply with Section 702.

A202.18 Charging Stations

A202.18.1 Charging stations. Where provided at wheelchair space locations they shall comply with Section 906.

SECTION A203

Specific Occupancy/Use Requirements and Exceptions.

A203.1 General. Newly constructed buildings and facilities shall be accessible to the extent specified in this section and Section A202. Alterations and additions to existing buildings and facilities and changes of occupancy with such buildings and facilities shall be in accordance with Section A204.

A203.2 Assembly Areas and Facilities

A203.2.1 Assembly Areas and Facilities. Assembly areas and facilities shall provide wheelchair spaces, companion seats, and designated aisle seats complying with Sections A203.2 and 802. In addition, lawn seating shall comply with Section A203.2.6. Assistive listening systems shall comply with Section A203.2.7. Performance areas viewed from assembly seating areas shall comply with Section A202.3.2.8. Dining areas shall comply with Section A203.3.

A203.2.2 Wheelchair Spaces. Wheelchair spaces complying with A203.2.2 shall be provided in assembly areas with fixed seating.

A203.2.2.1 General Seating. Wheelchair spaces complying with 802.1 shall comply with Table A203.2.2.1.

**TABLE A203.2.2.1
ACCESSIBLE WHEELCHAIR SPACES**

| CAPACITY OF SEATING IN ASSEMBLY AREAS | MINIMUM REQUIRED NUMBER OF WHEELCHAIR SPACES |
|--|---|
| 4 to 25 | 1 |
| 26 to 50 | 2 |
| 51 to 100 | 4 |
| 101 to 300 | 5 |
| 301 to 500 | 6 |
| 501 to 5,000 | 6, plus 1 for each 150, or fraction thereof, between 501 through 5,000 |
| 5,001 and over | 36 plus 1 for each 200, or fraction thereof, over 5,000 |

A203.2.2.2 Luxury boxes, club boxes and suites. In each luxury box, club box, and suite within arenas, stadiums and grandstands, wheelchair spaces shall comply with Table A203.2.2.1.

A203.2.2.3 Other boxes. In boxes other than those required to comply with Section A203.2.2.2, the total number of wheelchair spaces provided shall be determined in accordance with Table A203.2.2.1. Wheelchair spaces shall be located in not less than 20 percent of all boxes provided.

A203.2.2.4 Team or player seating. At least one wheelchair space shall be provided in team or player seating areas serving areas of sport activity.

EXCEPTION: Wheelchair spaces shall not be required in team or player seating areas serving bowling lanes that are not required to be located on an accessible route in accordance with Section A203.8.2.1.

A203.2.3 Dispersion. Dispersion of wheelchair spaces in assembly seating areas shall comply with Section A203.2.3. Wheelchair spaces shall provide spectators with choices of seating locations and viewing angles that are substantially equivalent to, or better than, the choices of seating locations and viewing angles available to all other spectators. In providing lines of sight, wheelchair spaces shall be dispersed.

EXCEPTION: Wheelchair spaces in team or player seating serving areas of sport activity are not required to be dispersed.

A203.2.3.1 Horizontal Dispersion. Wheelchair spaces shall be dispersed horizontally in compliance with Section 802.10.1.

A203.2.3.2 Vertical Dispersion. In multilevel assembly seating areas, wheelchair spaces complying with Section 802 shall be provided on the main floor level and on one of each two additional floor or mezzanine levels. Wheelchair spaces shall be provided in each luxury box, club box and suite within assembly facilities.

EXCEPTIONS:

1. In multilevel assembly seating areas utilized for worship services where the second floor or mezzanine level contains 25 percent or less of the total seating capacity, wheelchair spaces shall be permitted to all be located on the main level.
2. In multilevel assembly seating areas where the second floor or mezzanine level provides 25 percent or less of the total seating capacity and 300 or fewer seats, all wheelchair spaces shall be permitted to be located on the main level.

A203.2.3.3 Distance Dispersion. Wheelchair spaces shall be dispersed at varying distances from the screen, performance area, or playing field in accordance with Section 802.10.2 and 802.10.4.

A203.2.3.4 Charging stations. Where provided at wheelchair space locations they shall comply with Section 906.

A203.2.4 Companion Seats. At least one companion seat complying with Section 802.7 shall be provided for each wheelchair space required by Sections A203.2.2.1 through A203.2.2.4.

A203.2.5 Designated aisle seats. At least 5 percent, but not less than one, of the total number of aisle seats provided shall be designated aisle seats complying with Section 802.8 and shall be the aisle seats located closest to accessible routes.

EXCEPTION: Designated aisle seats are not required in team or player seating serving areas of sport activity.

A203.2.6 Lawn Seating. Lawn seating areas and exterior overflow seating areas, where fixed seats are not provided, shall connect to an accessible route.

A203.2.7 Assistive Listening Systems. Assistive listening systems shall comply with Section A203.2.7 and shall comply with Section 706.

A203.2.7.1 Required Systems. In courtrooms assisted listening systems shall be provided. In all other assembly areas where audible communication is integral to the use of the space and audio amplification is provided, an assistive listening system shall be provided.

A203.2.7.2 Receivers. Receivers complying with 706.2 shall be provided for assistive listening systems in each assembly area in accordance with Table A203.2.7.2. Twenty-five percent minimum of receivers provided, but no fewer than two, shall be hearing-aid compatible in accordance with Section 706.3.

EXCEPTION: Where a building contains more than one assembly area and the assembly areas required to provide assistive listening systems are under one management, the total number of required receivers shall be permitted to be calculated according to the total number of seats in the assembly areas in the building provided that all receivers are usable with all systems.

A203.2.7.3. Where all seats in an assembly area are served by an induction loop assistive listening system, the minimum number of receivers required by Table A203.2.7.2. to be hearing-aid compatible shall not be required to be provided.

A203.2.7.2 Receivers for Assistive Listening Systems

| Capacity of Seating in Assembly Area | Minimum Number of Required Receivers | Minimum Number of Required Receivers Required to be Hearing-aid Compatible |
|---|--|---|
| 50 or less | 2 | 2 |
| 51 to 200 | 2, plus 1 per 25 seats over 50 seats ¹ | 2 |
| 201 to 500 | 2, plus 1 per 25 seats over 50 seats ¹ | 1 per 4 receivers ¹ |
| 501 to 1000 | 20, plus 1 per 33 seats over 500 seats ¹ | 1 per 4 receivers ¹ |
| 1001 to 2000 | 35, plus 1 per 50 seats over 1000 seats ¹ | 1 per 4 receivers ¹ |
| 2001 and over | 55 plus 1 per 100 seats over 2000 seats ¹ | 1 per 4 receivers ¹ |

¹ 1 or fraction thereof

A203.2.7.4 Ticket Windows. Where ticket windows are provided in stadiums and arenas at least one window at each location shall have an assistive listening system.

A203.2.7.5 Public address systems. Where stadiums, arenas and grandstands have 15,000 fixed seats or more and provide audible public announcements, they shall also provide pre-recorded or real-time captions of those audible public announcements.

A203.2.8 Areas in places of religious worship. Raised or lowered areas, or portions of areas, in places of religious worship that are less than 300 square feet (30 m²) in area and located 7 inches (178 mm) or more above or below the finished floor and used primarily for the performance of religious ceremonies are not required to comply with this standard

A203.2.9 Press Boxes. Press boxes in assembly areas shall be on an accessible route.

EXCEPTIONS:

1. An accessible route shall not be required to press boxes in bleachers that have points of entry at only one level provided that the aggregate area of all press boxes is 500 square feet (46 m²) maximum.
2. An accessible route shall not be required to free-standing press boxes that are elevated above grade 12 feet (3660 mm) minimum provided that the aggregate area of all press boxes is 500 square feet (46 m²) maximum.

A203.2.10 Transportation facilities. Transportation facilities shall comply with Section A203.2.10.

A203.2.10.1 New and Altered Fixed Guideway Stations. New and altered stations in rapid rail, light rail, commuter rail, intercity rail, high speed rail, and other fixed guideway systems shall comply with Sections 805.5 through 810.10.

A203.2.10.2 Key Stations and Existing Intercity Rail Stations. Key stations and existing intercity rail stations shall comply with Section 810.5 through 810.10.

A203.2.10.3 Bus Shelters. Where provided, bus shelters shall comply with Section 810.3.

A203.2.10.4 Other Transportation Facilities. In other transportation facilities, public address systems shall comply with Section 810.7 and clocks shall comply with Section 810.8.

A203.2.10.5 Toilet rooms. In passenger transportation facilities and airports, the accessible route from separate-sex toilet rooms to a family or assisted-use toilet room shall not pass through security checkpoints.

A203.3 Dining Surfaces and Work Surfaces

A203.3.1 Dining surfaces. Where dining surfaces for the consumption of food or drink are provided, they shall comply with Sections A203.3.1 and 902.

A203.3.1.1 Seating at tables, counters, bars and other food and drink surfaces.

Where seating spaces or standing spaces at dining surfaces, tables, drink rails, bars, or counters are provided in accessible spaces, at least 5 percent of the seating spaces and standing spaces, but not less than one, shall comply with Section 902.

A203.3.1.2 Dispersion. Dining surfaces, tables, drink rails, bars, and counters complying with Section 902 shall be distributed throughout the space or facility containing such elements.

A203.3.2 Work surfaces. Where work surfaces are provided, they shall comply with Sections A203.3.2 and 902.

A203.3.2.1 Seating at work surfaces. Where seating spaces or standing spaces at work surfaces is provided in accessible spaces, at least 5 percent of the seating and standing spaces, but not less than one, shall comply with Section 902.

A203.3.2.2 Dispersion. Work surfaces complying with Section 902 shall be distributed throughout the space or facility containing such elements.

A203.4 Judicial Facilities

A203.4.1 Judicial facilities. Judicial facilities shall comply with Section A203.4.

A203.4.2 Courtrooms. Each courtroom shall be accessible and comply with Sections A203.4.2 and 807.

A203.4.2.1 Areas accessed by ramps or platform lifts. Where provided, areas that are raised or depressed and accessed by ramps or platform lifts with entry ramps shall provide unobstructed turning space complying with Section 304.

A203.4.2.2 Gallery seating. Wheelchair spaces complying with Section 807.5 shall be provided in accordance with Table A203.2.2.1. Designated aisle seats shall be provided in accordance with Section A203.2.5.

A203.4.2.3 Assistive listening systems. Assistive listening systems shall comply with Section A203.2.7.

A203.4.3 Central and Court Holding Cells. Where separate central holding cells are provided for adult males, juvenile males, adult females, juvenile females, or by charge type, one of each type of separated cells shall comply with Section 806.2. Where central holding cells are provided and are not separated by age or sex or detention type, at least one cell complying with Section 806.2 shall be provided.

A203.4.4 Court-Floor Holding Cells. Where separate court-floor holding cells are provided for adult males, juvenile males, adult females, juvenile females, or detention type,

courtrooms shall be served by one accessible cell of each type. Where court-floor holding cells are provided and are not separated by age or sex or detention type, courtrooms shall be served by at least one accessible cell.

A203.4.5 Visiting Areas. Visiting areas shall comply with Section A203.4.5.1 and A203.4.5.2.

A203.4.5.1 Cubicles and Counters. At least 5 percent, but no fewer than one, of cubicles shall comply with Section 902 on both the visitor and detainee sides. Where counters are provided, at least one shall comply with Section 904.3.3 on both the visitor and detainee sides.

EXCEPTION: The detainee side of cubicles or counters at non-contact visiting areas not serving holding cells required to comply with Section 806.2 shall not be required to comply with Section 902 or Section 904.3.3.

A203.4.5.2 Partitions. Where solid partitions or security glazing separate visitors from detainees at least one of each type of cubicle or counter partition shall comply with Section 904.6.

A203.5 Detention Facilities and Correctional Facilities

A203.5.1 Detention Facilities and Correctional Facilities. Buildings, facilities, or portions thereof, in which people are detained pending court actions, for penal or correctional purposes, or in which the liberty of the inmates is restricted for security reasons shall comply with Section A203.5.

A203.5.2 General Holding Cells and General Housing Cells and Units. Where provided, general holding cells and general housing cells and units shall be provided in accordance with Section A203.5.2.

A203.5.3 Dispersion. Disperse cells and housing units with mobility features and communication features among the different levels of security, housing categories, and holding classifications.

A203.5.4 Cells with Mobility Features. At least 3 percent, but no fewer than one, of the total number of cells in a facility shall provide mobility features complying with Section 1102.

A203.5.5 Cells with Communication Features. At least 2 percent, but no fewer than one, of the total number of general holding cells and general housing cells and units equipped with audible emergency alarm systems and permanently installed telephones within the cell shall provide communication features complying with Section 1106.

A203.5.6 Sleeping areas with more than 25 beds. In cells having more than 25 beds, at least 5% but not less than one of the beds shall have clear floor space complying with Section 305.

A203.5.7 Special Holding Cells and Special Housing Cells. Where special holding cells or special housing cells are provided, at least one cell serving each purpose shall provide mobility features complying with Section 1102. Cells subject to this requirement may include, but are not limited to, those used for purposes of orientation, crisis observation, protective custody, administrative or disciplinary detention, detoxification, and medical isolation.

A203.5.8 Medical Care Facilities. Patient bedrooms or cells required to comply with Section A203.7 shall be provided in addition to any medical isolation cells required to comply with Section A203.5.7.

A203.5.9 Visiting Areas. Visiting areas shall comply with Section A203.5.9.

A203.5.9.1 Cubicles and Counters at Visiting Areas. At least 5 percent, but no fewer than one, of cubicles shall comply with Section 902 on both the visitor and detainee sides. Where counters are provided, at least one shall comply with Section 904.3.3 on both the visitor and detainee or inmate sides.

EXCEPTION: The inmate or detainee side of cubicles or counters at non-contact visiting areas not serving holding cells or housing cells required to comply with Section A203.5 shall not be required to comply with Section 902 or Section 904.3.3.

A203.5.9.2 Partitions. Where solid partitions or security glazing separate visitors from detainees or inmates at least one of each type of cubicle or counter partition shall comply with Section 904.6.

A203.6 Classroom Acoustics

A203.6.1 General. Enhanced classroom acoustics, where required in this section, shall comply with Section 808.

A203.6.2 Enhanced classroom acoustics. In educational facilities up through twelfth grade classrooms, enhanced classroom acoustics shall be provided in all classrooms with a volume of 20,000 cubic feet or less.

EXCEPTIONS:

1. This requirement does not apply to spaces not used for student education.
2. This requirement does not apply to spaces which are generally considered assembly such as gymnasiums, cafeterias, theaters, or choir or band practice rooms.

A203.7 Medical and Care Facilities

A203.7.1 General. In addition to complying with the provisions of Section A202, medical care, long term care and day care facilities shall comply with Section A203.7.

A203.7.2 Day care facilities. Day care facilities shall be accessible. Where a day care facility is part of a dwelling unit, the portion of the structure utilized for the day care facility is required to be accessible.

A203.7.3 Medical care and long term care. In licensed medical care facilities and licensed long-term care facilities where the period of stay exceeds twenty-four hours, patient or resident sleeping rooms shall comply with Section A203.7.3.

A203.7.3.1 Passenger loading zone. At least one passenger loading zone complying with A202.9.7. shall be provided at an accessible entrance to licensed medical care and licensed long-term care facilities where the period of stay exceeds twenty-four hours.

A203.7.3.2 Hospitals, Rehabilitation Facilities, Psychiatric Facilities and Detoxification Facilities. Hospitals, rehabilitation facilities, psychiatric facilities and detoxification facilities shall comply with Section A203.7.3.2

A203.7.3.2.1 Facilities Not Specializing in Treating Conditions That Affect Mobility. In facilities not specializing in treating conditions that affect mobility, at least 10 percent, but no fewer than one, of the patient sleeping rooms shall provide mobility features complying with Section 1102. Rooms with mobility features complying with Section 1102 shall be dispersed in a manner that is proportionate by type of medical specialty.

EXCEPTIONS:

1. Toilet rooms or bathing rooms that are part of critical care or intensive care patient sleeping rooms are not required to comply with Section 603.
2. Toilet rooms or bathing rooms designed for bariatrics patients are not required to comply with the toilet room and bathing room requirement in Section 603. The sleeping units served by bariatrics toilet or bathing rooms shall not count toward the required number of Accessible sleeping units.

A203.7.3.2.2 Type B units. In structures with four or more dwelling units or sleeping units intended to be occupied as a residence, every dwelling unit and sleeping unit intended to be occupied as a residence shall comply with Section 1104.

EXCEPTION: The number of Type B units is permitted to be reduced in accordance with Section A203.9.2.

A203.7.3.3 Facilities Specializing in Treating Conditions That Affect Mobility. In facilities specializing in treating conditions that affect mobility, 100 percent of the patient sleeping rooms shall provide mobility features complying with 1102.

A203.7.3.4 Long term care facilities. Accessible units that comply with Section 1102 and Type B units that comply with Section 1104 shall be provided in long term care facilities in accordance with Sections A203.7.3.4.1 and A203.7.3.4.2.

A203.7.3.4.1 Accessible units. At least 50 percent but not less than one of each type of the dwelling units and sleeping units shall be Accessible units.

A203.7.3.4.2 Type B units. In structures with four or more dwelling units or sleeping units intended to be occupied as a residence, every dwelling unit and sleeping unit intended to be occupied as a residence shall be a Type B unit.

EXCEPTION: The number of Type B units is permitted to be reduced in accordance with Section A203.9.2.

A203.8 Recreational facilities

A203.8.1 Recreational facilities. Recreational facilities shall be accessible and shall be on an accessible route to the extent specified in Sections A203.8.2 through A203.8.3.

A203.8.2 Area of sport activity. Each area of sport activity shall be on an accessible route. Areas of sport activity shall not be required to be accessible except as provided in Sections A203.8.3.

A203.8.2.1 Bowling Lanes. Where bowling lanes are provided, at least 5 percent, but not less than one of each type of bowling lane, shall be on an accessible route.

A203.8.2.2 Court Sports. In court sports, at least one accessible route shall directly connect both sides of the court.

A203.8.3 Amusement Rides

A203.8.3.1 Amusement Rides. Amusement rides that move persons through a fixed course within a defined area shall comply with Section A203.8.3.

EXCEPTION: Amusement rides set up for a period not exceeding 21 days shall not be required to comply with Section A203.8.3.

A203.8.3.2 Load and Unload Areas. Load and unload areas serving amusement rides shall comply with Section 1002.3.

A203.8.3.3 Amusement Rides - Wheelchair Spaces, Ride Seats Designed for Transfer, and Transfer Devices. When amusement rides are in the load and unload position, wheelchair spaces complying with Section 1002.4, amusement ride seats designed for transfer complying with Section 1002.5, and transfer devices complying with Section 1002.5 shall be on an accessible route.

A203.8.3.4 Minimum Number. Amusement rides shall provide at least one wheelchair space complying with Section 1002.4, or at least one amusement ride seat designed for transfer complying with Section 1002.5, or at least one transfer device complying with Section 1002.5.

EXCEPTIONS:

1. Amusement rides that are controlled or operated by the rider shall not be required to comply with Section A203.8.3.4.
2. Amusement rides designed primarily for children, where children are assisted on and off the ride by an adult, shall not be required to comply with Section A203.8.3.4.
3. Amusement rides that do not provide amusement ride seats shall not be required to comply with Section A203.8.3.4.

A203.8.4 Recreational Boating Facilities

A203.8.4.1 General. Recreational boating facilities shall comply with Section A203.8.4 and Section 1003.

EXCEPTION: Cleats and other boat securement devices shall not be required to comply with Section 309.

A203.8.4.2 Boat slips. Accessible boat slips shall be provided in accordance with Table A203.8.4.2. Where the number of boat slips is not identified, each 40 feet (12 m) of boat slip edge provided along the perimeter of the pier shall be counted as one boat slip for the purpose of this section.

EXCEPTION: Boat slips not designed for embarking or disembarking are not required to be accessible or be on an accessible route.

Table A203.8.4.2 Boat Slips

| Total Number of Boat Slips Provided in Facility | Minimum Number of Required Accessible Boat Slips |
|--|--|
| 1 to 25 | 1 |
| 26 to 50 | 2 |
| 51 to 100 | 3 |
| 101 to 150 | 4 |
| 151 to 300 | 5 |
| 301 to 400 | 6 |
| 401 to 500 | 7 |
| 501 to 600 | 8 |
| 601 to 700 | 9 |
| 701 to 800 | 10 |
| 801 to 900 | 11 |
| 901 to 1000 | 12 |
| 1001 and over | 12, plus 1 for every 100, or fraction thereof, over 1000 |

| | |
|--|--|
| | |
|--|--|

A203.8.4.2.1 Dispersion. Accessible boat slips shall be dispersed throughout the various types of boat slips provided. Where the minimum number of accessible boat slips has been met, no further dispersion shall be required.

A203.8.4.2.2 Boarding piers at boat launch ramps. Where boarding piers are provided at boat launch ramps, at least 5 percent, but not less than one, of the boarding piers shall be accessible.

A203.8.5 Exercise Machines and Equipment

A203.8.5.1 General. At least one of each type of exercise machine and equipment shall comply with Section 1004.

EXCEPTION: Exercise machines and exercise equipment shall not be required to comply with Section 309.

A203.8.6 Fishing Piers and Platforms

A203.8.6.1 General. Fishing piers and platforms shall comply with Section 1005 and shall be on an accessible route.

EXCEPTIONS:

1. Accessible routes serving floating fishing piers and platforms shall be permitted to use Exceptions 1, 2, 5, 6, 7 and 8 in Section 1003.2.1.
2. Where the total length of the gangway or series of gangways serving as part of a required accessible route is 30 feet (9145 mm) minimum, gangways shall not be required to comply with Section 405.2.

A203.8.7 Golf Facilities

A203.8.7.1 General. Golf facilities and golf courses shall comply with Sections 203.8.7 and 1006.

A203.8.7.2 Golf Facilities. At least one accessible route shall connect accessible elements and spaces within the boundary of the golf course. In addition, accessible routes serving golf car rental areas; bag drop areas; course weather shelters complying with Section 1006.2.4; course toilet rooms; and practice putting greens, practice teeing grounds, and teeing stations at driving ranges complying with Section 1006.2 shall comply with Chapter 4 except as modified by Section 1006.2. Exterior routes shall be 48 inches (1220 mm) minimum in width. Where guards, barriers or rails are provided, accessible routes shall be 60 inches (1525 mm) minimum in clear width.

EXCEPTION: Golf car passages complying with Section 1006.3 shall be permitted to be shared with all or part of accessible routes required by Section 1006.2.

A203.8.7.3 Golf Courses. Golf courses shall comply with Sections A203.8.7.2.1 through A203.8.7.2.4.

A203.8.7.3.1 Teeing Grounds. Where one teeing ground is provided for a hole, it shall comply with Section 1006.2.1. Where two teeing grounds are provided for a hole, the forward teeing ground shall comply with Section 1006.2.1. Where three or more teeing grounds are provided for a hole, at least two teeing grounds, including the forward teeing ground, shall comply with Section 1006.2.1.

A203.8.7.3.2 Putting Greens. Putting greens shall comply with Section 1006.2.2.

A203.8.7.3.3 Practice Putting Greens, Practice Teeing Grounds, and Teeing Stations at Driving Ranges. At least 5 percent, but no fewer than one, of practice putting greens, practice teeing grounds, and teeing stations at driving ranges shall comply with Section 1006.2.3.

A203.8.7.3.4 Weather Shelters. Where provided, weather shelters shall comply with Section 1006.2.4.

A203.8.8 Miniature Golf Facilities

A203.8.8.1 General. Miniature golf facilities shall comply with Section 1007 and Section A203.8.8.

A203.8.8.2 Minimum Number. At least 50 percent of holes on miniature golf courses shall comply with Section 1007.3.

A203.8.8.3 Miniature Golf Course Configuration. Miniature golf courses shall be configured so that the holes complying with Section 1007.3 are consecutive. Miniature golf courses shall provide an accessible route from the last hole complying with Section 1007.3 to the course entrance or exit without requiring travel through any other holes on the course.

EXCEPTION: One break in the sequence of consecutive holes shall be permitted provided that the last hole on the miniature golf course is the last hole in the sequence.

A203.8.8.4 Miniature Golf Facilities. Holes required to comply with Section A203.8.8, including the start of play, shall be on an accessible route complying with Section 1007.2. Accessible routes serving miniature golf facilities shall comply with Chapter 4.

EXCEPTIONS:

1. Playing surfaces shall not be required to comply with Section 302.2.
2. Where accessible routes intersect playing surfaces of holes, a curb that is 1 inch (25 mm) maximum in height and 32 inches (815 mm) minimum in width shall be permitted.
3. A slope of 1:4 maximum shall be permitted for a rise of 4 inches (100 mm) maximum.

4. Ramp landing slopes specified by Section 405.7.1 shall be permitted to be 1:20 maximum.
5. Ramp landing length specified by Section 405.7.3 shall be permitted to be 48 inches (1220 mm) minimum.
6. Ramp landing size at a change in direction specified by Section 405.7.4 shall be permitted to be 48 inches (1220 mm) minimum by 60 inches (1525 mm) minimum.
7. Handrails shall not be required along ramps located on the playing surface.

A203.8.9 Play Areas

A203.8.9.1 Play Areas. Play areas shall comply with Section 1008 and Section A203.8.9.

EXCEPTIONS:

1. Play areas located in family child care facilities where the proprietor actually resides shall not be required to comply with Section A203.8.9.
2. Amusement attractions shall not be required to comply with Section A203.8.9.

A203.8.9.2 Accessible routes. Accessible routes serving play areas shall comply with Chapter 4 and Section A203.8.9.

EXCEPTIONS:

1. Where 20 or more elevated play components are provided, transfer systems complying with Section 1008.4.2 shall be permitted to be used as part of an accessible route for a maximum of 25 percent of the play components.
2. Where fewer than 20 elevated play components are provided, transfer systems complying with Section 1008.4.2 shall be permitted to be used as part of an accessible route.
3. Where transfer systems are provided, an elevated play component shall be permitted to connect to another elevated play component as part of an accessible route.
4. Accessible routes serving soft contained play structures shall be permitted to use transfer systems complying with Section 1008.4.2 as part of an accessible route.
5. Where the surface of the accessible route, clear floor spaces, or turning spaces serving water play components is submerged, complying with Sections 302, 403.3, 405.2, 405.3 and 1008.4.1.6 shall not be required.
6. Accessible routes serving water play components shall be permitted to use transfer systems complying with Section 1008.4.2 to connect elevated play components in water.

A203.8.9.3 Minimum Number and Types. Where ground level play components are provided, at least one of each type shall be on an accessible route and shall comply with 1008.4.

A203.8.9.4 Additional Number and Types. Where elevated play components are provided, ground level play components shall be provided in accordance with Table A203.8.9.4 and shall comply with 1008.4.

EXCEPTION: If at least 50 percent of the elevated play components are connected by a ramp and at least 3 of the elevated play components connected by the ramp are different types of play components, the play area shall not be required to comply with 240.2.1.2.

**TABLE A203.8.9.4
NUMBER AND TYPES OF GROUND LEVEL PLAY COMPONENTS REQUIRED TO
BE ON ACCESSIBLE ROUTES**

| Number of Elevated Play Components Provided | Minimum Number of Ground Level Play Components Required to be on an Accessible Route | Minimum Number of Different Types of Ground Level Play Components Required to be on an Accessible Route |
|--|---|--|
| 1 | Not applicable | Not applicable |
| 2 to 4 | 1 | 1 |
| 5 to 7 | 2 | 2 |
| 8 to 10 | 3 | 3 |
| 11 to 13 | 4 | 3 |
| 14 to 16 | 5 | 3 |
| 17 to 19 | 6 | 3 |
| 20 to 22 | 7 | 4 |
| 23 to 25 | 8 | 4 |
| 26 and over | 8, plus 1 for each additional 3, or fraction thereof, over 25 | 5 |

A203.8.9.3 Ground Level and Elevated Play Components. At least one accessible route shall be provided within the play area. The accessible route shall connect ground level play components required to comply with Section 1008.3.2.1 and elevated play components required to comply with Section 1008.3.2.2, including entry and exit points of the play components.

A203.8.9.4 Soft Contained Play Structures. Where three or fewer entry points are provided for soft contained play structures, at least one entry point shall be on an accessible route. Where four or more entry points are provided for soft contained play structures, at least two entry points shall be on an accessible route.

A203.8.10 Swimming Pools, Wading Pools, Hot tubs and Spas

A203.8.10.1 Swimming pools, wading pools, hot tubs and spas. Swimming pools, wading pools, hot tubs and spas shall comply with Section 1009 and A202.6.1.

A203.8.11 Shooting Facilities with Firing Positions

A203.8.11.1 Shooting facilities with firing positions. Where shooting facilities with firing positions are designed and constructed at a site, at least 5 percent, but not less than one, of each type of firing position shall comply with Section 1010 and A203.8.11.

EXCEPTION: Shooting facilities with firing positions on free-standing platforms that are elevated above grade 12 feet (3660 mm) minimum provided that the aggregate area of elevated firing positions is 500 square feet (46 m²) maximum are not required to be accessible.

A203.9 Residential Facilities

A203.9.1 Residential facilities. Residential facilities shall comply with Section A203.9 and Chapter 11. Provide Accessible units that comply with Section 1102 as required by Sections A203.7.3.4, A203.9.1.3, A203.9.1.4, A203.9.3 through A203.9.5, A203.7, A203.9.8.1, A203.9.8.4, and A203.9.12. Provide Type A units that comply with Section 1103 as required by Sections A203.9.1.1, A203.9.9.3, and A203.9.9.2. Provide Type B units that comply with Section 1104 as required by Sections A203.7.3.2.2, A203.7.3.4, A203.9.1.3, A203.9.1.4, A203.9.3.1, A203.9.4, A203.9.5, A203.9.7 through A203.9.9 and A203.9.12. Provide units with communication features that comply with Section 1106 as required by Sections A203.5.5, A203.9.1.3, A203.9.1.4.2, and A203.9.8.2.

EXCEPTIONS:

1. Detached one- and two- family dwellings, their accessory structures and their associated sites and facilities are not required to comply with this standard.
2. Dwelling units where care is provided for family members only and where such care is not part of a business (public accommodation) or a state or local program.
3. The number of units complying with Sections 1103 (Type A) and 1104 (Type B) is permitted to be reduced in accordance with Section A203.9.6.6.

A203.9.1.1 Dispersion. Residential facilities required to provide mobility features complying with Sections 1102 (Accessible) and 1103 (Type A) and residential dwelling units required to provide communication features complying with Section 1106, shall disperse units, sleeping rooms and beds with mobility or communication features among the various classes, sizes, amenity programs, detention levels and other types provided at the facility.

EXCEPTION: Where multi-story residential dwelling units are one of the types of residential dwelling units provided, one-story residential dwelling units shall be permitted as a substitute for multi-story residential dwelling units where equivalent spaces and amenities are provided in the one-story residential dwelling unit.

A203.9.1.2 Guest rooms and sleeping areas with multiple beds. In guest rooms having more than 25 beds at least 5% of the beds shall have clear floor space complying with Section 304.3.1.

A203.9.1.3 Residential Dwelling Units Provided by Entities Subject to HUD Section 504 Regulations. Where facilities with residential dwelling units are provided by entities subject to regulations issued by the Department of Housing and Urban Development

(HUD) under Section 504 of the Rehabilitation Act of 1973, as amended, such entities shall provide residential dwelling units with mobility features complying with Section 1102 and communication features complying with Section 1106 in a number required by the applicable HUD regulations.

A203.9.1.4 Residential Dwelling Units Provided by Entities Subject to ADA Regulations. Facilities with residential dwelling units provided by entities subject to ADA regulations, but not subject to regulations issued by the Department of Housing and Urban Development (HUD) under Section 504 of the Rehabilitation Act of 1973, as amended, shall comply with Section A203.9.1.4. Where facilities contain 15 or fewer residential dwelling units, the requirements of Section A203.9.1.4 shall apply to the total number of residential dwelling units that are constructed under a single contract, or are developed as a whole, whether or not located on a common site.

A203.9.1.4.1 Residential Dwelling Units with Mobility Features. In facilities with residential dwelling units, at least 5 percent, but no fewer than one unit, of the total number of residential dwelling units shall provide mobility features complying with Section 1102 (Accessible) and shall be on an accessible route.

A203.9.1.4.2 Residential Dwelling Units with Communication Features. In facilities with residential dwelling units, at least 2 percent, but no fewer than one unit, of the total number of residential dwelling units shall provide communication features complying with Section 1106.

A203.9.2 General exceptions to required numbers of Type A and Type B units. Where specifically permitted by Section A203.7.3 or A203.9, the required number of Type A units is permitted to be reduced in accordance with Section A203.9.2.5 and the required number of Type B units is permitted to be reduced in accordance with Sections A203.9.2.1 through A203.9.2.5.

A203.9.2.1 Structures without elevator service. Where no elevator service is provided in a structure, only the dwelling units and sleeping units that are located on stories indicated in Sections A203.9.2.1.1 and A203.9.2.1.2 are required to be Type A units and Type B units, respectively. The number of Type A units shall be determined in accordance with Section A203.9.1.

A203.9.2.1.1 One story with Type B units required. At least one story containing dwelling units or sleeping units intended to be occupied as a residence shall be provided with an accessible entrance from the exterior of the structure and all units intended to be occupied as a residence served by that entrance shall be Type B units.

A203.9.2.1.2 Additional stories with Type B units. Where stories have a building entrance in proximity to arrival points as indicated in Items 1 and 2 intended to serve units on that story, all dwelling units and sleeping units intended to be occupied as a residence served by that entrance on that story shall be Type B units.

1. Where the slopes of the undisturbed site measured between the planned entrance and all vehicular or pedestrian arrival points within 50 feet (15 240 mm) of the planned entrance are 10 percent or less, and
2. Where the slopes of the planned finished grade measured between the entrance and all vehicular or pedestrian arrival points within 50 feet (15 240 mm) of the planned entrance are 10 percent or less.

Where no such arrival points are within 50 feet (15 240 mm) of the entrance, the closest arrival point shall be used unless that arrival point serves the story required by Section A203.9.1.

A203.9.2.2 Multistory units. A multistory dwelling unit or sleeping unit that is not provided with elevator service is not required to be a Type B unit. Where a multistory unit is provided with external elevator service to only one floor, the floor provided with elevator service shall be the primary entry to the unit, shall comply with the requirements for a Type B unit and, where provided within the unit, a living area, a kitchen and a toilet facility shall be provided on that floor.

A203.9.2.3 Elevator service to the lowest story with units. Where elevator service in the building provides an accessible route only to the lowest story containing dwelling units or sleeping units intended to be occupied as a residence, only the units on that story that are intended to be occupied as a residence are required to be Type B units.

A203.9.2.4 Site impracticality. On a site with multiple non-elevator buildings, the number of units required by Section A203.9.1 to be Type B units is permitted to be reduced to a percentage that is equal to the percentage of the entire site having grades, prior to development, that are less than 10 percent, provided that all of the following conditions are met:

1. Not less than 20 percent of the units required by Section A203.9.1 on the site are Type B units;
2. Units required by Section A203.9.1, where the slope between the building entrance serving the units on that story and a pedestrian or vehicular arrival point is no greater than 8.33 percent, are Type B units;
3. Units required by Section A203.9.1, where an elevated walkway is planned between a building entrance serving the units on that story and a pedestrian or vehicular arrival point and the slope between them is 10 percent or less, are Type B units; and
4. Units served by an elevator in accordance with Section A203.9.1 are Type B units.

A203.9.2.5 Design flood elevation. The required number of Type A units and Type B units shall not apply for non-elevator buildings where the required elevation of the lowest floor or the lowest horizontal structural building members are at or above the design flood elevation resulting in all of the following:

1. A difference in elevation between the minimum required floor elevation at the primary entrances and vehicular and pedestrian arrival points within 50 feet (15 240 mm) exceeding 30 inches (762 mm), and
2. A slope exceeding 10 percent between the minimum required floor elevation at the primary entrances and vehicular and pedestrian arrival points within 50 feet (15 240 mm).

Where no such arrival points are within 50 feet (15 240 mm) of the primary entrances, the closest arrival points shall be used.

A203.9.3 Residential facilities providing custodial care in a supervised environment.

Dwelling or sleeping units in buildings, structures or portions thereof for persons who reside on a 24-hour basis in a supervised environment and receive custodial care shall comply with Sections A203.9.3.1 or A203.9.3.2. Examples of these facilities include, but are not limited to, alcohol and drug centers, assisted living facilities, congregate care facilities, group homes, halfway houses, residential board and care facilities and social rehabilitation facilities.

A203.9.3.1 Facilities for more than 16 residents. Dwelling or sleeping units in buildings, structures or portions thereof for more than 16 persons, excluding staff, who reside on a 24-hour basis in a supervised environment and receive custodial care shall comply with Sections A203.9.3.1.1 and A203.9.3.1.2

A203.9.3.1.1 Residents capable of responding. Facilities where all residents are capable, without any assistance, of responding to an emergency situation to complete building evacuation shall comply with Section 1102 (Accessible) for at least 4% but not less than one of the units or sleeping rooms. All other dwelling units and sleeping rooms shall comply with Section 1104 (Type B).

A203.9.3.1.2 Residents requiring limited assistance. Facilities with residents requiring limited verbal or physical assistance while responding to an emergency situation to complete building evacuation shall comply with Section 1102 (Accessible) for at least 10% but not less than one of the units or sleeping rooms. All other dwelling and sleeping units shall comply with Section 1104 (Type B).

A203.9.4 Facilities that specialize in mobility conditions. Hospital and rehabilitation facilities that specialize in treatment that affect mobility shall comply with Section 1102 (Accessible) for 100% of the dwelling and sleeping units.

A203.9.5 Residential facilities with residents under restraint. Facilities with buildings and structures that are inhabited by more than five persons who are under restraint or security or who are generally incapable of self-preservation due to security measures not under the occupants' control, shall comply with Section 1102 (Accessible) for at least 3% but not less than one of each type of units or sleeping accommodation. Where special rooms are provided, additional units, complying with Section 1102 (Accessible), shall be provided for each purpose. Such purposes include, but not limited to, orientation, protective custody, detention or segregation, detoxification, or medical isolation.

EXCEPTION: Residential facilities where residents are allowed free movement from sleeping areas and other areas to the exterior are required to comply with Sections A203.9.6.4 and A203.9.6.5.

A203.9.6 Facilities for 6 to 16 residents. Dwelling or sleeping units in buildings, structures or portions thereof for 6 or more persons, but not more than 16 persons, excluding staff, who

reside on a 24-hour basis in a supervised environment and receive custodial care shall comply with Section 1104 (Type B).

A203.9.7 Residential Facilities providing medical care. Medical care and nursing facilities shall comply with Section A203.9.7. Patient sleeping units required to be Accessible units in medical care facilities shall be provided in addition to at least one of each type of specialized isolation or care unit.

A203.9.7.1 Facilities providing medical care for persons who are incapable of self-preservation. Dwelling or sleeping units in buildings or portions thereof used for medical care on a 24-hour basis for more than five persons who are incapable of self-preservation shall comply with Sections A203.9.7.1 and A203.9.7.2.

A203.9.7.2 Facilities providing medical care, long term care, and nursing facilities. Facilities that provide nursing and medical care but do not provide emergency care, surgery, obstetrics or in-patient stabilization units for psychiatric or detoxification, including but not limited to nursing shall comply with Section 1102 (Accessible) for at least 50% but not less than one of the dwelling units or sleeping rooms. All other dwelling and sleeping units shall comply with Section 1104 (Type B).

A203.9.7.3 Facilities providing medical care, emergency services and nursing facilities. Facilities that provide nursing and medical care and could provide emergency care, surgery, obstetrics or in-patient stabilization units for psychiatric or detoxification shall comply with Section 1102 (Accessible) for 10% but not less than one of the dwelling units or sleeping rooms. All other dwelling and sleeping units shall comply with Section 1104 (Type B).

A203.9.8 Residential facilities providing primarily transient lodging. Residential facilities providing primarily transient lodging shall comply with Sections A203.9.8.1 through A203.9.8.5.

A203.9.8.1 Guest rooms with mobility features. Guest rooms with mobility features shall comply Section 1102 and with Table A203.9.8.1

Table A203.9.8.1 Guest Rooms with Mobility Features

| Total Number of Guest Rooms Provided | Minimum Number of Required Rooms Without Roll-in Showers | Minimum Number of Required Rooms With Roll-in Showers | Total Number of Required Rooms |
|---|---|--|---------------------------------------|
| 1 to 25 | 1 | 0 | 1 |

| | | | |
|---------------|---|---|---|
| 26 to 50 | 2 | 0 | 2 |
| 51 to 75 | 3 | 1 | 4 |
| 76 to 100 | 4 | 1 | 5 |
| 101 to 150 | 5 | 2 | 7 |
| 151 to 200 | 6 | 2 | 8 |
| 201 to 300 | 7 | 3 | 10 |
| 301 to 400 | 8 | 4 | 12 |
| 401 to 500 | 9 | 4 | 13 |
| 501 to 1000 | 2 percent of total | 1 percent of total | 3 percent of total |
| 1001 and over | 20, plus 1 for each 100, or fraction thereof, over 1000 | 10, plus 1 for each 100, or fraction thereof, over 1000 | 30, plus 2 for each 100, or fraction thereof, over 1000 |

A203.9.8.2 Guest rooms with communication features. Guest rooms with communication features shall comply Section 1106 and with Table A203.9.8.2

Table A203.9.8.2 Guest Rooms with Communication Features

| Total Number of Rooms Provided | Minimum Number of Required Guest Rooms With Communication Features |
|---------------------------------------|---|
| 2 to 25 | 2 |
| 26 to 50 | 4 |
| 51 to 75 | 7 |
| 76 to 100 | 9 |
| 101 to 150 | 12 |

| | |
|---------------|-----------------------------------|
| 151 to 200 | 14 |
| 201 to 300 | 17 |
| 301 to 400 | 20 |
| 401 to 500 | 22 |
| 501 to 1000 | 5 percent of total |
| 1001 and over | 50, plus 3 for each 100 over 1000 |

A203.9.8.3 Other guest rooms. Guest rooms not required to comply with requirements for mobility or communication features shall have entrances, doors, and doorways providing user passage complying with Section A202.7.2.

A203.9.8.4 Accessible units. Accessible dwelling units and sleeping units shall comply with Section 1102 (Accessible). Where buildings contain more than 50 dwelling units or sleeping units, the number of Accessible units shall be determined per building. Where buildings contain 50 or fewer dwelling units or sleeping units, all dwelling units and sleeping units on a site shall be considered to determine the total number of Accessible units. Accessible units shall be dispersed among the various classes of units.

A203.9.8.5 Facilities with more than 50 beds that provide common use bathing facilities. Facilities with more than 50 beds that provide common use bathing facilities, shall provide at least one roll-in shower with a seat that complies with the relevant provisions of Section 608.2.2. Transfer-type showers are not permitted in lieu of a roll-in shower with a. When separate shower facilities are provided for men and for women, at least one roll-in shower shall be provided for each group.

A203.9.9 Residential facilities where the occupants are primarily permanent in nature. Residential facilities where the occupants are primarily permanent in nature shall comply with Section A203.9.9.

A203.9.9.1 Apartment houses, monasteries, and convents. Type A and Type B units shall be provided in apartment houses, monasteries and convents as required in Sections A203.9.9.9.1.1 and Section A203.9.9.9.1.2. Bedrooms in monasteries and convents shall be counted as sleeping units for the purpose of determining the number of units. Where the sleeping units are grouped into suites, only one sleeping unit in each suite shall count towards the number of required Type A units.

A203.9.9.1.1 Facilities with 20 or more dwelling units or sleeping rooms. Where there are more than 20 dwelling units or sleeping units, at least 2 percent but not less than one of the units shall comply with Section 1103 (Type A). All units on a site

shall be considered to determine the total number of units and the required number of Type A units. Bedrooms in monasteries and convents shall be counted as sleeping units for the purpose of determining the number of units. Where the sleeping units are grouped into suites, only one sleeping unit in each suite shall count towards the number of required Type A units.

A203.9.9.1.2 Facilities with four or more dwelling units or sleeping rooms. Where there are four or more dwelling units or sleeping units in a single structure, every dwelling unit and every sleeping unit intended to be occupied as a residence shall comply with Section 1104 (Type B).

A203.9.9.2 Commercial facilities located in private residences (live/work units).

When a commercial facility is located in a private residence, that portion used exclusively in the operation of the commercial facility or that portion used both for the commercial facility and for residential purposes shall comply with Section A202. The accessible portion of the residence extends to those elements used to enter the commercial facility, including the front sidewalk, if any, the door or entryway, and hallways; and those portions of the residence, interior or exterior, available to or used by employees or visitors of the commercial facility, including restrooms. Where the residence is in a structure of four or more dwelling units intended to be occupied as a residence, the residential portion of the unit shall be a Type A or Type B unit complying with Sections 1103 (Type A) or 1104 (Type B) as required in Sections A203.9.9.1.1 and Section A203.9.9.1.2.

A203.9.9.3 Facilities other than live/work units, apartment houses, monasteries and convents. In facilities other than live/work units, apartment houses, monasteries and convents, the number of Accessible units shall comply with Table A203.9.8.1. All other dwelling units shall comply with Section 1104 (Type B). Bedrooms within congregate living facilities shall be counted as sleeping units for the purpose of determining the number of units. Where the sleeping units are grouped into suites, only one sleeping unit in each suite shall be permitted to count towards the number of required Accessible units.

A203.9.15 Accessible spaces in public or common areas of residential facilities. Rooms and spaces available to the general public or available for use by residents and serving Accessible units, Type A units or Type B units shall comply with Section A202. Accessible spaces shall include toilet and bathing rooms, kitchen, living and dining areas and any exterior spaces, including patios, terraces and balconies.

EXCEPTIONS:

1. Stories and mezzanines exempted by Section A202.3.2.3.
2. Recreational facilities in accordance with Section A203.9.16.
3. Exterior decks, patios or balconies that are part of Type B units and have impervious surfaces, and that are not more than 4 inches (102 mm) below the finished floor level of the adjacent interior space of the unit.

A203.9.16 Recreational facilities serving residential facilities. Recreational facilities serving residential facilities complying with Sections A203.9.16, shall comply with Section A203.9.8.

A203.9.16.1 Recreational facilities serving Accessible units. Where recreational facilities serve Accessible units, every recreational facility of each type serving Accessible units shall be accessible.

A203.9.16.2 Recreational facilities serving Type A and Type B units in a single building. Where recreational facilities serve a single building containing Type A units or Type B units, 25 percent, but not less than one, of each type of recreational facility shall be accessible. Every recreational facility of each type on a site shall be considered to determine the total number of each type that is required to be accessible.

A203.9.16.3 Recreational facilities serving Type A and Type B units in multiple buildings. Where multiple buildings containing Type A units or Type B units on a single site are served by recreational facilities, 25 percent, but not less than one, of each type of recreational facility serving each building shall be accessible. The total number of each type of recreational facility that is required to be accessible shall be determined by considering every recreational facility of each type serving each building on the site.

A203.10 Utility and Storage Facilities

A203.10.1 Utility buildings and facilities. Utility buildings and facilities are not required to comply with this standard other than the following:

1. In agricultural buildings, access is required to paved work areas and areas open to the general public.
2. Private garages or carports that contain required accessible parking.

SECTION A204 EXISTING BUILDING

A204.1 Scope. The provisions of Sections A204.1 through A204.19 apply to maintenance and repair, change of occupancy, additions and alterations to existing buildings, including those identified as historic buildings.

A204.2 Maintenance and repair of facilities. A facility that is constructed or altered to be accessible shall be maintained accessible during occupancy. Required accessible means of egress shall be maintained during construction, demolition, remodeling or alterations and additions to any occupied building.

EXCEPTION: Existing means of egress need not be maintained where approved temporary means of egress and accessible means of egress systems and facilities are provided.

A204.3 Prohibited reduction in accessibility. An alteration that decreases or has the effect of decreasing accessibility of a building, facility or element, thereof, below the requirements for

new construction at the time of the alteration is prohibited. The number of accessible elements need not exceed that required for new construction at the time of alteration.

A204.4 Extent of application. An alteration of an existing facility shall not impose a requirement for greater accessibility than that which would be required for new construction.

A204.5 Change of occupancy. Existing buildings that undergo a change of group or occupancy shall comply with Section A204.6.

EXCEPTION: Type B dwelling or sleeping units required by Section A203.9.1 are not required to be provided in existing buildings and facilities undergoing a change of occupancy in conjunction with alterations where the work area is 50 percent or less of the aggregate area of the building.

A204.6 Additions. Provisions for new construction shall apply to additions. An addition that affects the accessibility to, or contains an area of, a primary function shall comply with the requirements in Section A202.1.

A204.7 Alterations. A facility that is altered shall comply with the applicable provisions in Section A204.7 unless technically infeasible. Where compliance with this section is technically infeasible, the alteration shall provide access to the maximum extent technically feasible.

EXCEPTIONS:

1. The costs of providing the accessible route are not required to exceed 20 percent of the costs of the alterations affecting the area of primary function.
2. This provision does not apply to alterations limited solely to windows, hardware, operating controls, electrical outlets and signs.
3. This provision does not apply to alterations limited solely to mechanical systems, electrical systems, installation or alteration of fire protection systems and abatement of hazardous materials.
4. This provision does not apply to alterations undertaken for the primary purpose of increasing the accessibility of a facility.
5. This provision does not apply to altered areas limited to Type B dwelling and sleeping units.

A204.7.1 Accessible means of egress. Accessible means of egress required by Section A202.4 are not required to be added in existing facilities.

A204.7.2 Alteration of Type A units. The alteration to Type A individually owned dwelling units within a residential facility shall be permitted to meet the provision for a Type B dwelling unit.

A204.7.3 Type B units Type B dwelling or sleeping units required by Section A203.9.1 are not required to be provided in existing buildings and facilities undergoing alterations where the work area is 50 percent or less of the aggregate area of the building.

A204.7.4 Entrances. Where an alteration includes alterations to an entrance that is not accessible, and the facility has an accessible entrance, the altered entrance is not required to

be accessible unless required by Section A204.6. Signs complying with Section A202.16.13.2 shall be provided.

A204.7.5 Elevators. Altered elements of existing elevators shall comply with ASME A17.1. Such elements shall also be altered in elevators programmed to respond to the same hall call control as the altered elevator.

A204.8 Platform lifts. Platform (wheelchair) lifts installed in accordance with ASME A18.1 shall be permitted as a component of an accessible route.

A204.8.1 Platform lifts at Existing Site Constraints. Platform lifts shall be permitted where existing exterior site constraints make use of a ramp or elevator infeasible.

A204.9 Stairways and escalators in existing buildings. Where an escalator or stairway is added where none existed previously and major structural modifications are necessary for installation, an accessible route complying with Section A202.3.2.3 is required between levels served by such escalator or stairway.

A204.9.1 Existing Stairways. In alterations, stairs between levels that are connected by an accessible route shall not be required to comply with 504, except that handrails complying with 505 shall be provided when the stairs are altered. An existing stairway shall not be required to comply with Section 504.2, where the existing space and construction does not allow a reduction in pitch or slope.

A204.10 Accessible dwelling or sleeping units. Where dwelling or sleeping units are being altered or added, the requirements of Section A203.9.1 apply only to the quantity of spaces being altered or added.

A204.10.1 Type A dwelling or sleeping units. Where more than 20 Group R-2 dwelling or sleeping units are being altered or added, the requirements of Section A203.9.1 for Type A units apply only to the quantity of the spaces being altered or added.

A204.10.2 Type B dwelling or sleeping units. Where four or more dwelling or sleeping units are being added, the requirements of Section A203.9.1 for Type B units apply only to the quantity of the spaces being added. Where dwelling or sleeping units are being altered and where the work area is greater than 50 percent of the aggregate area of the building, the requirements of Section xxx for Type B units apply only to the quantity of the spaces being altered.

A204.11 Toilet rooms. Where it is technically infeasible to alter existing toilet to be accessible, one accessible single user toilet room or one accessible family or assisted-use toilet room constructed in accordance with Section A202.10.7 is permitted. This toilet room shall be located on the same floor and in the same area as the existing toilet rooms. At the inaccessible toilet rooms, directional signs indicating the location of the nearest such toilet room shall be provided and shall comply with Section A202.16.

A204.12 Bathing rooms. Where it is technically infeasible to alter existing bathing rooms to be accessible, one accessible single user bathing room or one accessible family or assisted-use bathing room constructed in accordance with Section A202.10.7 is permitted. This accessible bathing room shall be located on the same floor and in the same area as the existing bathing rooms. At the inaccessible bathing rooms, directional signs indicating the location of the nearest such bathing room shall be provided and shall comply with Section A202.16.

A204.13 Dressing, fitting and locker rooms. Where it is technically infeasible to provide accessible dressing, fitting or locker rooms at the same location as similar types of rooms, one accessible room on the same level shall be provided. Where separate-sex facilities are provided, accessible rooms for each sex shall be provided. Separate-sex facilities are not required where only unisex rooms are provided.

A204.14 Amusement rides. Where the structural or operational characteristics of an amusement ride are altered to the extent that the amusement ride's performance differs from that specified by the manufacturer or the original design, the amusement ride shall comply with requirements for new construction in Section A202.16.17.

A204.15 Historic structures. Where compliance with the requirements for accessible routes, entrances or toilet rooms would threaten or destroy the historic significance of the historic structure, as determined by the authority having jurisdiction, the alternative requirements of Sections A204.15.1 through A204.15.3 for that element shall be permitted

EXCEPTION: Accessible means of egress required by Section A202.4 are not required to be provided in historic buildings.

A204.15.1 Site arrival points. Not fewer than one exterior accessible route, including curb ramps from a site arrival point to an accessible entrance shall comply with Section A202.3.2.

A204.15.2 Multiple-level buildings and facilities. An accessible route from an accessible entrance to public spaces on the level of the accessible entrance shall be provided.

A204.15.3 Entrances. Where an entrance cannot be made accessible in accordance with Section A202.7, an accessible entrance that is unlocked while the building is occupied shall be provided; or, a locked accessible entrance with a notification system or remote monitoring shall be provided. Signs complying with Section A202.16 shall be provided at the public entrances and the accessible entrance.

A204.16 Alarms. In existing facilities, visible alarms shall not be required except where an existing fire alarm system is upgraded or replaced, or a new fire alarm system is installed.

A204.17 Altered Check-Out Aisles. Where check-out aisles are altered, at least one of each check-out aisle serving each function shall comply with 904.3 until the number of check-out aisles complies with 227.2.

A204.18 Existing Transportation Facilities

A204.18.1 Key stations. Rapid rail, light rail, commuter rail, intercity rail, high-speed rail and other fixed guideway systems, altered stations, and intercity rail and key stations, as defined under criteria established by the Department of Transportation in Subpart C of 49 CFR Part 37, shall comply with Sections B102.2.1 through B102.2.3.

A204.18.2 Accessible route. At least one accessible route from an accessible entrance to those areas necessary for use of the transportation system shall be provided. The accessible route shall include the features specified in Section A202.3.

EXCEPTION: Where technical unfeasibility in existing stations requires the accessible route to lead from the public way to a paid area of the transit system, an accessible fare collection machine complying with Section 707 shall be provided along such accessible route.

A204.18.3 Direct connections. New direct connections to commercial, retail, or residential facilities shall, to the maximum extent feasible, have an accessible route complying with Section A202.3 from the point of connection to boarding platforms and transportation system elements used by the public. Any elements provided to facilitate future direct connections shall be on an accessible route connecting boarding platforms and transportation system elements used by the public.

EXCEPTION: In key stations and existing intercity rail stations, existing direct connections shall not be required to comply with Section A204.18.3.

A204.19 Acoustics. Existing educational facilities shall comply with Section A204.19.1.

A204.19.1 Enhanced classroom acoustics. Where the *work area* exceeds 50 percent of the building area, enhanced classroom acoustics shall be provided in all classrooms with a volume of 20,000 cubic feet (565 m³) or less. Enhanced classroom acoustics shall comply with the reverberation time in Section 808.

Committee Action: AS AM D

APPENDIX A-HILBERRY.doc

| | | |
|---|-----------------------------------|----------------------------------|
| Report for <i>Appendix A-01-2021</i> | | |
| <i>Committee decision: AS/AM/D</i> | <i>Committee Vote at Meeting:</i> | <i>Committee Vote on Ballot:</i> |
| REPORT OF HEARING: | | |
| Modification (if any): | | |
| Committee Reason: | | |
| PUBLIC COMMENT- FIRST DRAFT: | | |
| Proponent: | | |
| Desired Action: | | |
| Modification: | | |
| Reason: | | |
| <i>Committee decision: AS/AM/D</i> | <i>Committee Vote at Meeting:</i> | <i>Committee Vote on Ballot:</i> |
| REPORT OF HEARING – FIRST DRAFT | | |
| Modification (if any): | | |
| Committee Reason: | | |
| PUBLIC COMMENT- SECOND DRAFT: | | |
| Proponent: | | |
| Desired Action: | | |
| Modification: | | |
| Reason: | | |
| <i>Committee decision: AS/AM/D</i> | <i>Committee Vote at Meeting:</i> | <i>Committee Vote on Ballot:</i> |
| FINAL ACTION: | | |
| Modification (if any): | | |

Report for *Appendix A-01-2021*

Committee Reason:

Appendix A-02 – 2021

A202.9.2.4(New), Table 202.9.2.4(New)

Proponent: Gina Hilberry, Cohen Hilberry Architects, representing United Cerebral Palsy

Add new text as follows:

A202.9.2 Minimum Number. Parking *spaces* complying with Section 502 shall comply with Table 202.9.2 except as required by Sections 202.9.2.1, 202.9.2.2, ~~and~~ 202.9.2.3, and 202.9.2.4. Where more than one parking *facility* is provided on a *site*, the total number of *accessible spaces* provided on the *site* shall be calculated according to the number of *spaces* required for each parking *facility*.

A202.9.2.4 Public parking for recreational vehicles, semi-trailer, tanker, and heavy trucks, and tractor units (cabs). Parking spaces complying with Section 502 shall comply with Table 202.9.2.4. Where more than one parking *facility* is provided on a *site*, the total number of *accessible spaces* provided on the *site* shall be calculated according to the number of *spaces* required for each parking *facility*.

Table 202.9.2.4
Parking Spaces for Recreational Vehicles, Semi-trailer,
Tanker, and Heavy Trucks, and Tractor Units

| <u>Total Number of Parking Spaces Provided in Parking Facility</u> | <u>Minimum Number of Required Accessible Parking Spaces</u> |
|---|--|
| <u>1 to 50</u> | <u>1</u> |
| <u>51 to 100</u> | <u>2</u> |
| <u>101 to 200</u> | <u>3</u> |
| <u>201 and over</u> | <u>3 plus 1 for each 200 additional spaces or fraction thereof</u> |

REASON: This section addresses public parking for over the road trucks and recreational vehicles, it does not change the exception for employee truck and bus lots or vehicular impounds. At these locations, any need for accessible parking can be addressed as needed and members of the public can use the passenger drop-off for short periods.

At truck stops and rest areas that cater to trucks, RVs, and similar vehicles, the drivers and their companions are members of the public and are entitled to be able to stop, eat at the restaurant, and use the available amenities (e.g., the laundry, movie room, or overnight hook-ups). Parking at a passenger drop-off for extended periods would block the use of the drop-off for others and is frequently prohibited.

Truck drivers, RV users, and their companions have the same range of disabilities as the rest of our working population and to some extent, experience higher rates of diabetes, arthritis, and mobility related conditions. In recent years, finding accessible parking for large vehicles has

become more difficult. This proposal seeks to clarify the requirement that parking be provided, while simultaneously recognizing that the required number of spaces is not equal to the number of car/small van spaces that are currently scoped.

Committee Action: AS AM D

A202.9.2-HILBERRY.doc

| | | |
|---|-----------------------------------|----------------------------------|
| Report for <i>Appendix A-02 2021</i> | | |
| <i>Committee decision: AS/AM/D</i> | <i>Committee Vote at Meeting:</i> | <i>Committee Vote on Ballot:</i> |
| REPORT OF HEARING: | | |
| Modification (if any): | | |
| Committee Reason: | | |
| PUBLIC COMMENT- FIRST DRAFT: | | |
| Proponent: | | |
| Desired Action: | | |
| Modification: | | |
| Reason: | | |
| <i>Committee decision: AS/AM/D</i> | <i>Committee Vote at Meeting:</i> | <i>Committee Vote on Ballot:</i> |
| REPORT OF HEARING – FIRST DRAFT | | |
| Modification (if any): | | |
| Committee Reason: | | |
| PUBLIC COMMENT- SECOND DRAFT: | | |
| Proponent: | | |
| Desired Action: | | |
| Modification: | | |
| Reason: | | |
| <i>Committee decision: AS/AM/D</i> | <i>Committee Vote at Meeting:</i> | <i>Committee Vote on Ballot:</i> |
| FINAL ACTION: | | |
| Modification (if any): | | |
| Committee Reason: | | |

Appendix A-03 – 2021

A202.10.1.1(New)

Proponent: Gina Hilberry, Cohen Hilberry Architects representing United Cerebral Palsy

Add new text as follows:

A202.10.1.1 Alternate wheelchair toilet compartments. Where the total number of toilets and urinals provided in a toilet room is 12 or more, at least one alternate wheelchair toilet compartment shall be provided.

REASON: The alternate wheelchair toilet compartment allows for use of the toilet with a forward transfer while maintaining the ability to close door for privacy. Standard wheelchair toilet compartments lack the space required to manage this approach and require the user to leave the door open during use.

UCP was the original proponent for this compartment design and a separate technical revision clarifies the intended design requirements. Forward approach to the toilet fixture is used frequently by people who cannot complete a side transfer due to physical needs or due to equipment limitations.

Scoping for this alternate wheelchair toilet compartment is intended to be limited to toilet facilities serving convention centers, major airports, large educational centers, and similar locations with high occupancy levels. Since the typical 84” deep end toilet compartment is a fairly common design element, this requirement should have relatively minor impact on required floor space. In addition to allowing for privacy and a forward approach to the fixture, the additional space in front of the toilet provides improved space for maneuvering for all people who use mobility assistance devices.

Committee Action: AS AM D

A202.10.1.1-HILBERRY.doc

| Report for Appendix A-03 2021 | | |
|--|-----------------------------------|----------------------------------|
| <i>Committee decision: AS/AM/D</i> | <i>Committee Vote at Meeting:</i> | <i>Committee Vote on Ballot:</i> |
| REPORT OF HEARING: | | |
| Modification (if any): | | |
| Committee Reason: | | |
| PUBLIC COMMENT- FIRST DRAFT: | | |
| Proponent: | | |
| Desired Action: | | |
| Modification: | | |
| Reason: | | |
| <i>Committee decision: AS/AM/D</i> | <i>Committee Vote at Meeting:</i> | <i>Committee Vote on Ballot:</i> |
| REPORT OF HEARING – FIRST DRAFT | | |
| Modification (if any): | | |
| Committee Reason: | | |
| PUBLIC COMMENT- SECOND DRAFT: | | |
| Proponent: | | |
| Desired Action: | | |
| Modification: | | |
| Reason: | | |
| <i>Committee decision: AS/AM/D</i> | <i>Committee Vote at Meeting:</i> | <i>Committee Vote on Ballot:</i> |
| FINAL ACTION: | | |
| Modification (if any): | | |
| Committee Reason: | | |

APPENDIX A-04 – 2021

A202.16.12(New), A202.16.12.1(New), A202.16.12.2 (New)

Proponent: Hansel Bauman, Hansel Bauman Architecture + Planning, representing National Association of the Deaf

Add new text as follows:

A202.16.12 Visual Relay Service (VRS). Identification and directional signs for Visual Relay Service (VRS) shall comply with Sections. A202.16.12.1 and A202.16.12.2.

A202.16.12.1 Identification Signs. VRS booths shall be identified with a sign including the symbol for sign language interpretation complying with Section 703.6.3.5.

A202.16.12.2 Directional Signs. Directional signs indicating the location of the nearest VRS shall be provided at all primary facilities entries, information booths, lobbies and waiting areas. Directional signs shall comply with the visual character requirements in Section 703.2 and shall include the symbol for sign language interpretation complying with Sections 703.5 and 703.6.3.5

REASON: With the addition of VRS booths to scoping the Signage for VRS booths shown here is added to enable wayfinding for deaf and hard of hearing users to locate VRS booths within the public spaces booths are located thus providing greater access.

Staff note: Section 703.6.3.5 does not currently exist. There is a proposal in to add this symbol.

Committee Action: AS AM D

A202.16-BAUMAN.doc

| Report for <i>Appendix A-04 - 2021</i> | | |
|--|-----------------------------------|----------------------------------|
| <i>Committee decision: AS/AM/D</i> | <i>Committee Vote at Meeting:</i> | <i>Committee Vote on Ballot:</i> |
| REPORT OF HEARING: | | |
| Modification (if any): | | |
| Committee Reason: | | |
| PUBLIC COMMENT- FIRST DRAFT: | | |
| Proponent: | | |
| Desired Action: | | |
| Modification: | | |
| Reason: | | |
| <i>Committee decision: AS/AM/D</i> | <i>Committee Vote at Meeting:</i> | <i>Committee Vote on Ballot:</i> |
| REPORT OF HEARING – FIRST DRAFT | | |
| Modification (if any): | | |
| Committee Reason: | | |
| PUBLIC COMMENT- SECOND DRAFT: | | |
| Proponent: | | |
| Desired Action: | | |
| Modification: | | |
| Reason: | | |
| <i>Committee decision: AS/AM/D</i> | <i>Committee Vote at Meeting:</i> | <i>Committee Vote on Ballot:</i> |
| FINAL ACTION: | | |
| Modification (if any): | | |
| Committee Reason: | | |

APPENDIX A-05 – 2021

A202.17.3.2(New)

Proponent: Hansel Bauman, Hansel Bauman Architecture + Planning, representing National Association of the Deaf

Add new text as follows:

A202.17.3.2 Locations. At least one Visual Relay Service (VRS) booth shall be provided in the following facilities:

1. Hospitals
2. Outpatient clinics
3. Student centers at education facilities for students above the 12th grade,
4. Courthouses
5. Jails housing more than 200 detainees
6. Police stations
7. City and county government buildings
8. Public libraries
9. Hub stations for mass transportation
10. Commercial service airports
11. Assembly facilities for viewing an event with seating for more than 1,000
12. Convention centers
13. Museums

REASON: Required locations listed above allow at least one VRS booth to serve as a minimum secondary visual communication “safety-net” device for deaf and hard of hearing individuals in urgent need of two-way visual communication when other means such as access to a sign language interpreter or hand-held device may not be available or functioning do to restricted internet access. Not included are publicly accessed spaces within housing complexes, retail, business, entertainment and other services where building entry and exit does not restrict users from seeking alternative means of communication outside the building boundaries.

Committee Action: AS AM D

A202.17.3-BAUMAN.doc

| Report for Appendix A-05 2021 | | |
|--|-----------------------------------|----------------------------------|
| <i>Committee decision: AS/AM/D</i> | <i>Committee Vote at Meeting:</i> | <i>Committee Vote on Ballot:</i> |
| REPORT OF HEARING: | | |
| Modification (if any): | | |
| Committee Reason: | | |
| PUBLIC COMMENT- FIRST DRAFT: | | |
| Proponent: | | |
| Desired Action: | | |
| Modification: | | |
| Reason: | | |
| <i>Committee decision: AS/AM/D</i> | <i>Committee Vote at Meeting:</i> | <i>Committee Vote on Ballot:</i> |
| REPORT OF HEARING – FIRST DRAFT | | |
| Modification (if any): | | |
| Committee Reason: | | |
| PUBLIC COMMENT- SECOND DRAFT: | | |

Report for *Appendix A-05 2021*

Proponent:

Desired Action:

Modification:

Reason:

Committee decision: AS/AM/D**Committee Vote at Meeting:****Committee Vote on Ballot:****FINAL ACTION:**

Modification (if any):

Committee Reason:

APPENDIX A-06 – 2021

A202.17.4.2 (New)

Proponent: Hansel Bauman, Hansel Bauman Architecture + Planning, representing National Association of the Deaf

Add new text as follows:

A202.17.4.2 Locations. Stages and platforms used for live performance or public speaking shall include a sign language interpreter station complying with Section 802.11. Assembly space with a fixed seating for 50 or more and a platform or stage shall include a sign language interpreter station complying with Section 802.11.

REASON: Clear reception of ASL is more dependent upon background conditions and lighting (like that stipulated by the Sign Language Interpreter Station) than that of distance between the interpreter and receiver (as implied by the measure of capacity). As a result, the threshold of 50 is chosen to provide greater access to a wider range of venues deaf and hard of hearing can attend and depend upon the added clarity the ASL Interpreter Station background provides. Further, the building features required by this standard is reasonably low cost / low impact or easy to achieve.

Committee Action: AS AM D

A202.17.4-BAUMAN.doc

| Report for <i>Appendix A-06 2021</i> | | |
|---|-----------------------------------|----------------------------------|
| Committee decision: AS/AM/D | Committee Vote at Meeting: | Committee Vote on Ballot: |
| REPORT OF HEARING: | | |
| Modification (if any): | | |
| Committee Reason: | | |
| PUBLIC COMMENT- FIRST DRAFT: | | |
| Proponent: | | |
| Desired Action: | | |
| Modification: | | |
| Reason: | | |
| Committee decision: AS/AM/D | Committee Vote at Meeting: | Committee Vote on Ballot: |
| REPORT OF HEARING – FIRST DRAFT | | |
| Modification (if any): | | |
| Committee Reason: | | |
| PUBLIC COMMENT- SECOND DRAFT: | | |
| Proponent: | | |
| Desired Action: | | |
| Modification: | | |
| Reason: | | |
| Committee decision: AS/AM/D | Committee Vote at Meeting: | Committee Vote on Ballot: |
| FINAL ACTION: | | |
| Modification (if any): | | |
| Committee Reason: | | |

Appendix A-07 - 2021

A202.18.2(New)

Proponent: Gina Hilberry, Cohen Hilberry Architects, representing United Cerebral Palsy

Add new text as follows:

A202.18.2 Required charging stations. Assembly areas with spectator seating for 2,000 or more, a charging station shall be provided at least 50% of the wheelchair space locations.

Exception: In bleachers, wheelchair charging stations are not required.

REASON: As part of the construction of Busch Stadium in St. Louis, charging stations were added at every wheelchair space area. These have proven to be useful and critical for fans wanting to stay for long games but who have limited battery capacity for ventilators. Abuse of the outlets has been minimal since they are clearly associated with the accessible seating area although in late fall, an occasional fan who has poor thermoregulation will plug in an electric lap rug.

This proposal is based on the successful implementation of these charging stations at this venue. Since the outlets are not heavily used, it seemed appropriate to reduce the scoping to allow for the occasion need for power by a person using a ventilator or mechanical pump, but not require that they be installed throughout all such facilities.

Committee Action: AS AM D

A202.18.2-HILBERRY.doc

| Report for <i>Appendix A-07 2021</i> | | |
|---|-----------------------------------|----------------------------------|
| <i>Committee decision: AS/AM/D</i> | <i>Committee Vote at Meeting:</i> | <i>Committee Vote on Ballot:</i> |
| REPORT OF HEARING: | | |
| Modification (if any): | | |
| Committee Reason: | | |
| PUBLIC COMMENT- FIRST DRAFT: | | |
| Proponent: | | |
| Desired Action: | | |
| Modification: | | |
| Reason: | | |
| <i>Committee decision: AS/AM/D</i> | <i>Committee Vote at Meeting:</i> | <i>Committee Vote on Ballot:</i> |
| REPORT OF HEARING – FIRST DRAFT | | |
| Modification (if any): | | |
| Committee Reason: | | |
| PUBLIC COMMENT- SECOND DRAFT: | | |
| Proponent: | | |
| Desired Action: | | |
| Modification: | | |
| Reason: | | |
| <i>Committee decision: AS/AM/D</i> | <i>Committee Vote at Meeting:</i> | <i>Committee Vote on Ballot:</i> |
| FINAL ACTION: | | |
| Modification (if any): | | |
| Committee Reason: | | |