

**2017 ICC A117.1 List errata
Sent to Dynice to post 8-8-2023**

106.2.5

Errata A117.1 Chapter 1 – Application and Administration
--

Standard: 2017 A117.1 Standard for Accessible and Usable Buildings and Facilities

Section/Table Number: Section 106.2.5

Applies to following Printings: 1st and 2nd Printing

Posted:

Correction:

106.2.5 Performance Criteria for Accessible Communications Entry Systems.
**[ANSI](#)/DASMA 303-2006. (Door and Access Systems Manufacturers Association, 1300
Sumner Avenue, Cleveland, OH 44115-2851).**

106.2.6

Errata A117.1 Chapter 1 – Application and Administration
--

Standard: 2017 A117.1 Standard for Accessible and Usable Buildings and Facilities

Section/Table Number: Section 106.2.6

Applies to following Printings: 1st and 2nd Printing

Posted:

Correction:

106.2.6 Power Assist and Low Energy Power Operated Doors. [ANSI/BHMA A156.19-2013](#) (Builders Hardware Manufacturers' Association, 355 Lexington Avenue, 15th Floor, New York, NY 10017).

106.2.8

Errata A117.1 Chapter 1 – Application and Administration
--

Standard: 2017 A117.1 Standard for Accessible and Usable Buildings and Facilities

Section/Table Number: Section 106.2.8

Applies to following Printings: 1st and 2nd Printing

Posted:

Correction:

106.2.8 Safety Code for Elevators and Escalators. ASME ~~A17.1-2013/CSA-B44-16~~ ~~A17.1 201/CSA-B44-2016~~ (American Society of Mechanical Engineers International, Three Park Avenue, New York, NY 10016-5990).

304.3.1.1.1

Errata A117.1 Chapter 3

Standard: 2017 A117.1 Standard for AccessibleFacilities

Section/Table Number: Section 304.3.1.1.1

Applies to following Printings: 1st Printing

Posted: 10/20/17

Correction:

304.3.1.1.1 Overlap. Turning spaces shall be permitted to include knee and toe clearance complying with Section 306. Where the turning space includes knee and toe clearances under an obstruction, the overlap shall comply with all of the following:

1. The depth of the overlap shall not be more than 10 inches (255 mm), and
2. The depth shall not exceed the depth of the knee and toe clearances provided, and
3. The overlap shall be permitted only within the turning circle area shown shaded in Figure 304.3.1.

304.3.1.1.1

Errata A117.1 Chapter 3 – Building Blocks

Standard: 2017 A117.1 Standard for Accessible and Usable Buildings and Facilities

Section/Table Number: Section 304.3.1.1.1

Applies to following Printings: 1st and 2nd Printing

Posted: 12-17-2021

Correction:

304.3.1.1.1 Overlap. Turning spaces shall be permitted to include knee and toe clearance complying with Section 306. Where the turning space includes knee and toe clearances under an obstruction, the overlap shall comply with all of the following:

1. The depth of the overlap shall not be more than 10 inches (255 mm), and
2. The depth shall not exceed the depth of the knee and toe clearances provided, and
3. The overlap shall be permitted only within the turning circle area shown shaded in Figure ~~304.3.1~~ 304.3.1.1.

304.3.2.2

Errata A117.1 Chapter 3

Standard: 2017 A117.1 Standard for AccessibleFacilities

Section/Table Number: Figure 304.3.2.2

Applies to following Printings: 1st Printing

Posted: 10/20/17

Correction:

Revise figure title as follows:

T-SHAPED TURNING SPACE ~~NEW~~ EXISTING BUILDINGS – SIZE ~~AND OVERLAP~~

403.5.2.1

Errata A117.1 Chapter 4

Standard: 2017 A117.1 Standard for AccessibleFacilities

Section/Table Number: Section 403.5.2.1

Applies to following Printings: 1st Printing

Posted: 10/20/17

Correction:

403.5.2.1 New buildings and facilities. In new buildings and facilities, where an accessible route makes a 180 degree turn around an object that is equal to or greater than 52 inches (1320 mm) in width, the clear widths in the turn shall comply with Section ~~403.5.1.403.5.3.1~~. Where an accessible route makes a 180 degree turn around an object that is less than 52 inches (1320 mm) ~~inches~~ in width, the clear widths approaching the turn, during the turn and leaving the turn, shall be one of the following sets of dimensions:

Portions not shown are unchanged

404.2.3.2

Errata	A117.1 Chapter 4 – Accessible Routes
---------------	---

Standard: 2017 A117.1 Standard for AccessibleFacilities

Section/Table Number: Table 404.2.3.2

Applies to following Printings: 1st Printing

Posted: 7/9/18

Correction:

Table 404.2.3.2—Maneuvering Clearances at Manual Swinging Doors and Gates

TYPE OF USE		MINIMUM MANEUVERING CLEARANCES AT MANEUAL SWINGING DOORS	
Approach Direction	Door or Gate Side	Perpendicular to Doorway	Parallel to Doorway (beyond latch unless noted)
From front	Pull	60 inches (1525 mm)	18 inches (455 mm)
From front	Push	52 inches (1320 mm) ^{4 5}	0 inches (0 mm) ³
From hinge side	Pull	60 inches (1525 mm)	36 inches (915 mm)
From hinge side	Pull	54 inches (1370 mm)	42 inches (1065 mm)
From hinge side	Push	42 inches (1065 mm) ¹	22 inches (560 mm) ^{3, 4}
From latch side	Pull	48 inches (1220 mm) ²	24 inches (610 mm)
From latch side	Push	42 inches (1065 mm) ²	24 inches (610 mm)

1. Add 6 inches (150 mm) if closer and latch provided.

2. Add 6 inches (150 mm) if closer provided.

~~3. Add 12 inches (305 mm) beyond latch if closer and latch provided.~~

~~3- 4.~~ Beyond hinge side.

~~4- 5.~~ In existing buildings and facilities, the dimension perpendicular to the door or gate for the front direction on the push side shall be 48 inches (1220 mm).

In addition, the margin marks indicating change should be located:

A. Next to table line 2 which has 'From front' and 'Push' in the first 2 cells.

B. Next to table line 5 which has 'From hinge side' and 'Push' in the first 2 cells.

C. Next to only footnote 5.

404.2.3.2(G)

Errata A117.1 Chapter 4 – Accessible Routes

Standard: 2017 A117.1 Standard for Accessible ...Facilities

Section/Table/Figure Number: Figure 404.2.3.2 (G)

Applies to following Printings: 1st Printing

Posted: 7/9/18

Correction:

The second 'if' is changed to 'is' in the asterisk note.

*54 min (1370) if closer is provided

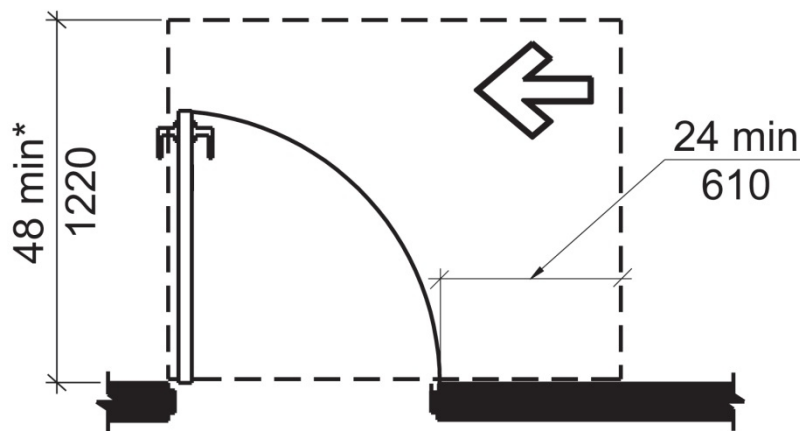


Figure 404.2.3.2(G)
MANEUVERING CLEARANCE AT MANUAL SWINGING DOORS
LATCH APPROACH – PULL SIDE

Table 405.2

Errata A117.1 Chapter 4 – Accessible Route
--

Standard: 2017 A117.1 Standard for Accessible and Usable Buildings and Facilities

Section/Table Number: Table 405.2

Applies to following Printings: 1st and 2nd Printing

Posted: 12-17-2021

Correction:

TABLE 405.2—ALLOWABLE RAMP DIMENSIONS FOR CONSTRUCTION IN EXISTING SITES, BUILDINGS AND FACILITIES

Slope¹	Maximum Rise
Steeper than 1:10 but not steeper than 1:8	3 inches (75 mm)
Steeper than 1:12 but not steeper than 1:10	6 inches (150 mm)

¹A slope steeper than 1:8 shall not be permitted.

505.1

Errata	A117.1 Chapter 5 – General Site and Building Elements
---------------	--

Standard: 2017 A117.1 Standard for AccessibleFacilities

Section/Table Number: Section 505.1

Applies to following Printings: 1st and 2nd Printing

Posted: 8-3-2023

Correction:

505.1 General. Handrails required by Section 405.8 for ramps, Section ~~504.6~~ 504.7 for stairs, Section ~~1004.3.3~~ 1009.3.3 for pool sloped entries and Section 1009.6.2 for pool stairs shall comply with Section 505.

506.2

Errata	A117.1 Chapter 5 – General Site and Building Elements
---------------	--

Standard: 2017 A117.1 Standard for AccessibleFacilities

Section/Table Number: Section 506.2

Applies to following Printings: 1st Printing

Posted: 10/20/17

Correction:

506.2 Operating force. The operating force for windows includes forces for opening, closing, locking or latching, and unlocking or unlatching and shall be determined in accordance with AAMA 513 listed in Section ~~106.2.13~~. 106.2.11 Operable parts for locking or latching and unlocking or unlatching shall comply with Section 309. The operating force for opening and closing operable windows shall be as follows:

Portions not shown are unchanged"

604.7.1

Errata A117.1 Chapter 6

Standard: 2017 A117.1 Standard for Accessible ...Facilities

Section/Table Number: Section 604.7.1

Applies to following Printings: 1st and 2nd Printing

Posted: 8-3-2023

Correction:

604.7.1 Location. Where the dispenser is located above the grab bar, the outlet of the dispenser shall be located within an area 24 inches (610 mm) minimum and 36 inches (915 mm) maximum from the rear wall. Where the dispenser is located below the grab bar, the outlet of the dispenser shall be located within an area 24 inches (610 mm) minimum and 42 inches (1065 mm) maximum from the rear wall. The outlet of the dispenser shall be located 18 inches (455 mm) minimum and 48 inches (1220 mm) maximum above the floor.

Exception: Toilet paper dispensers that accommodate a maximum of 2 toilet paper rolls of not more than 5-inch (125 mm) diameter each shall be permitted to be located 7 inches (180 mm) minimum and 9 inches (230 mm) maximum in front the of the water closet measured to the centerline of the dispenser. The outlet of the dispenser shall be 15 inches (380 mm) minimum and 48 inches (1220 mm) maximum above the floor.

607.4.1(A)

Errata A117.1 Chapter 6 – Plumbing Elements and Facilities

Standard: 2017 A117.1 Standard for AccessibleFacilities

Section/Table/Figure Number: Figure 607.4.1(A)

Applies to following Printings: 1st Printing

Posted: 7/9/18

Correction:

The base of the line indicating the location of the 33-36 inch measurement has been raised to the top of the floor beneath the tub.

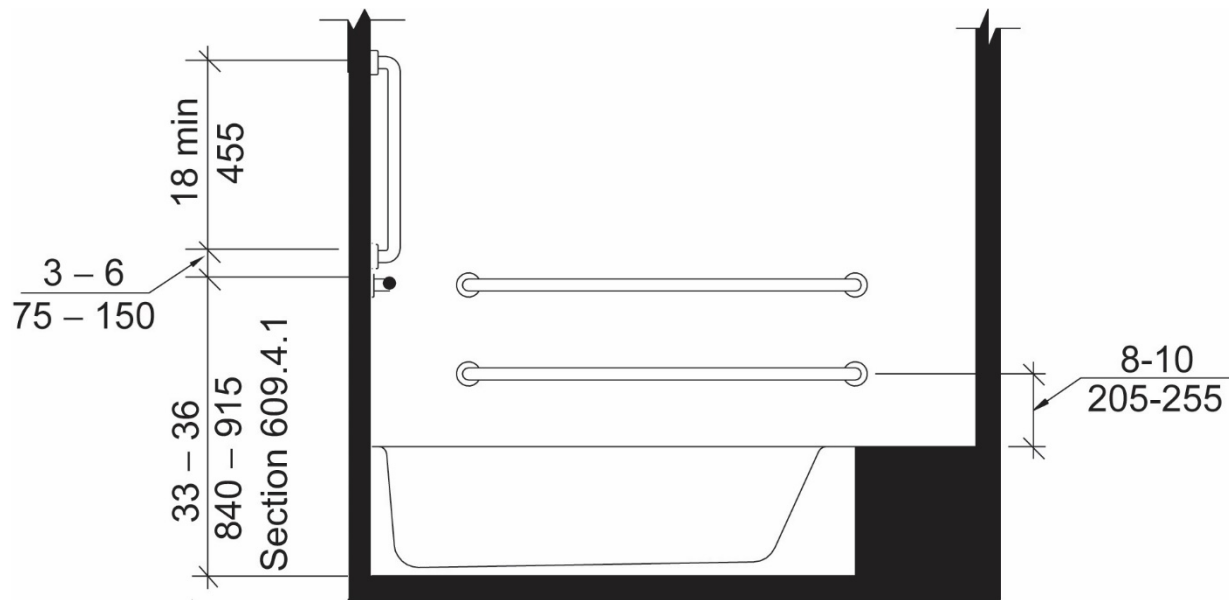


FIGURE 607.4.1(A)
GRAB BARES FOR BATHTUBS WITH SEAT AT HEAD END OF TUB - ELEVATION

607.4.2(A)

Errata A117.1 Chapter 6 – Plumbing Elements and Facilities

Standard: 2017 A117.1 Standard for Accessible ...Facilities

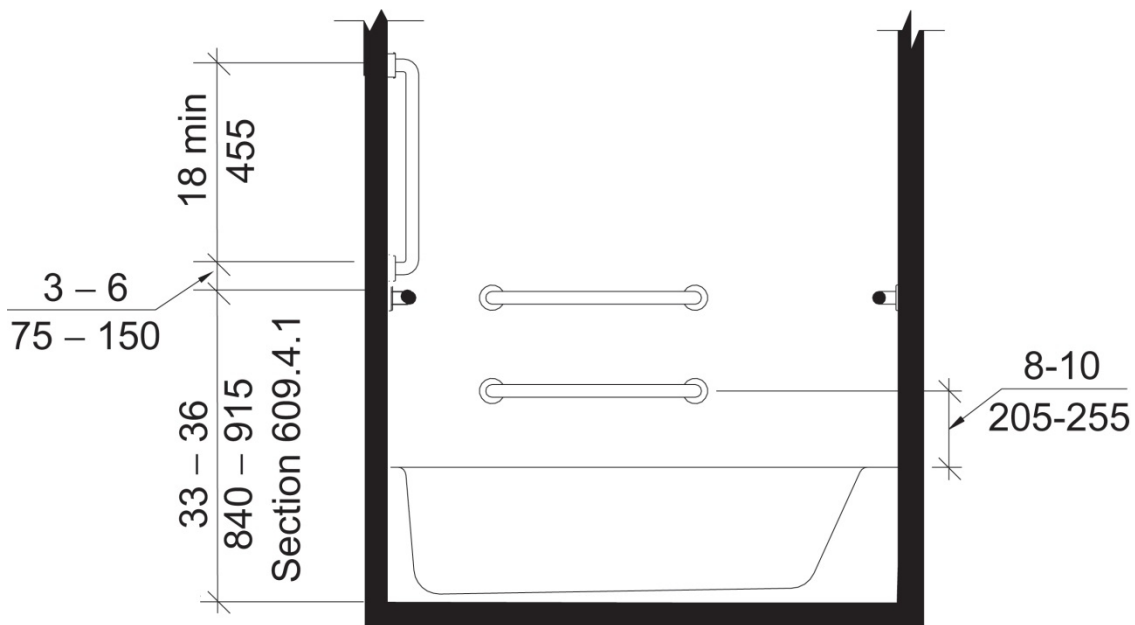
Section/Table/Figure Number: Figure 607.4.2(A)

Applies to following Printings: 1st Printing

Posted: 7/9/18

Correction:

The base of the line indicating the location of the 33-36 inch measurement has been raised to the top of the floor beneath the tub.



608.2.1.1

Errata A117.1 Chapter 6 – Plumbing Elements and Facilities

Standard: 2017 A117.1 Standard for Accessible ...Facilities

Section/Table Number: Figure 608.2.1.1

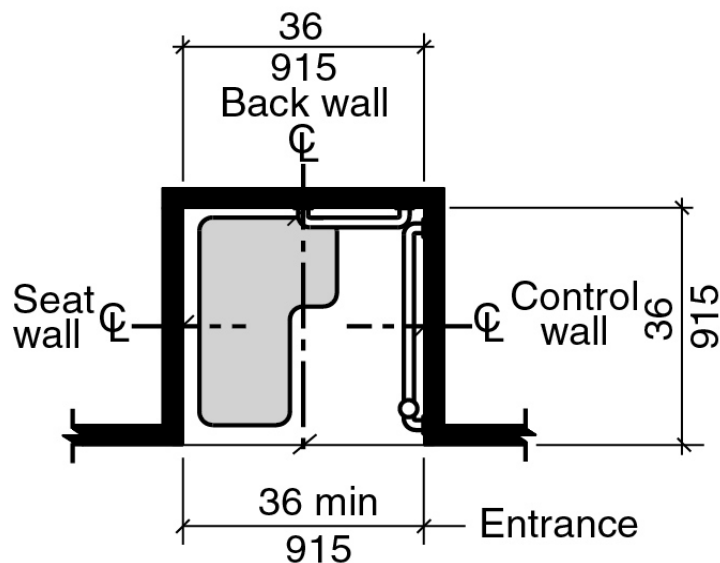
Applies to following Printings: 1st Printing

Posted: 10/20/17

Correction:

In 2 places '36 min' to just 36. (At the very top and the far right side of the figure.

Corrected figure is below



Note: inside finished dimensions measured at the center points of opposing sides

Figure 608.2.3.1

Errata A117.1 Chapter 6 – Plumbing Elements and Facilities

Standard: 2017 A117.1 Standard for Accessible and Usable Buildings and Facilities

Section/Table Number: Figure 608.2.3.1

Applies to following Printings: 1st and 2nd Printing

Posted: 12-17-2021

Correction: “36 min.” for shower depth has “min” deleted. Drawing show is corrected

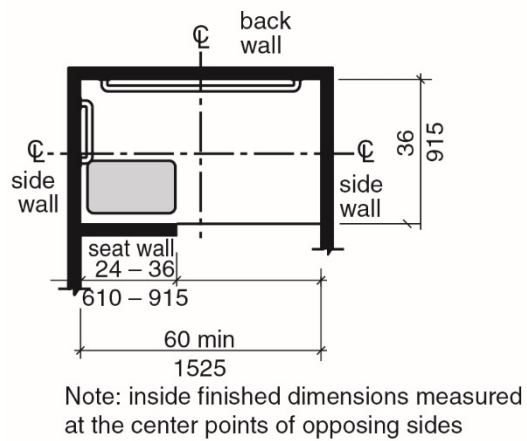


Figure 608.2.3.1

Alternate Roll-in-type Shower Compartment Size

608.3.1(A)

Errata A117.1 Chapter 6 – Plumbing Elements and Facilities

Standard: 2017 A117.1 Standard for AccessibleFacilities

Section/Table/Figure Number: Figure 608.3.1(A)

Applies to following Printings: 1st Printing

Posted: 7/9/18

Correction:

The base of the line indicating the location of the 33-36 inch measurement has been raised to the top of the floor of the shower.

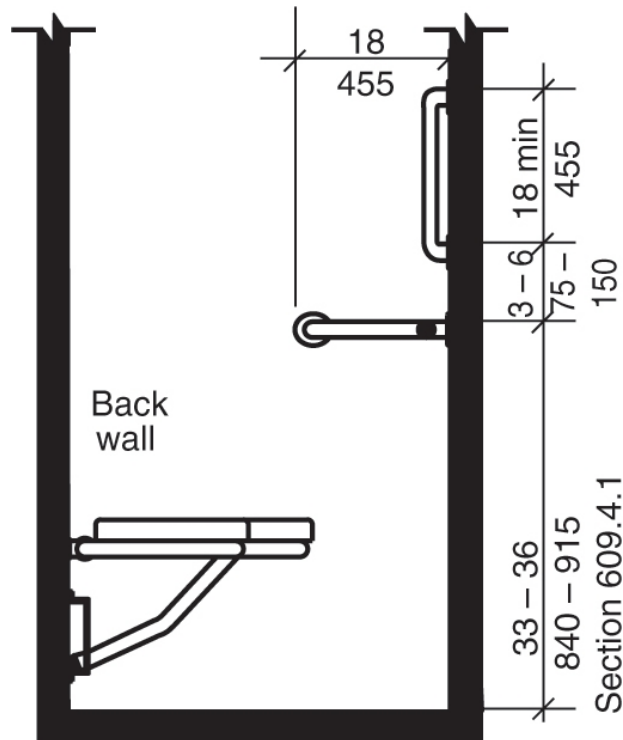


FIGURE 608.3.1(A)
GRAB BARS IN TRANSFER-TYPE SHOWER – ELEVATION

608.3.2(A)

Errata A117.1 Chapter 6 – Plumbing Elements and Facilities

Standard: 2017 A117.1 Standard for AccessibleFacilities

Section/Table/Figure Number: Figure 608.3.2(A)

Applies to following Printings: 1st Printing

Posted: 7/9/18

Correction:

The base of the line indicating the location of the 33-36 inch measurement has been raised to the top of the floor of the shower.

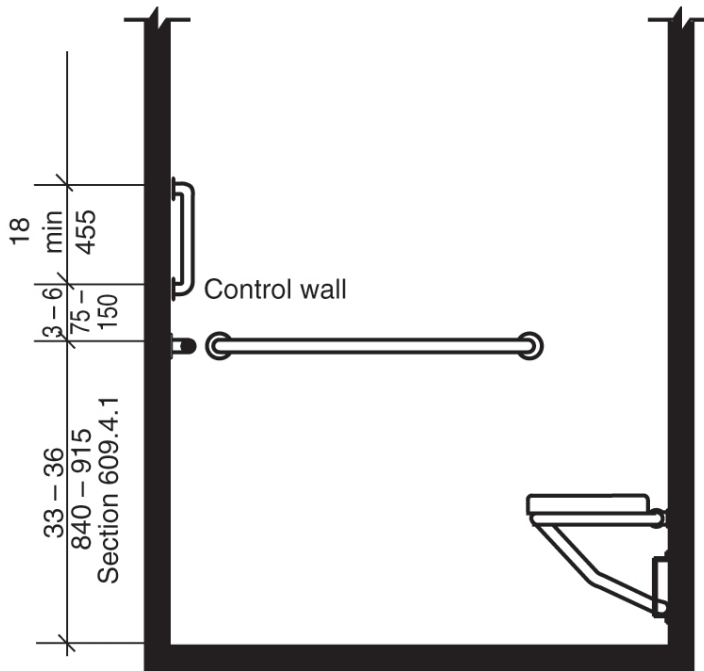


FIGURE 608.3.2(A)
GRAB BARS IN STANDARD ROLL-IN-TYPE SHOWER
ELEVATION

608.3.3(A)

Errata A117.1 Chapter 6 – Plumbing Elements and Facilities

Standard: 2017 A117.1 Standard for AccessibleFacilities

Section/Table/Figure Number: Figure 608.3.3(A)

Applies to following Printings: 1st Printing

Posted: 7/9/18

Correction:

The abbreviation 'max' is removed from the 33-36 measurement.

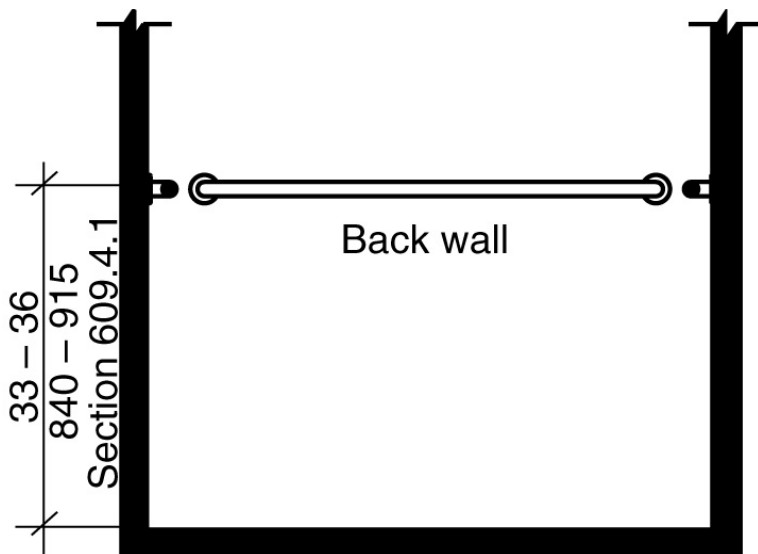


FIGURE 608.3.3(A)
GRAB BARS IN ALTERNATE ROLL-IN-TYPE SHOWER
ELEVATION

608.4.2

Errata	A117.1 Chapter 6 – Plumbing Elements and Facilities
---------------	--

Standard: 2017 A117.1 Standard for Accessible ...Facilities

Section/Table Number: Section 608.4.2

Applies to following Printings: 1st Printing

Posted: 10/20/17

Correction:

608.4.2 Standard roll-in showers. In standard roll-in showers, the controls and hand shower shall not be located above the seat. Controls and hand showers shall be located according to the following:

1. On the back wall,
2. At a height 38 inches (965 mm) minimum and 48 inches (1220 mm) maximum above the shower floor, and
3. 16 inches (405 mm) minimum and 27 inches (685 mm) maximum from the wall behind the seat.

608.4.3

Errata	A117.1 Chapter 6 – Plumbing Elements and Facilities
---------------	--

Standard: 2017 A117.1 Standard for Accessible ...Facilities

Section/Table Number: Section 608.4.3, Figure 608.4.3(A)

Applies to following Printings: 1st and 2nd printing

Posted: 8/2/2023

Correction:

608.4.3 Alternate roll-in showers. In alternate roll-in showers, the controls and hand shower shall be located

1. At a height of 38 inches (965 mm) minimum and 48 inches (1220 mm) maximum above the shower floor, and
2. Where the controls and hand shower are located on the ~~end side~~ wall adjacent to the seat, the controls and hand shower shall be 16 inches (405 mm) minimum and 27 inches (685 mm) maximum from the wall behind the seat wall, or
3. Where the controls and hand shower are located on the back wall opposite the seat, the controls and hand shower shall be located within 15 inches (380 mm) maximum from the centerline of the seat toward the transfer space.

Figure 608.4.3 (A)

ALTERNATE ROLL-IN-TYPE SHOWER CONTROLS AND HAND SHOWER LOCATION – ~~END SIDE~~ WALL – ELEVATION

Figure 608.4.3 (B)

ALTERNATE ROLL-IN-TYPE SHOWER ONTROLS AND HAND SHOWER LOCATION – ~~CONTROL~~ ~~BACK~~ WALL - ELEVATION

609.3

Errata A117.1 Chapter 6 – Plumbing Elements and Facilities

Standard: 2017 A117.1 Standard for AccessibleFacilities

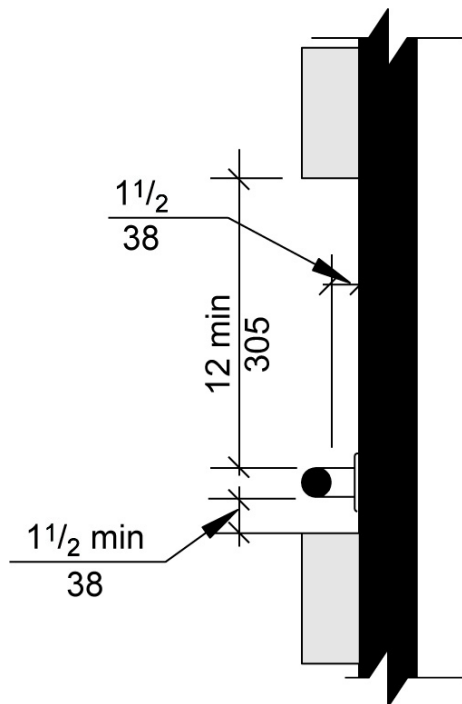
Section/Table/Figure Number: Figure 609.3

Applies to following Printings: 1st Printing

Posted: 7/9/18

Correction:

The abbreviation 'min' has been removed from the 1-1/2 inch measurement between the grab bar and the wall.



**FIGURE 609.3
SPACING OF GRAB BARS**

705.5.4

Errata	A117.1 Chapter 7 – Communication Elements and Features
---------------	---

Standard: 2017 A117.1 Standard for Accessible and Usable Buildings and Facilities

Section/Table Number: Section 705.5.4

Applies to following Printings: 1st and 2nd Printing

Posted: 12-17-2021

Correction:

705.5.4 Alignment. Truncated domes shall be aligned in a square or radial grid pattern.

802.5.1

Errata	A117.1 Chapter 8
---------------	-------------------------

Standard: 2017 A117.1 Standard for AccessibleFacilities

Section/Table Number: Section 802.5.1

Applies to following Printings: 1st Printing

Posted: 10/20/17

Correction:

802.5.1 Overlap. A wheelchair space location shall not overlap the required width of an aisle.

Exception: In new buildings and facilities, the depth of a wheelchair space shall be permitted to overlap the required aisle width a maximum of 4 inches (100 mm).

Also:

Add 'change indicator' **margin bar** to be adjacent to the complete exception

802.9.2.2

Errata	A117.1 Chapter 8 – Special rooms and areas
---------------	---

Standard: 2017 A117.1 Standard for Accessible and Usable Buildings and Facilities

Section/Table Number: Table 802.9.2.2

Applies to following Printings: 1st and 2nd Printing

Posted: 12-17-2021

Correction: Add footnote 5 to title

TABLE 802.9.2.2⁵
REQUIRED WHEELCHAIR SPACE LOCATION ELEVATION OVER STANDING
SPECTATORS

904.3

Errata A117.1 Chapter 9

Standard: 2017 A117.1 Standard for AccessibleFacilities

Section/Table Number: Figure 904.3B

Applies to following Printings: 1st Printing

Posted: 10/20/17

Correction:

Figure is corrected to show **minimum counter width** for both forward and parallel approaches

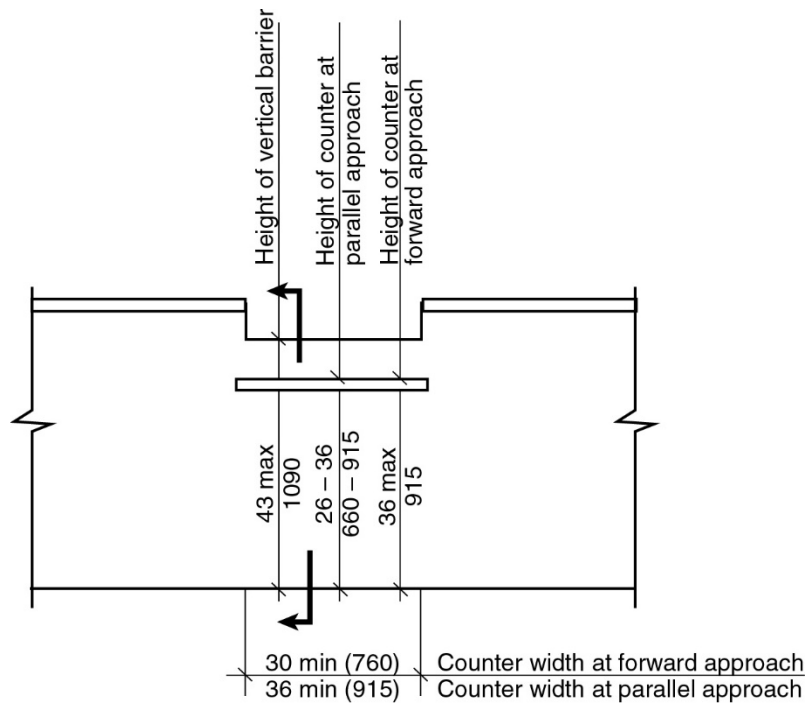


FIGURE 904.3(B)
SALES AND SERVICE COUNTERS - ELEVATION

1005.3

Errata	A117.1 Chapter 10 – RECREATIONAL FACILITIES
---------------	--

Standard: 2017 A117.1 Standard for Accessible and Usable Buildings and Facilities

Section/Table Number: 1005.3

Applies to following Printings: 1st and 2nd Printing

Posted: 12-17-2021

Correction:

1005.3 Railings. Where provided along the perimeter of fishing piers or platforms, railings, guards or handrails shall comply with Section ~~1005.2~~ 1005.3.

1008.4.1.3.2

Errata	A117.1 Chapter 10 – RECREATIONAL FACILITIES
---------------	--

Standard: 2017 A117.1 Standard for Accessible and Usable Buildings and Facilities

Section/Table Number: 1008.4.1.3.2

Applies to following Printings: 1st and 2nd Printing

Posted: 8-3-2023

Correction:

1008.4.1.3.2 Use zones. Ground surfaces located within use zones shall comply with ASTM F 1292 listed in Section ~~106.2.10~~ 106.2.12.

1103.9

Errata A117.1 Chapter 11

Standard: 2017 A117.1 Standard for Accessible ...Facilities

Section/Table Number: Section 1103.9

Applies to following Printings: 1st Printing

Posted: 10/20/17

Correction:

1103.9 Operable Parts. Lighting controls, electrical panelboards, electrical switches and receptacle outlets, environmental controls, appliance controls, ~~operating hardware for operable windows~~, plumbing fixture controls, and user controls for security or intercom systems shall comply with Section 309.

Also:

Add 'change indicator' **margin bar** to be adjacent to the complete section

1103.12.1.2

Errata A117.1 Chapter 11

Correction to Errata:

Standard: 2017 A117.1 Standard for AccessibleFacilities

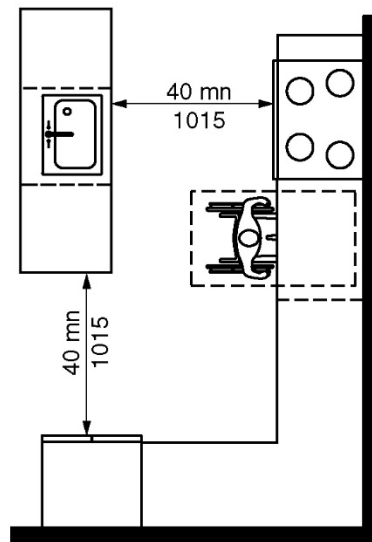
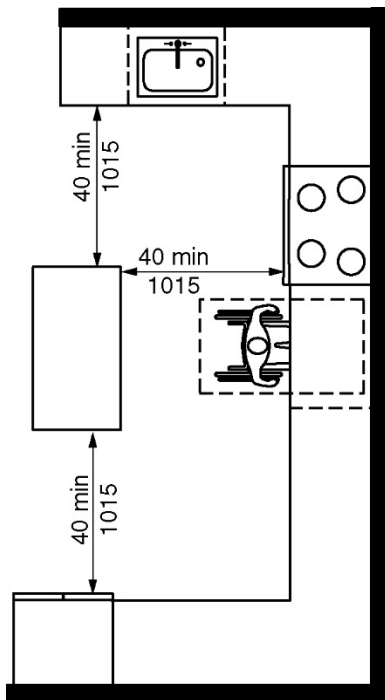
Figure Number: Section 1103.12.1.2 (B)

Applies to following Printings: 1st Printing

Posted: 1/5/18

Correction:

Replace Figure 1103.12.1.2(B) as follows:



1104.4.1

Errata A117.1 Chapter 11

Correction to Errata:

Standard: 2017 A117.1 Standard for AccessibleFacilities

Section/Table Number: Section 1104.4.1

Applies to following Printings: 1st Printing

Posted: 10/20/17

Correction:

1104.4.1 Clear Width. Clear width of an accessible route shall comply with Section 403.5.

Exceptions

Exceptions not shown are unchanged.

5. An accessible route with a clear width less than 60 inches (1525 mm) shall provide passing spaces at intervals of 200 feet (61 m) maximum. Passing spaces shall be either a 60-inch (1525 mm) minimum by 60-inch (1525 mm) minimum space, or an intersection of two walking surfaces that provide a T-shaped turning space complying with Section ~~304.2.2~~ 304.3.2.2, provided the base and arms of the T-shaped space extend 48 inches (1220 mm) minimum beyond the intersection.

1104.11.1

Errata	A117.1 Chapter 11
---------------	--------------------------

Correction to Errata:

Standard: 2017 A117.1 Standard for AccessibleFacilities

Section/Table Number: Section 1104.11.1

Applies to following Printings: 1st Printing

Posted: 1/5/18

Correction:

1104.11.1 Grab bar and shower seat reinforcement. Reinforcement shall be provided for the future installation of grab bars and shower seats at water closets, bathtubs, and shower compartments. Where walls are located to permit the installation of grab bars and seats complying with Section 604.5 at water closets; grab bars complying with Section 607.4 at bathtubs; and for grab bars and shower seats complying with Sections, 608.3, 608.2.1.3, 608.2.2.3 and 608.2.3.2 at shower compartments; reinforcement shall be provided for the future installation of grab bars and seats complying with those requirements.

Items (1-5 and 7) not shown are unchanged.

6. At water closets where a side wall is not available for a 42-inch (1065 mm) grab bar complying with Section 604.5.1 reinforcement for two swing-up grab bars complying with Section ~~1004.11.1.1~~ 1104.11.1.1 shall be permitted to be installed in lieu of reinforcement for rear wall and side wall grab bars.

1104.11.3.1.3.3

Errata A117.1 Chapter 11 – Dwelling and Sleeping units

Standard: 2017 A117.1 Standard for Accessible and Usable Buildings and Facilities

Section/Table Number: Figure 1104.11.3.1.3.3(B)

Applies to following Printings: 1st and 2nd Printing

Posted: 12-17-2021

Correction:

The left side of the line indicating the 44 inch measurement has been relocated to indicate the inside dimension of the shower.

